

[54] DENTAL ACCESSORY CABINET

[76] Inventor: Marvin Cutler, 220 E. 60th St., New York, N.Y. 10022

[**] Term: 14 Years

[21] Appl. No.: 35,761

[22] Filed: May 3, 1979

[51] Int. Cl. D24-02

[52] U.S. Cl. D24/10; D24/31

[58] Field of Search D24/10, 16, 29, 31; 433/25

[56] References Cited

U.S. PATENT DOCUMENTS

D. 248,109 6/1978 Ball D24/31

Primary Examiner—T. Tung
Attorney, Agent, or Firm—Ladas & Parry

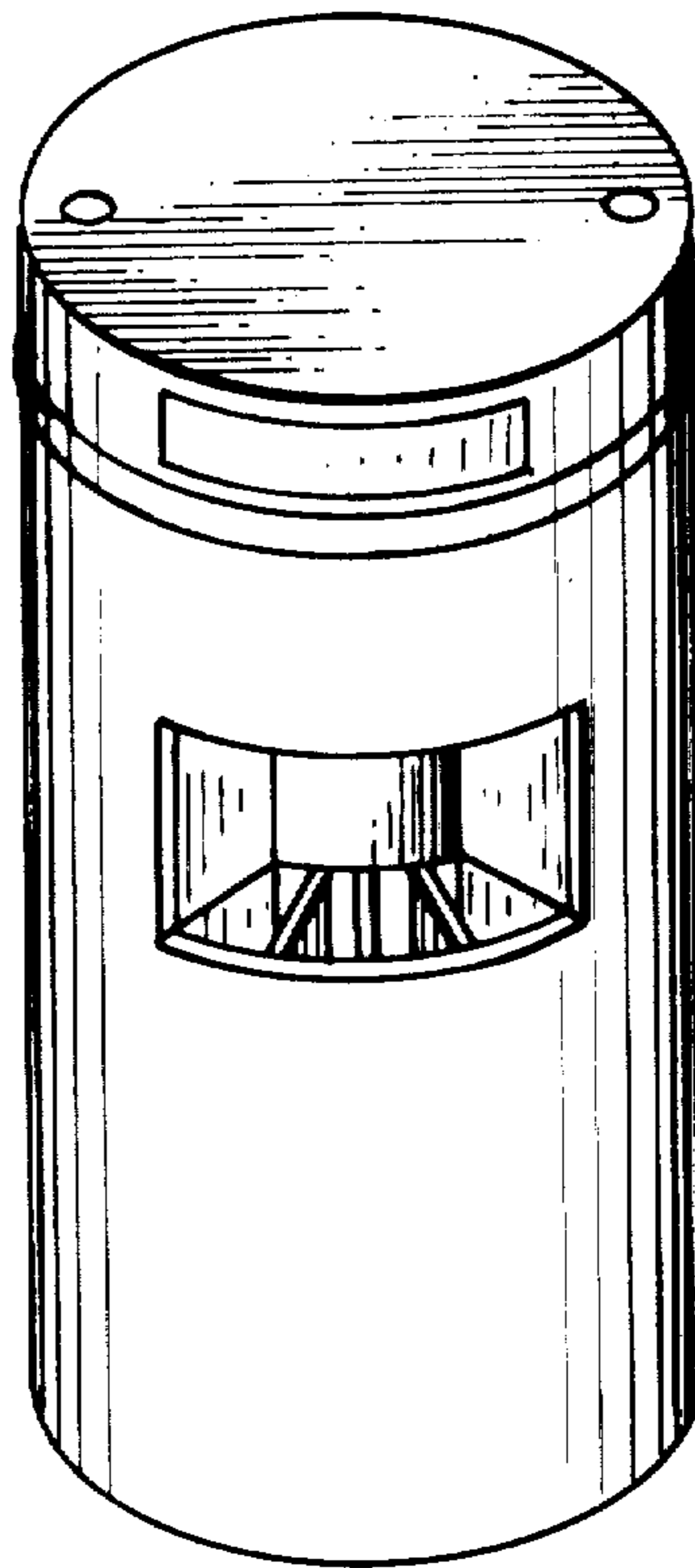
[57] CLAIM

The ornamental design for a dental accessory cabinet, as shown and described.

DESCRIPTION

FIG. 1 is a perspective front elevation; FIG. 2 is a perspective rear elevation with the top portion hinged away from the main body; FIG. 3 is a rear elevation; FIG. 4 is a left hand side elevation, the right hand side elevation being substantially a mirror image; and FIG. 5 is a plan view.

Details of the underview do not form any part of the present design. The cylindrical surface may carry gauges and switches (not shown) which do not form a part of the present design.



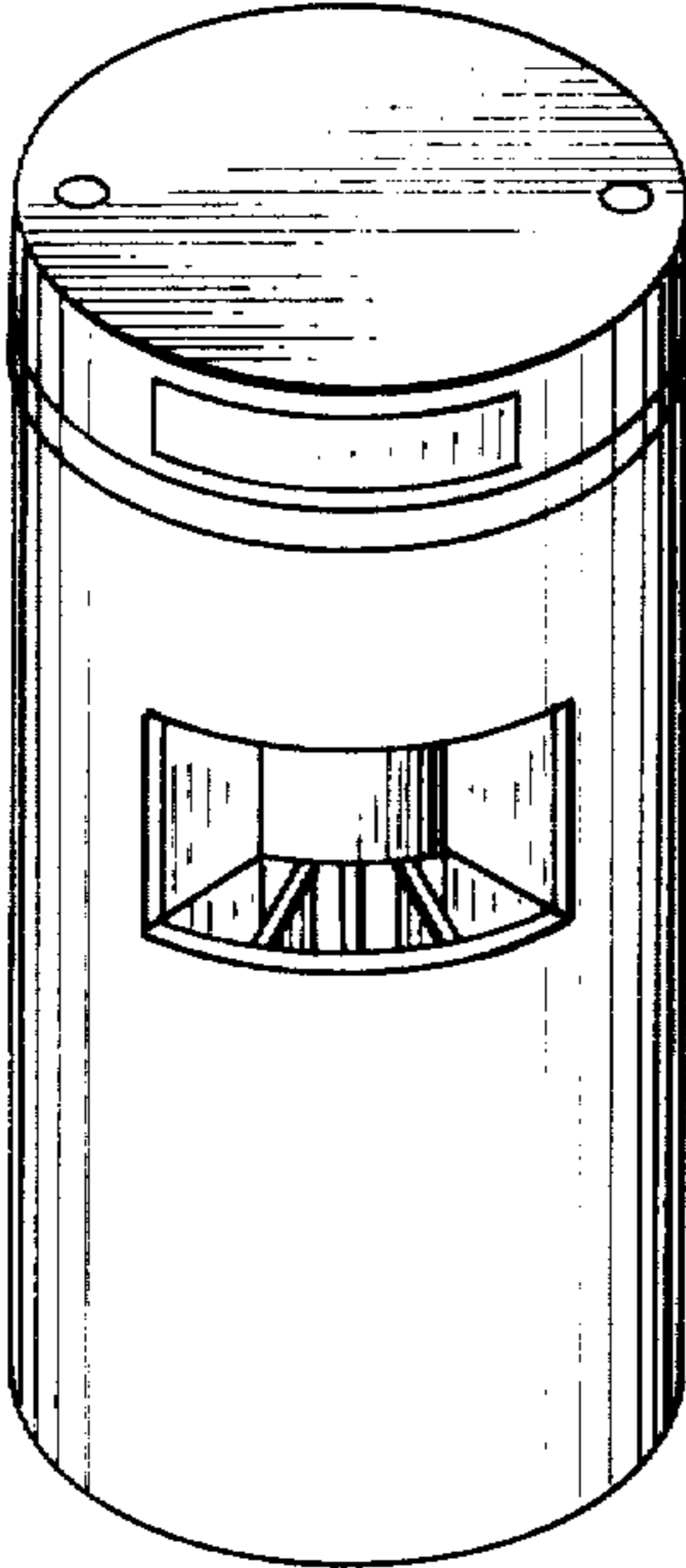


FIG. 1

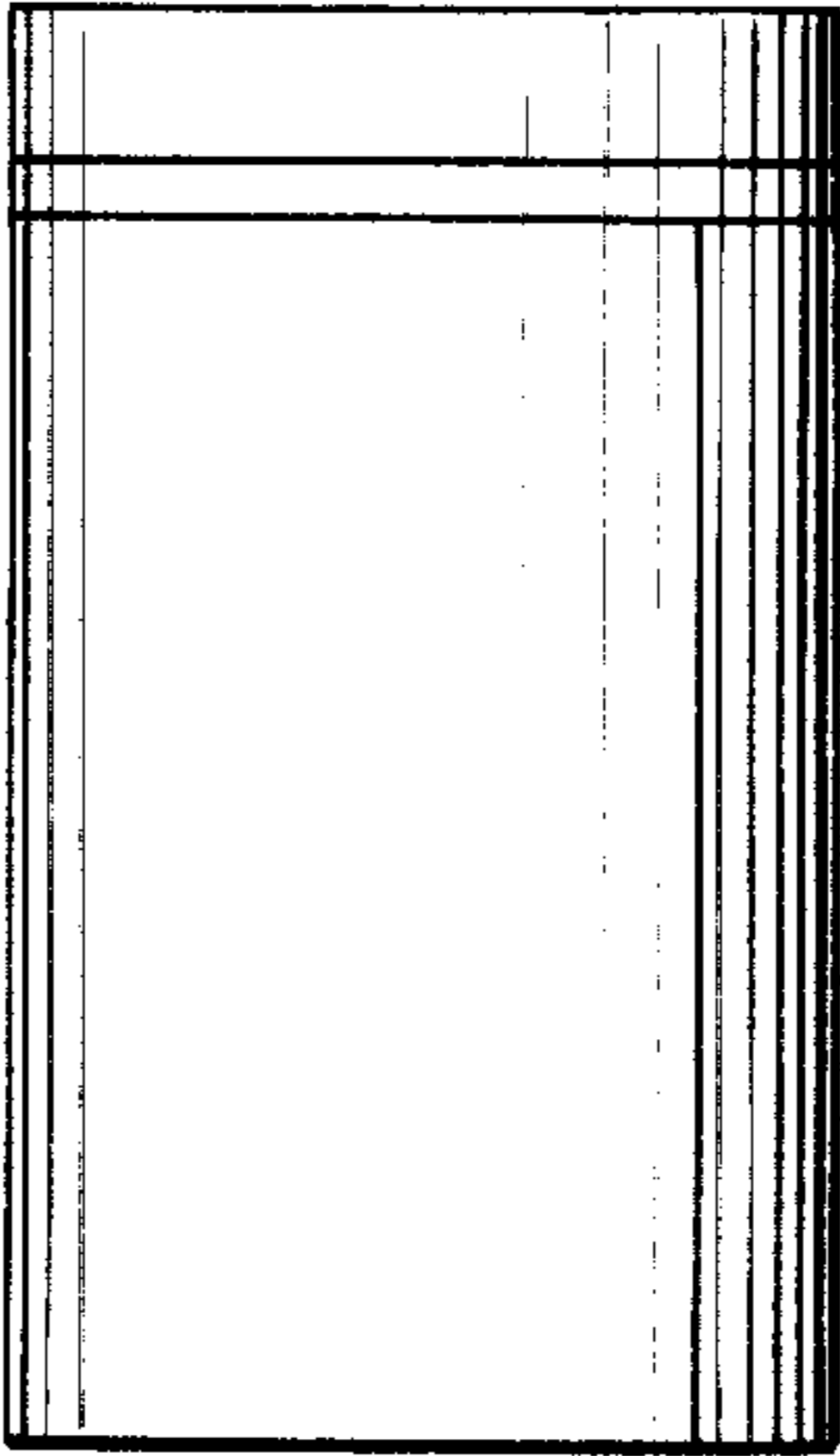


FIG. 3

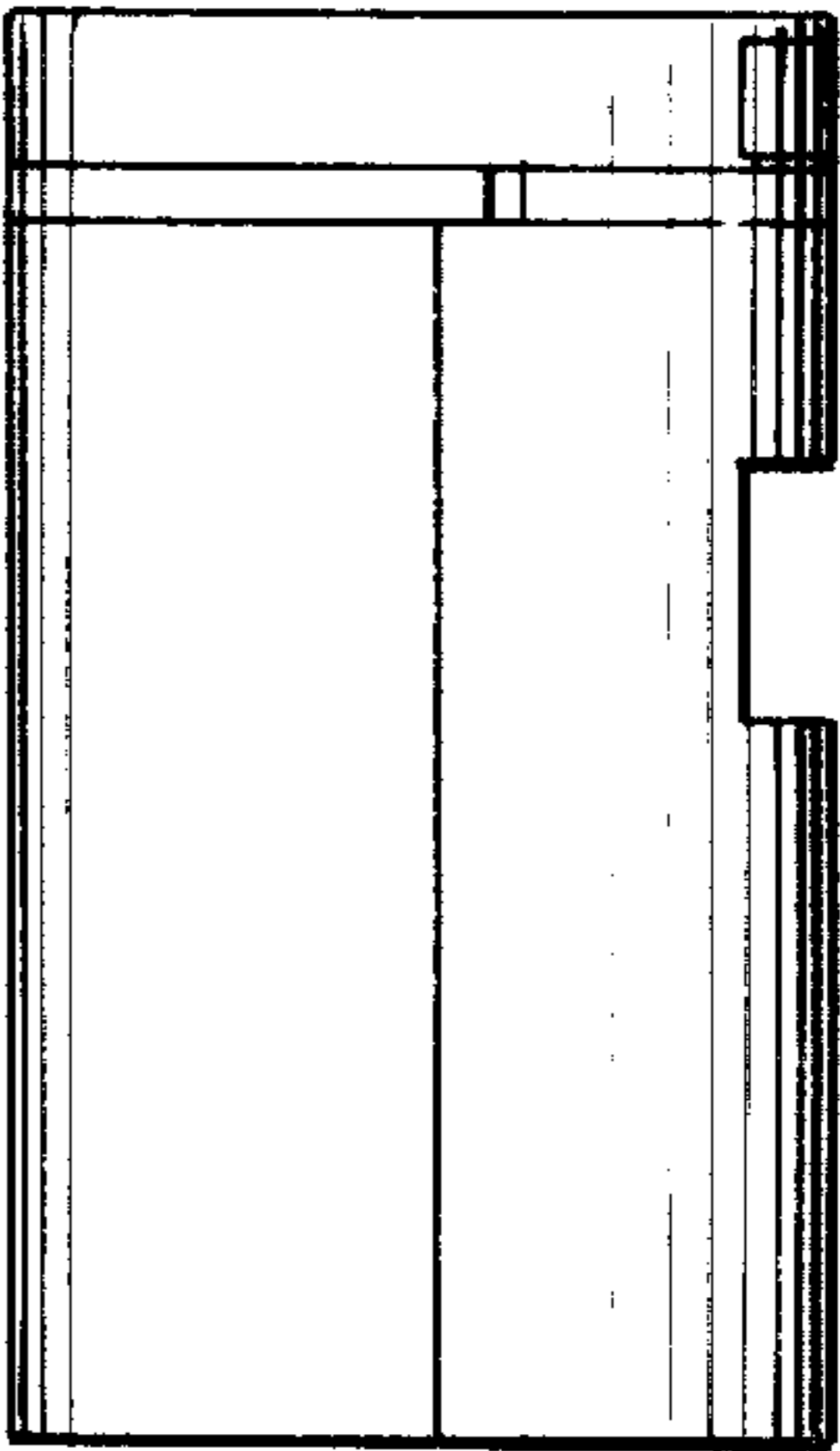


FIG. 4

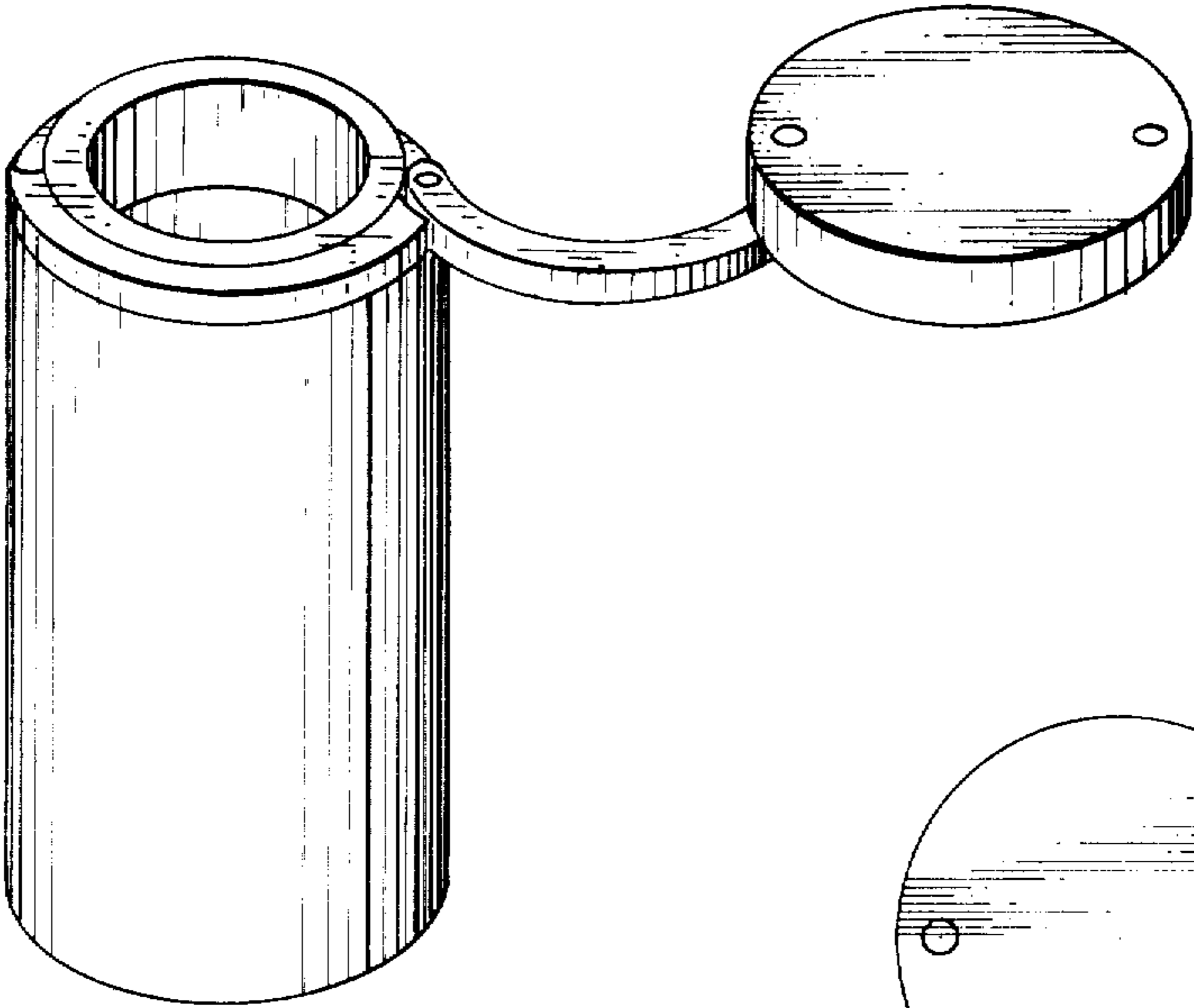


FIG. 2

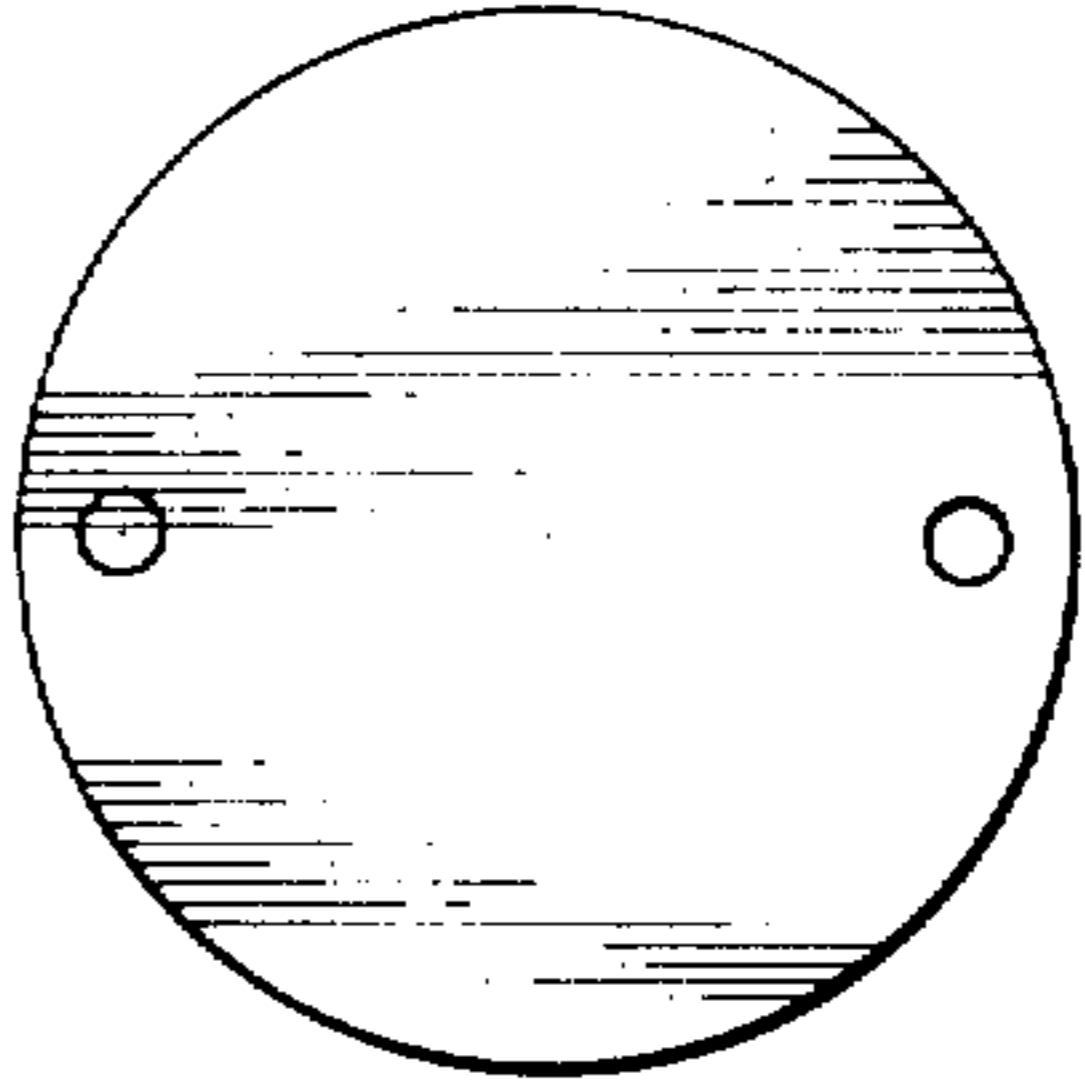


FIG. 5