

[54] FIRE COMBUSTOR

[76] Inventor: **Dennis K. Dewhurst**, 1265 Palmetto Ave., Chico, Calif. 95926

[\*\*] Term: **14 Years**

[21] Appl. No.: **65,111**

[22] Filed: **Aug. 9, 1979**

[51] Int. Cl. .... **D7-08**

[52] U.S. Cl. .... **D23/161; D23/162**

[58] Field of Search ..... **D23/92-97, D23/127, 161, 162; 126/120, 121, 135, 251 B**

2,322,016 6/1943 Hardeman ..... 237/51  
 4,066,061 1/1978 Wolford ..... 126/135  
 4,111,181 9/1978 Canney ..... 126/77  
 4,140,101 2/1979 Glover ..... 126/110 B

*Primary Examiner*—Catherine E. Kemper  
*Attorney, Agent, or Firm*—Blair, Brown & Kreten

[56] **References Cited**  
**U.S. PATENT DOCUMENTS**

D. 181,608 12/1957 Rowley ..... D23/162  
 D. 192,622 4/1962 Allen, Jr. .... D23/162  
 2,258,882 10/1941 Craig ..... 126/121

[57] **CLAIM**

The ornamental design for a fire combustor, substantially as shown and described.

**DESCRIPTION**

FIG. 1 is a side view of a fire combustor, showing my new design;  
 FIG. 2 is a top plan view thereof;  
 FIG. 3 is a front plan view thereof;  
 FIG. 4 is a rear plan view thereof; and  
 FIG. 5 is a bottom plan view thereof.  
 The electrical cord has been omitted in FIGS. 2-5 for ease of illustration.

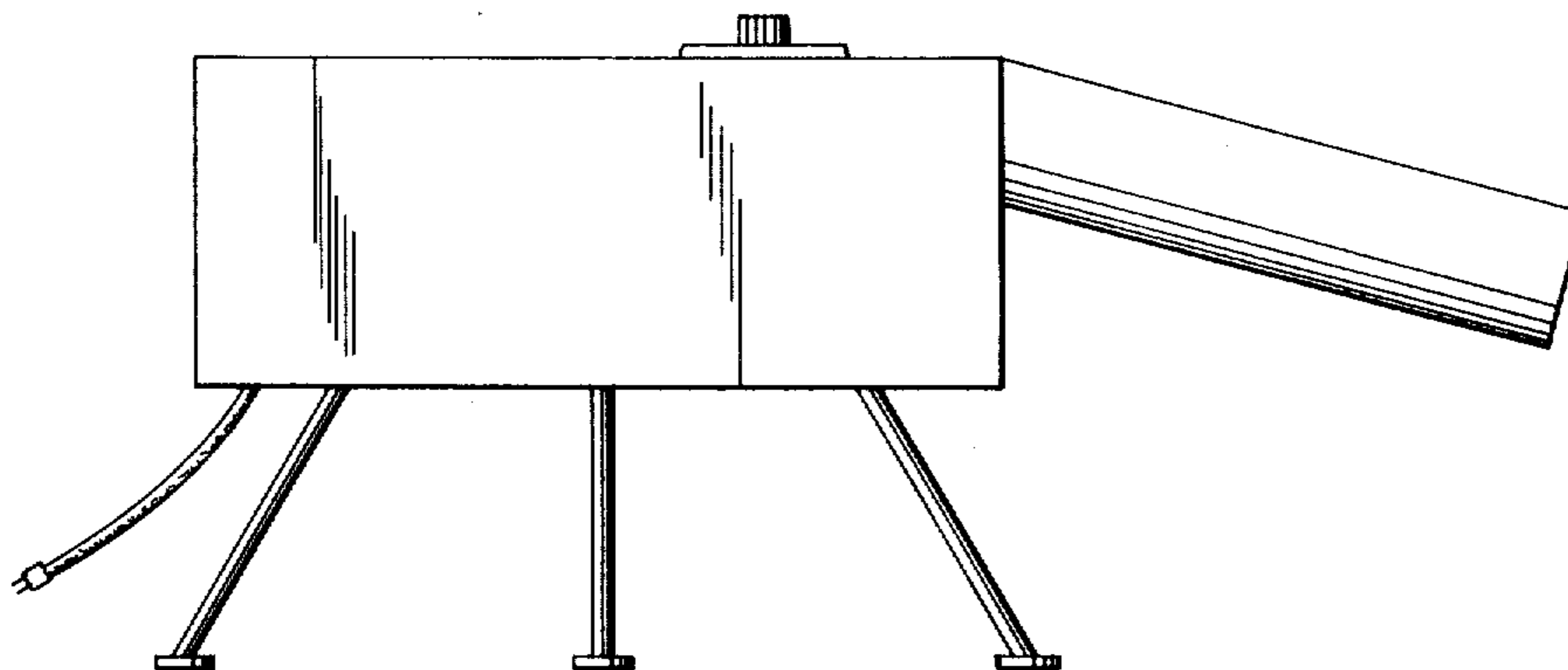


FIG. 1

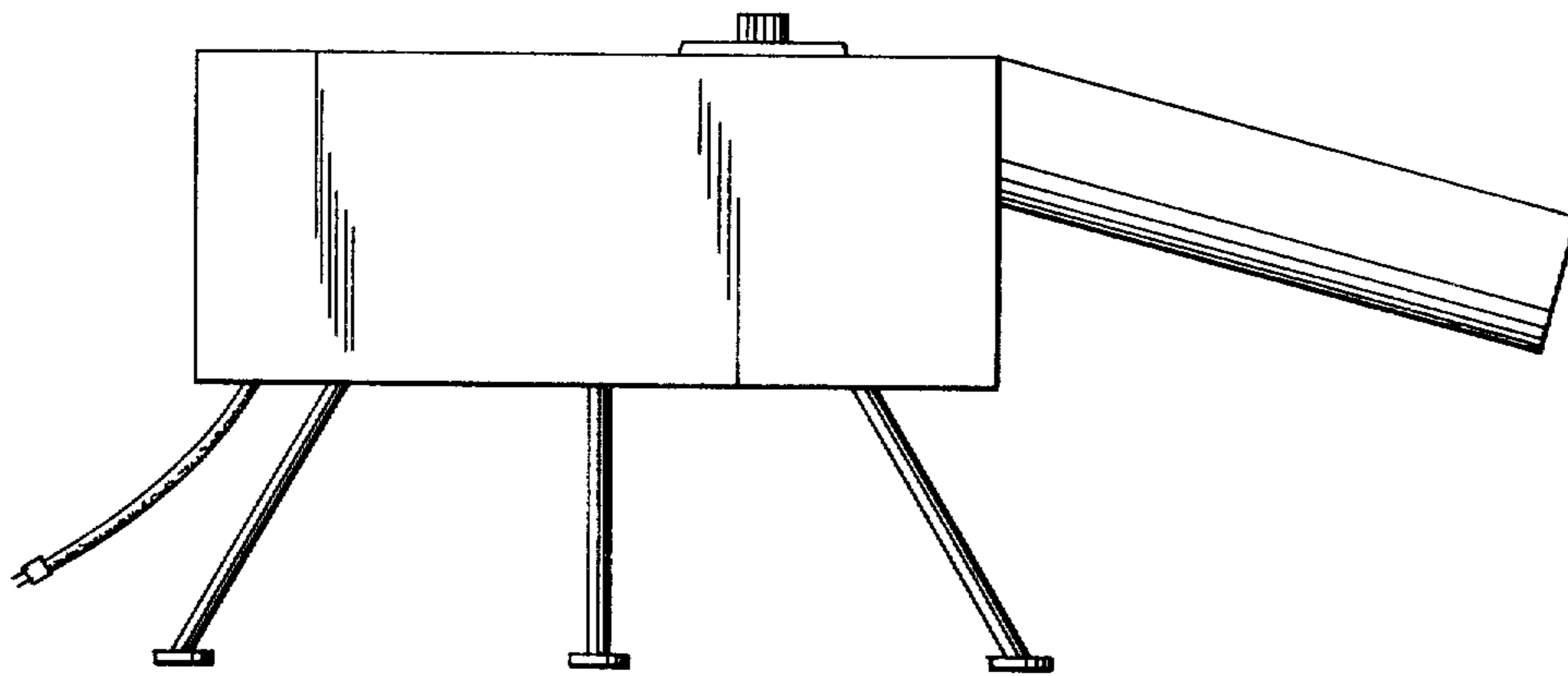


FIG. 2

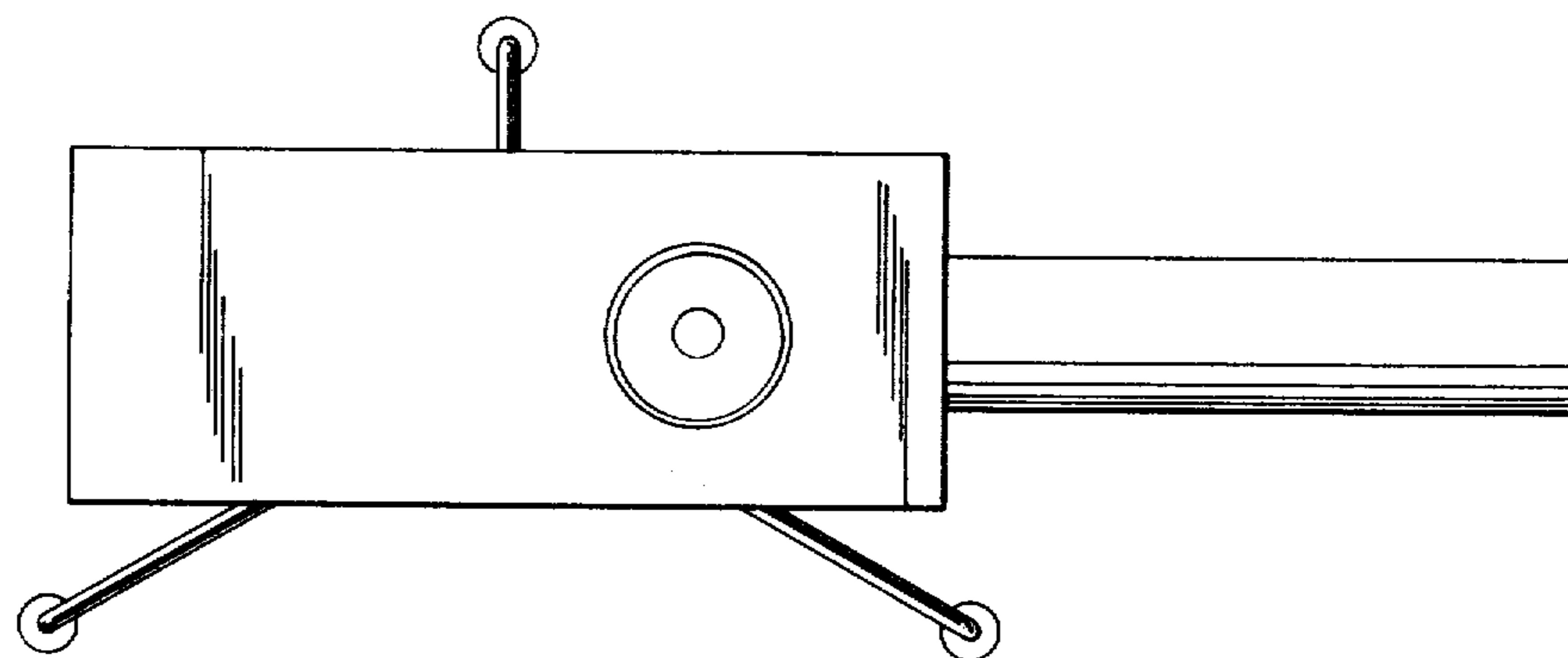


FIG. 3

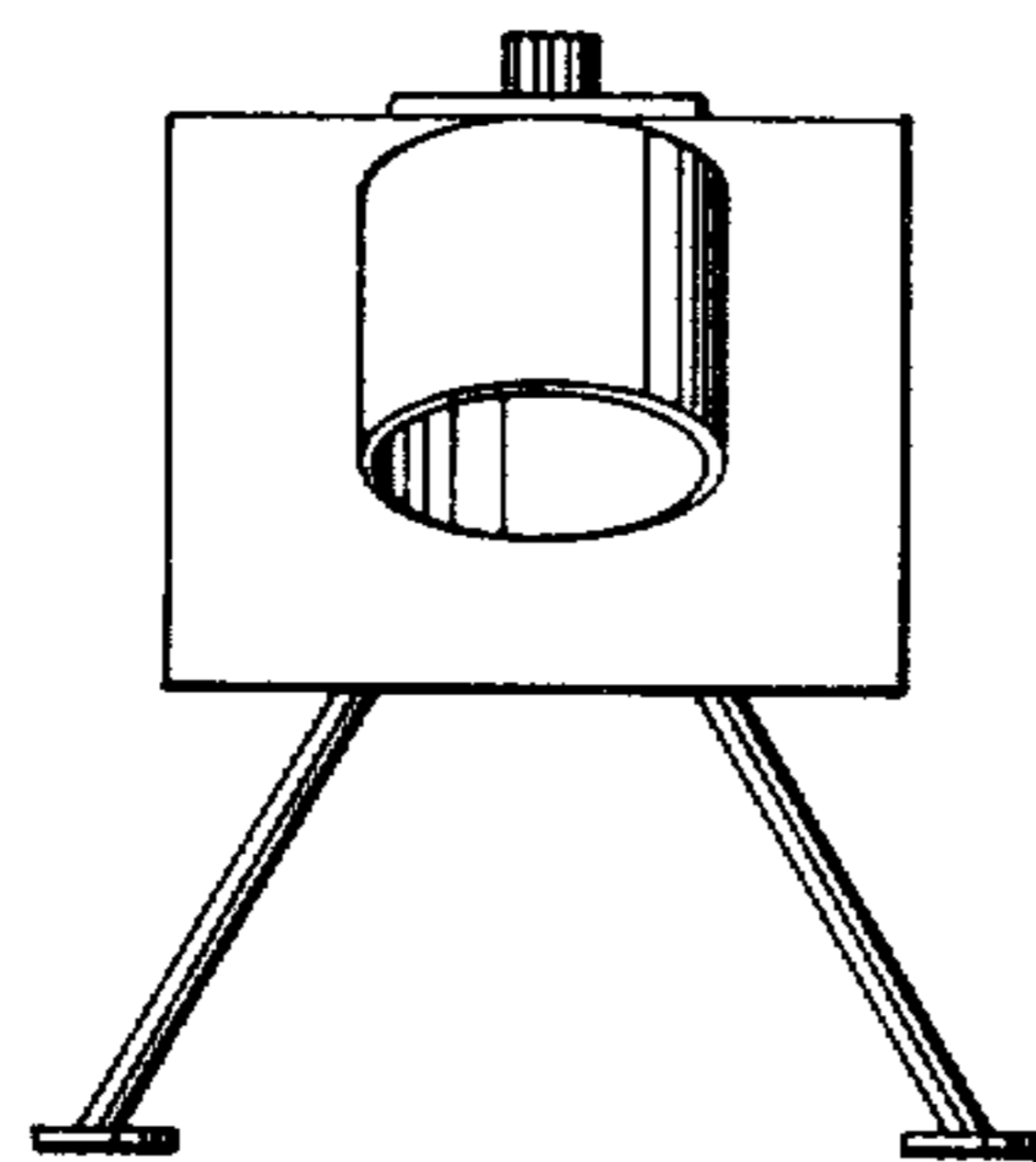


FIG. 4

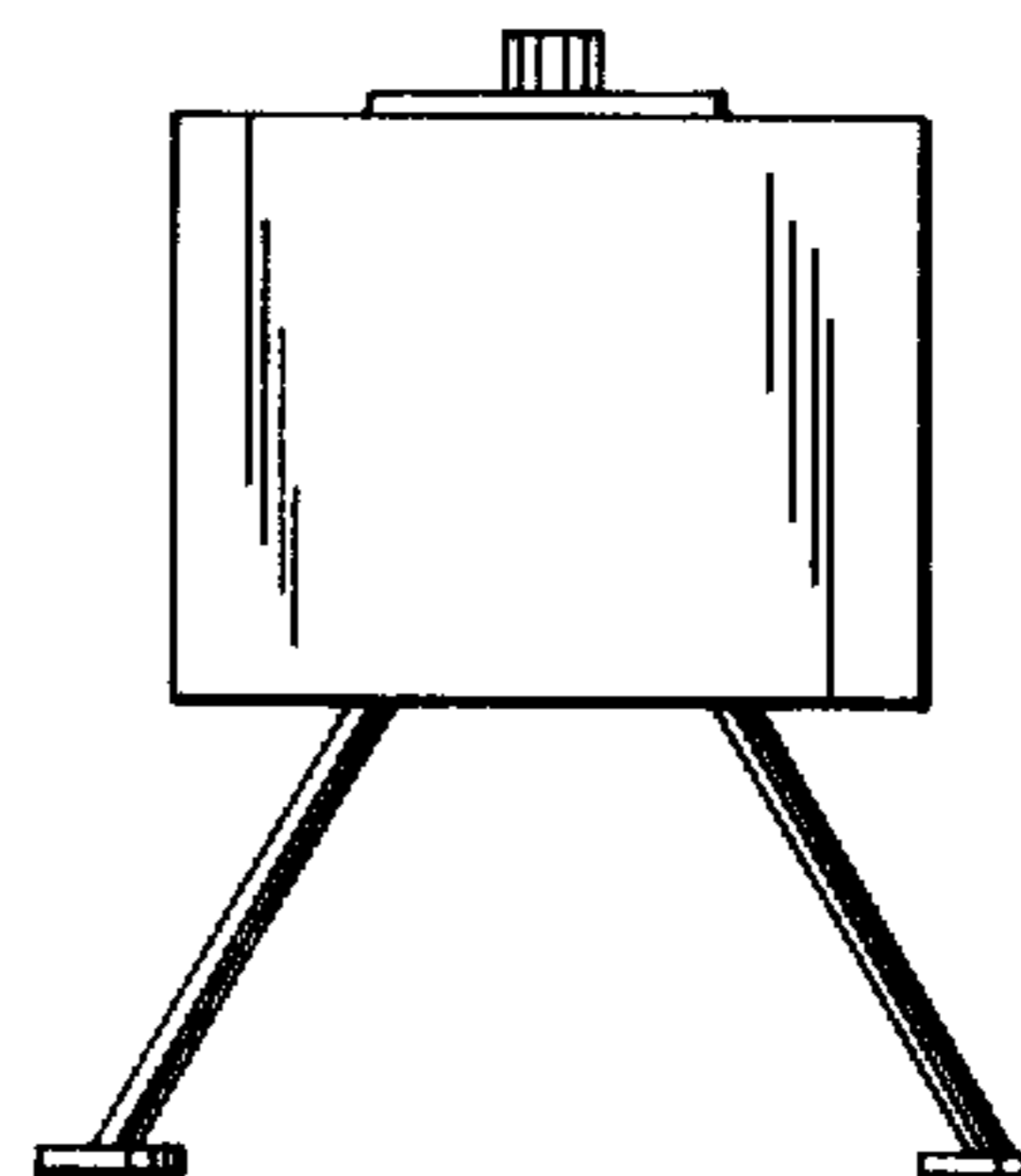


FIG. 5

