

[54] FREESTANDING FIREPLACE

[76] Inventor: Charles Jensen, 1914 Oakes Ave., Everett, Wash. 98201

[**] Term: 14 Years

[21] Appl. No.: 119,981

[22] Filed: Feb. 8, 1980

[51] Int. Cl. D23-03

[52] U.S. Cl. D23/97

[58] Field of Search D23/72, 92-97, D23/105, 107, 118, 119, 127, 128; 126/4.6, 58-68, 120, 121, 123, 135, 136, 138

[56] References Cited

U.S. PATENT DOCUMENTS

D. 231,833 6/1974 Stevenson D23/93

D. 252,525 7/1979 Russo D23/97
4,136,662 1/1979 Willson 126/61

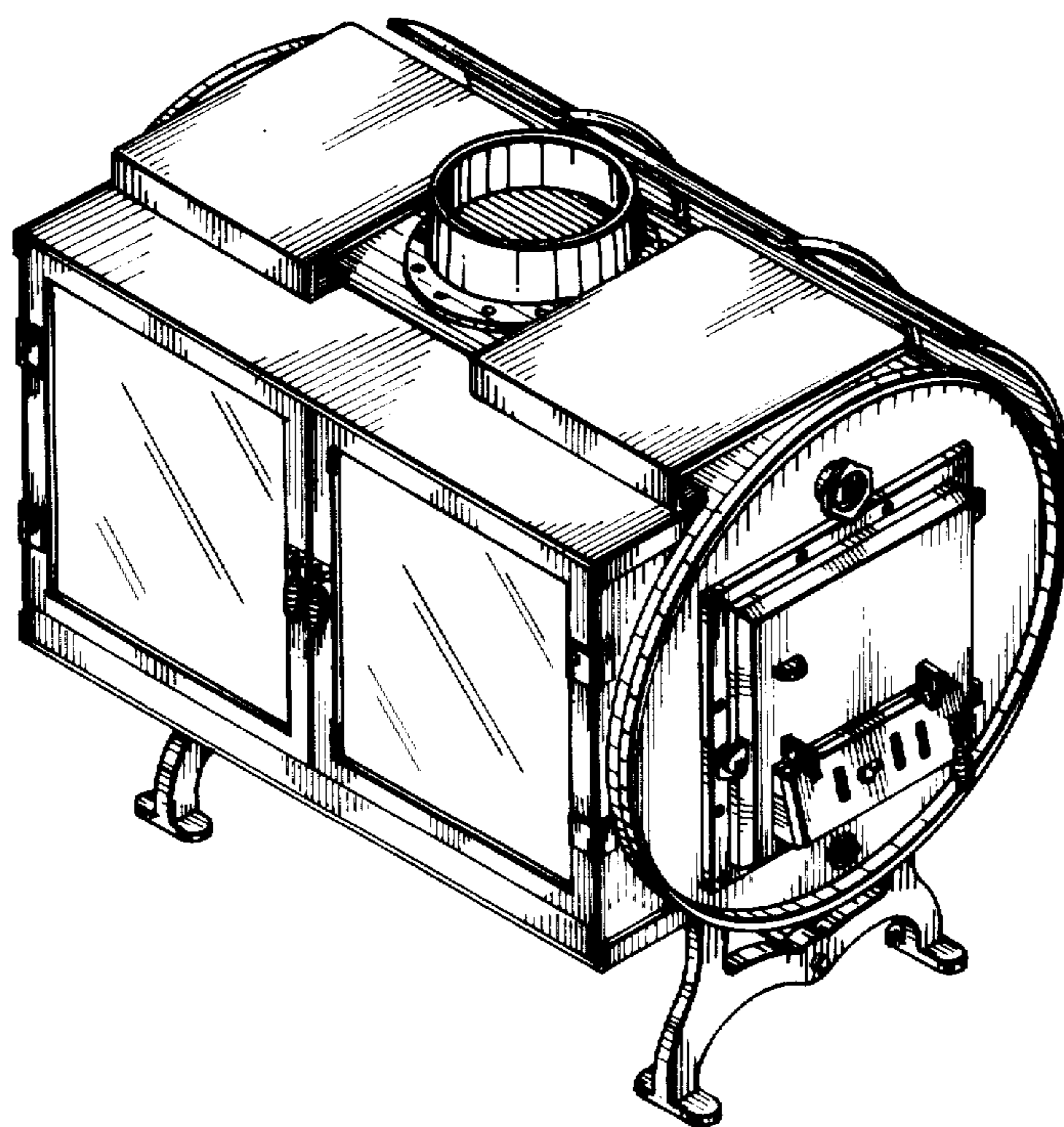
Primary Examiner—Catherine E. Kemper
Attorney, Agent, or Firm—Ward Brown; Robert W. Beach

[57] CLAIM

The ornamental design for a freestanding fireplace, substantially as shown and described.

DESCRIPTION

FIG. 1 is a top perspective view of a freestanding fireplace showing my new design;
FIG. 2 is a front elevational view thereof;
FIG. 3 is a right end elevational view of FIG. 2;
FIG. 4 is a rear elevational view thereof;
FIG. 5 is a left end elevational view of FIG. 2;
FIG. 6 is a top plan view thereof.



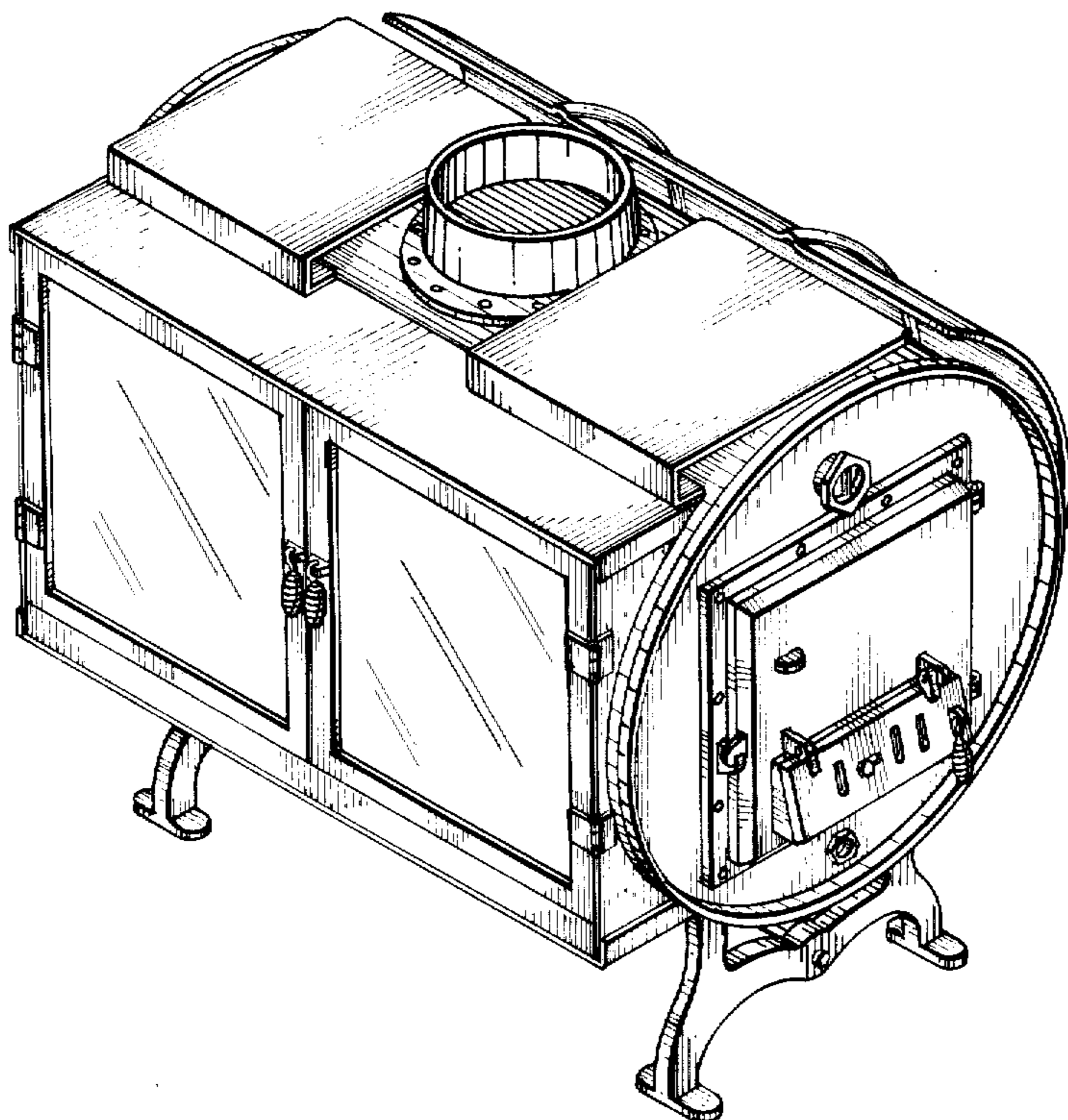


Fig. 1.

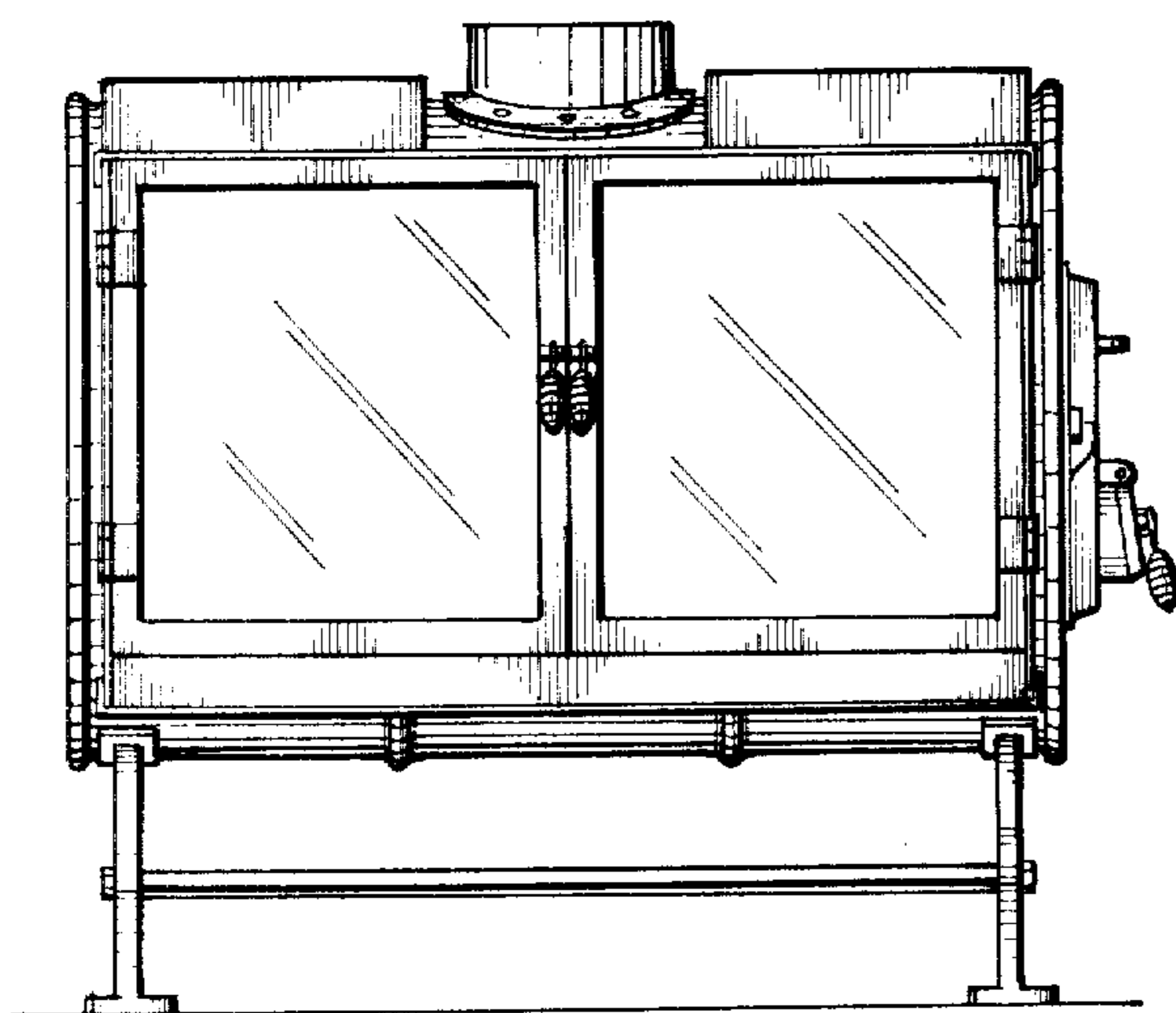


Fig. 2.

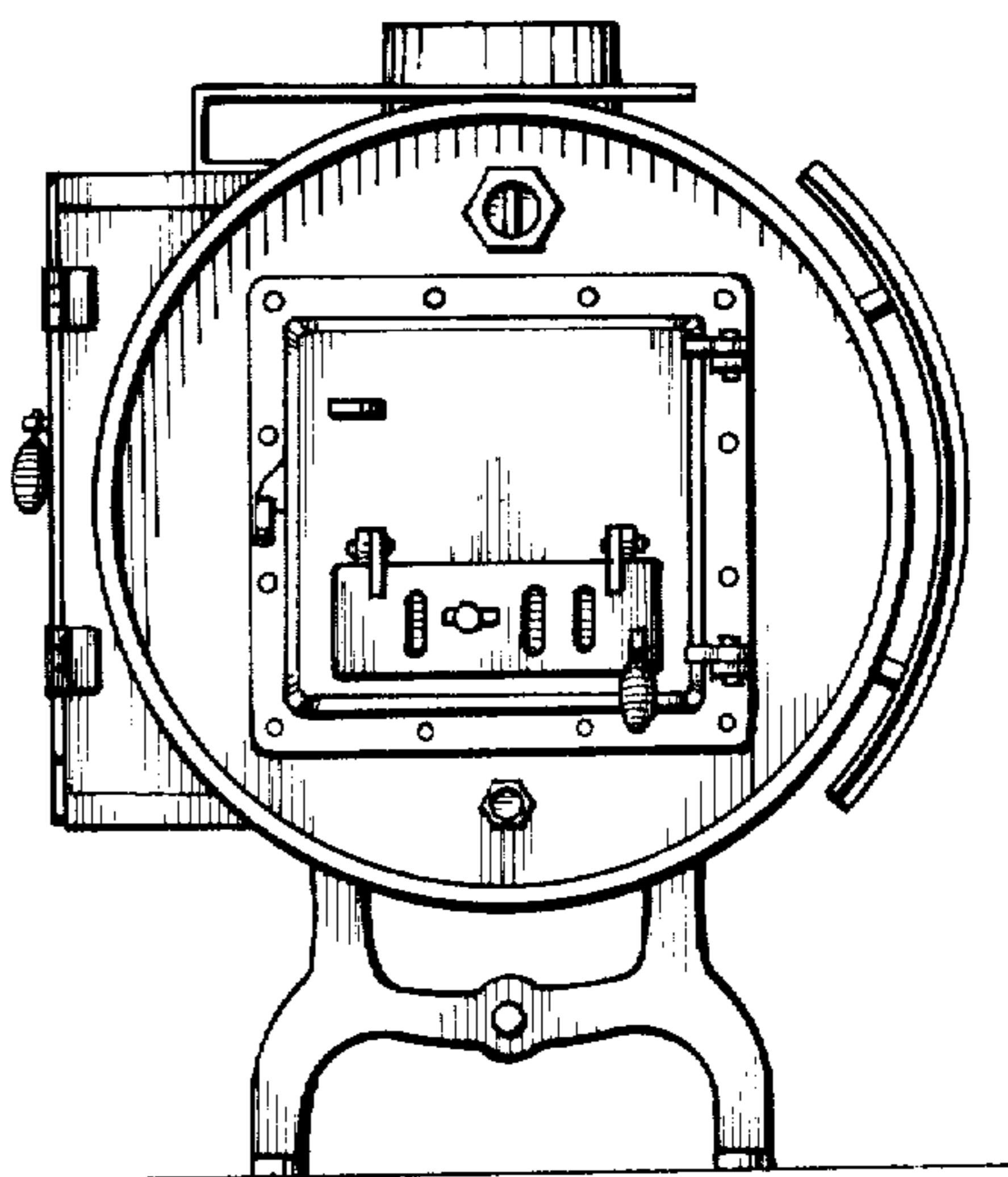


Fig. 3.

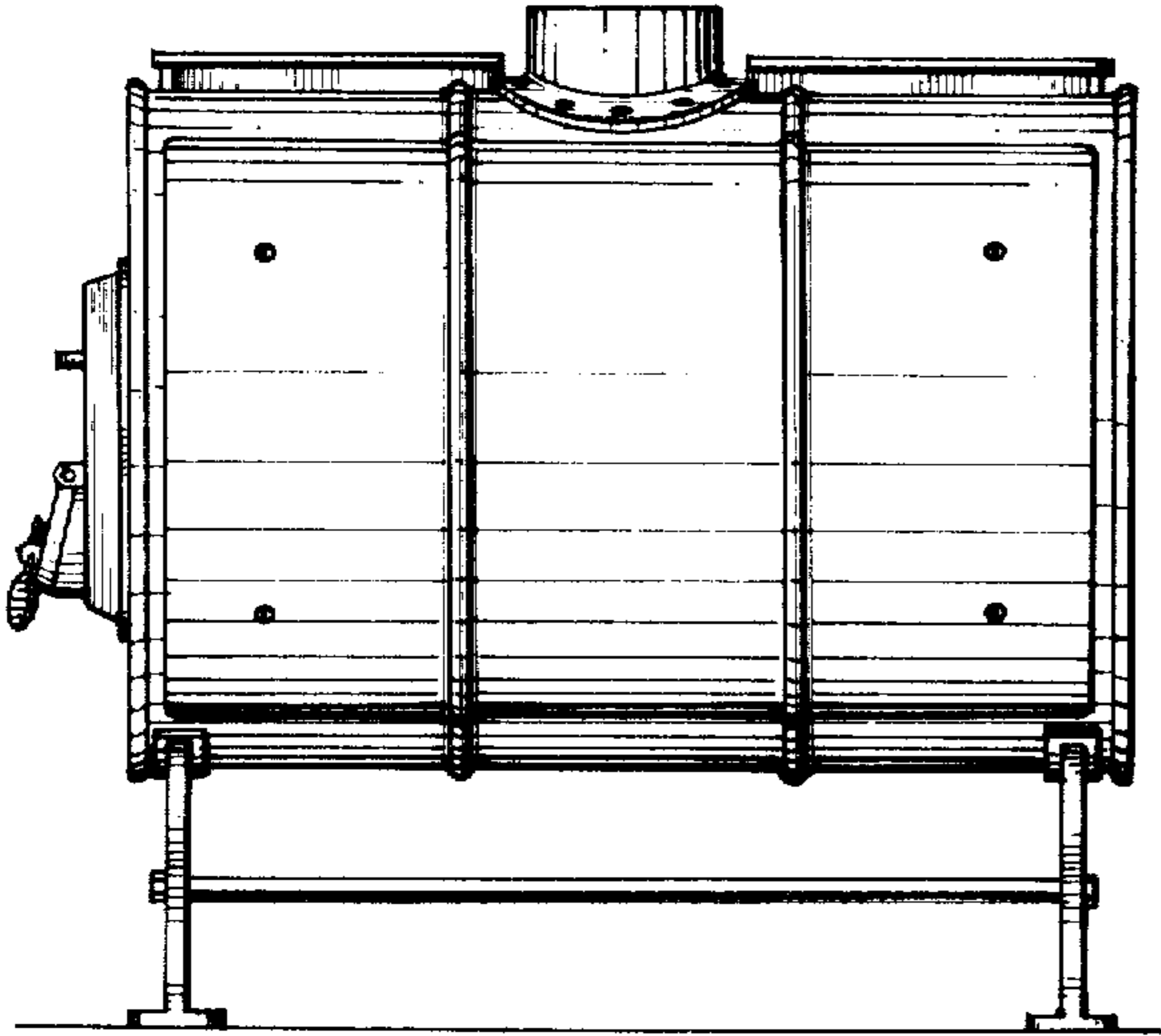


Fig. 4.

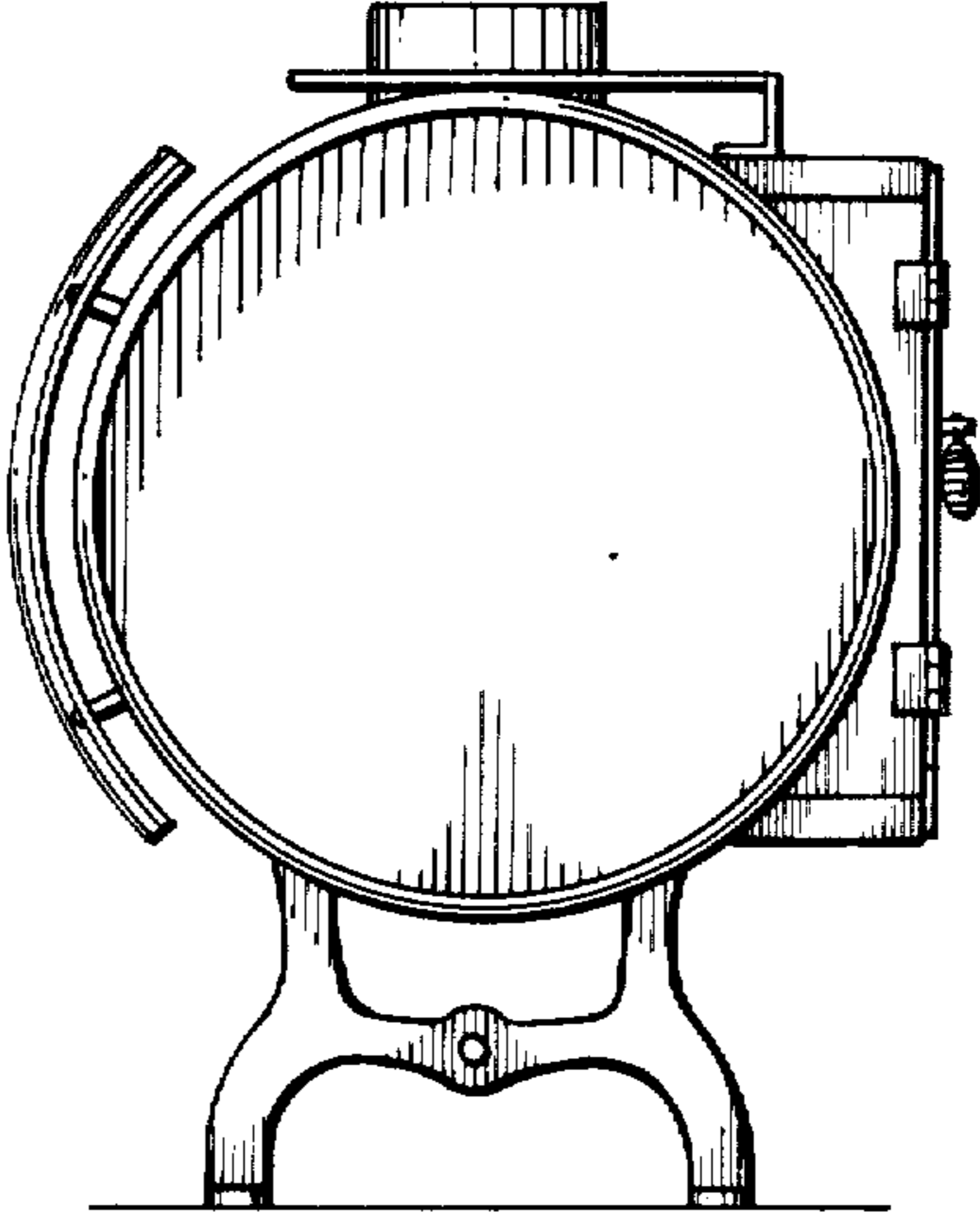


Fig. 5.

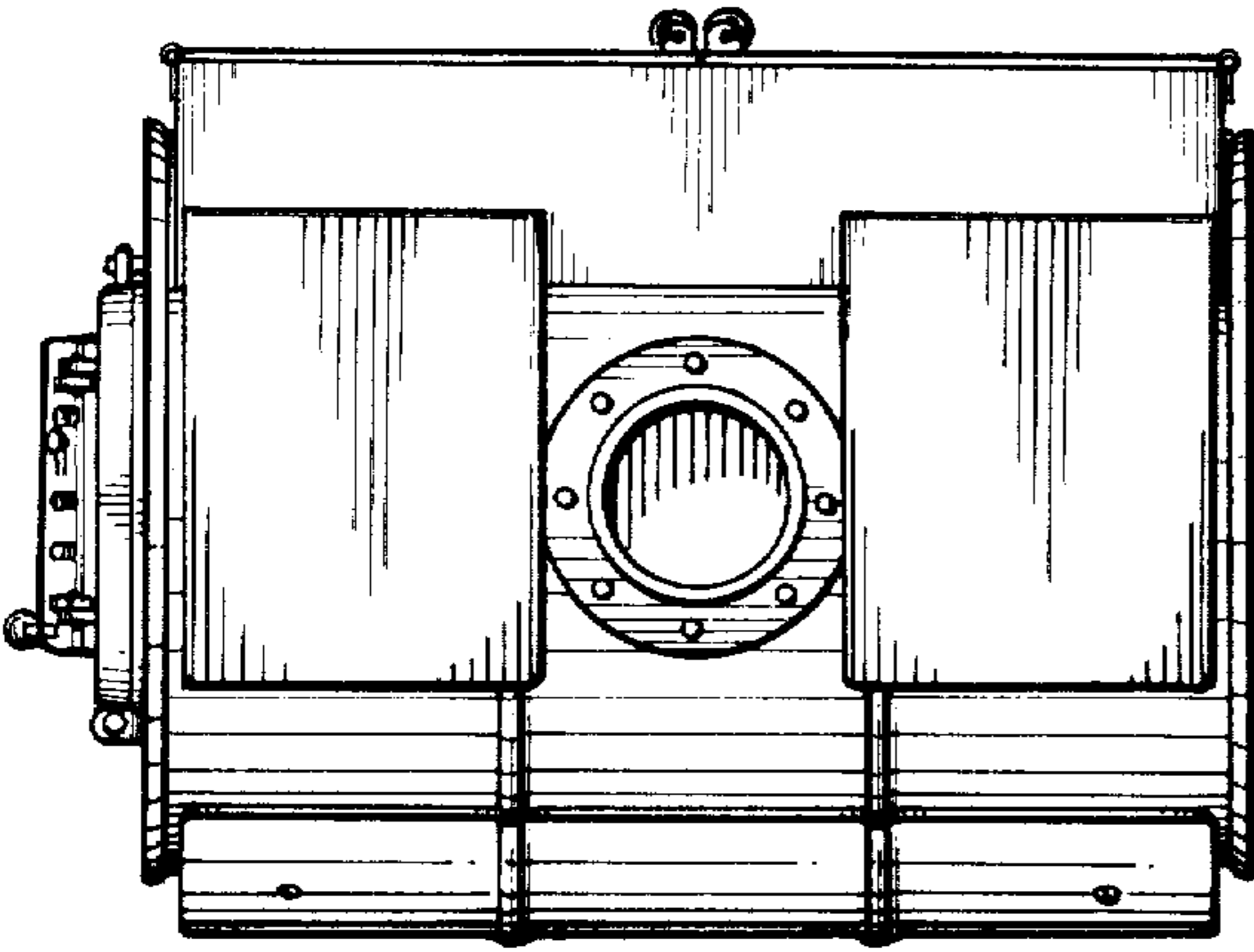


Fig. 6.