

[54] **DRAIN PIPE**  
 [76] Inventor: **Gert Söderström, 62**  
 Hammarbyvägen, S-19400  
 Upplands-Väsby, Sweden

[\*\*] Term: **14 Years**

[21] Appl. No.: **112,354**

[22] Filed: **Jan. 15, 1980**

[30] **Foreign Application Priority Data**

Jul. 16, 1979 [SE] Sweden ..... 791672

[51] Int. Cl. .... **D23—01**

[52] U.S. Cl. .... **D23/45; 405/43**

[58] Field of Search ..... **D23/44, 45, 46;**  
 138/103, 111, 116; 405/39, 43, 45, 48

[56] **References Cited**

**U.S. PATENT DOCUMENTS**

D. 19,677	3/1980	Carter	.....	D23/45
D. 19,731	4/1890	Carter	.....	D23/45
D. 235,104	5/1975	Maroschak	.....	D23/45
463,871	11/1891	Reading	.....	405/48
661,109	11/1900	Schmitz	.....	138/116

988,639	4/1911	Johnson	.....	405/48 X
1,350,229	8/1920	Lee	.....	405/48
2,196,708	4/1940	Reid	.....	138/172 X
4,016,727	4/1977	Osaka et al.	.....	405/48
4,134,268	1/1974	Elmoro	.....	405/43
4,140,421	2/1979	Lloyd	.....	405/43

*Primary Examiner*—James R. Largen  
*Attorney, Agent, or Firm*—Fleit & Jacobson

[57] **CLAIM**

The ornamental design for a drain pipe, as shown and described.

**DESCRIPTION**

FIG. 1 is a perspective view of a drain pipe showing my new design;  
 FIG. 2 is an elevational view taken from one side thereof;  
 FIG. 3 is an elevational view taken from one end thereof;  
 FIG. 4 is an elevational view taken from the side opposite that shown in FIG. 2;  
 FIG. 5 is an elevational view taken from the end opposite that shown in FIG. 3;  
 FIG. 6 is a top plan view thereof; and  
 FIG. 7 is a bottom plan view thereof.

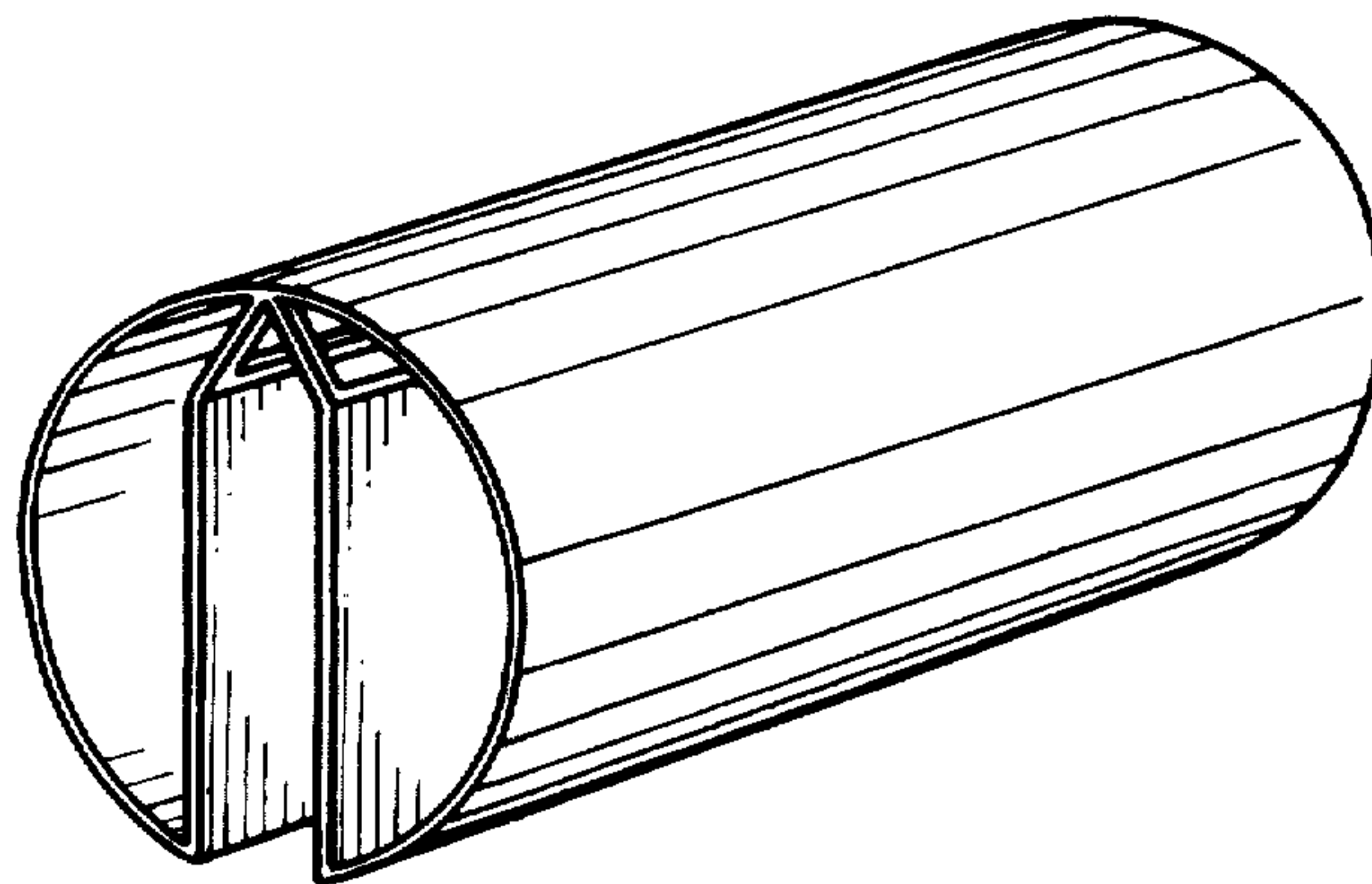


FIG.1

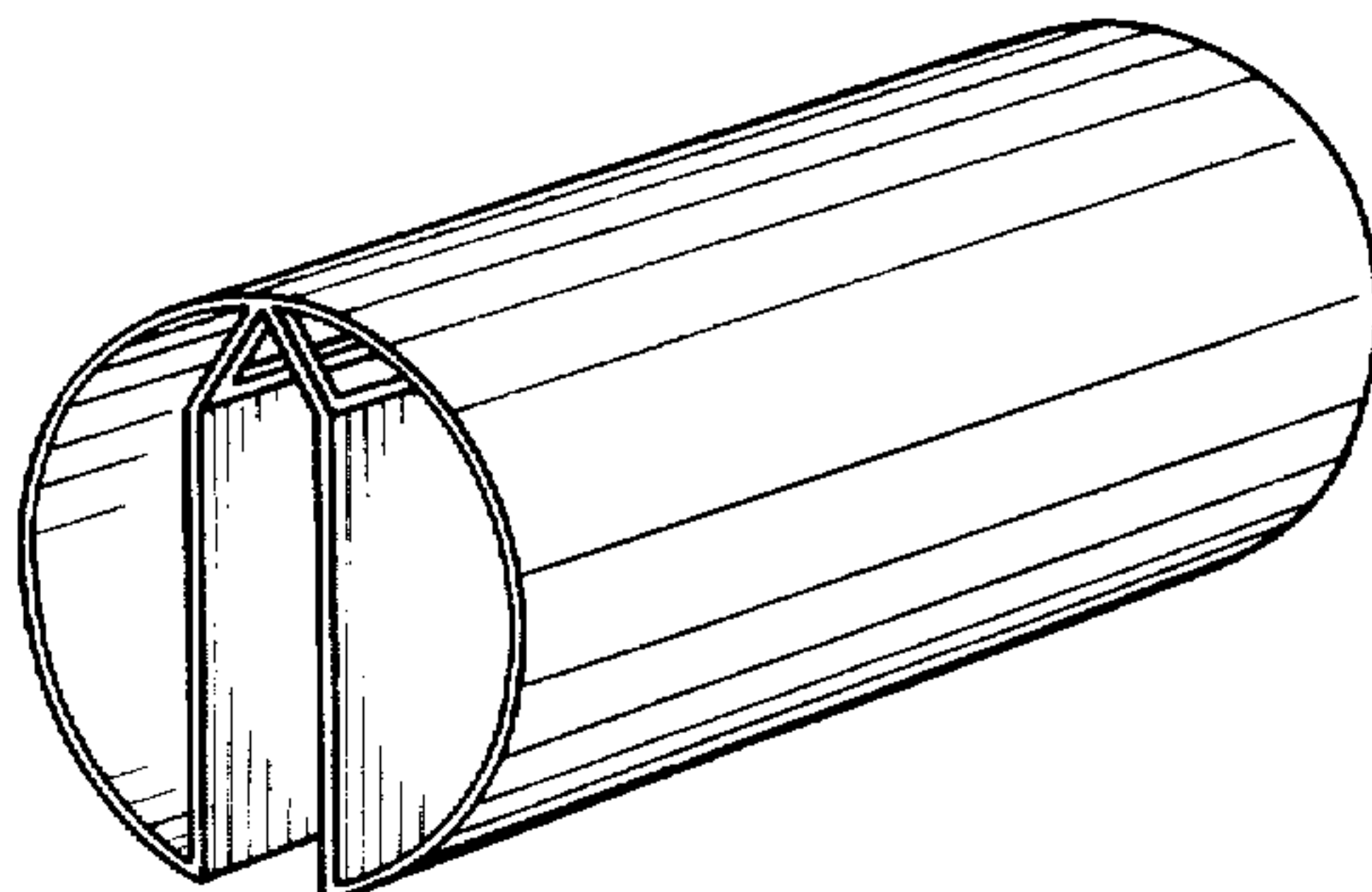


FIG.2

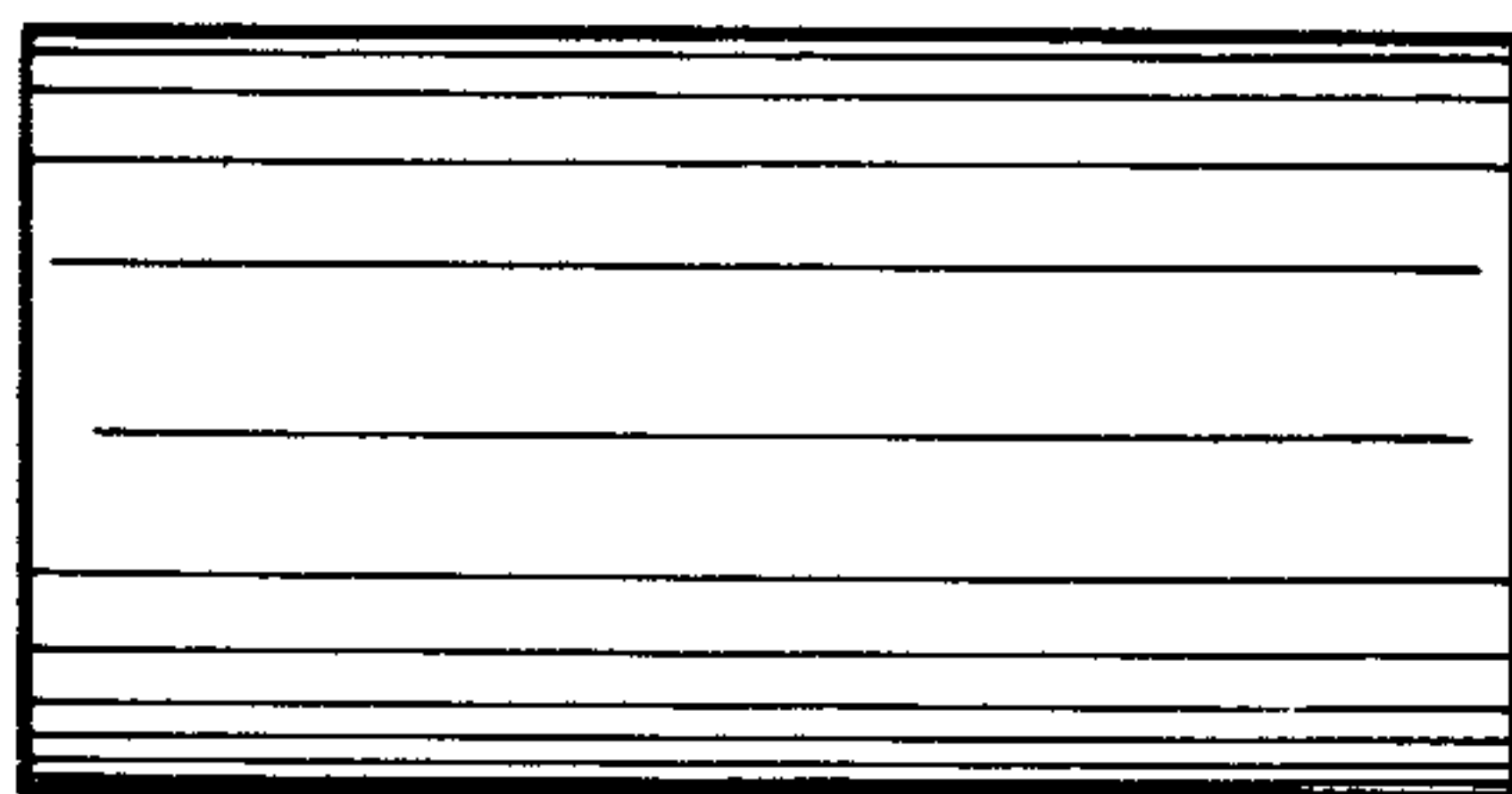


FIG.3

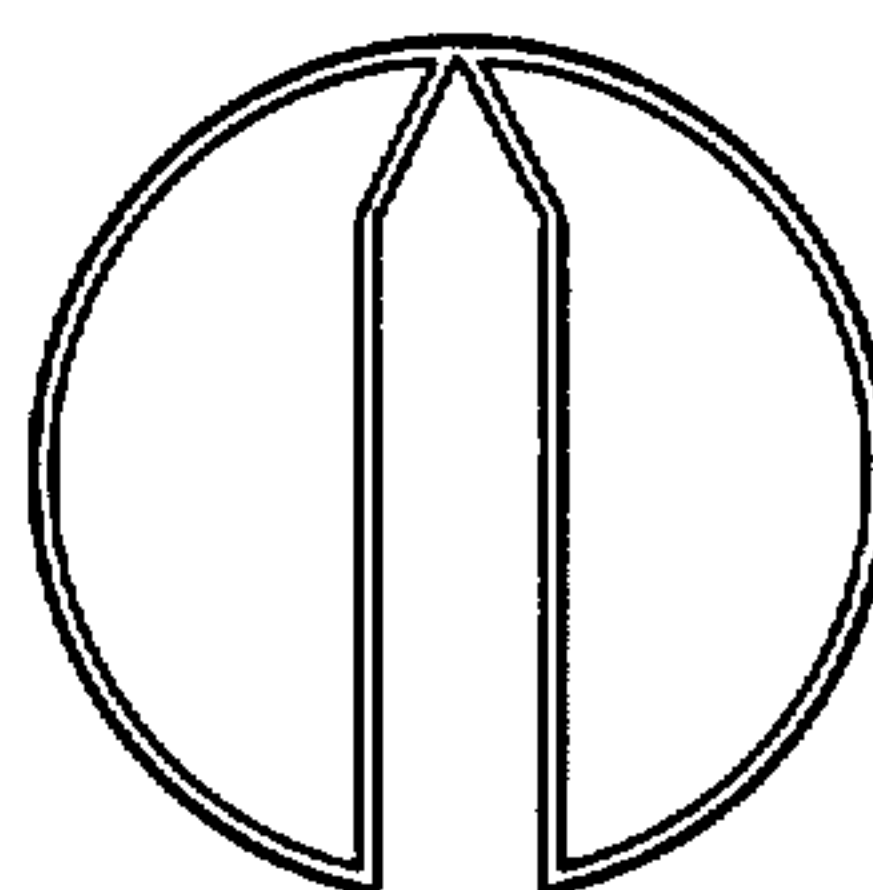


FIG.4

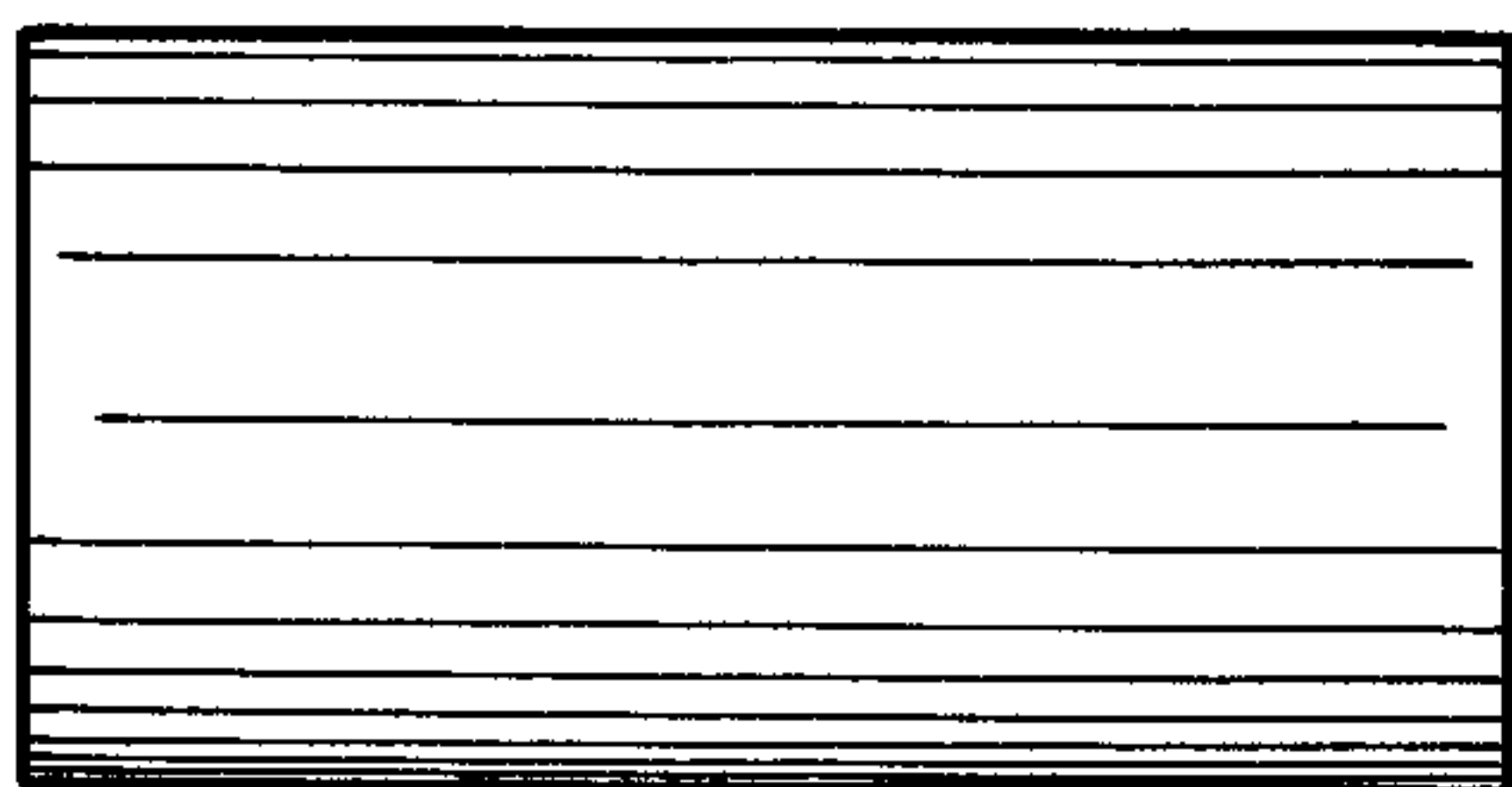


FIG.5

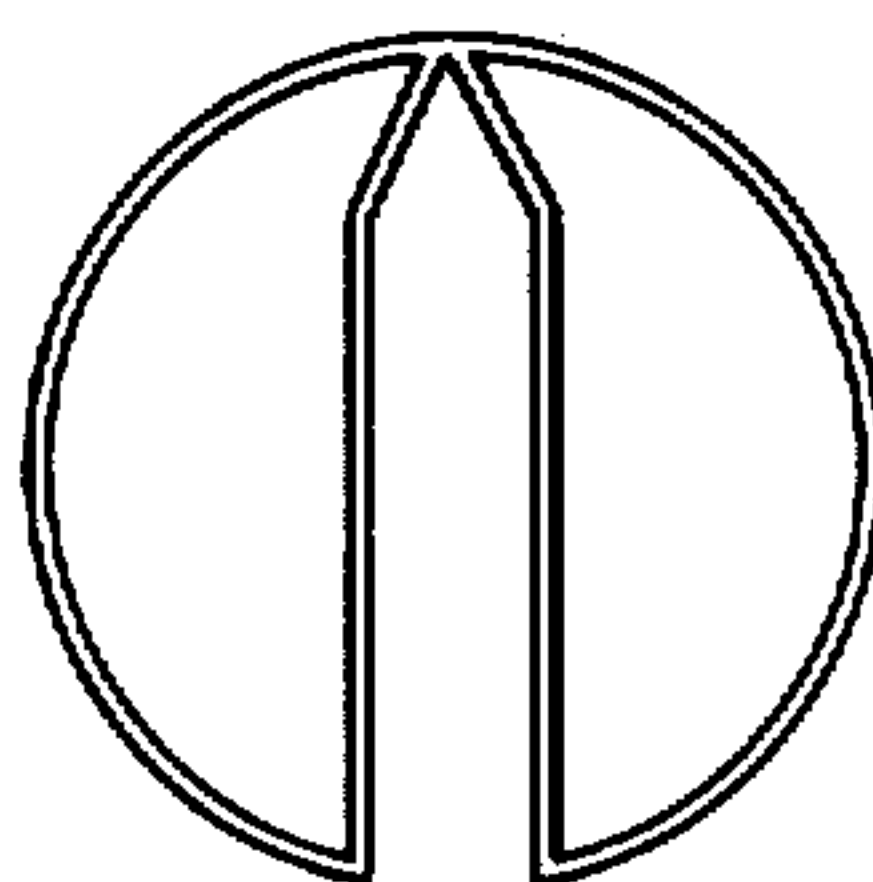


FIG.6



FIG.7

