

[54] MINIATURE PRACTICE RANGE FOR PRACTICE TYPE GOLF BALLS

[76] Inventor: Christopher R. Wojciechowski, 3001 Antelo View Dr., Los Angeles, Calif. 90024

[**] Term: 14 Years

[21] Appl. No.: 44,560

[22] Filed: Jun. 1, 1979

[51] Int. Cl. D21-02

[52] U.S. Cl. D21/234; 273/176 A; 273/181 A

[58] Field of Search D21/234; 273/176 A, 273/177 R, 181 A, 181 R

[56] References Cited

U.S. PATENT DOCUMENTS

2,677,547	5/1954	Campbell	273/181 R
3,104,879	9/1963	Jetton	273/181 R
3,526,405	9/1970	Morris	273/181 A

Primary Examiner—Melvin B. Feifer
Attorney, Agent, or Firm—Blakely, Sokoloff, Taylor & Zafman

[57] CLAIM

The ornamental design for a miniature practice range for practice type golf balls, substantially as shown and described.

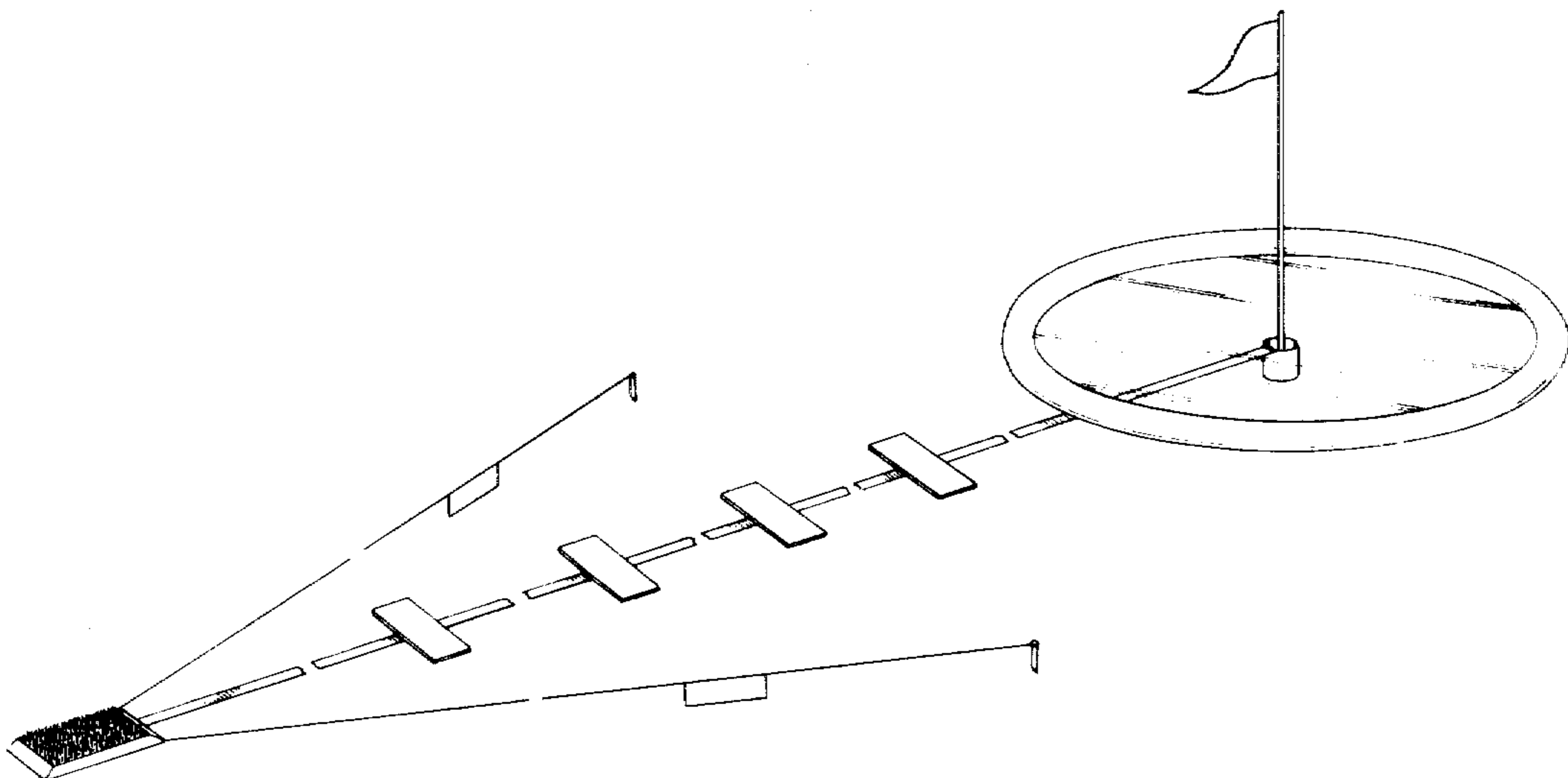
DESCRIPTION

FIG. 1 is a front perspective view of a miniature practice range for practice type golf balls illustrating the new design;

FIG. 2 is a top plan view thereof; and

FIG. 3 is a side elevation view thereof.

The portions shown fragmentarily are for convenience of illustration.



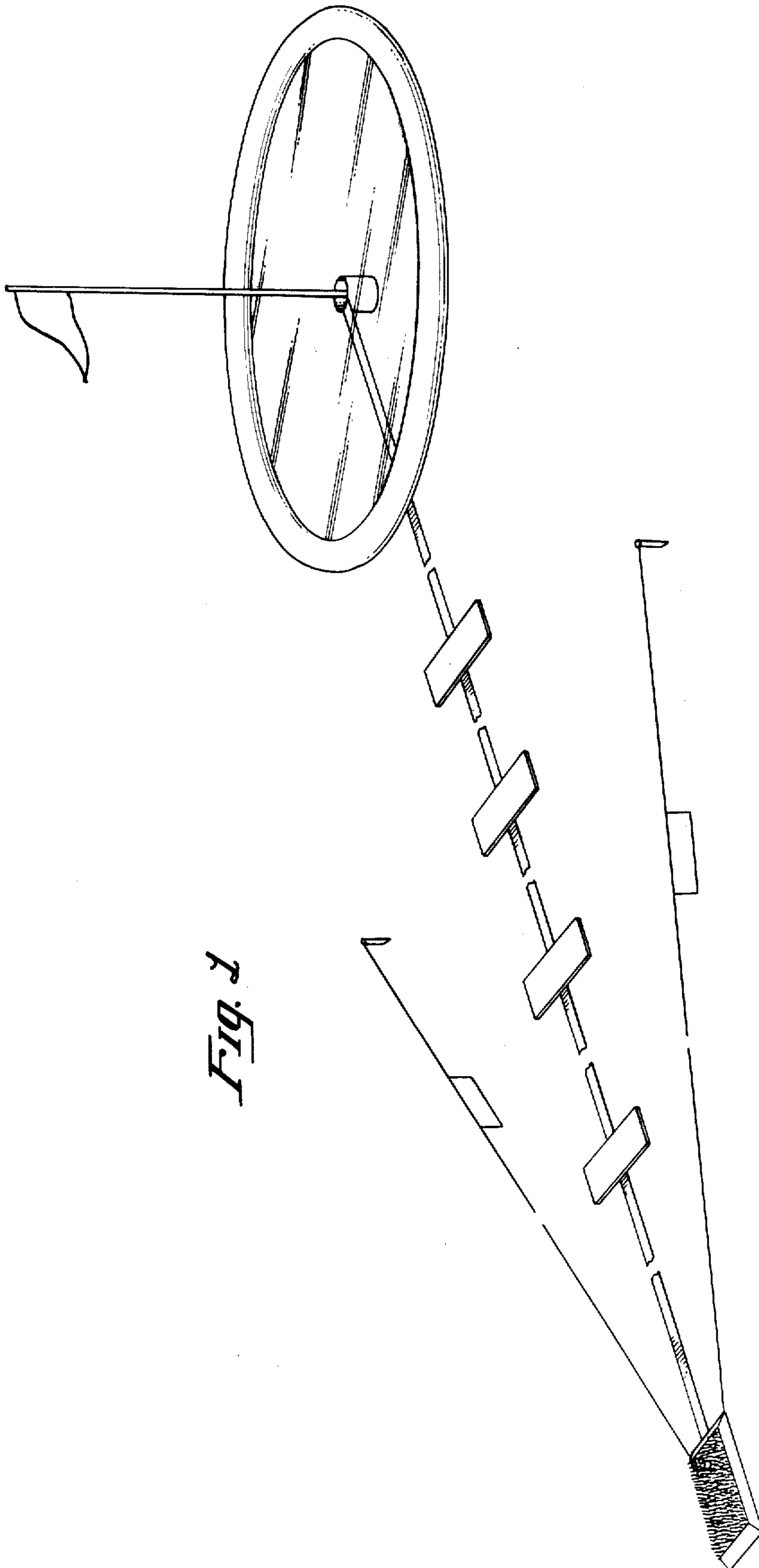


Fig. 1

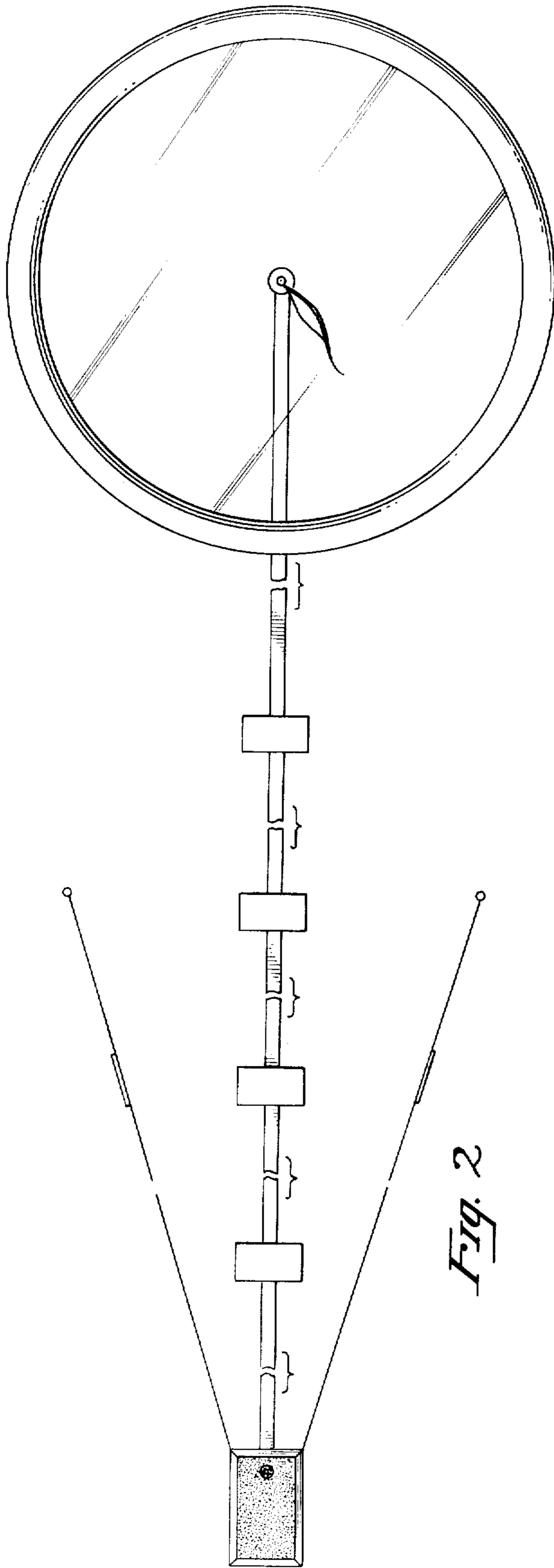


Fig. 2

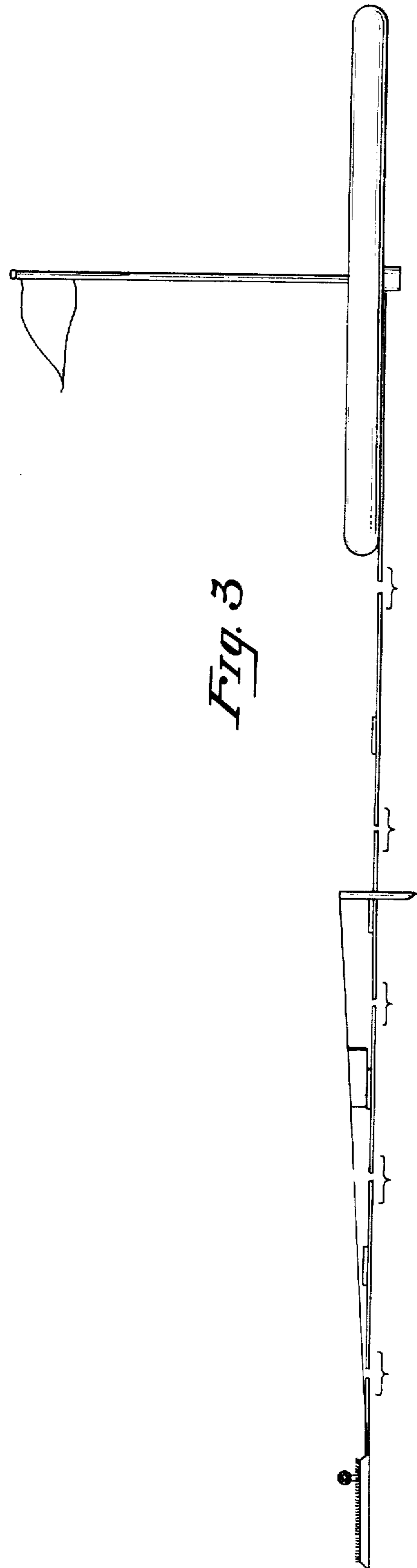


Fig. 3