

[54] WATER SKI

[76] Inventor: **Todd W. Roberts**, Victoria, Minn. 55386

[**] Term: **14 Years**

[21] Appl. No.: **127,102**

[22] Filed: **Mar. 4, 1980**

[51] Int. Cl. **D21-02**

[52] U.S. Cl. **D21/229**

[58] Field of Search **D21/229; 9/21, 310 A, 9/310 AA, 310 B**

[56] **References Cited**

U.S. PATENT DOCUMENTS

- D. 226,671 4/1973 Klausen D21/2
- D. 241,867 10/1976 Ferch D21/229
- D. 246,543 11/1977 Ferch D21/229

OTHER PUBLICATIONS

- U.S. Trademark Reg. No. 962,619, registered 7/1973, The Lange Co.
- U.S. Trademark Reg. No. 963,447, registered 7/1973, The Lange Co.
- U.S. Trademark Reg. No. 966,972, registered 8/1973, Hexcel Corp.
- Cypress Gardens* Brochure—Water Skis, Accessories & Floatation, 1980, (pp. 4, 5, and 6).
- Jobe* Brochure—The Jobe Honeycomb, (pp. 2 and 4).
- Kimball Water Skis* Brochure—The Sunshine Yellow #1200, (pp. 2 and 3).

- Nash Water Skis* Brochure, (pp. 2, 4, and 5).
- O'Brien International* Brochure - World Team Comp Water Skis and World Team Water Skis.
- Power Boat Water Ski Special Edition Magazine* - Apr. 1977, (pp. 46 and 47).
- Competition Water Skis Stinger* Brochure—Stinger, Honeycomb, and Profoam Water Skis, (p. 2).
- Taperflex* Brochure—G100, G200, and Flexible Concave Skis, (pp. 5 and 7).
- Terry Water Skis* Brochure—Summer Heat and Summer Heat Trick Skis, (pp. 2 and 3).

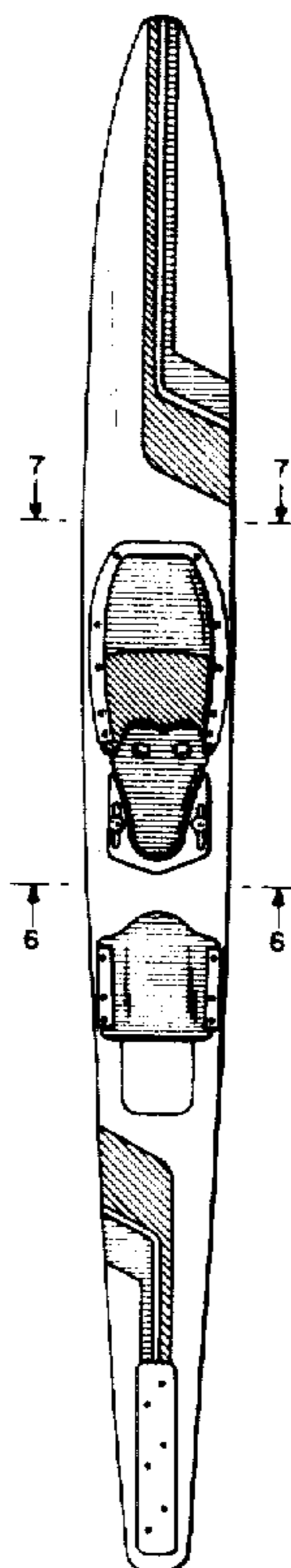
Primary Examiner—Veronica O'Keefe
Attorney, Agent, or Firm—L. Paul Burd; Richard O. Bartz; Robert W. Gutenkauf

[57] **CLAIM**

The ornamental design for a water ski, substantially as shown and described.

DESCRIPTION

FIG. 1 is a top plan view of a water ski showing my new design;
 FIG. 2 is a right side view thereof, the left side being a mirror image thereof;
 FIG. 3 is a bottom view thereof;
 FIG. 4 is an enlarged front view thereof;
 FIG. 5 is an enlarged rear view thereof;
 FIG. 6 is an enlarged sectional view taken along the line 6—6 thereof; and
 FIG. 7 is an enlarged sectional view taken along the line 7—7 thereof.
 The drawing is lined for the colors blue and green. No claim is made to any particular color.



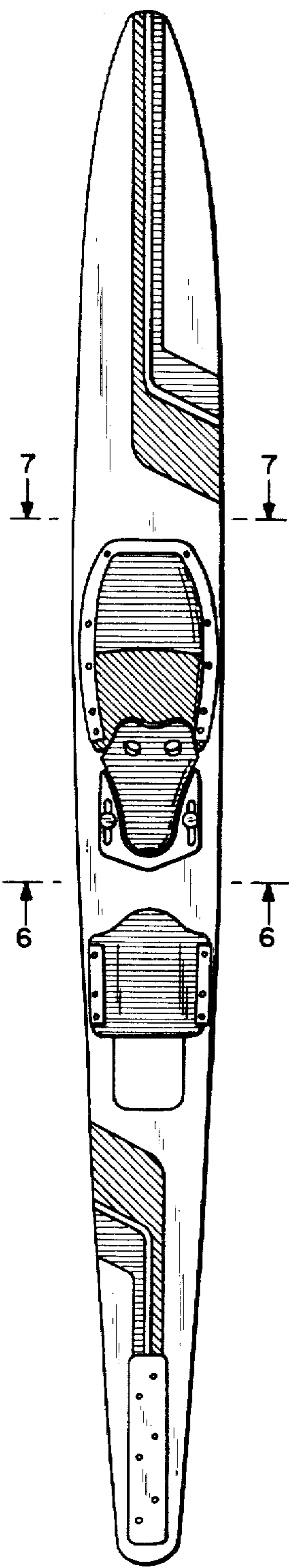


FIG. 1

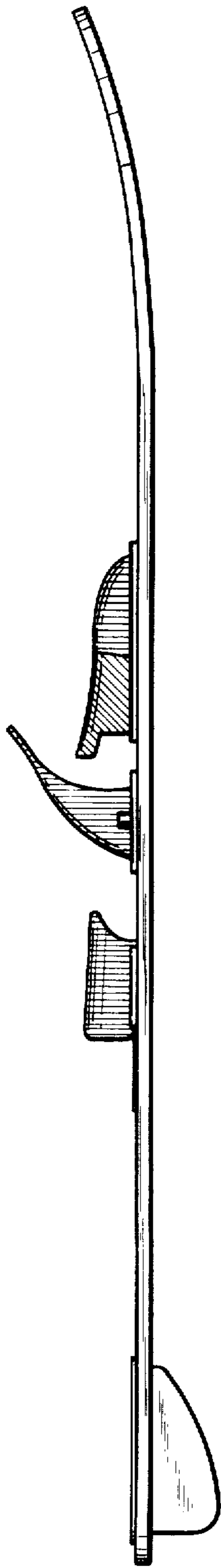


FIG. 2

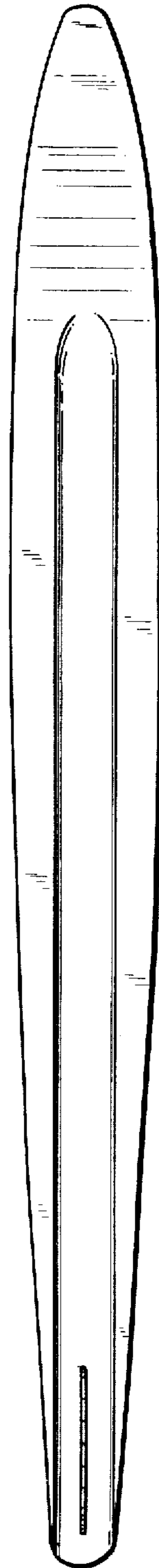


FIG. 3

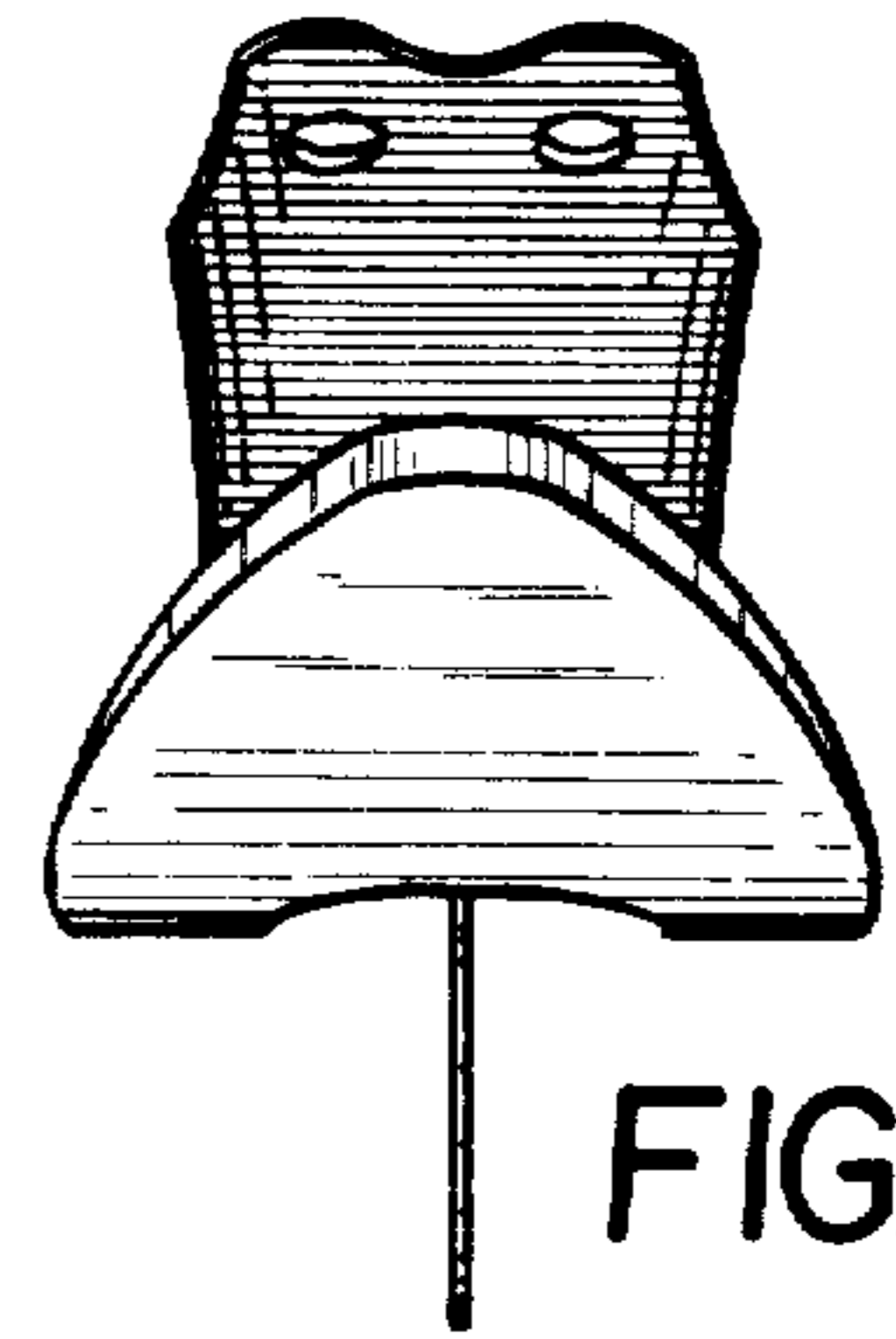


FIG. 4

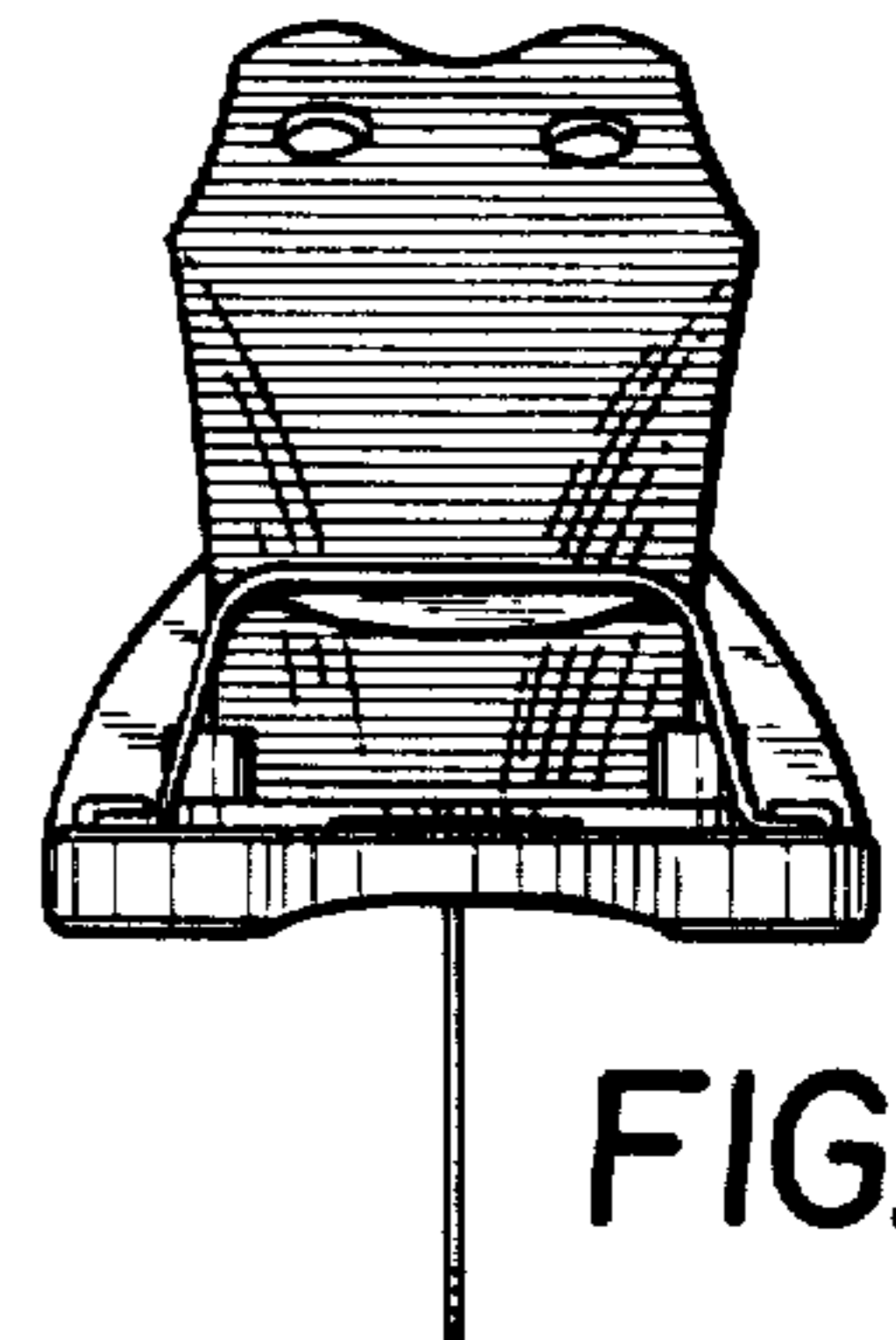


FIG. 5

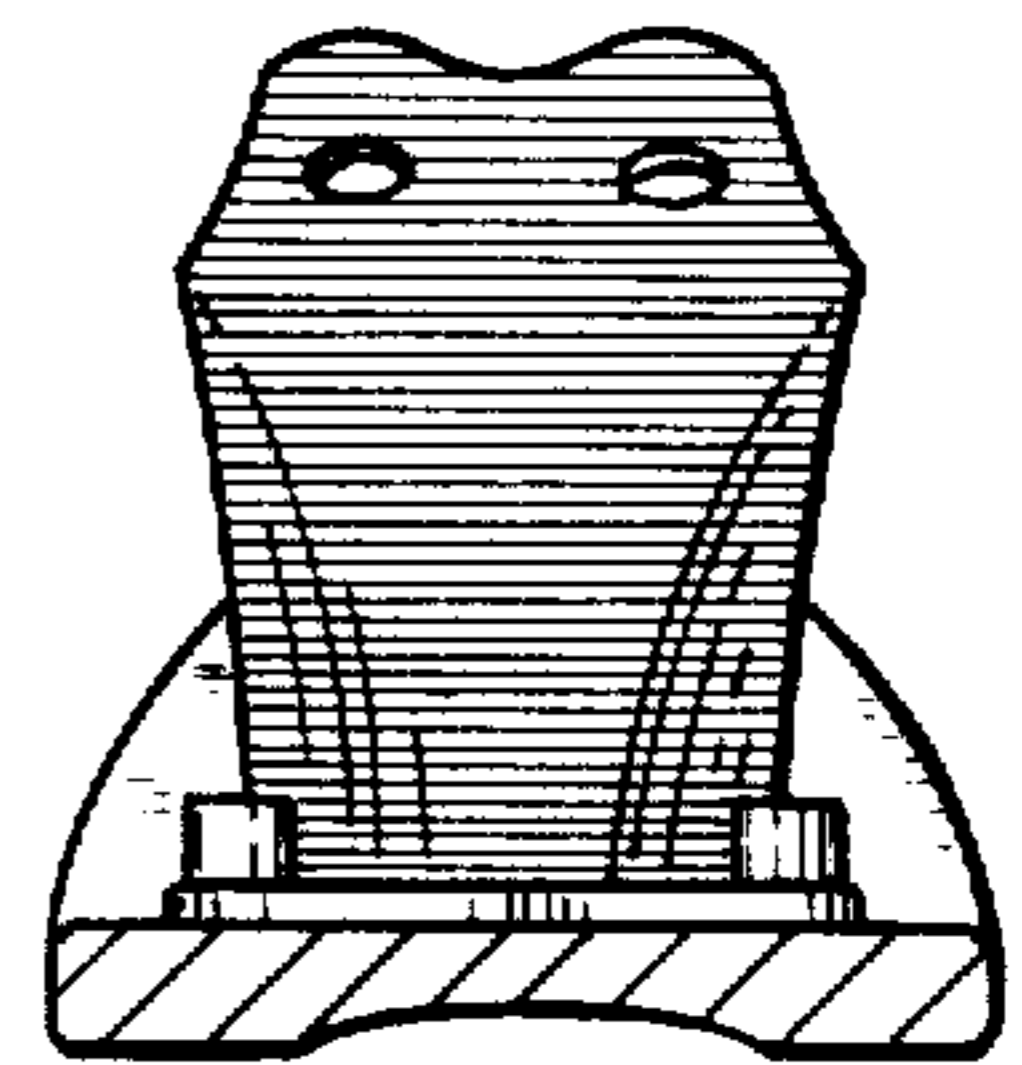


FIG. 6

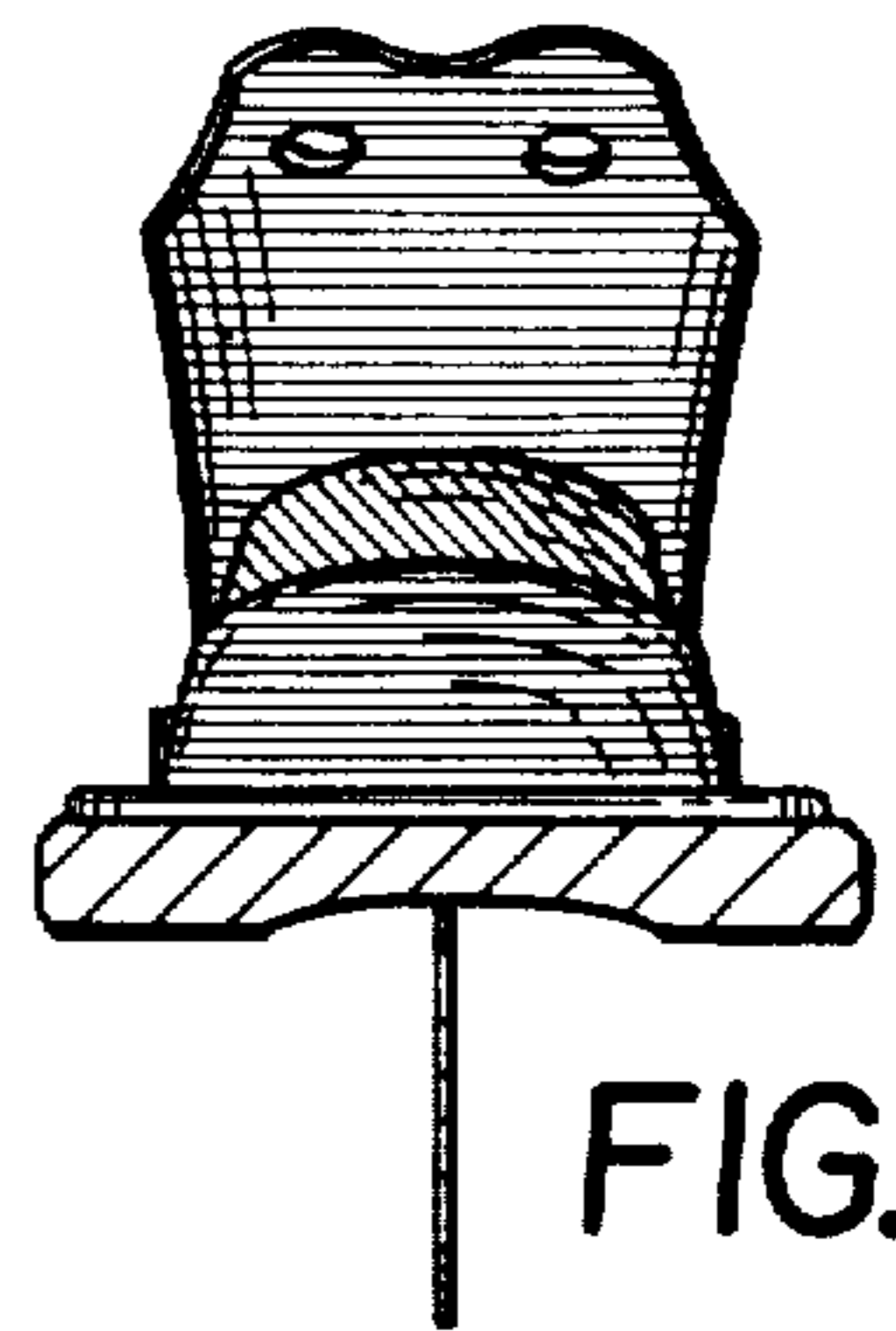


FIG. 7