

[54] TOY CAR

[76] Inventor: Henry Orenstein, 136 Lakeside Ave., Verona, N.J. 07044

[**] Term: 3½ Years

[21] Appl. No.: 174,033

[22] Filed: Jul. 31, 1980

[51] Int. Cl. D21-01

[52] U.S. Cl. D21/137

[58] Field of Search D21/71, 76, 78, 128, D21/134, 136, 137; 46/101, 201, 222; 280/1.11

R

[56] References Cited

U.S. PATENT DOCUMENTS

- D. 218,696 9/1970 Auer D21/78
- D. 241,960 10/1976 Huffman D21/78

OTHER PUBLICATIONS

Sear's Wish Book, 1977, p. 496, item 9, Toy Fire Truck. Ward's Xmas Catalog, 1978, p. 406, item A, "Popper Van".

Primary Examiner—Charles A. Rademaker
Attorney, Agent, or Firm—Gottlieb, Rackman & Reisman

[57] CLAIM

The ornamental design for a toy car, as shown and described.

DESCRIPTION

FIG. 1 is a side perspective view of a toy car showing my new design; FIG. 2 is a right side elevational view thereof; FIG. 3 is a front elevational view thereof; FIG. 4 is a rear elevational view thereof; and, FIG. 5 is a bottom plan view thereof.

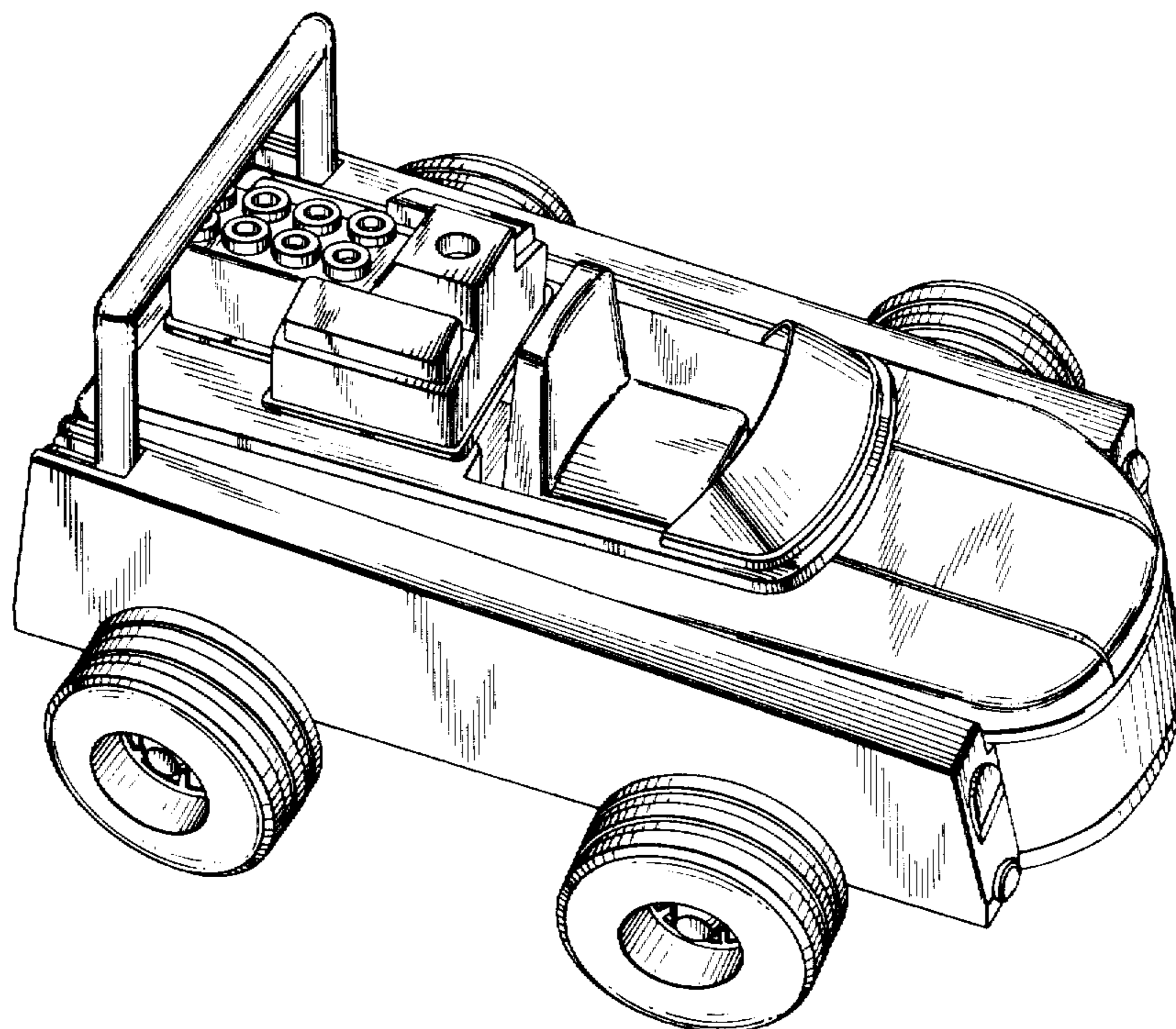


FIG. 1

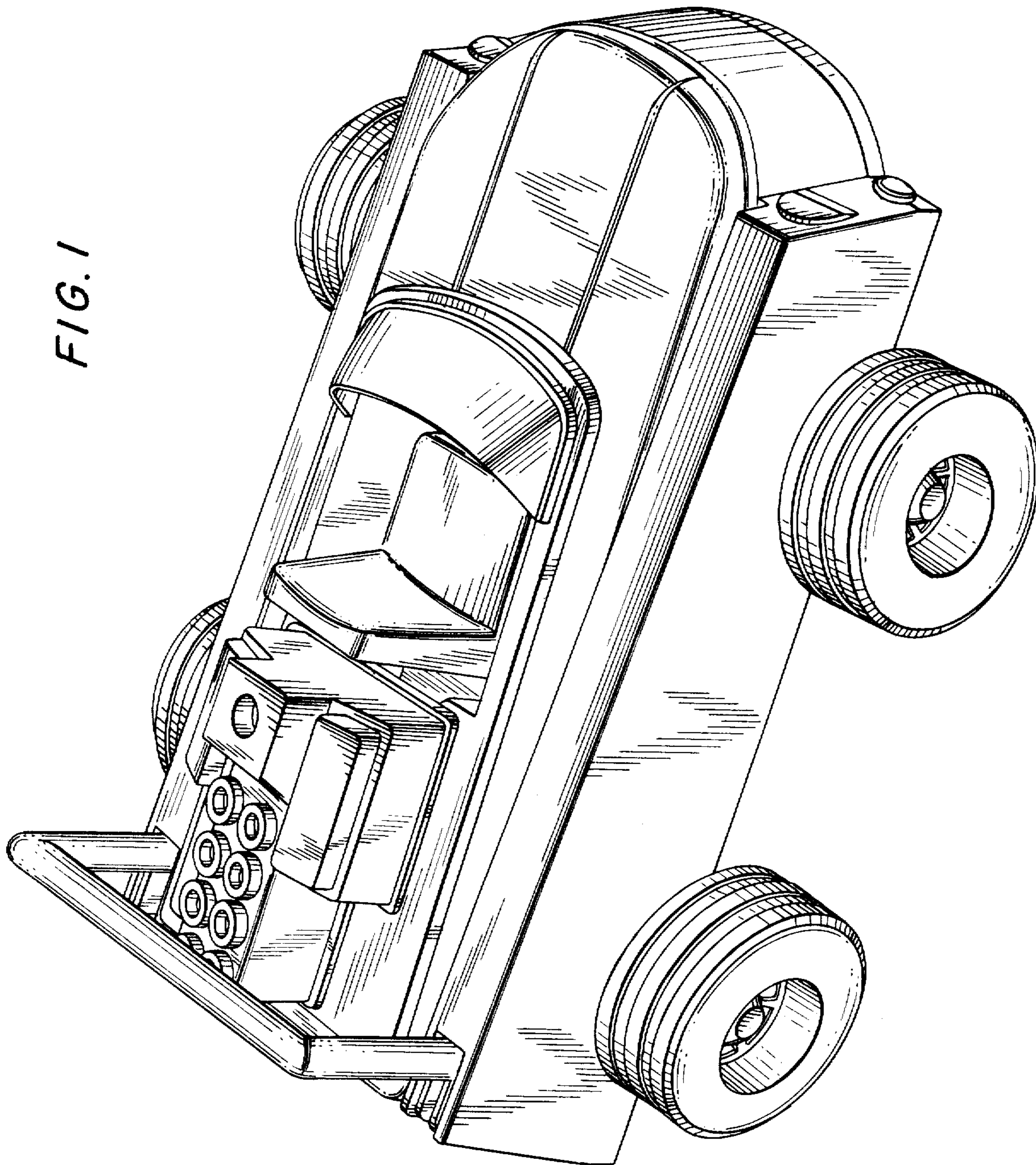


FIG. 2

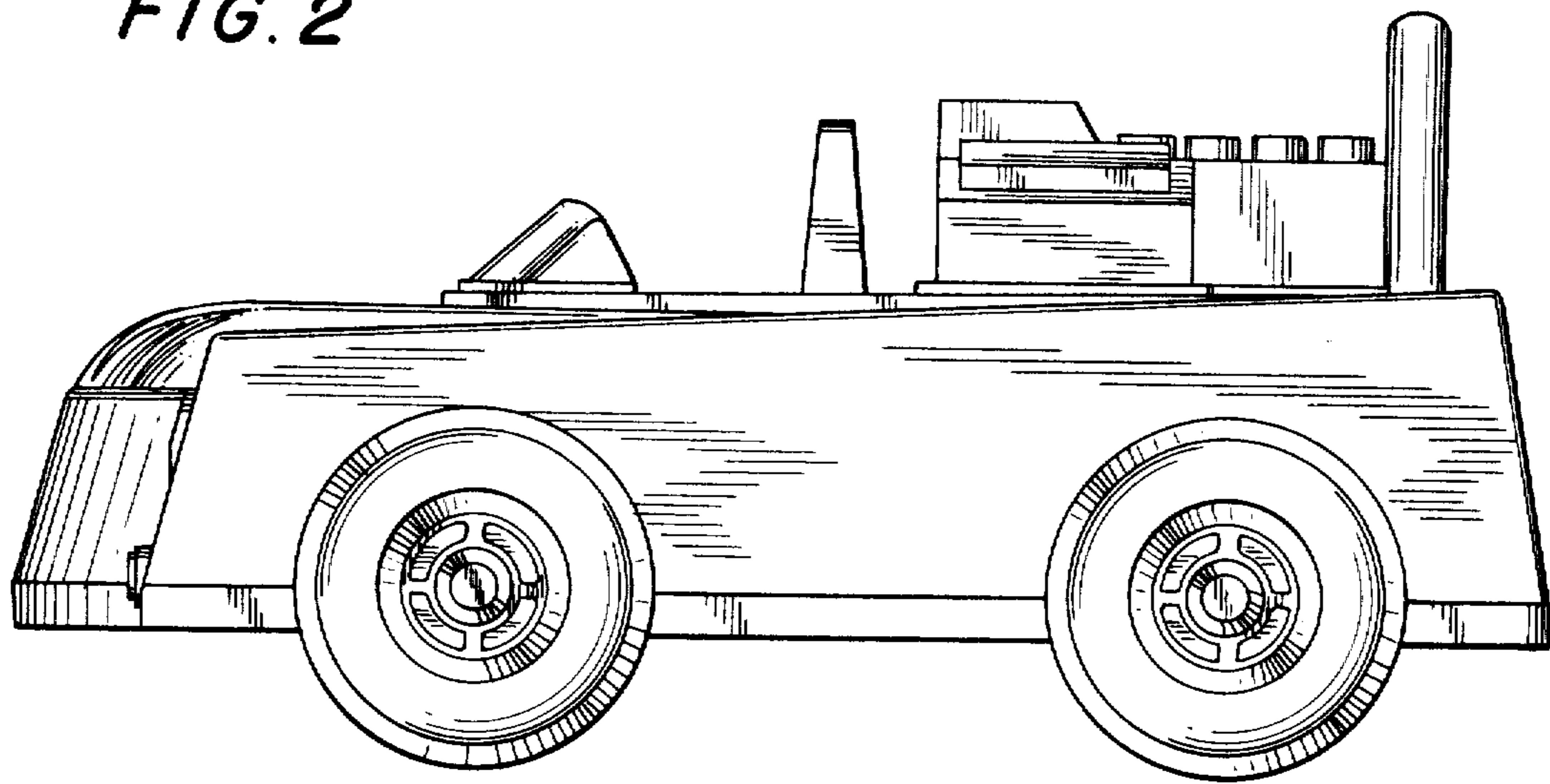


FIG. 3

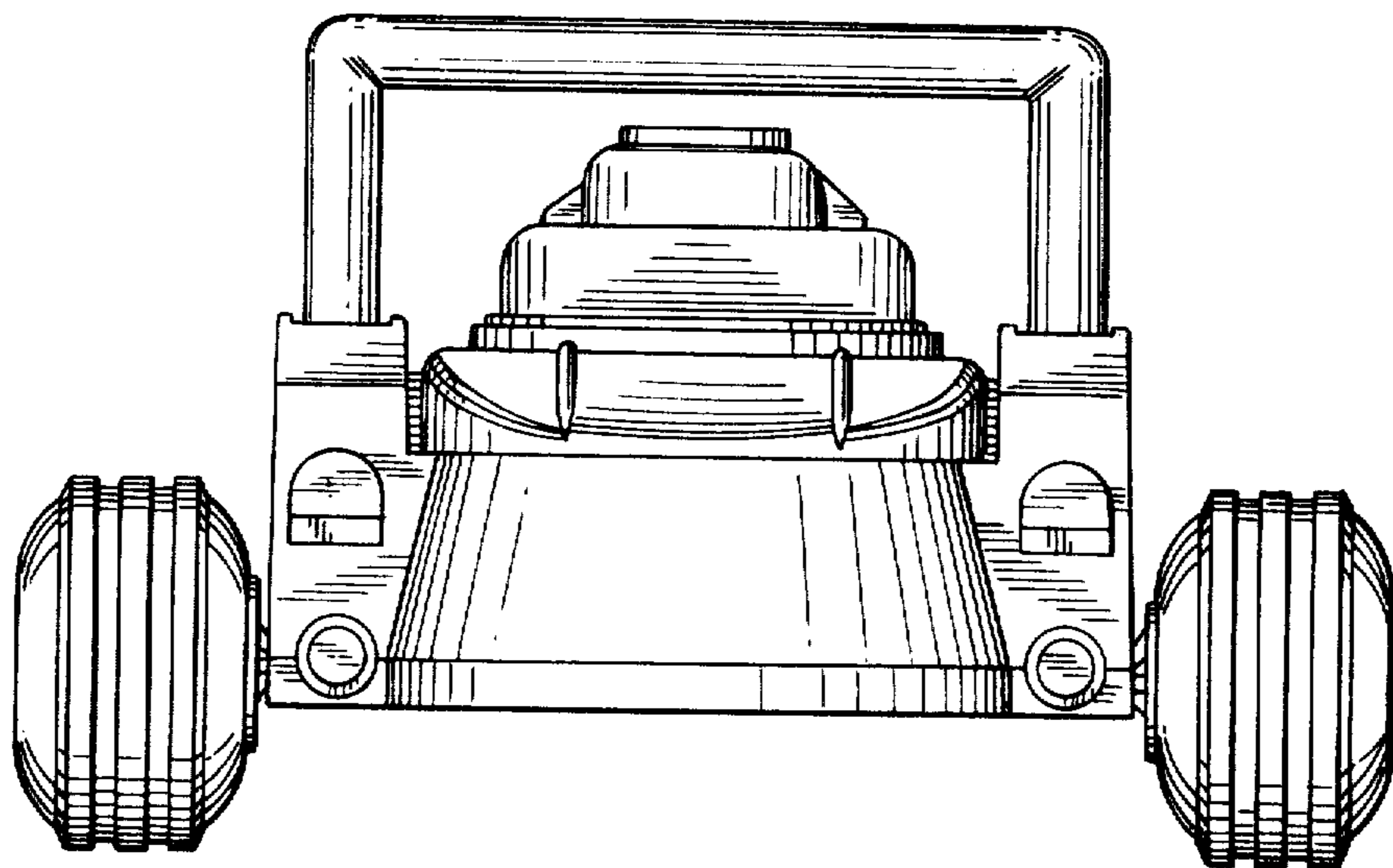


FIG. 4

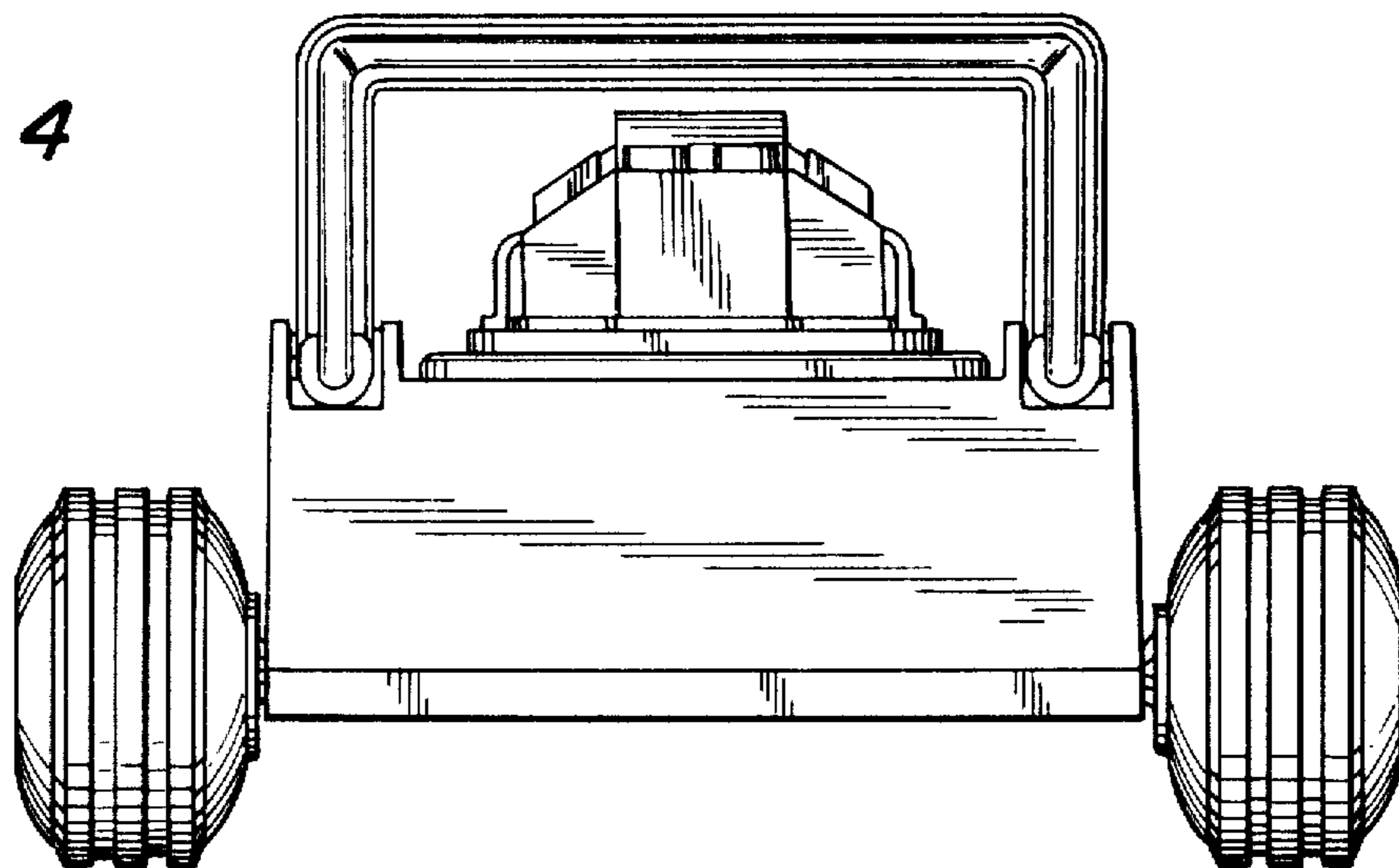


FIG. 5

