

[54] TOY TRUCK

[76] Inventor: Henry Orenstein, 136 Lakeside Ave., Verona, N.J. 07044

[**] Term: 3½ Years

[21] Appl. No.: 165,861

[22] Filed: Jul. 7, 1980

[51] Int. Cl. D21-01

[52] U.S. Cl. D21/132; D21/134

[58] Field of Search D21/76, 79, 128, 132, D21/134, 135, 140; 46/214, 222; D15/33, 25

[56] References Cited

U.S. PATENT DOCUMENTS

- D. 227,283 6/1973 Ogasawara D21/134
- D. 242,734 12/1976 Breneman D21/134

- D. 243,266 2/1977 Breneman D21/132
- D. 251,626 4/1979 Nakao et al. D21/132

Primary Examiner—Charles A. Rademaker
Attorney, Agent, or Firm—Gottlieb, Rackman & Reisman

[57] CLAIM

The ornamental design for a toy truck, as shown and described.

DESCRIPTION

FIG. 1 is a front perspective view of a toy truck showing my new design;
 FIG. 2 is a top plan view thereof;
 FIG. 3 is a right side elevational view thereof;
 FIG. 4 is a front elevational view thereof;
 FIG. 5 is a rear elevational view thereof; and,
 FIG. 6 is a bottom plan view thereof.

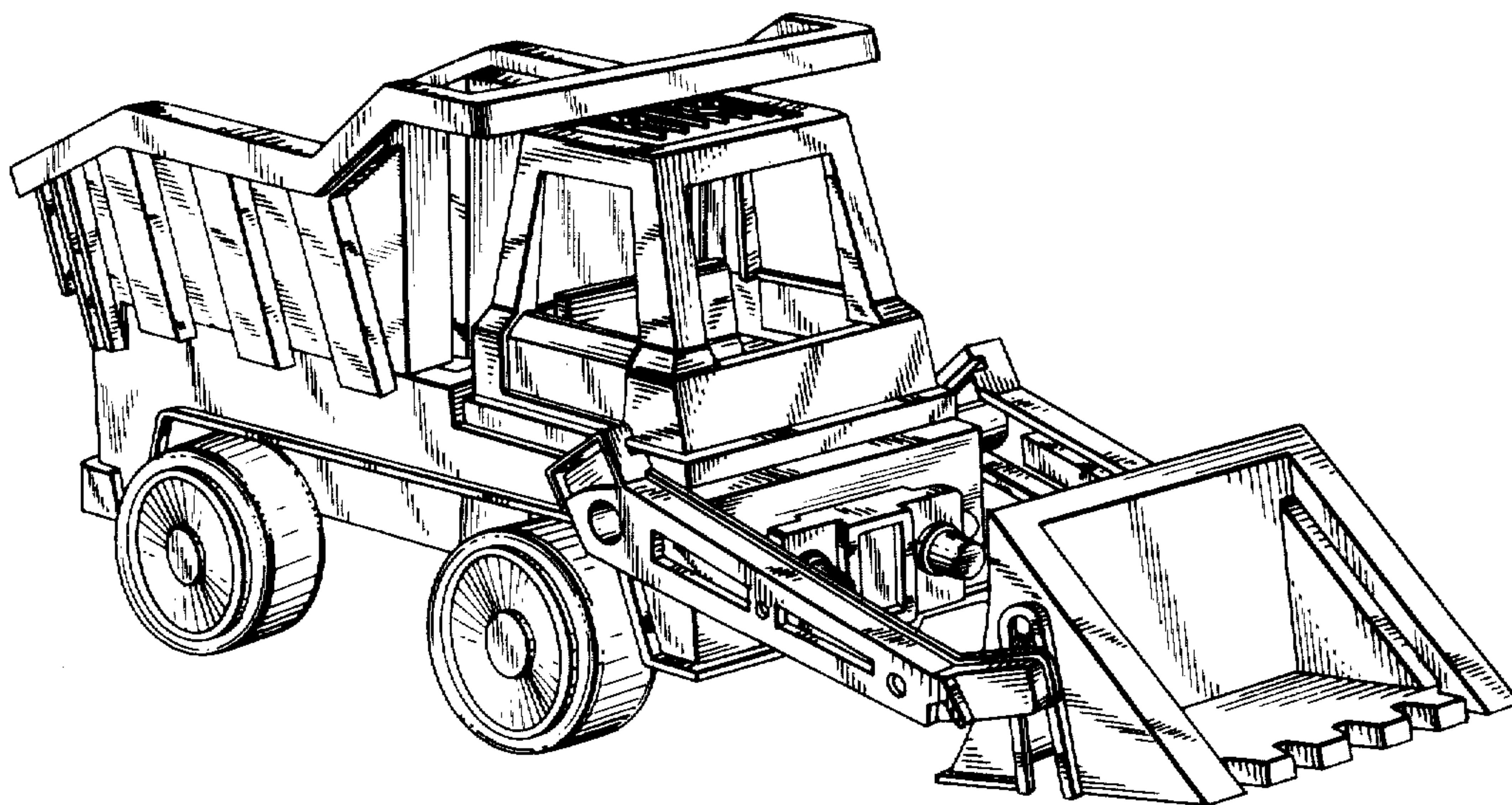
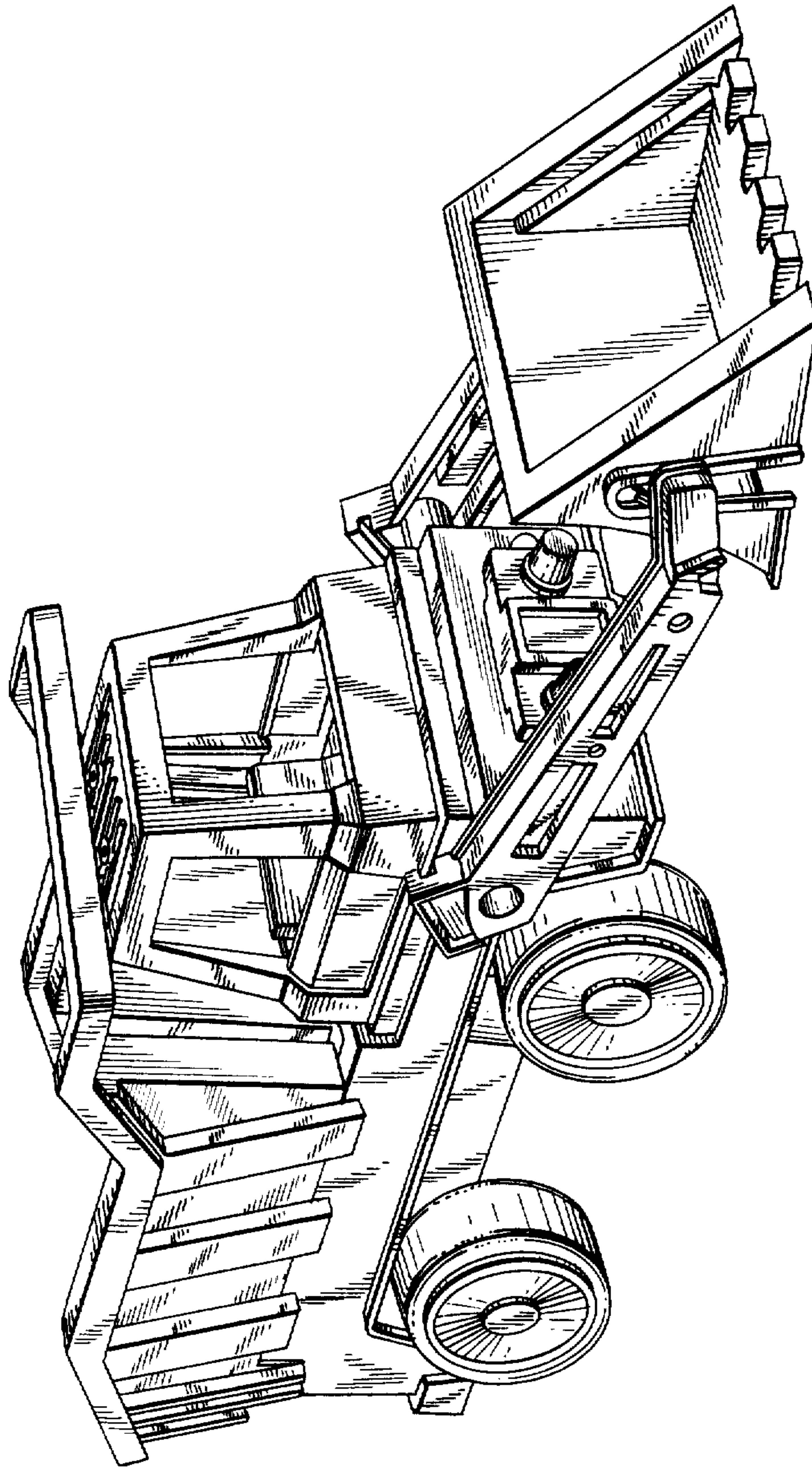


FIG. 1



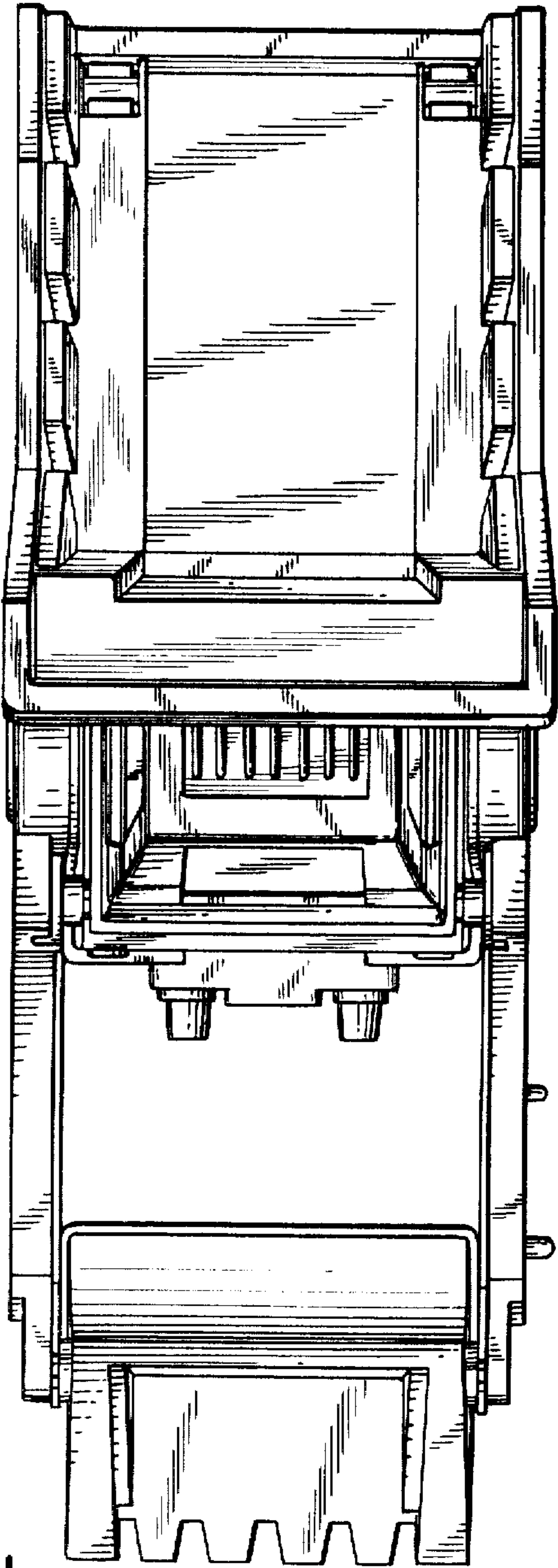


FIG. 2

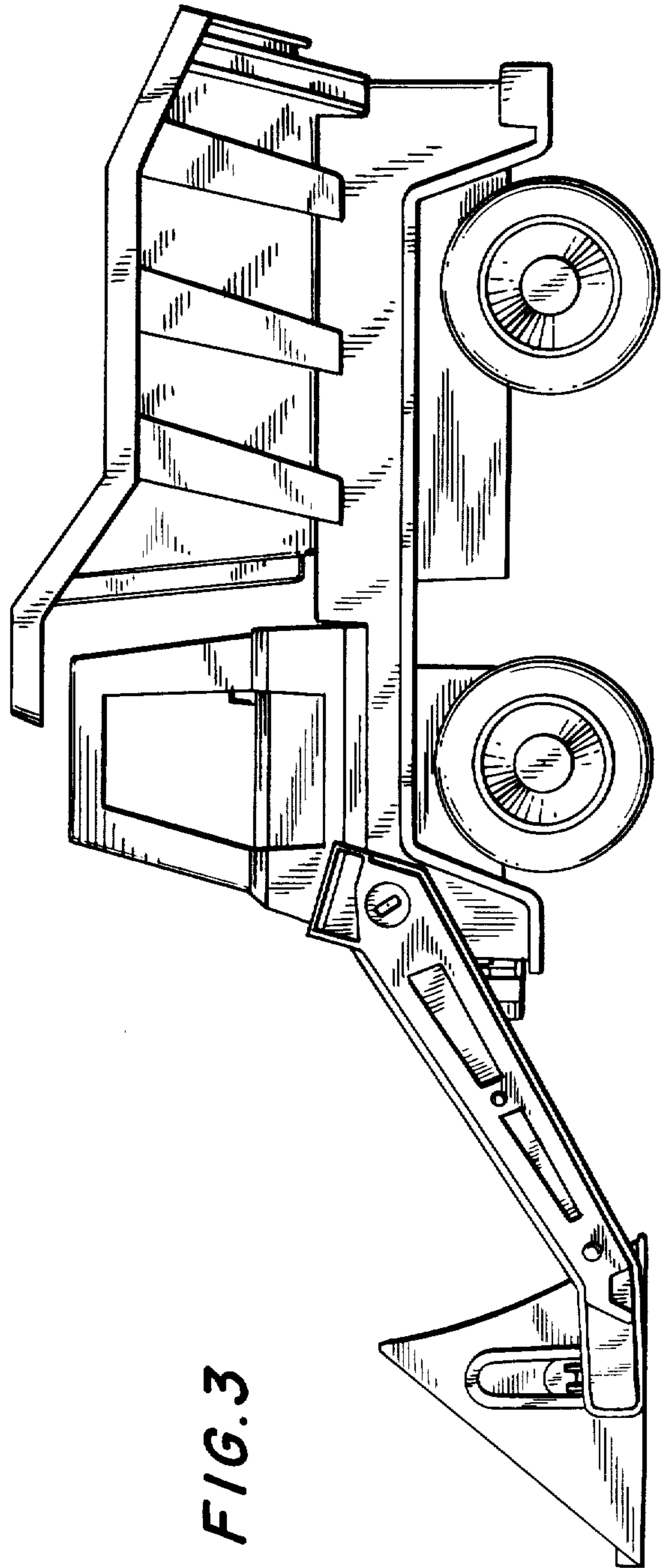


FIG. 3

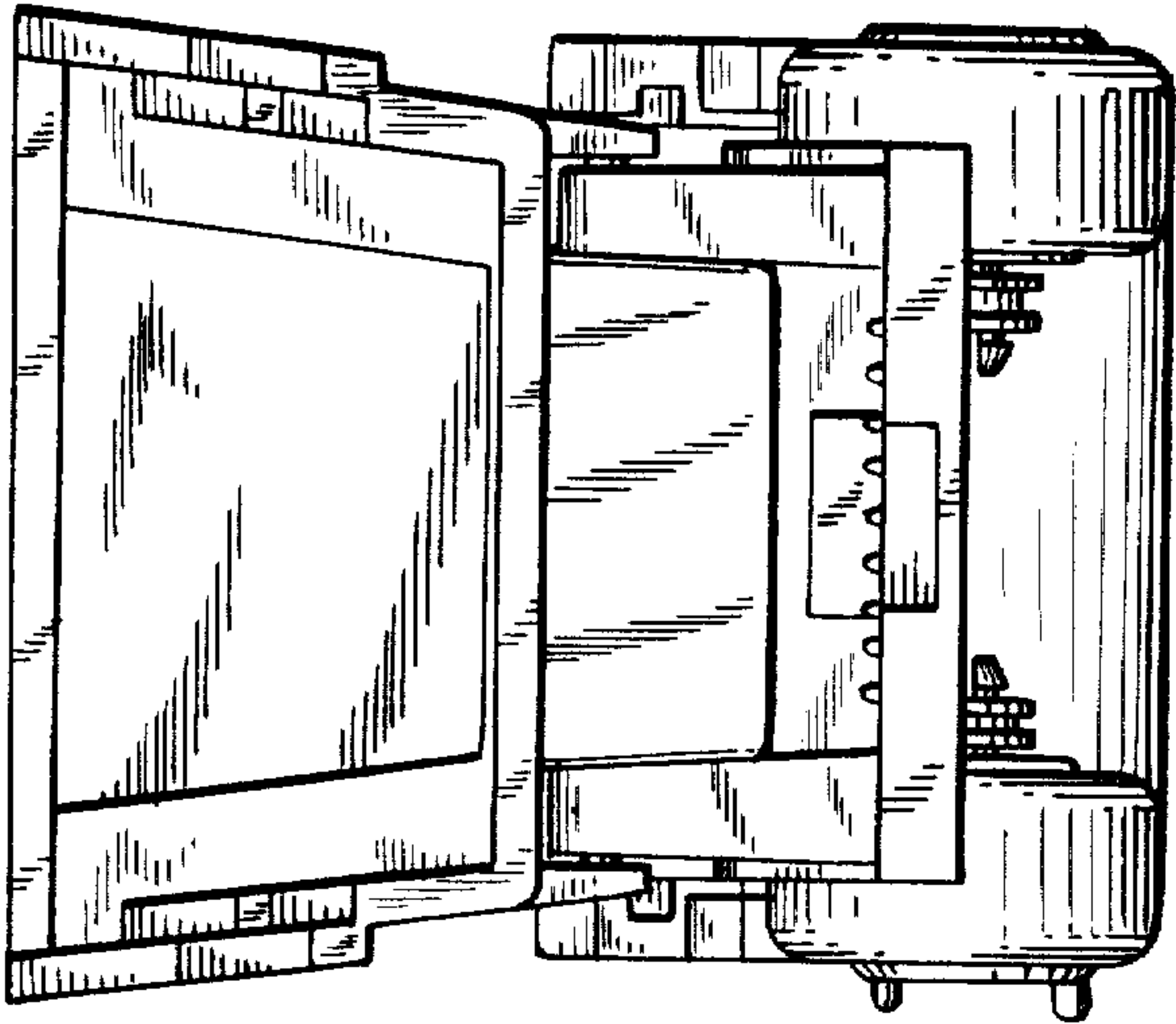


FIG. 5

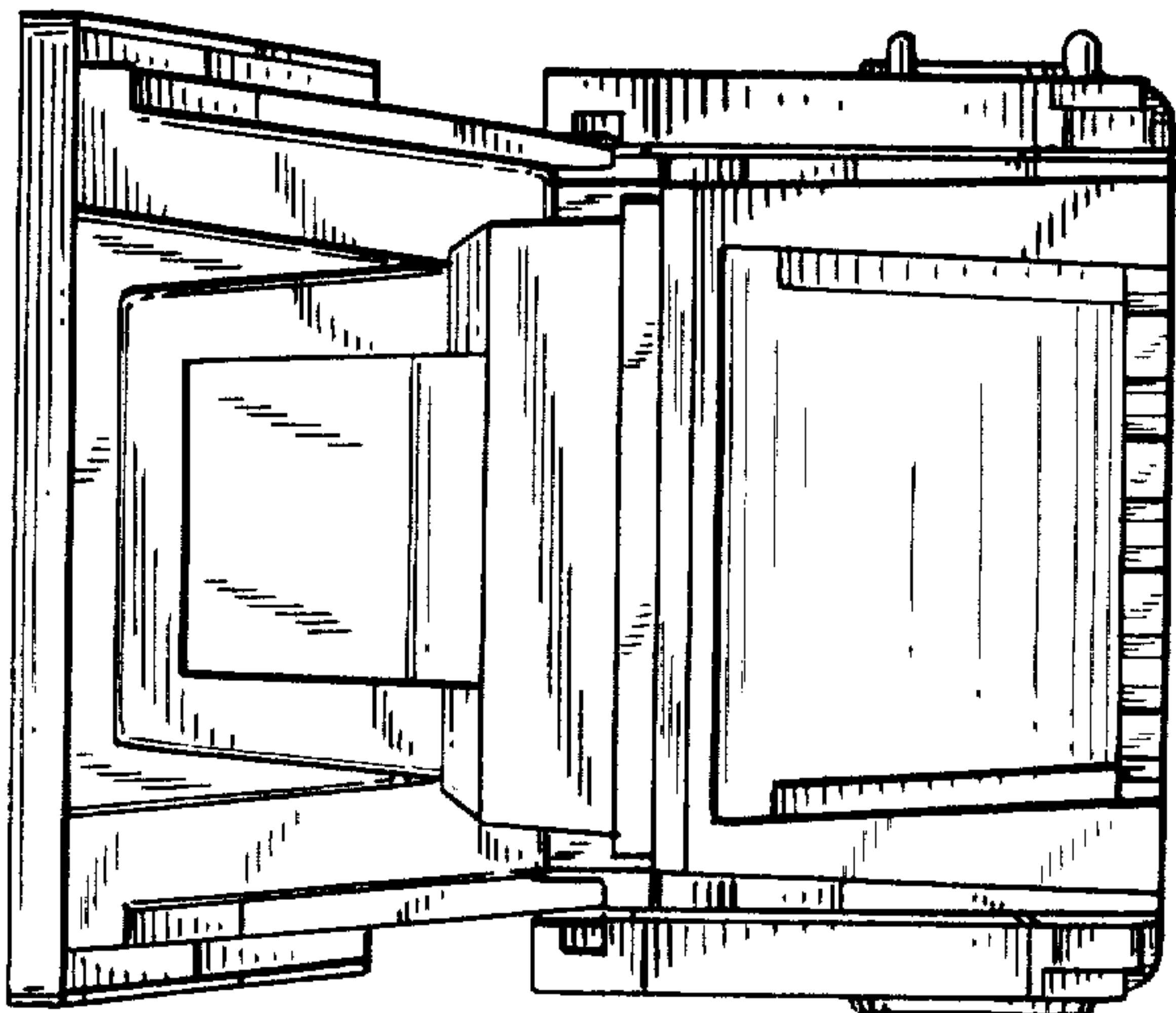


FIG. 4

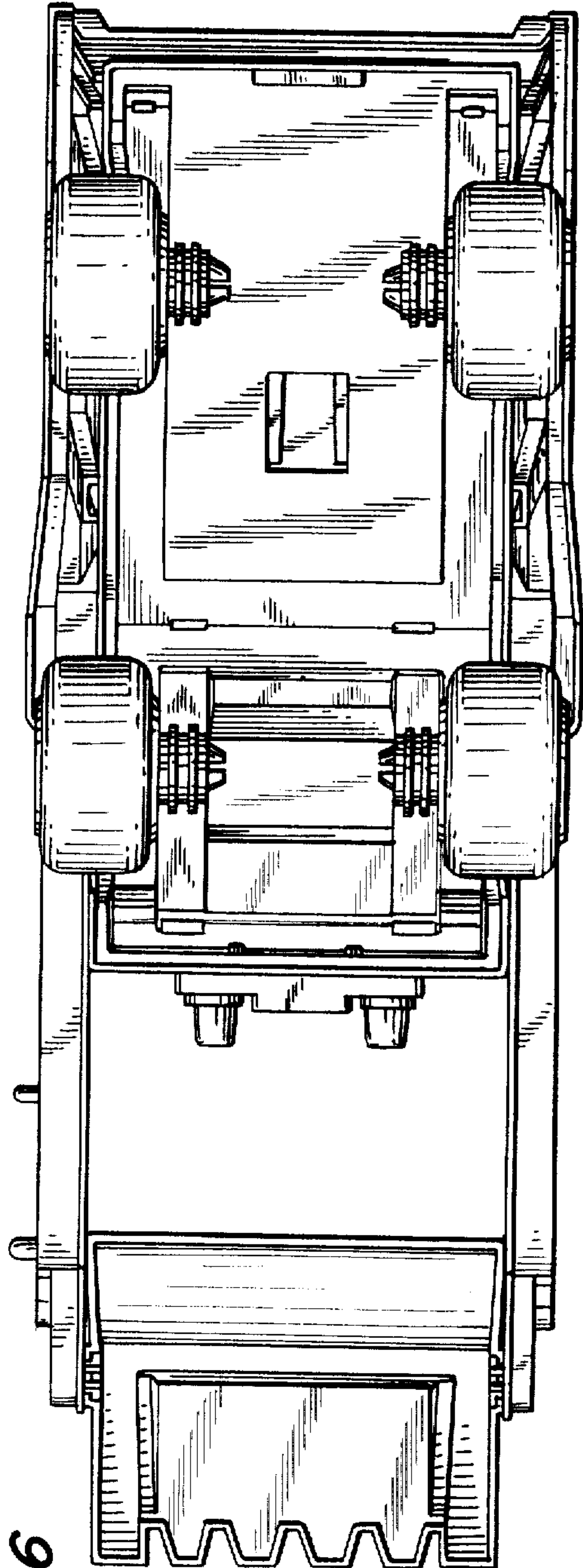


FIG. 6