

[54] SKATEBOARD SCOOTER

[76] Inventor: Eugeno P. Dinnocente, 3836 Laurel Canyon, Studio City, Calif. 91604

[**] Term: 14 Years

[21] Appl. No.: 77,737

[22] Filed: Sep. 21, 1979

[51] Int. Cl. D21-01

[52] U.S. Cl. D21/81

[58] Field of Search D21/76, 81, 128, 134, D21/135, 136, 137, 227; 280/87.01, 87.04 R, 87.04 B, 87.04 A, 87.05, 87.1

[56] References Cited

U.S. PATENT DOCUMENTS

- D. 108,503 2/1938 Ward D21/81
- D. 253,541 11/1979 Frago D21/81

Primary Examiner—Charles A. Rademaker
Attorney, Agent, or Firm—Frank L. Zugelter

[57] CLAIM

The ornamental design for a skateboard scooter, as shown.

DESCRIPTION

FIG. 1 is a front perspective view of a skateboard scooter showing my new design; and, FIG. 2 is a rear perspective view thereof.

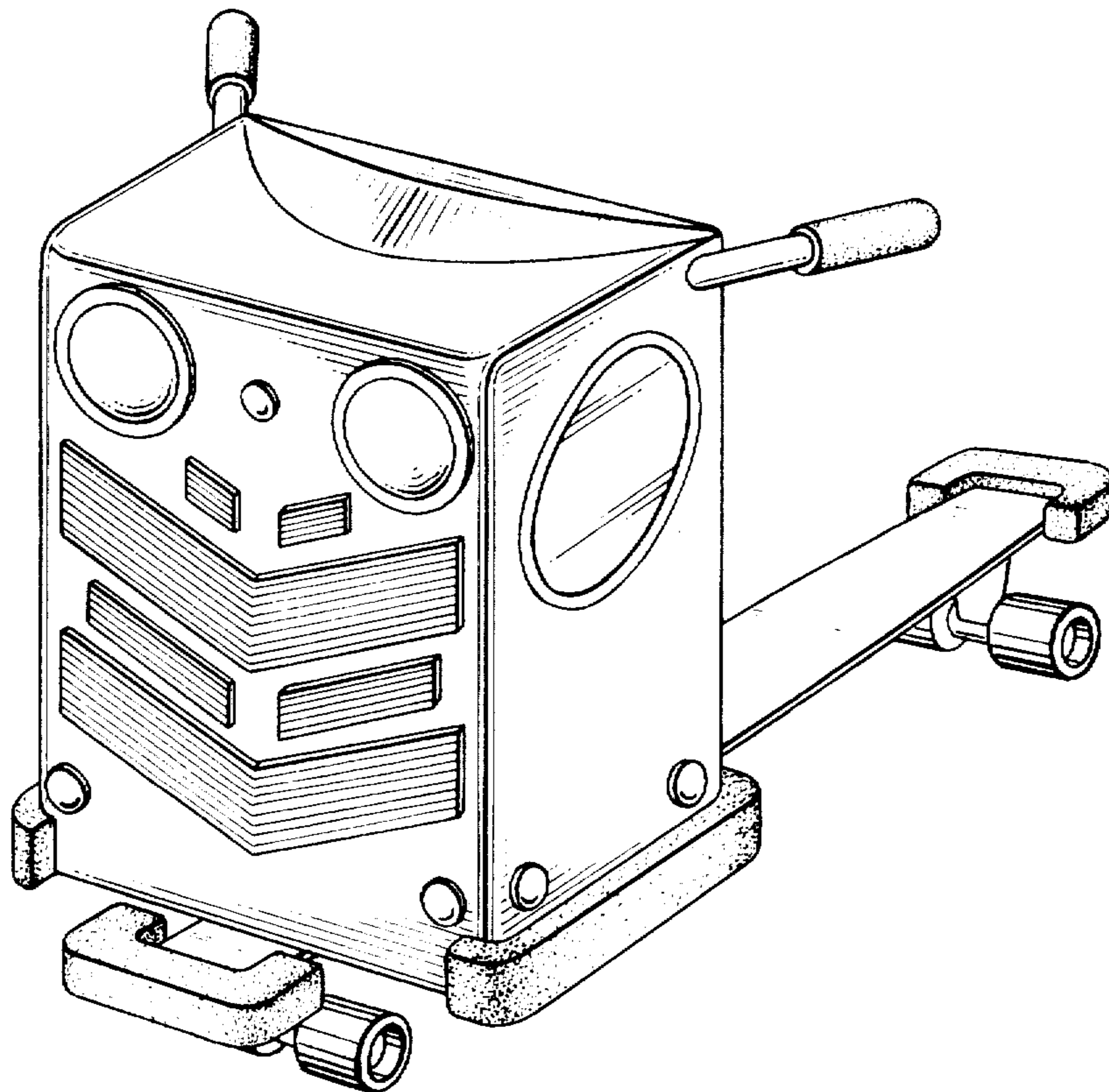


FIG. 1.

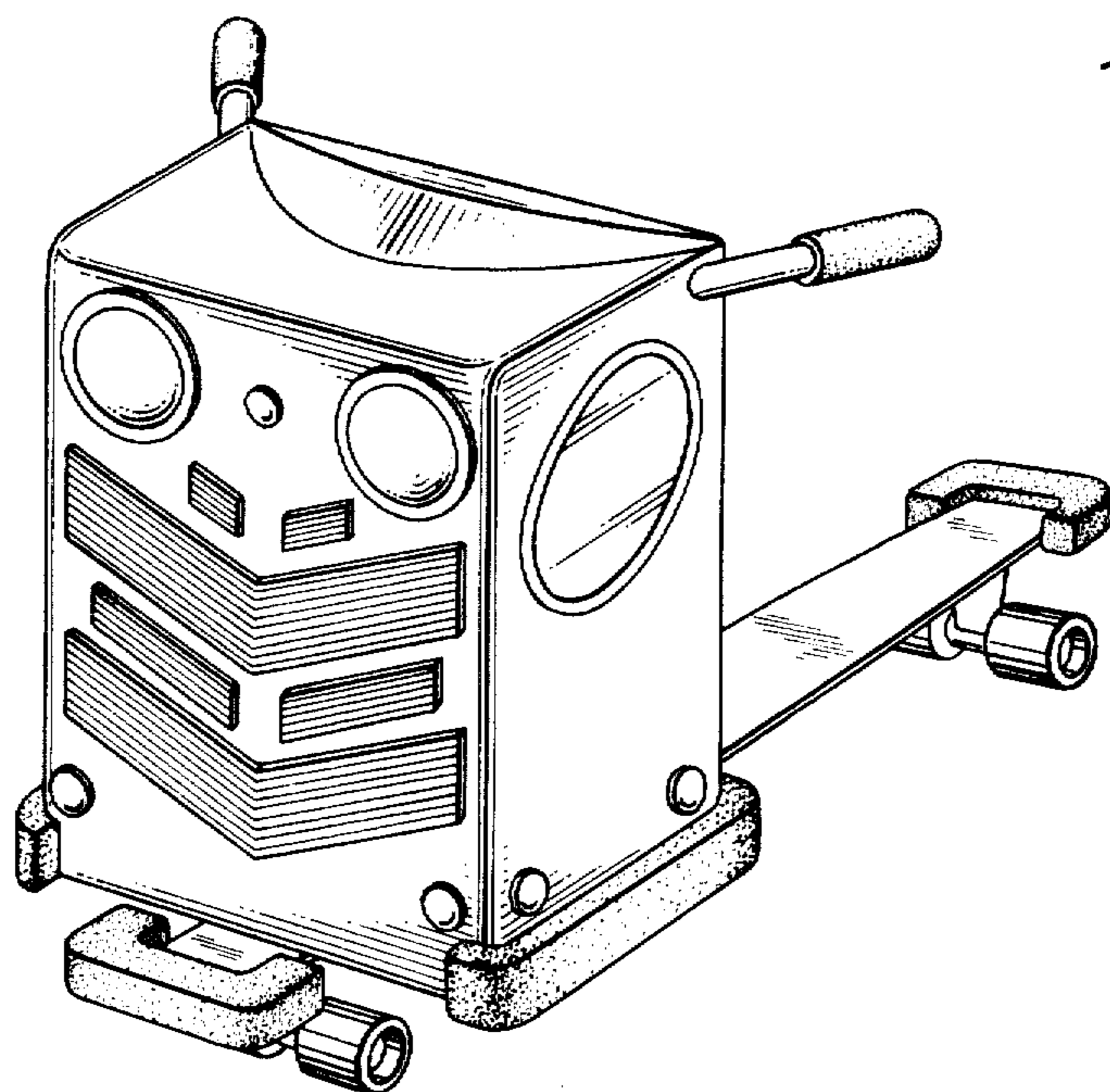


FIG. 2.

