

- [54] **POCKET SIZE RACING GAME BOX**
- [75] Inventor: **Masaaki Yoshimura**, Tokyo, Japan
- [73] Assignee: **Tomy Kogyo Co., Inc.**, Tokyo, Japan
- [**] Term: **14 Years**
- [21] Appl. No.: **116,488**
- [22] Filed: **Jan. 29, 1980**
- [51] Int. Cl. **D21-01**
- [52] U.S. Cl. **D21/27**
- [58] Field of Search **D21/7, 9, 10, 27;**
273/86 B, 86 H, 118-126 R

- [56] **References Cited**
- U.S. PATENT DOCUMENTS**
- D. 245,354 8/1977 Yamagata **D21/27**
- D. 245,355 8/1977 Yamagata **D21/27**

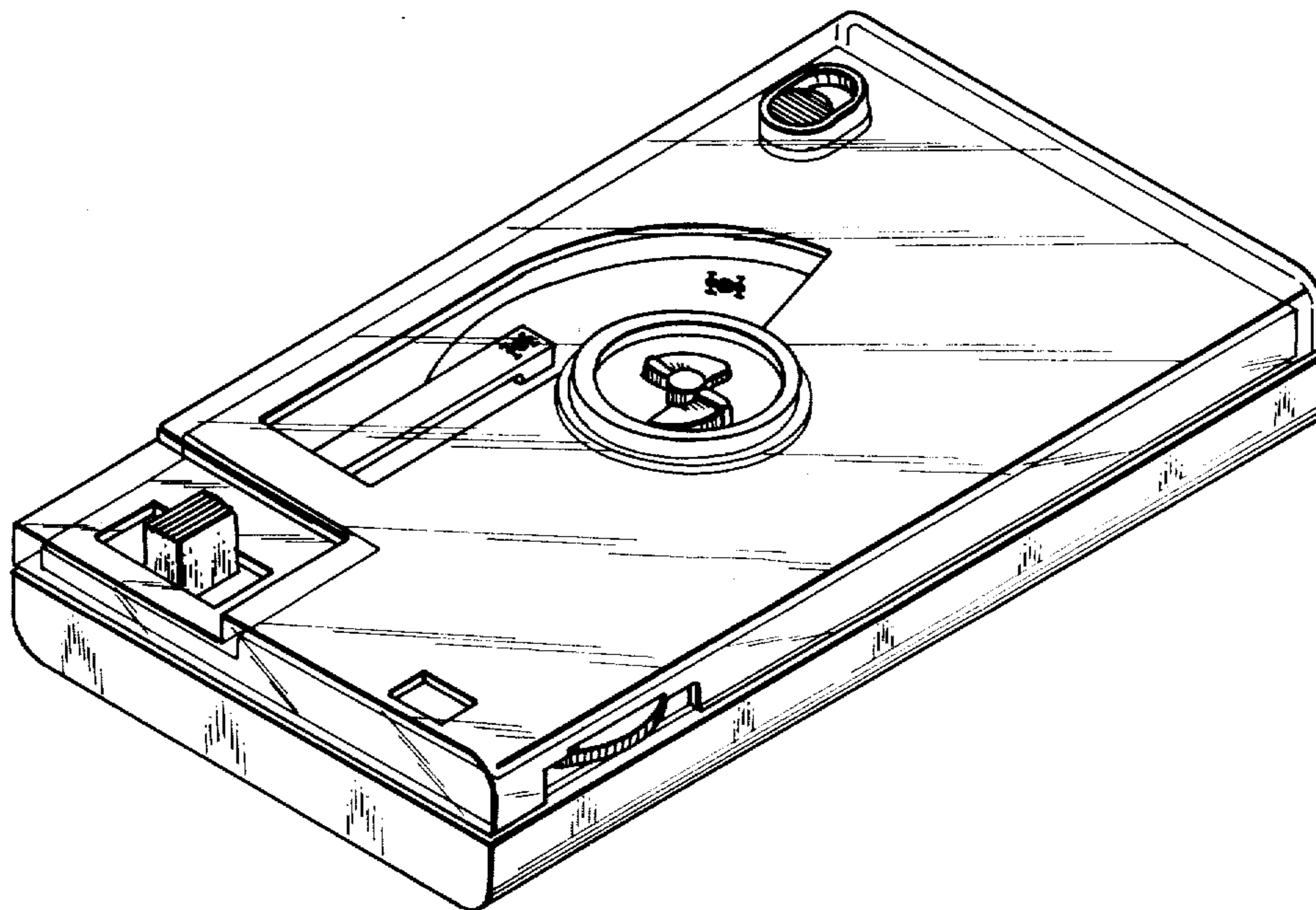
Primary Examiner—Melvin B. Feifer
Attorney, Agent, or Firm—K. H. Boswell; Edward D. O'Brian

[57] **CLAIM**

The ornamental design for a pocket size racing game box, substantially as shown and described.

DESCRIPTION

FIG. 1 is an isometric view showing the top, the right hand side and the near end of a pocket size racing game box showing my new design;
 FIG. 2 is an end elevational view showing the opposite end not shown in FIG. 1;
 FIG. 3 is a side elevational view showing the left hand side of the game of FIG. 1; and
 FIG. 4 is a bottom plan view showing the bottom of the game shown in FIG. 1.



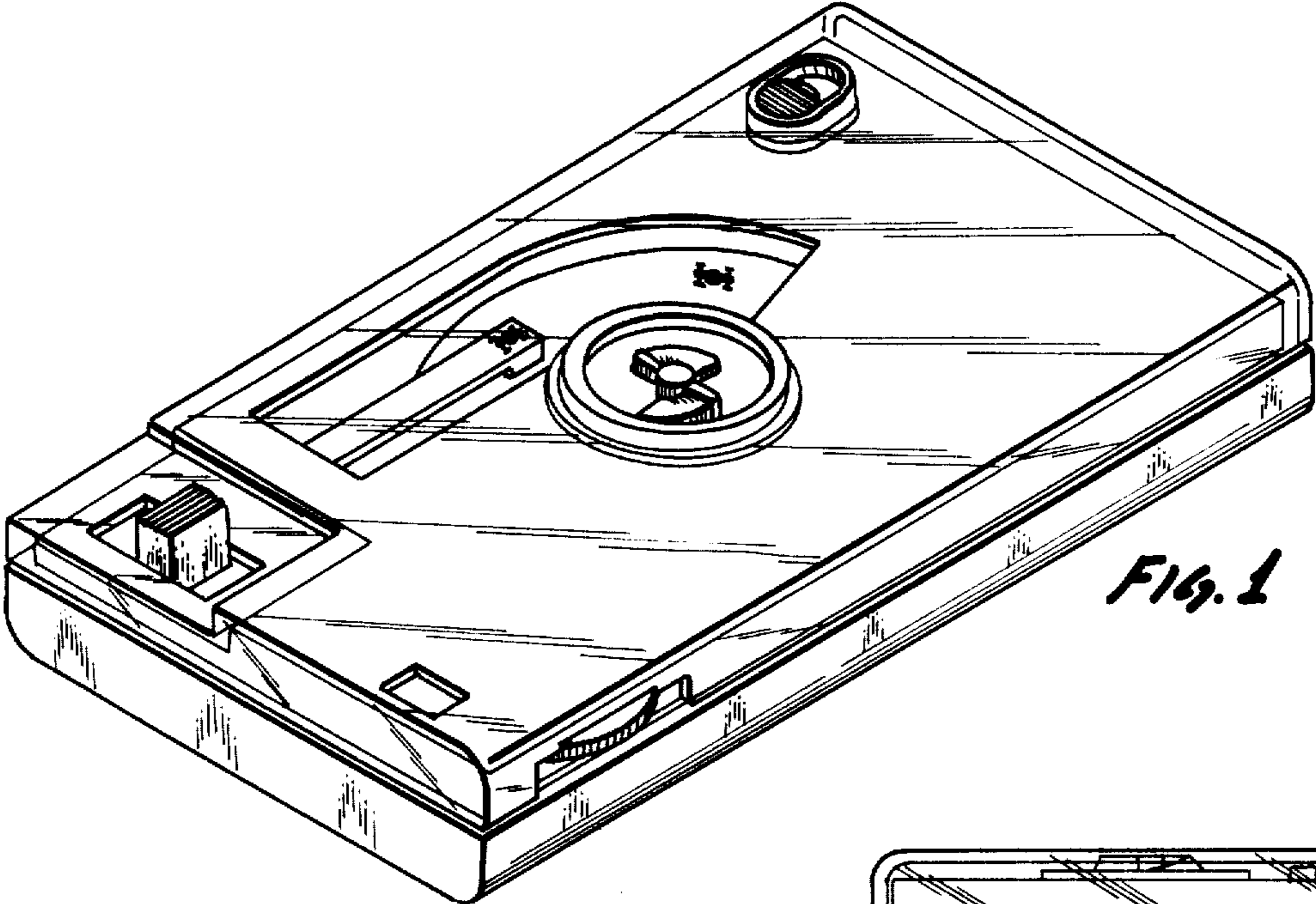


Fig. 1



Fig. 2

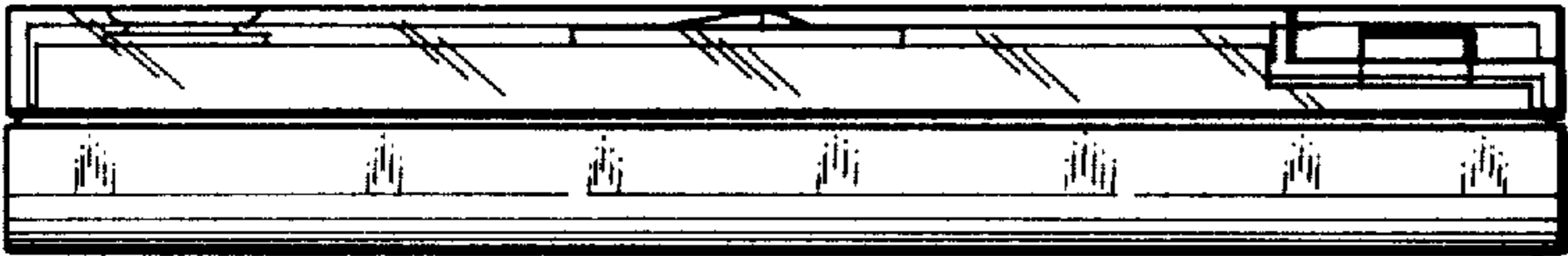
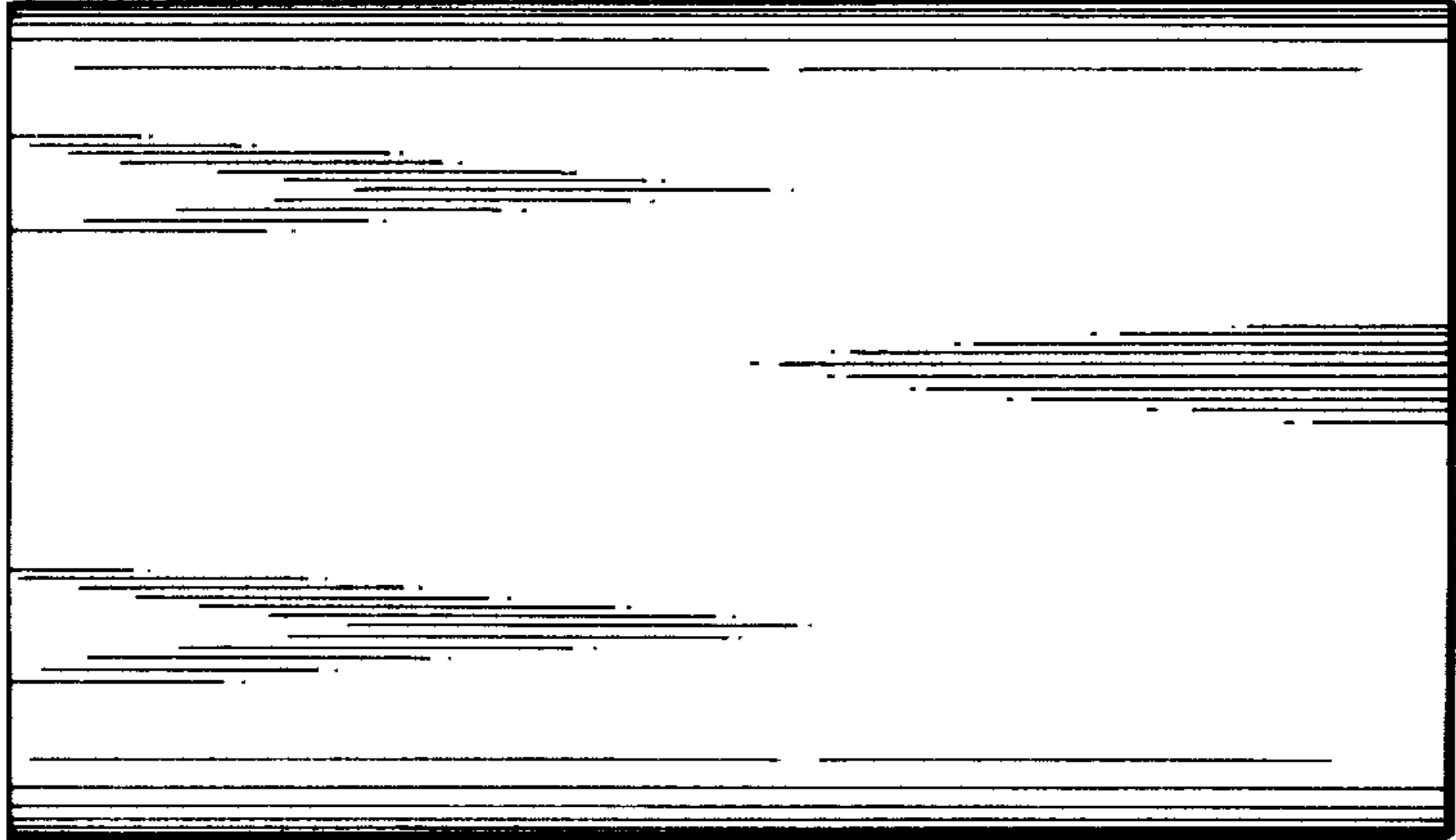


Fig. 3

Fig. 4



UNITED STATES PATENT AND TRADEMARK OFFICE
CERTIFICATE OF CORRECTION

PATENT NO. : Des. 264,103
DATED : April 27, 1982
INVENTOR(S) : MASSAKI YOSHIMURA

It is certified that error appears in the above-identified patent and that said Letters Patent are hereby corrected as shown below:

On The Title Page,

The title of the patent should read --RACING GAME BOX--
instead of "POCKET SIZE RACING GAME BOX".

Signed and Sealed this
Seventeenth Day of August 1982

[SEAL]

Attest:

Attesting Officer

GERALD J. MOSSINGHOFF

Commissioner of Patents and Trademarks