

[54] **POCKET SIZE GAME BOX**
[75] Inventor: **Masaki Mayuzumi**, Tokyo, Japan
[73] Assignee: **Tomy Kogyo Co., Inc.**, Tokyo, Japan
[**] Term: **14 Years**
[21] Appl. No.: **116,474**
[22] Filed: **Jan. 29, 1980**
[51] Int. Cl. **D21-01**
[52] U.S. Cl. **D21/10**
[58] Field of Search **D21/7, 9, 10, 27;**
273/86 B, 86 H, 118-126 R

[56] **References Cited**

U.S. PATENT DOCUMENTS

D. 242,557 11/1976 Lohr et al. D21/10
D. 245,355 8/1977 Yamagata D21/27

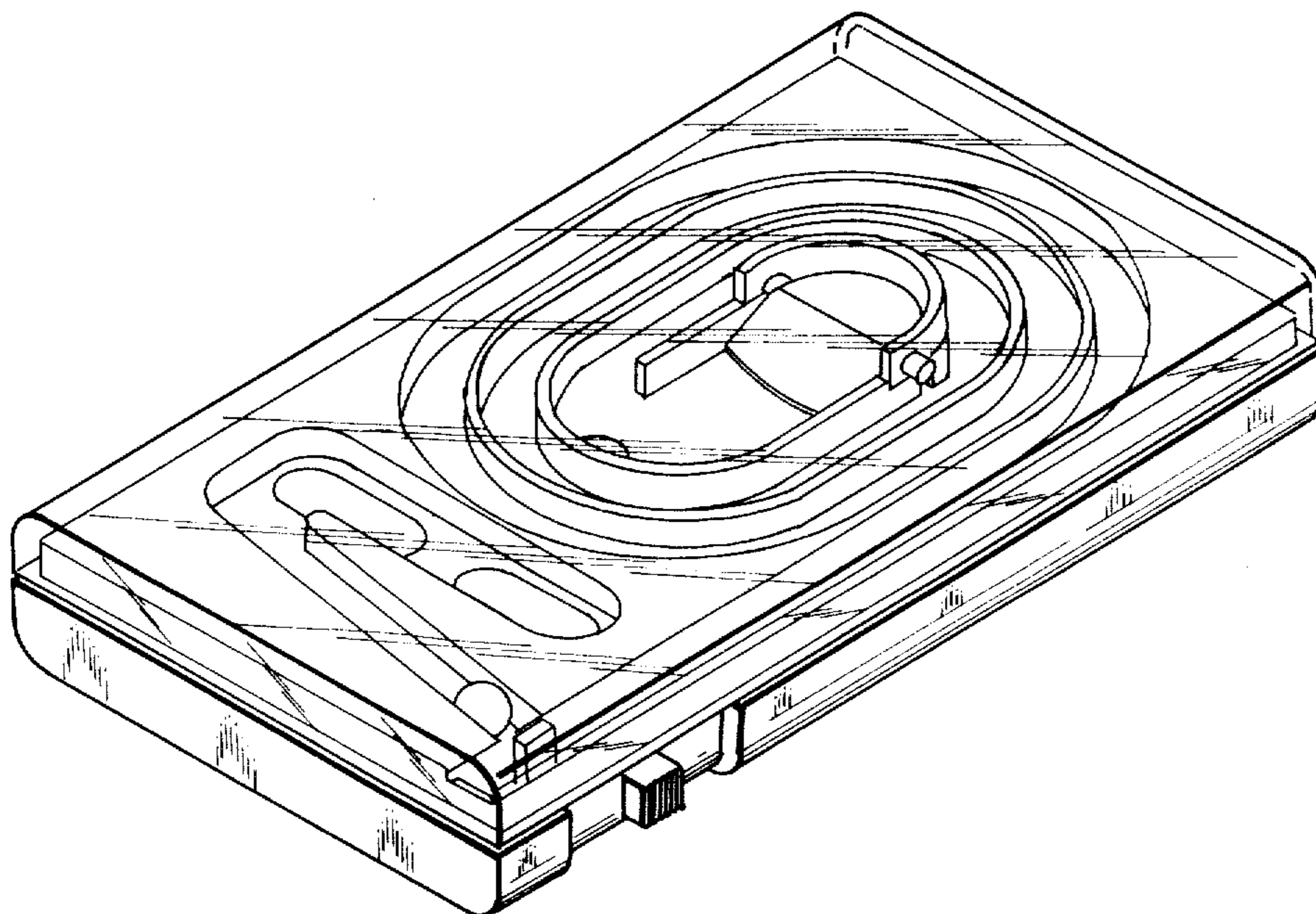
Primary Examiner—Melvin B. Feifer
Attorney, Agent, or Firm—K. H. Boswell; Edward D. O'Brian

[57] **CLAIM**

The ornamental design for a pocket size game box, substantially as shown and described.

DESCRIPTION

FIG. 1 is an isometric view of the top, the right hand side and the near end of a pocket size game box showing my new design;
FIG. 2 is an end elevational view showing the opposite end not shown in FIG. 1;
FIG. 3 is a side elevational view of the left hand side of the game shown in FIG. 1; and
FIG. 4 is a bottom plan view showing the bottom of the game shown in FIG. 1.



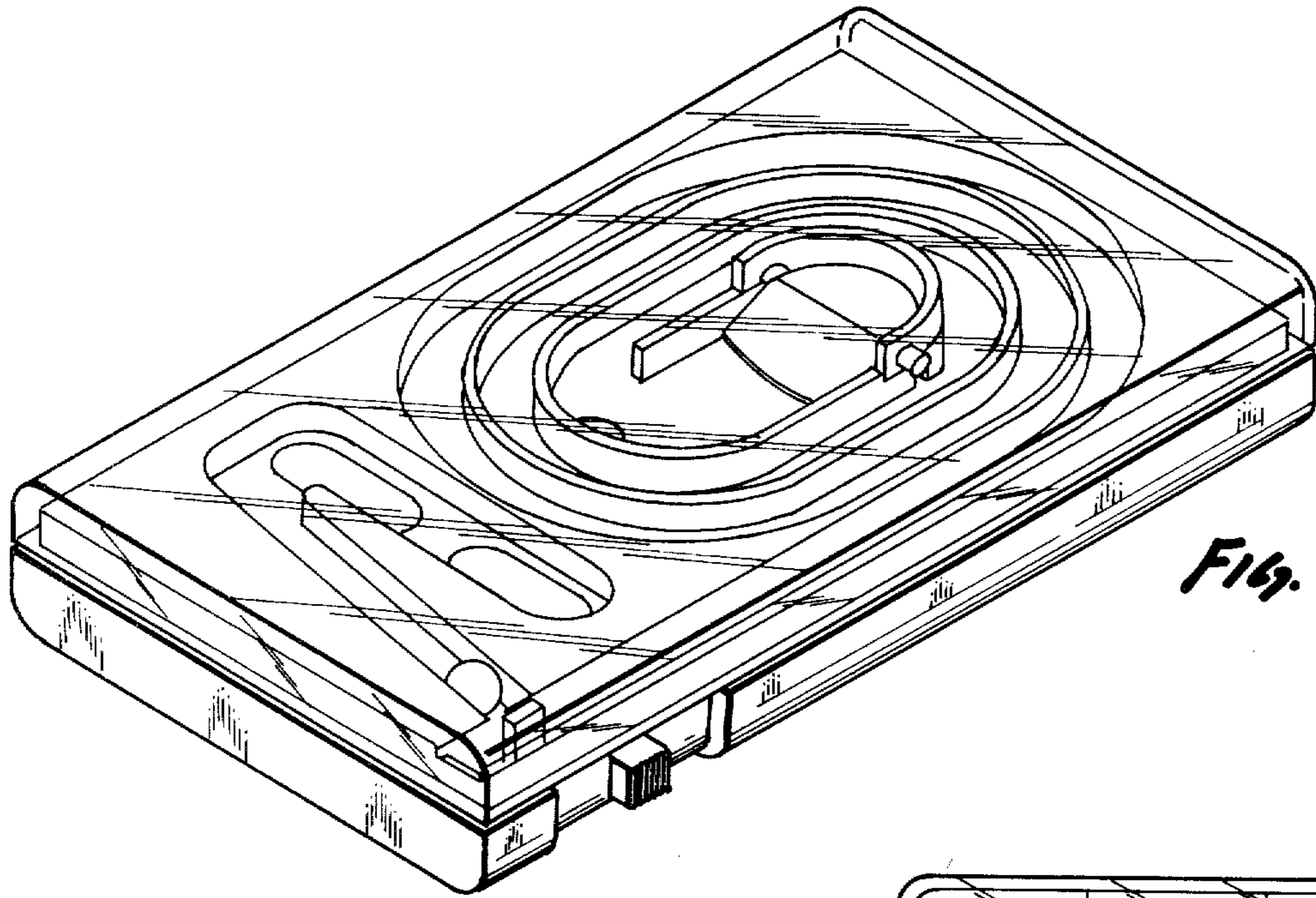


Fig. 1

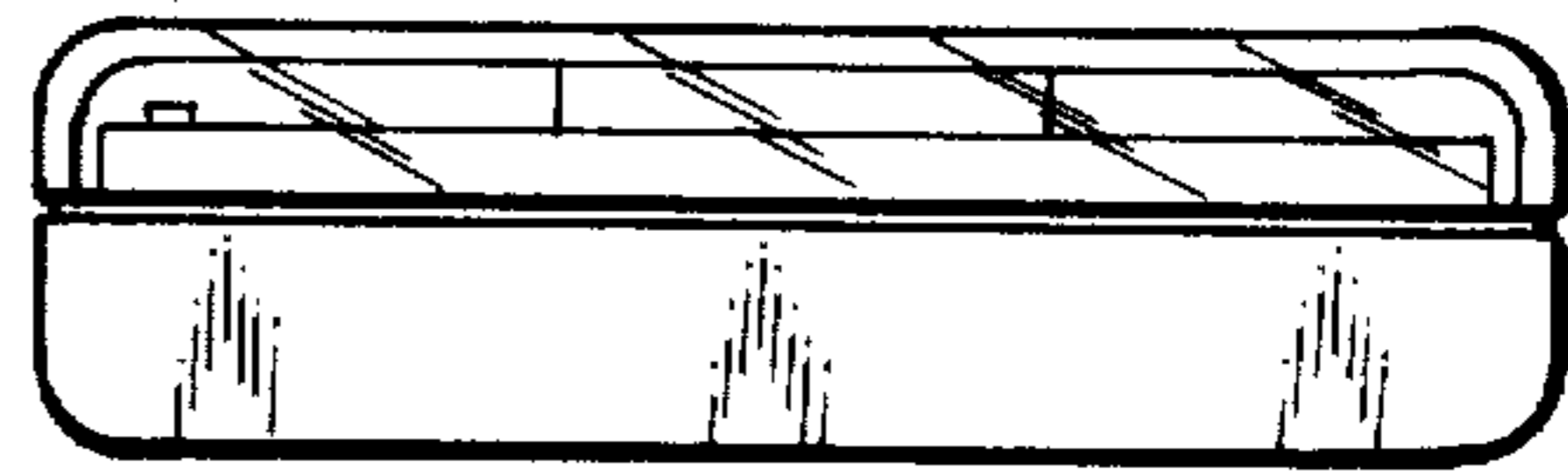


Fig. 2

Fig. 3

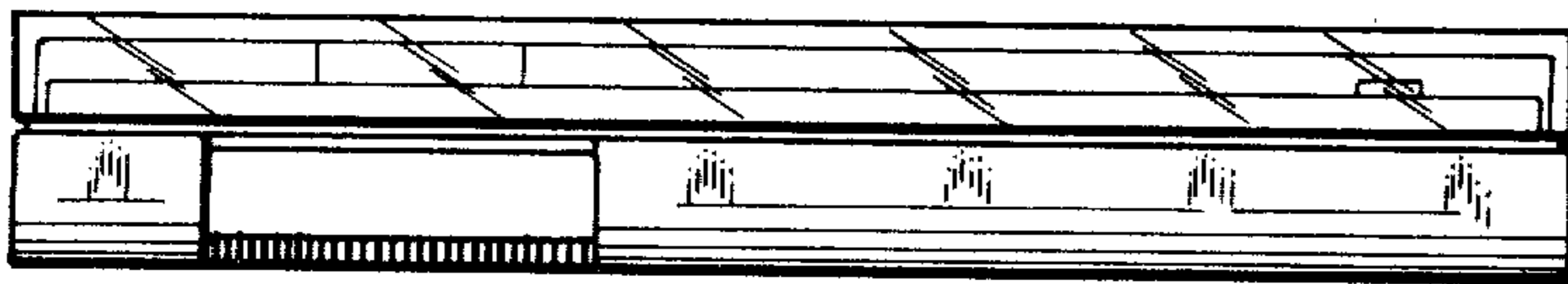
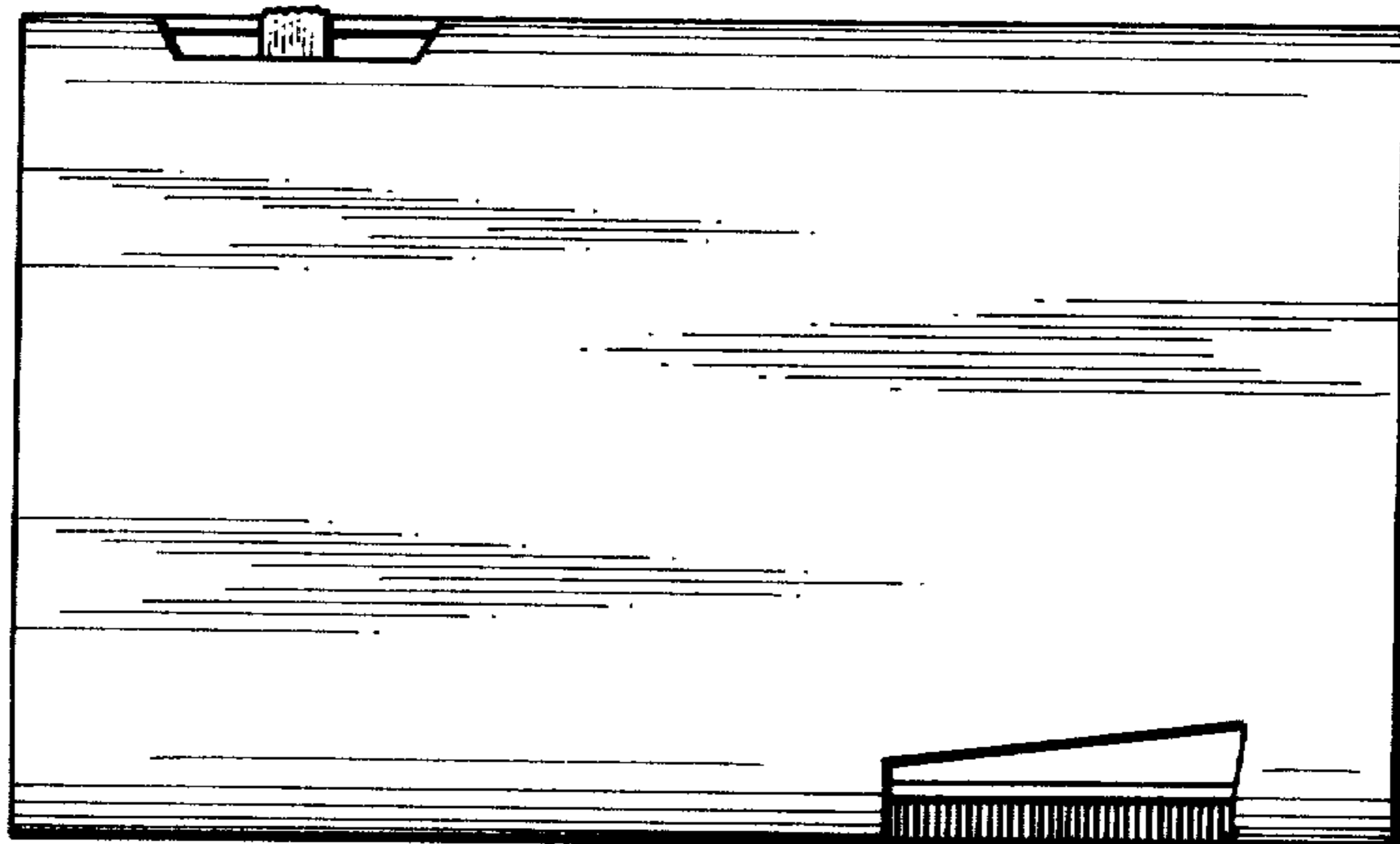


Fig. 4



UNITED STATES PATENT AND TRADEMARK OFFICE
CERTIFICATE OF CORRECTION

PATENT NO. : Des. 264,098
DATED : April 27, 1982
INVENTOR(S) : MASAKI MAYUZUMI

It is certified that error appears in the above-identified patent and that said Letters Patent are hereby corrected as shown below:

On the title page

The title of the patent should read --GAME BOX HOUSING-- instead of "POCKET SIZE GAME BOX".

Signed and Sealed this

Third Day of August 1982

[SEAL]

Attest:

Attesting Officer

GERALD J. MOSSINGHOFF

Commissioner of Patents and Trademarks