

[54] COMBINED ARTICLE SUPPORT AND BINDER

[76] Inventor: Donald B. Smith, R.R. No. 1, Mount Brydges, Ontario, Canada, N0L 1W0

[**] Term: 14 Years

[21] Appl. No.: 54,830

[22] Filed: Jul. 5, 1979

[30] Foreign Application Priority Data

Jun. 4, 1979 [CA] Canada 0406795

[51] Int. Cl. D19-04

[52] U.S. Cl. D19/27; D19/91

[58] Field of Search D19/26, 27, 28-32, D19/91; 281/33, 15, 45; 248/454, 455, 460, 464; D6/180

[56] References Cited

U.S. PATENT DOCUMENTS

2,587,316 2/1952 Henry 281/33
4,015,863 4/1977 Holum D19/27

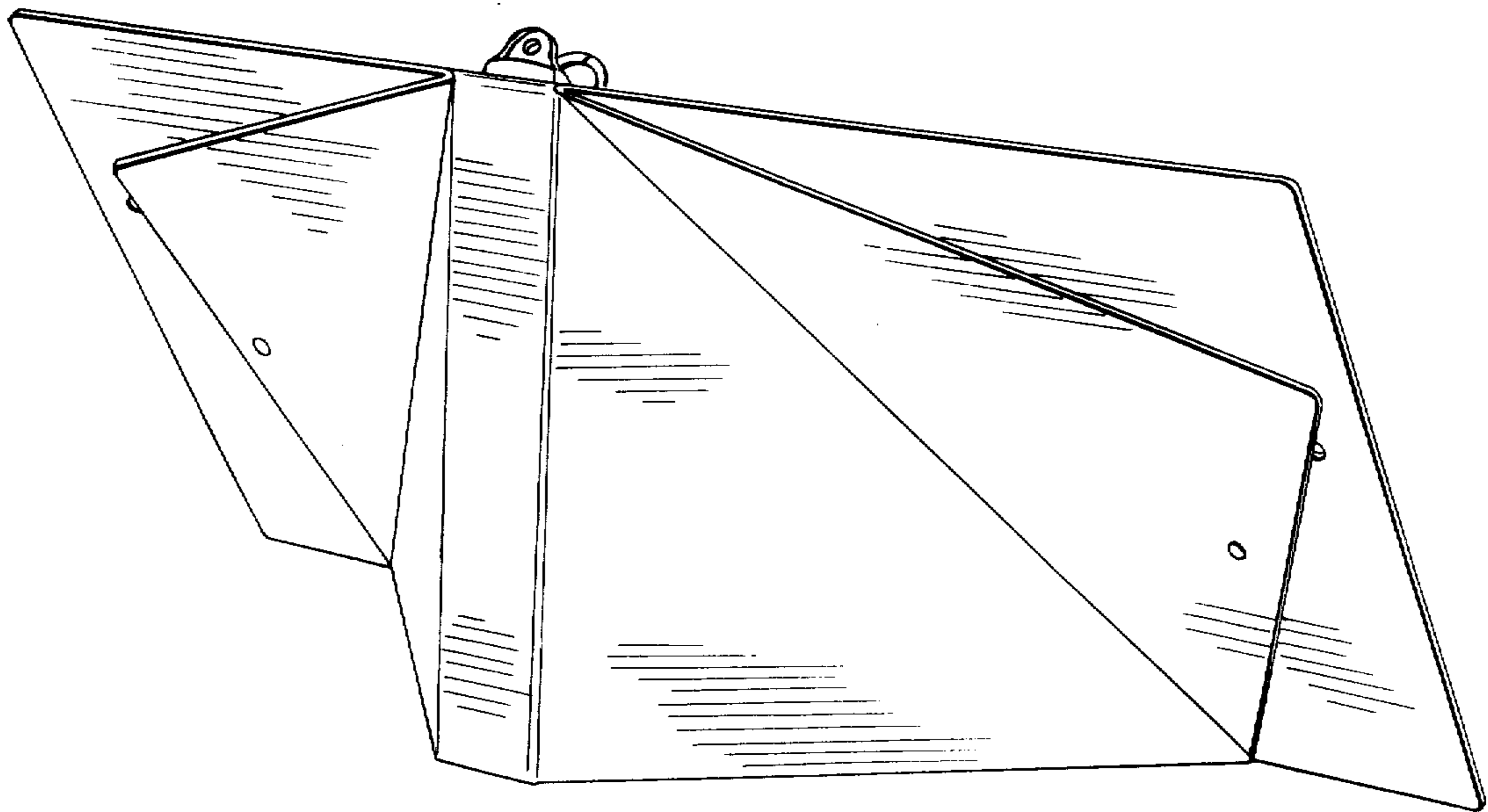
Primary Examiner—George P. Word
Attorney, Agent, or Firm—Weldon F. Green

[57] CLAIM

The ornamental design for a combined article support and binder, as shown and described.

DESCRIPTION

FIG. 1 is a perspective view of a combined article support and binder showing my new design; FIG. 2 is a bottom rear perspective view thereof; FIG. 3 is an enlarged scale rear perspective view of the opposite side of FIG. 2; FIG. 4 is a right side elevational view of FIG. 1, the left side elevational view being a mirror image thereof.



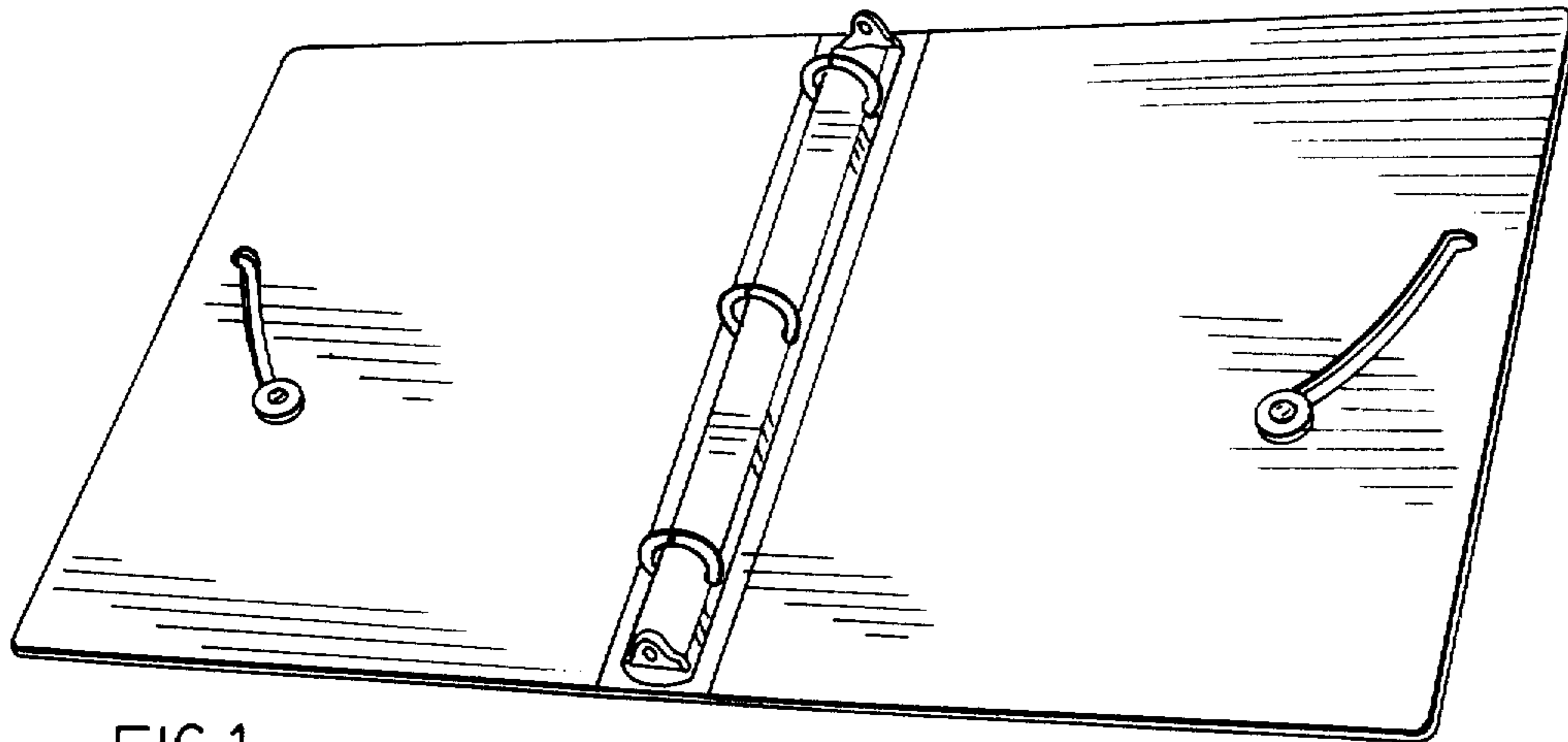


FIG. 1

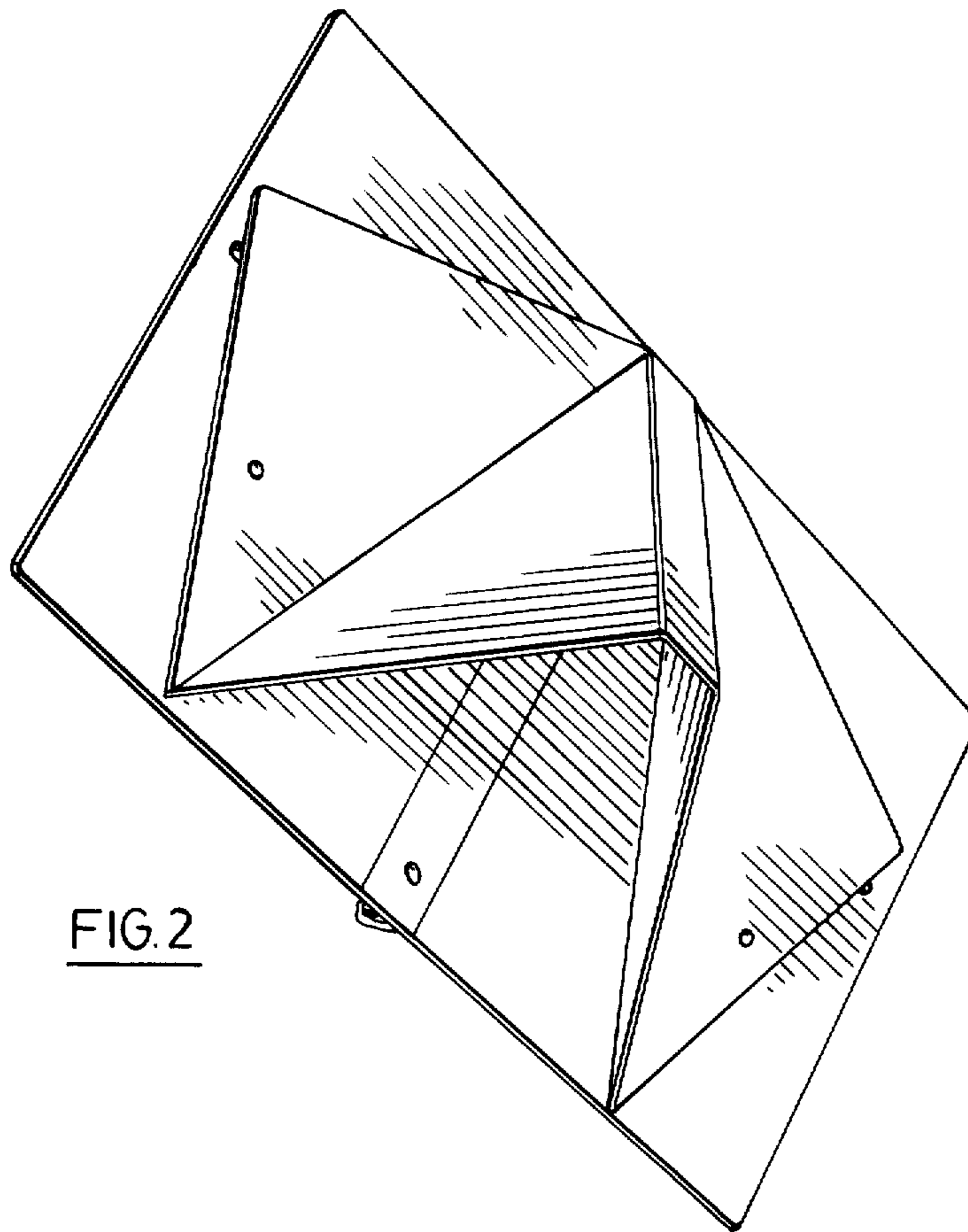


FIG. 2

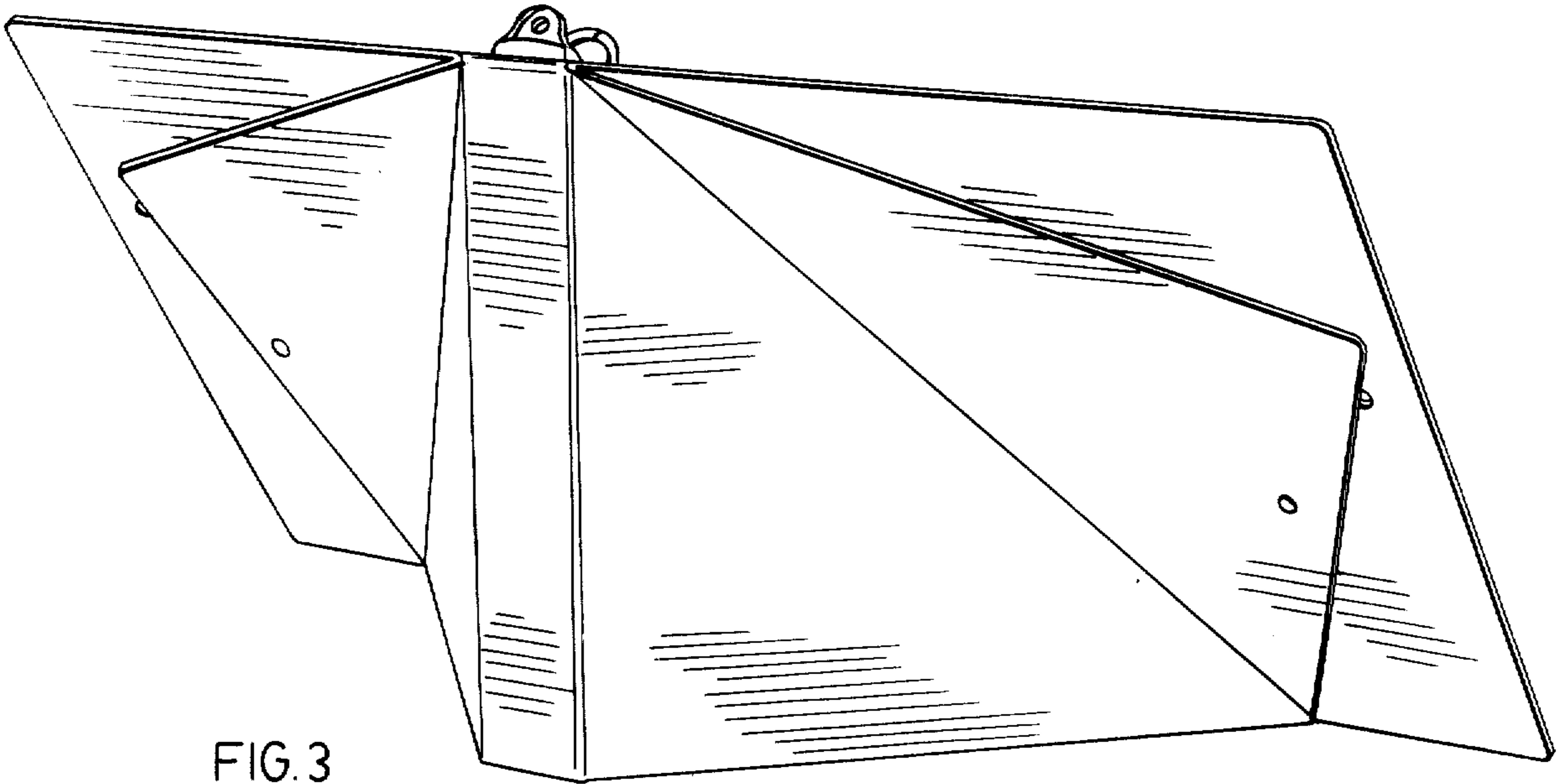


FIG. 3

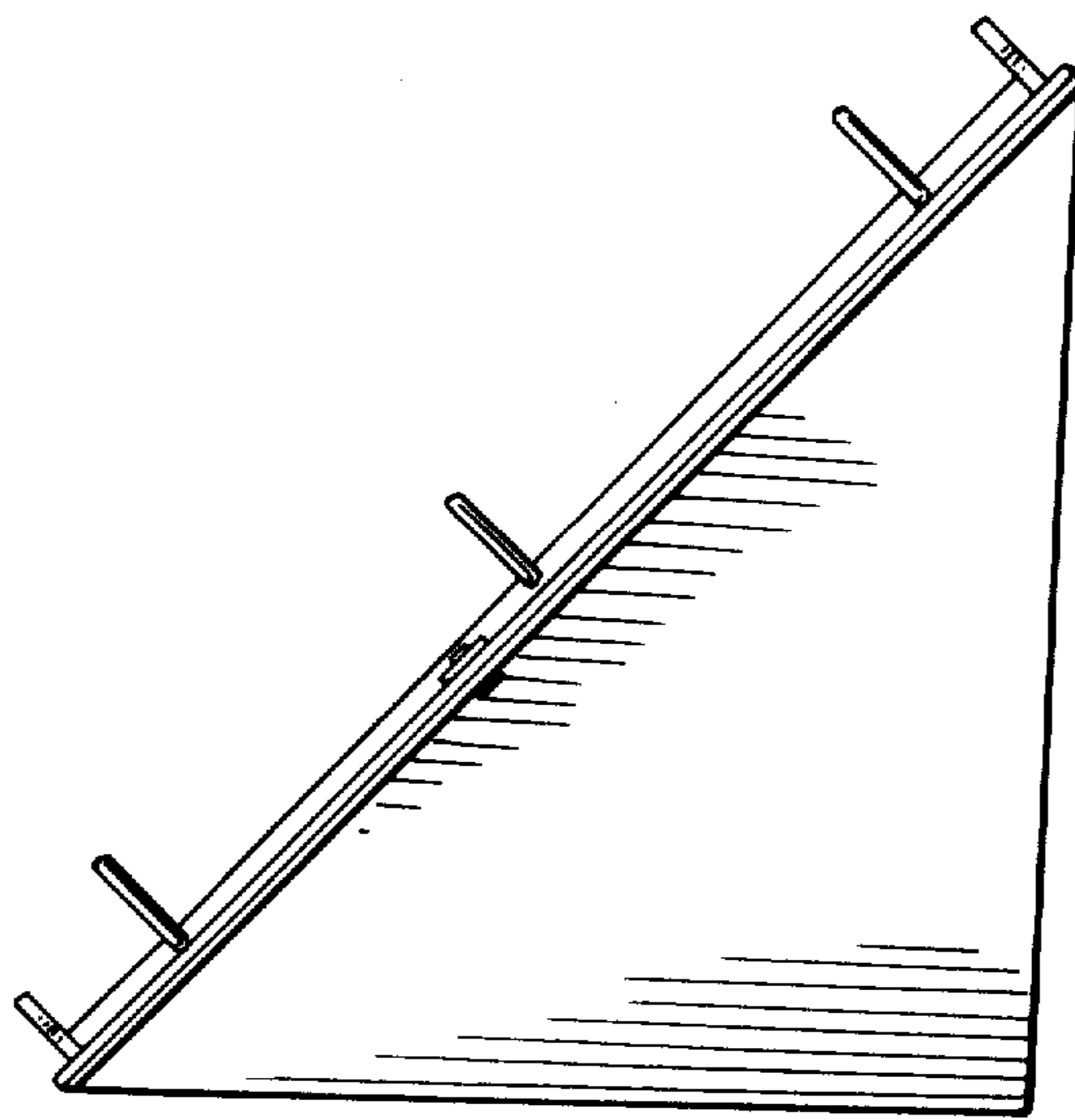


FIG. 4