

[54] DESK DRAWER MICROFICHE READER

[75] Inventors: William T. Link, Berkeley; Stephen Hobson, Palo Alto, both of Calif.

[73] Assignee: Datagraphix, Inc., San Diego, Calif.

[**] Term: 14 Years

[21] Appl. No.: 127,264

[22] Filed: Mar. 4, 1980

[51] Int. Cl. D16-03

[52] U.S. Cl. D16/18; D16/14

[58] Field of Search D16/11-19; 40/361; 350/241

[56] References Cited

U.S. PATENT DOCUMENTS

D. 215,969	11/1969	Anderson	D16/19 X
D. 219,554	12/1970	Prazsky	D16/19 X
D. 250,266	11/1978	Overman	D16/11

Primary Examiner—Leland A. Sebastian
Attorney, Agent, or Firm—Flehr, Hohbach, Test, Albritton & Herbert

[57] CLAIM

The ornamental design for a desk drawer microfiche reader, as shown and described.

DESCRIPTION

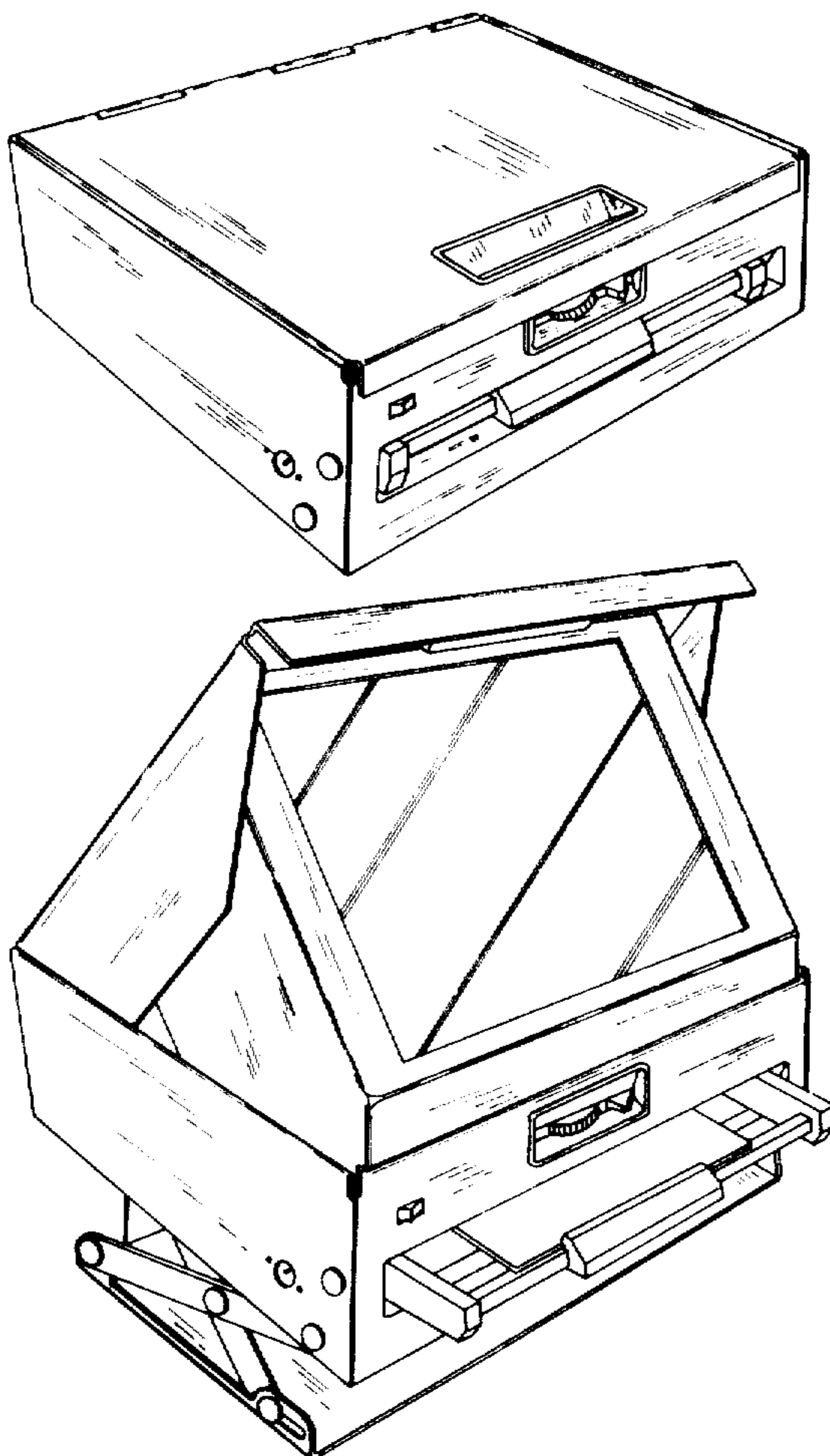
FIG. 1 is a front, left side perspective view of a desk drawer microfiche reader showing our new design in a closed position;

FIG. 2 is a front, left side perspective view in an opened position;

FIG. 3 is a right side elevational view in a closed position; and,

FIG. 4 is a right side elevational view in an opened position.

The rear and bottom are not shown and are plain and unornamented.



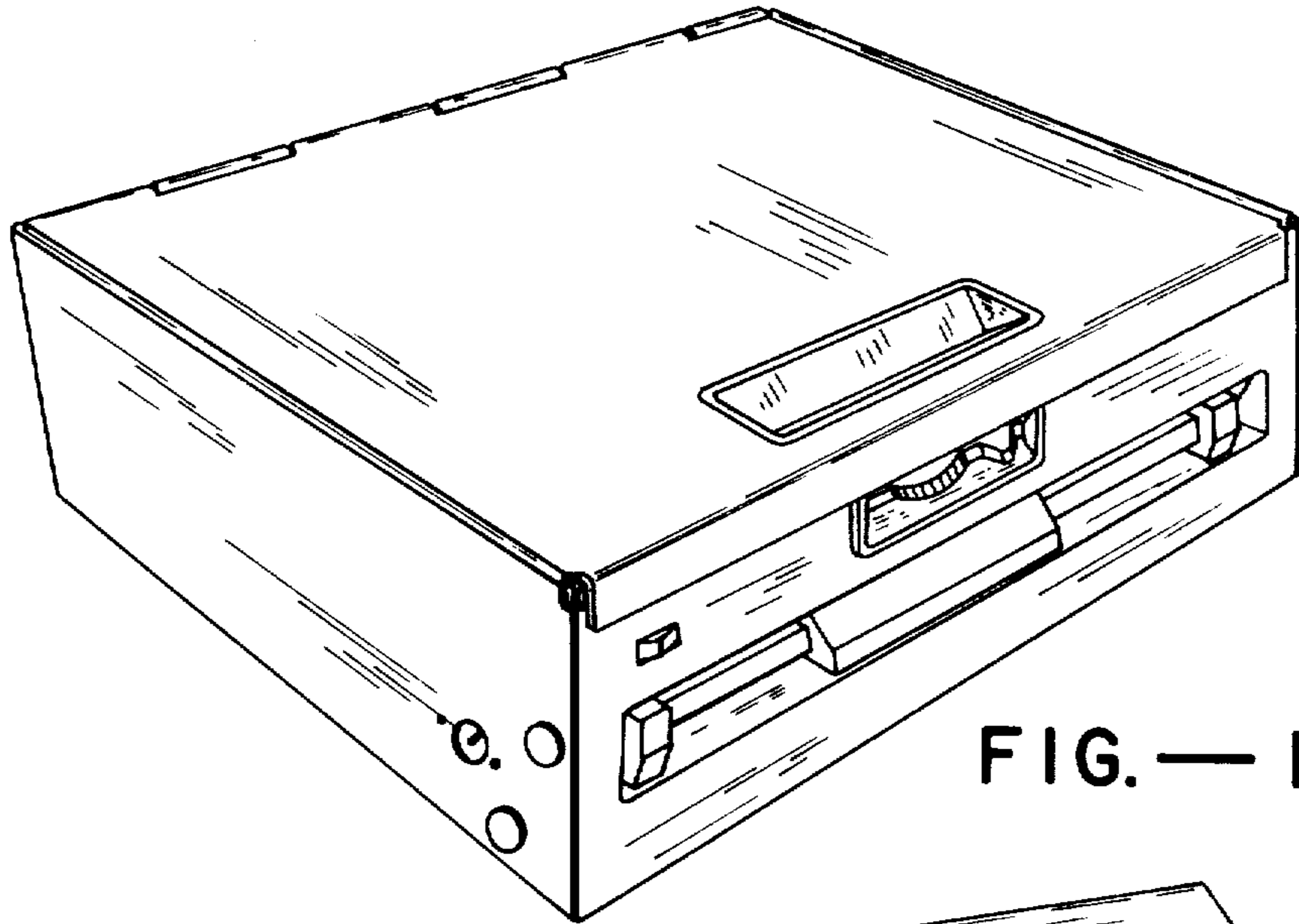


FIG. — 1

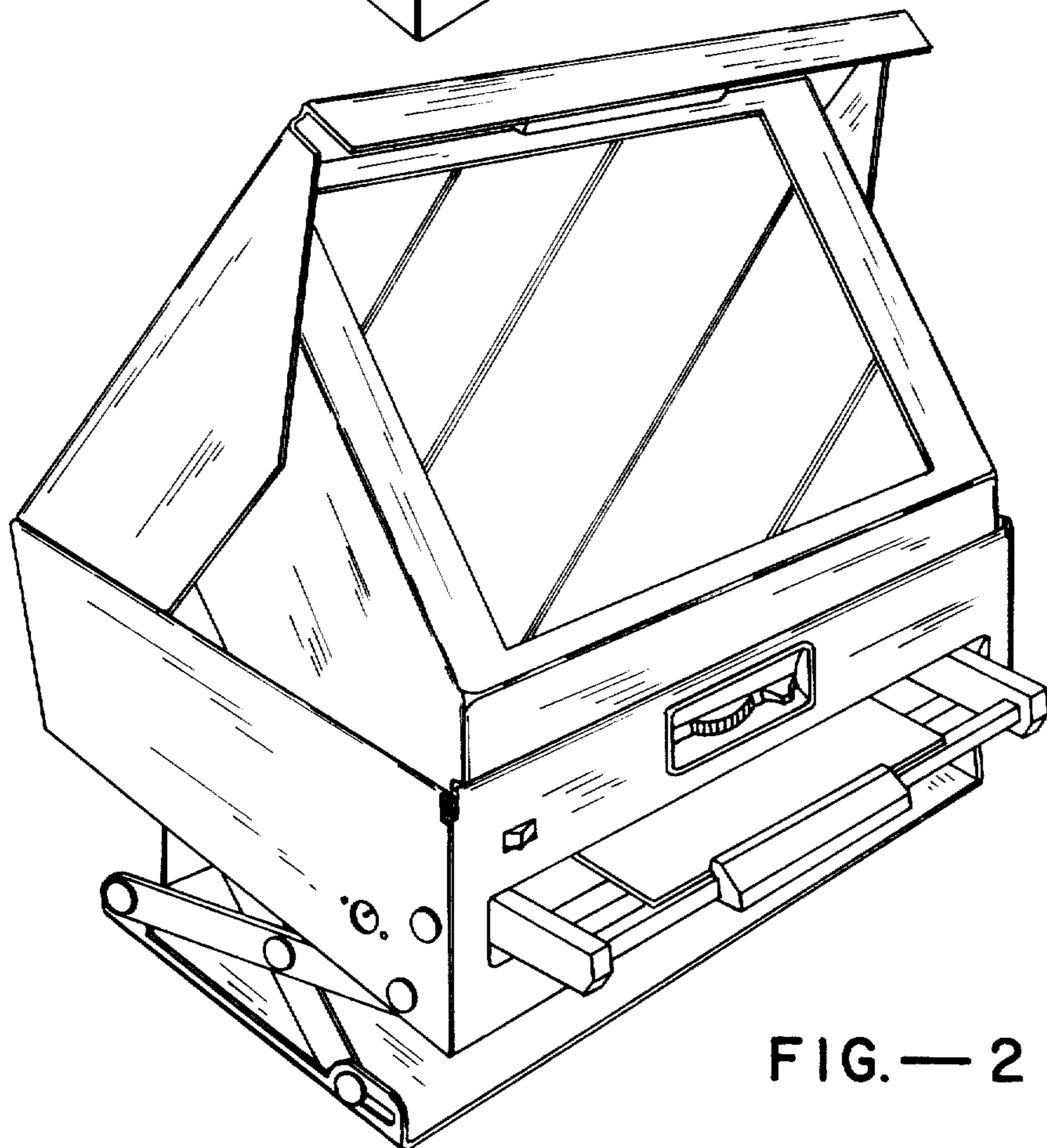


FIG. — 2

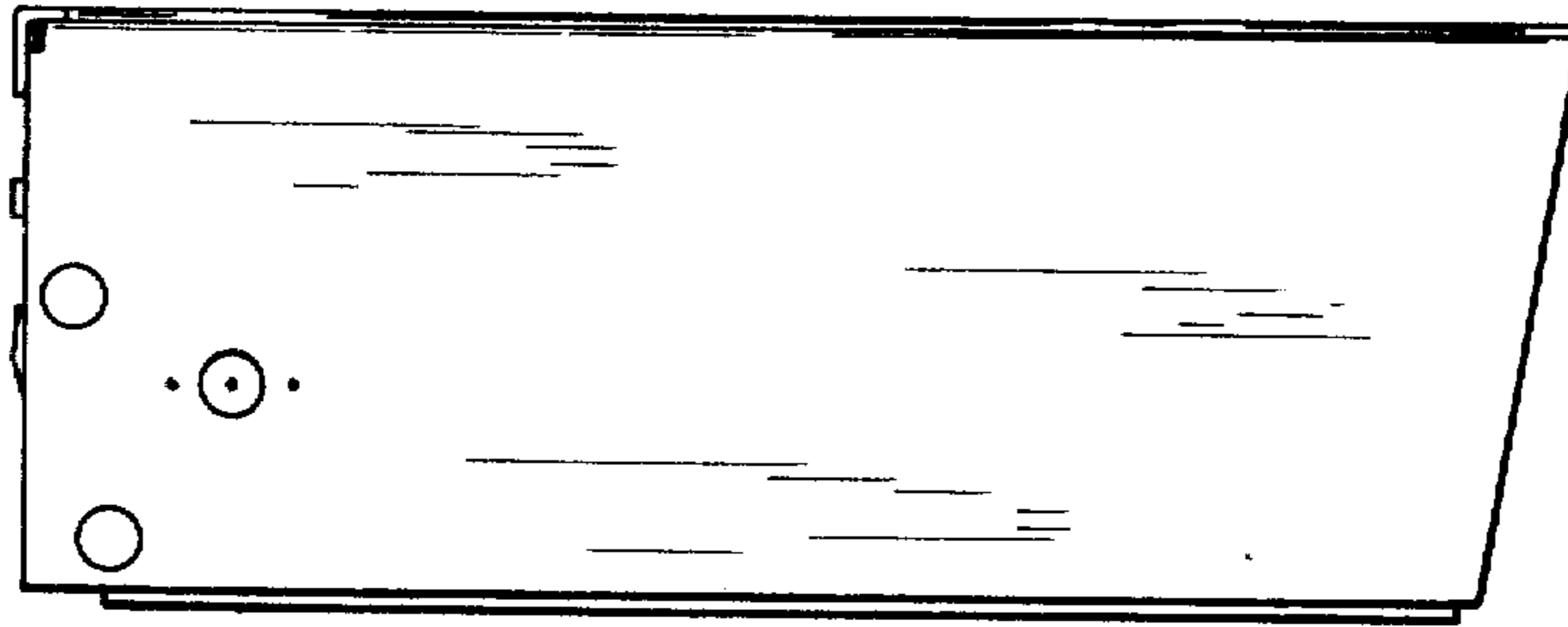


FIG. — 3

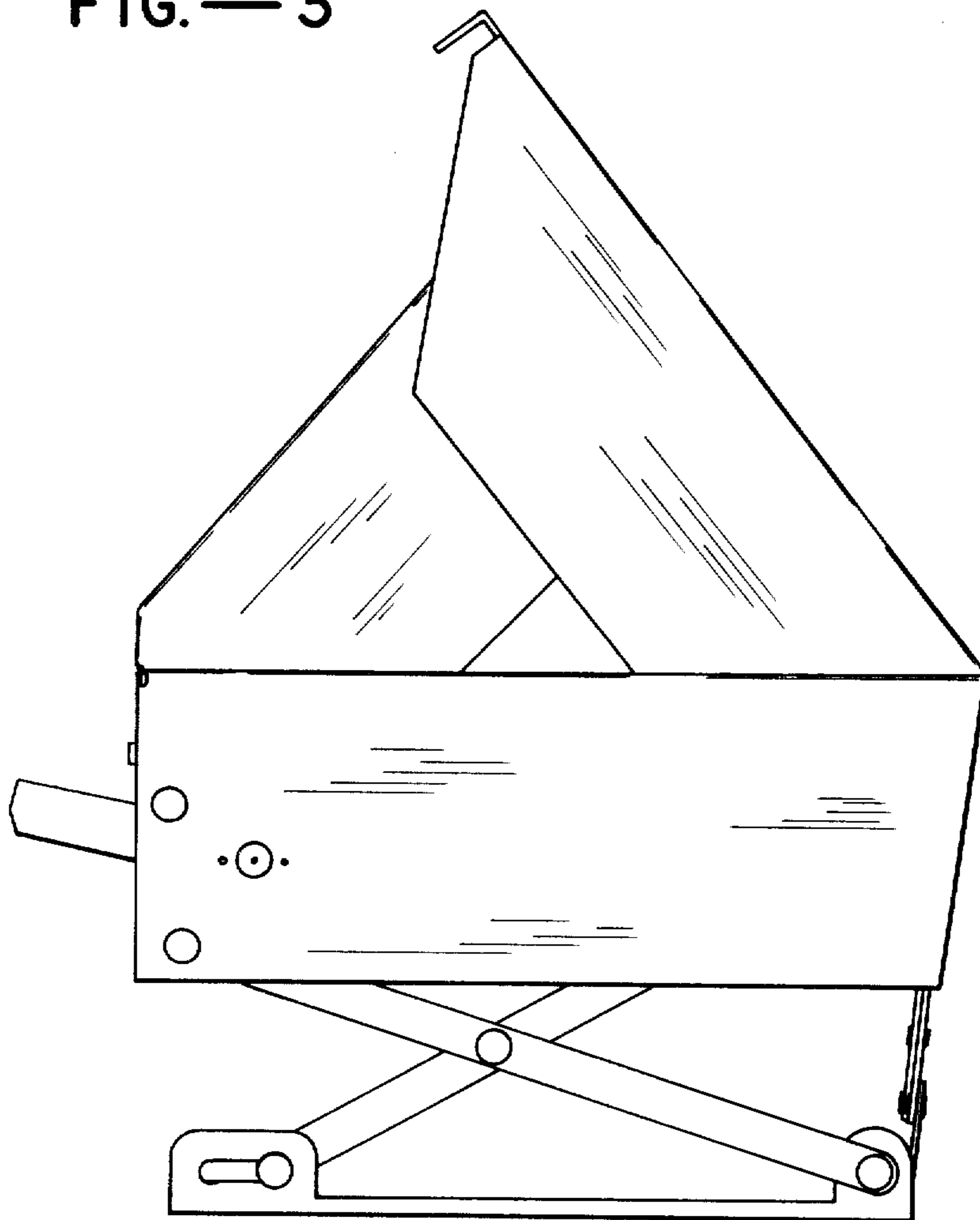


FIG. — 4