

[54] POSITIONER

[56] References Cited

[76] Inventors: Steven J. Reid, 4994 Capistrano Ave., San Jose, Calif. 95129; Jack A. Ashman, 587 Woodstock Way, Santa Clara, Calif. 95050

U.S. PATENT DOCUMENTS

1,977,970 10/1934 Parks 248/123.1
2,051,508 8/1936 Wildeboer 248/123.1
3,020,015 2/1962 Seplnuy 248/123.1

[**] Term: 14 Years

Primary Examiner—Peter M. Caun
Attorney, Agent, or Firm—Roland I. Griffin

[21] Appl. No.: 126,370

[57] CLAIM

The ornamental design for a positioner, as shown.

[22] Filed: Mar. 3, 1980

DESCRIPTION

[51] Int. Cl. D15—99

[52] U.S. Cl. D15/199

[58] Field of Search D15/122, 199; D6/167, D6/174; 248/123.1

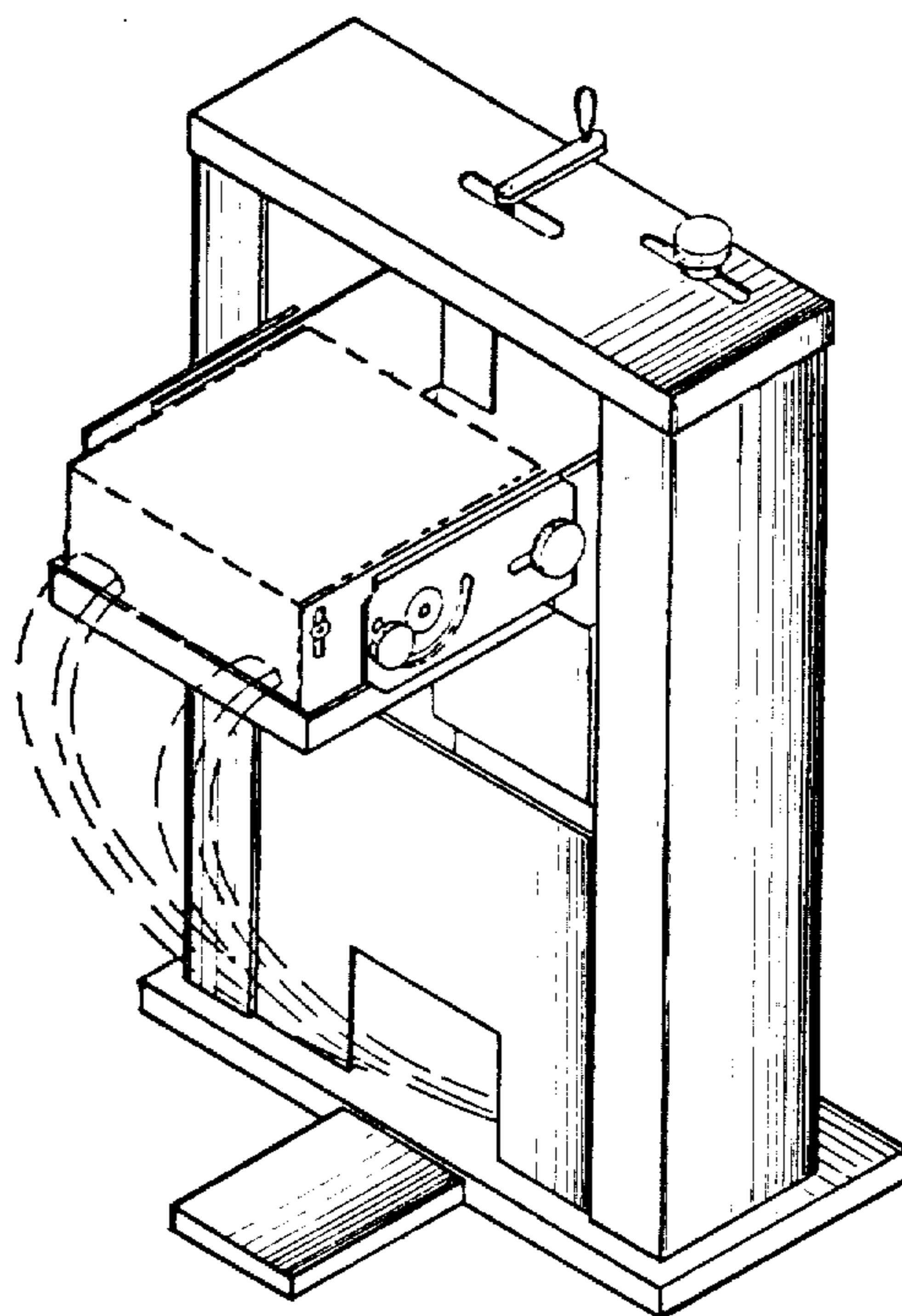
FIG. 1 is a front perspective view of the positioner in accordance with our design.

FIG. 2 is a rear view thereof.

FIG. 3 is a side view thereof.

FIG. 4 is a front view thereof.

FIG. 5 is a top view thereof.



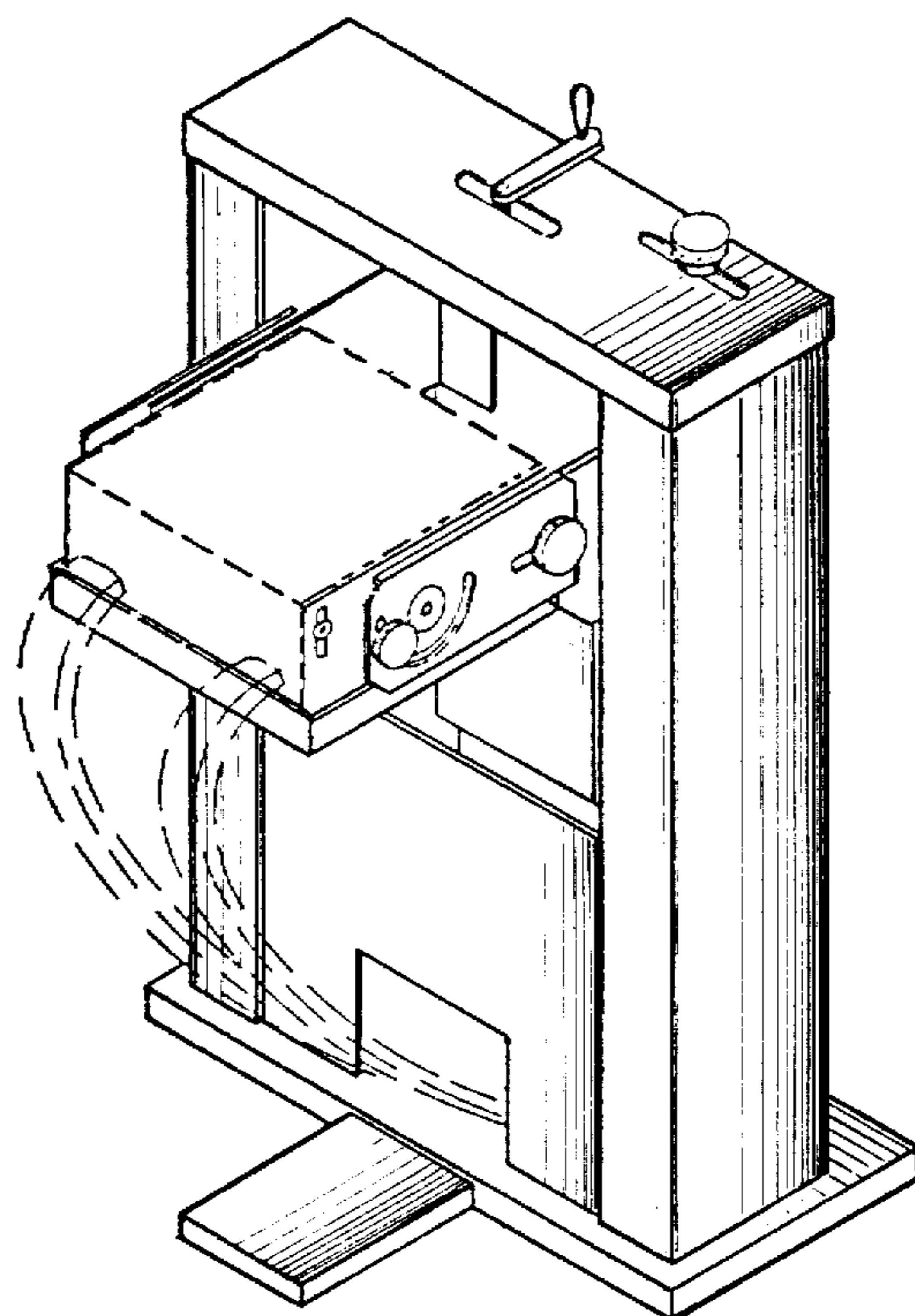


Figure 1

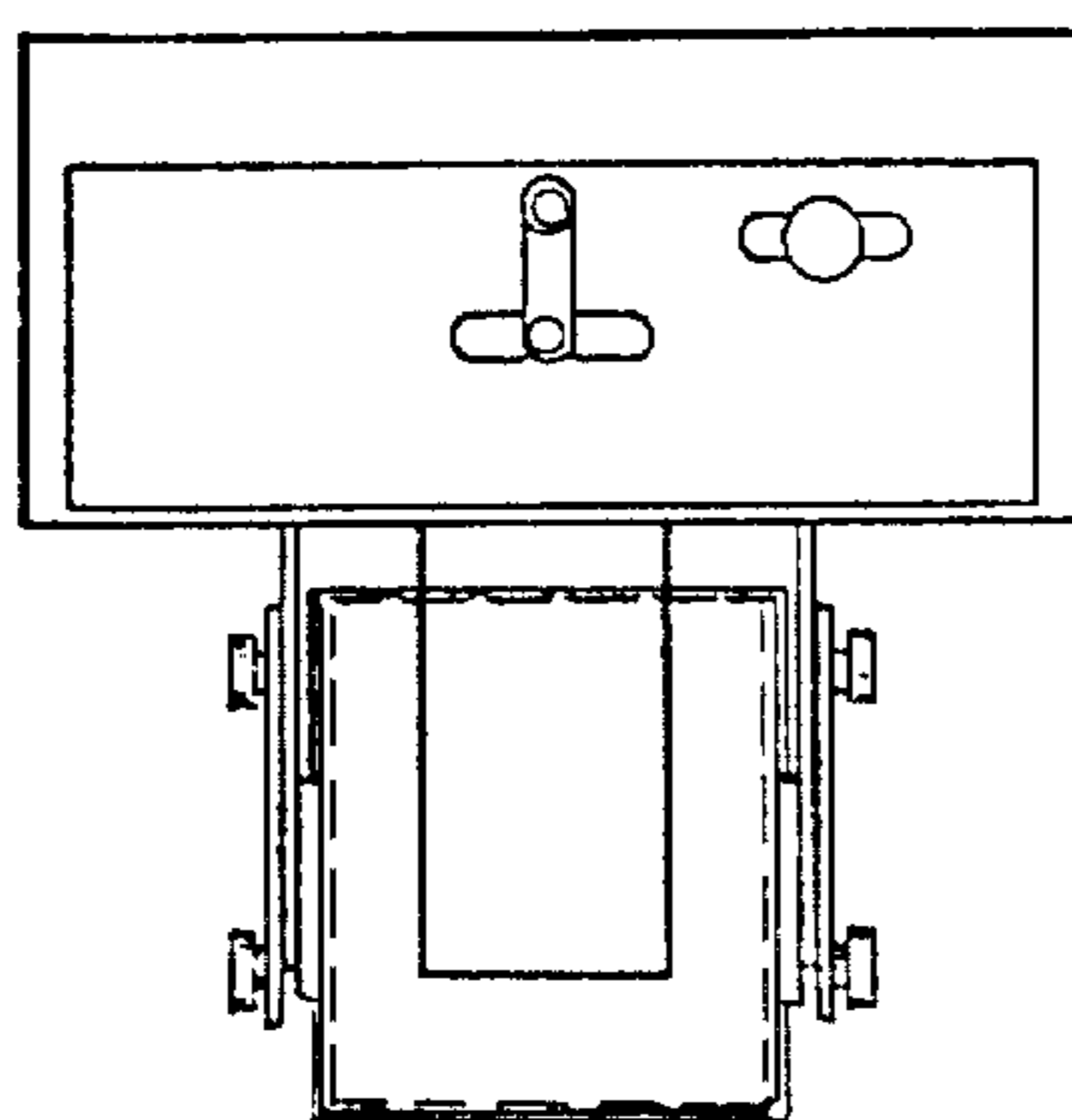


Figure 5

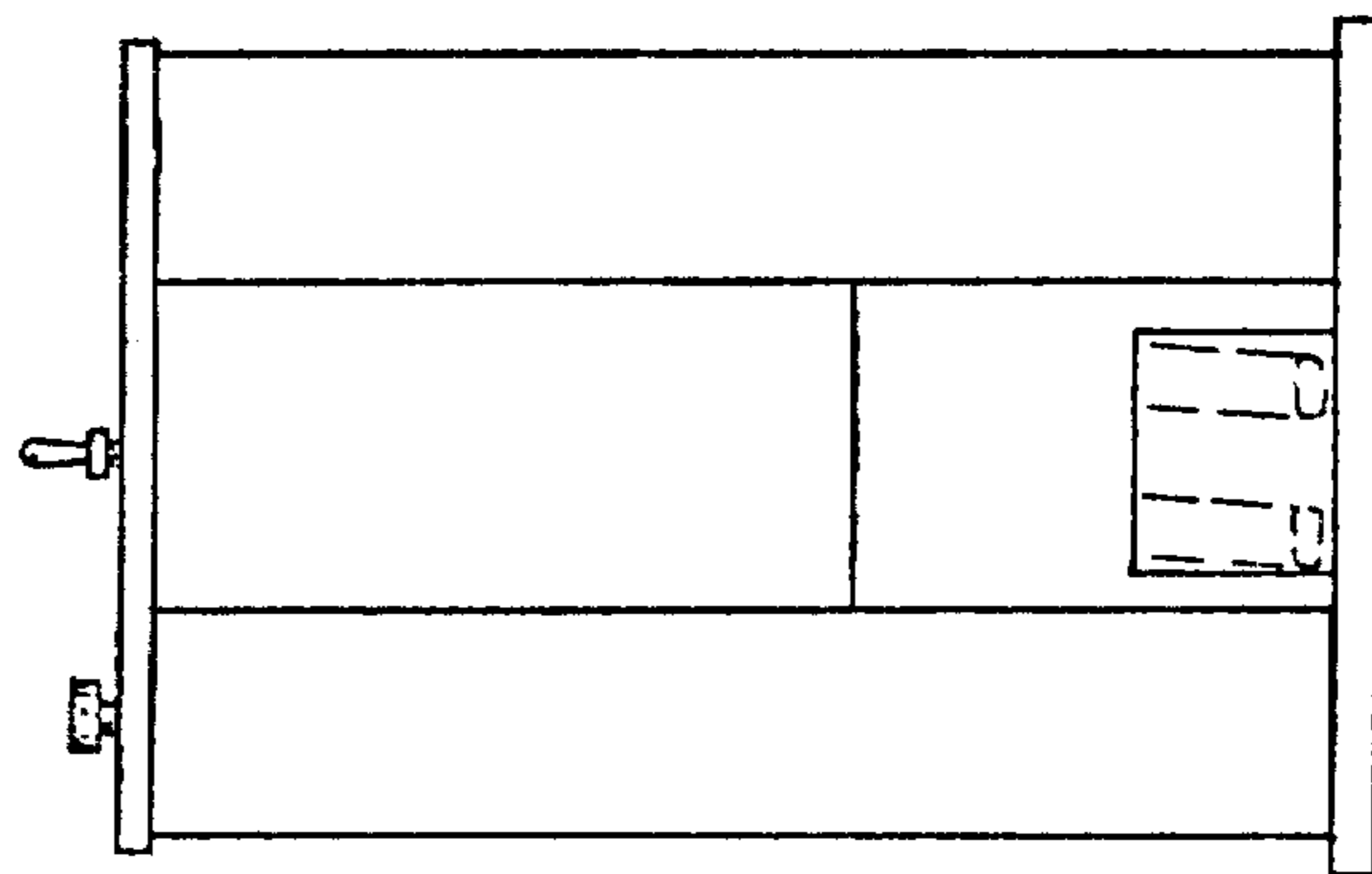


Figure 2

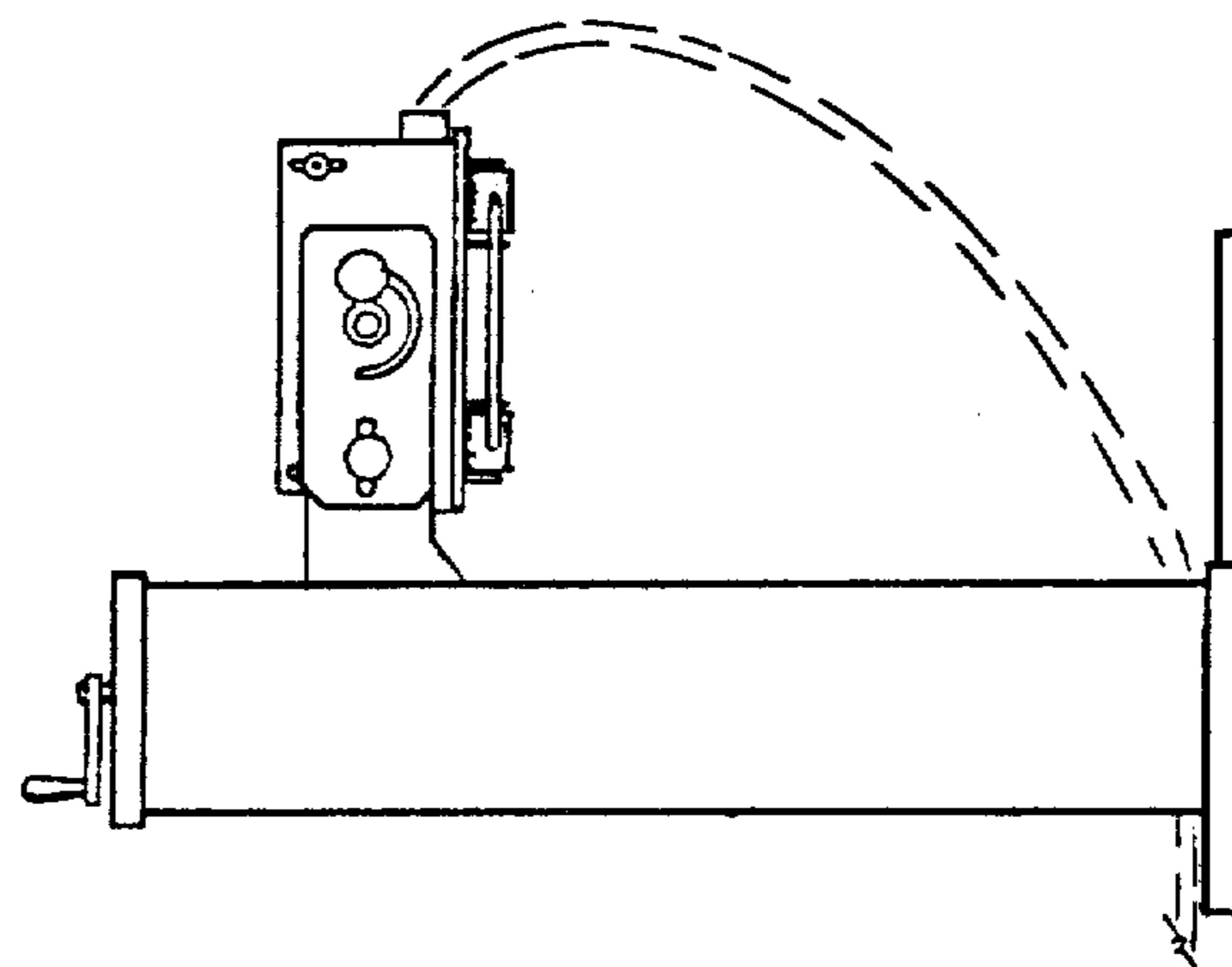


Figure 3

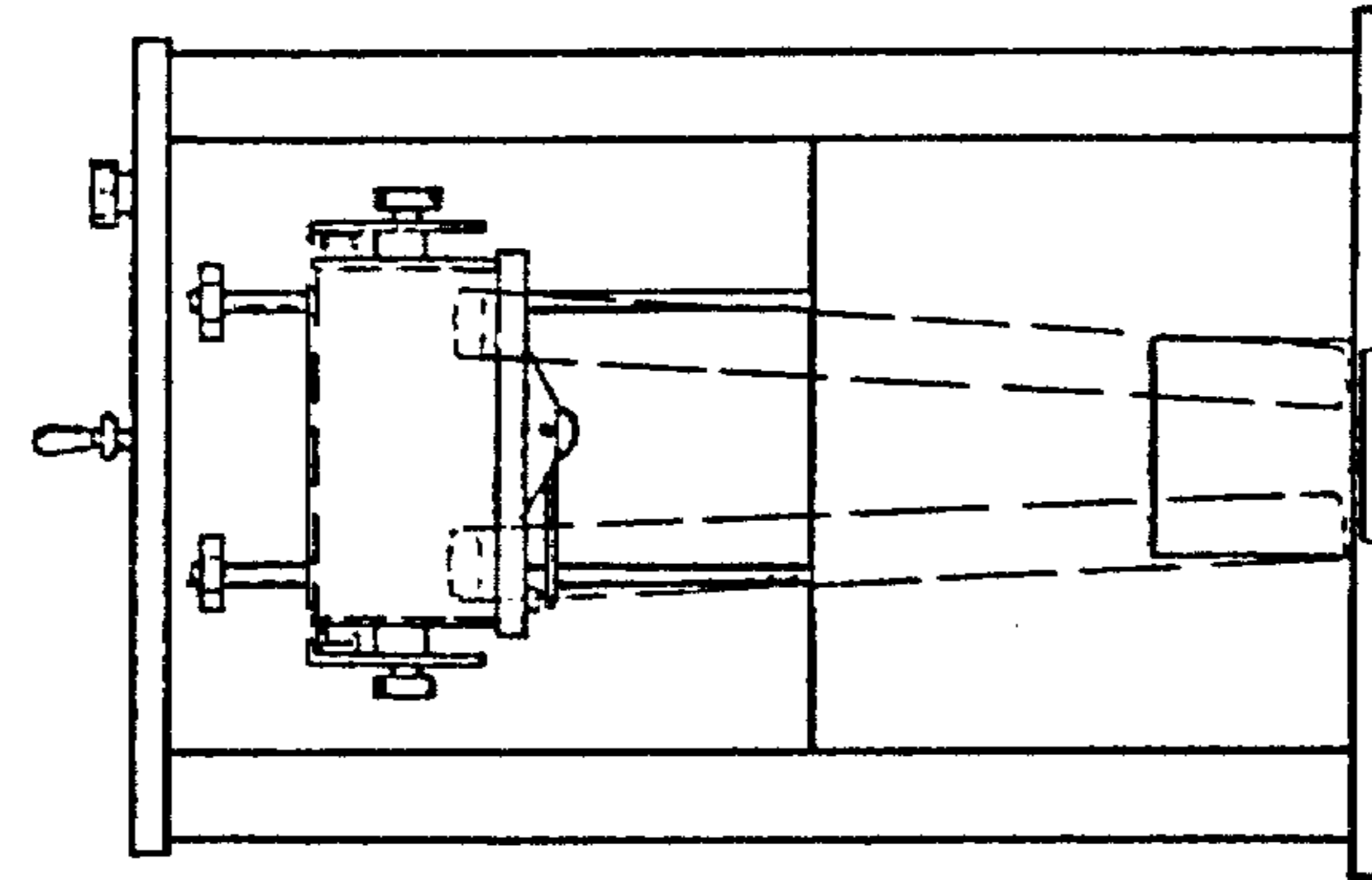


Figure 4