

[54] **TRIPLEX PISTON PUMP**

[75] Inventor: **Ramon Pareja**, Edina, Minn.

[73] Assignee: **Lear Siegler, Inc.**, Santa Monica, Calif.

[**] Term: **14 Years**

[21] Appl. No.: **106,449**

[22] Filed: **Dec. 26, 1979**

[51] Int. Cl. **D15-02**

[52] U.S. Cl. **D15/7**

[58] Field of Search **D15/7-9;**
417/534, 536, 539

3,744,936 7/1973 Sadler 417/536
 4,032,263 6/1977 Pareja 417/539
 4,184,817 1/1980 Pareja 417/539

Primary Examiner—James R. Largen
Attorney, Agent, or Firm—Orrin M. Haugen; Thomas J. Nikolai

[57] **CLAIM**

The ornamental design for a triplex piston pump, substantially as shown and described.

DESCRIPTION

FIG. 1 is a perspective view taken from the top, front and left side of a triplex piston pump showing my new design;

FIG. 2 is a top plan view thereof;

FIG. 3 is a front elevational view thereof;

FIG. 4 is a bottom plan view thereof;

FIG. 5 is a right elevational view thereof;

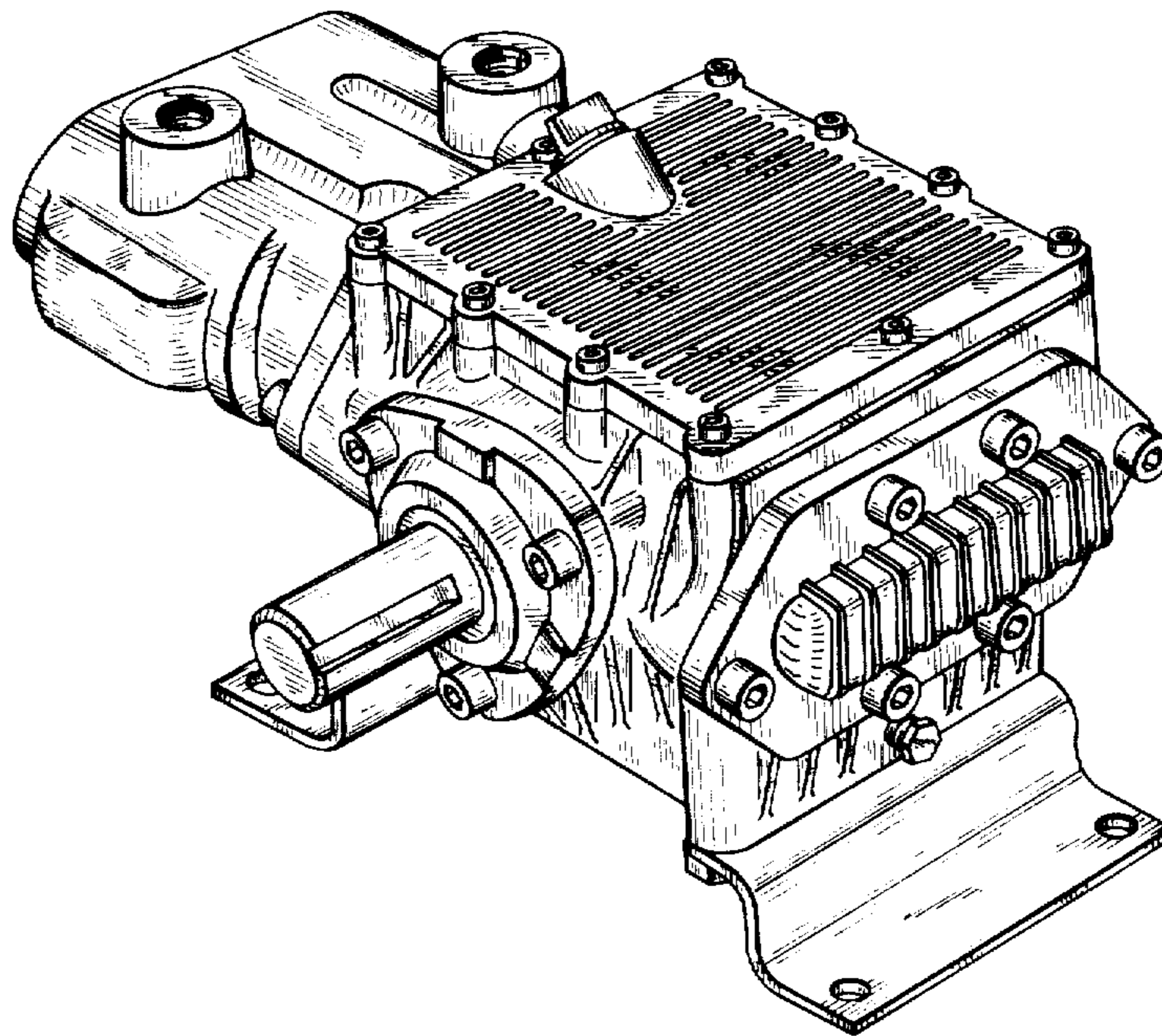
FIG. 6 is a right side elevational view thereof;

FIG. 7 is a left side elevational view thereof; and

FIG. 8 is a front elevational view of a modified form of the triplex piston pump shown in FIG. 1.

[56] **References Cited**
U.S. PATENT DOCUMENTS

D. 233,260 10/1974 Sadler et al. D15/7
 D. 233,800 11/1974 Sadler et al. D15/7
 D. 243,796 3/1977 Pareja D15/7
 D. 245,779 9/1977 Nobata D15/9
 3,666,382 5/1972 Rasmussen 417/533



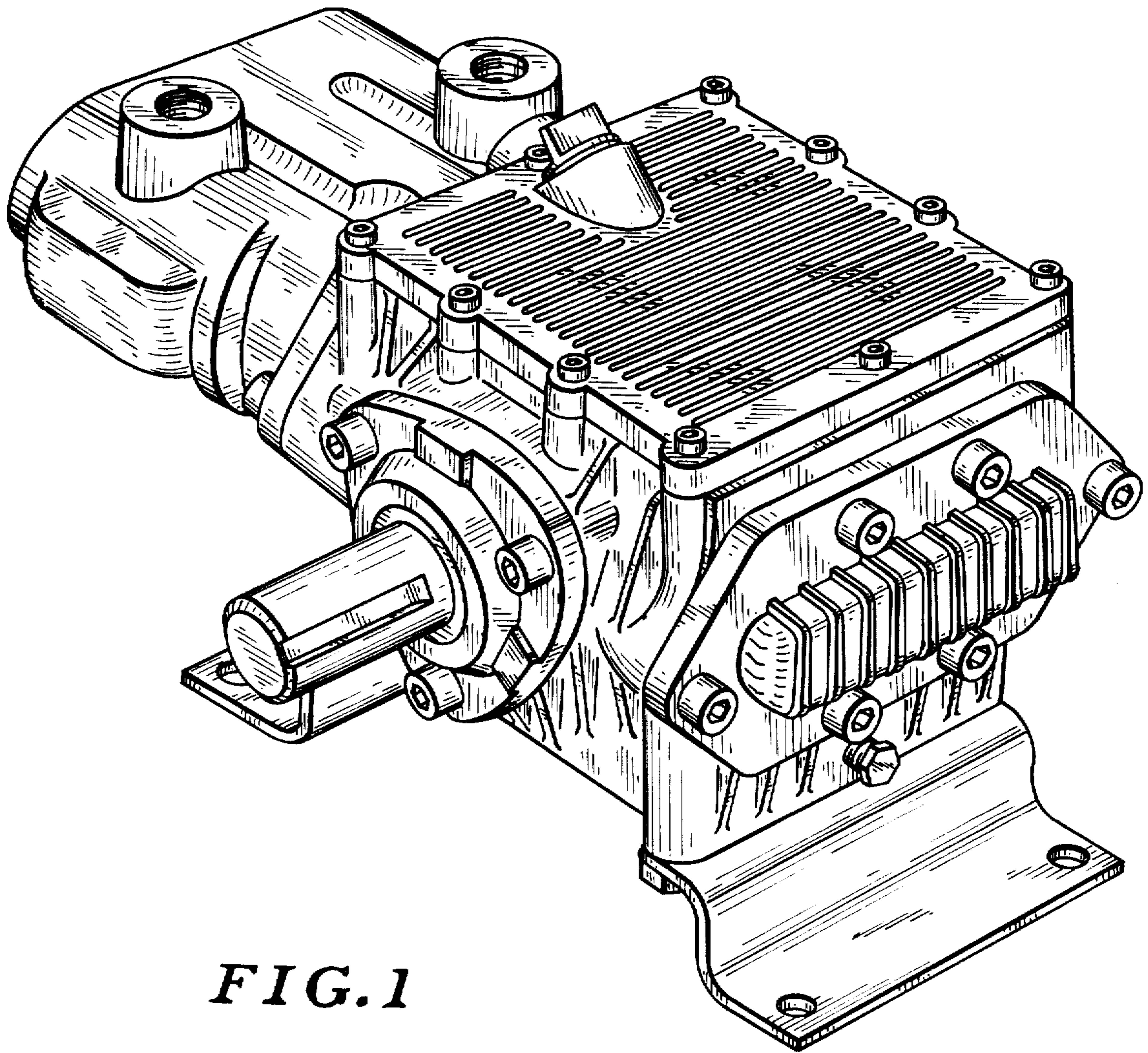


FIG. 1

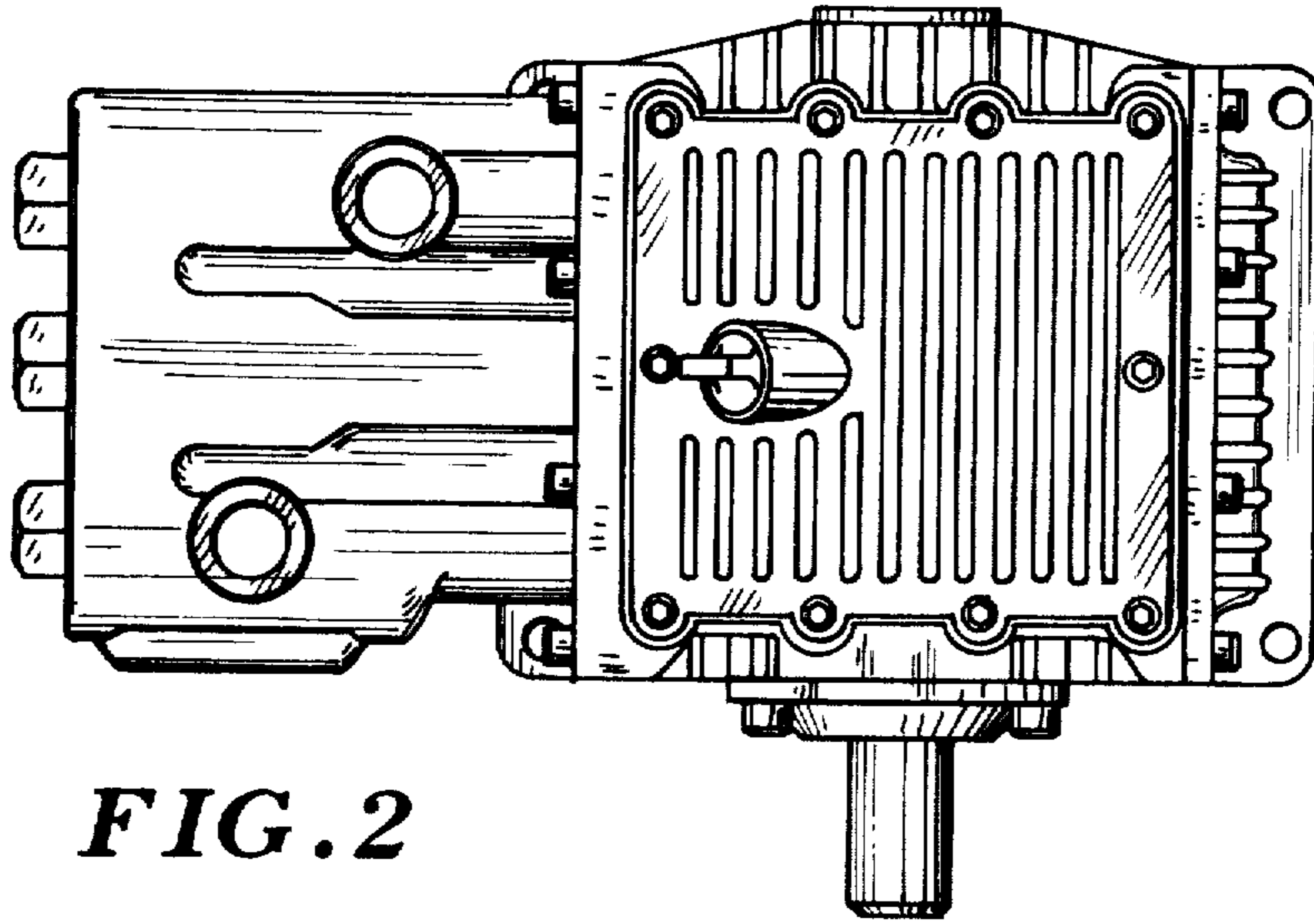


FIG. 2

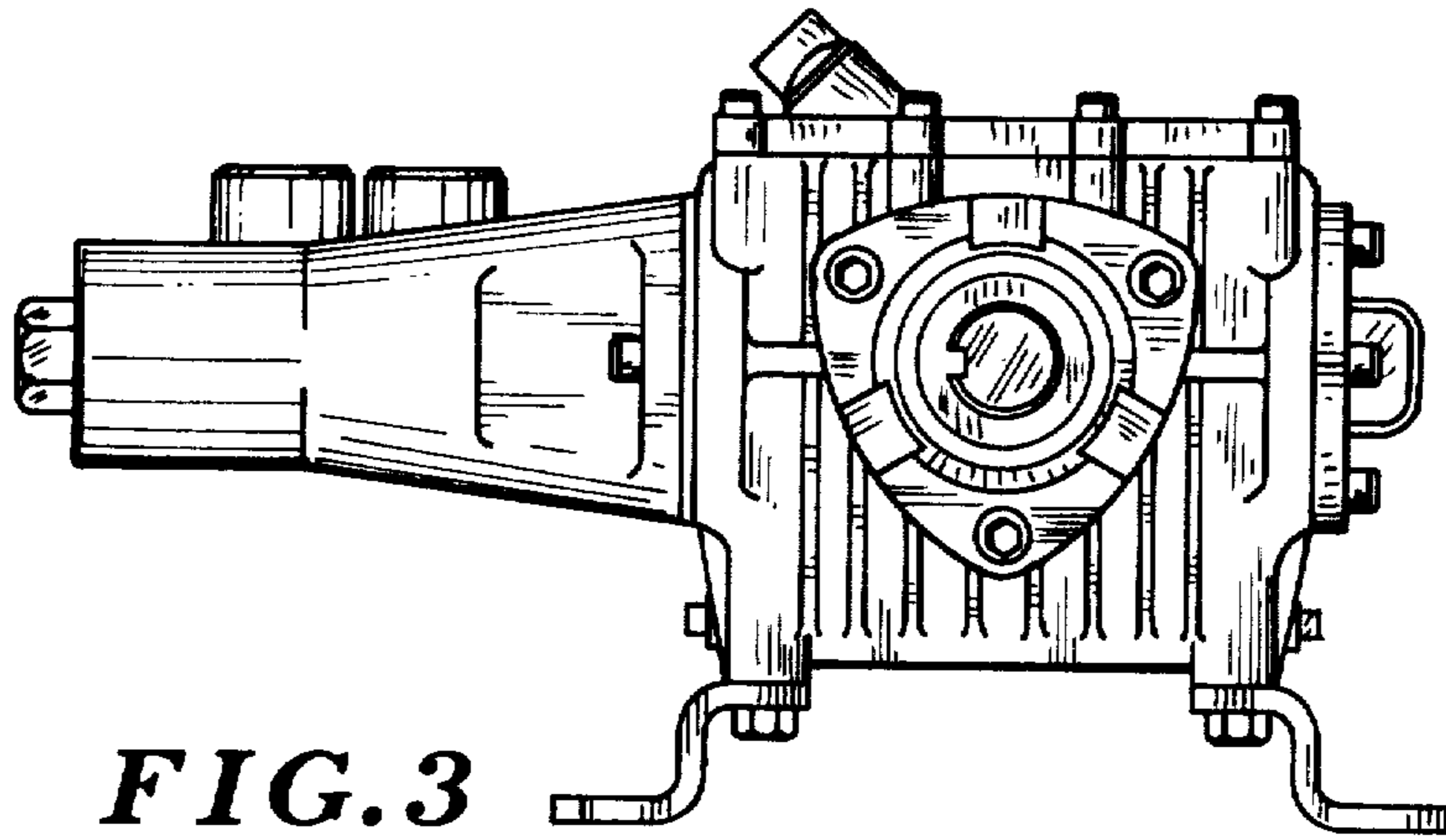


FIG. 3

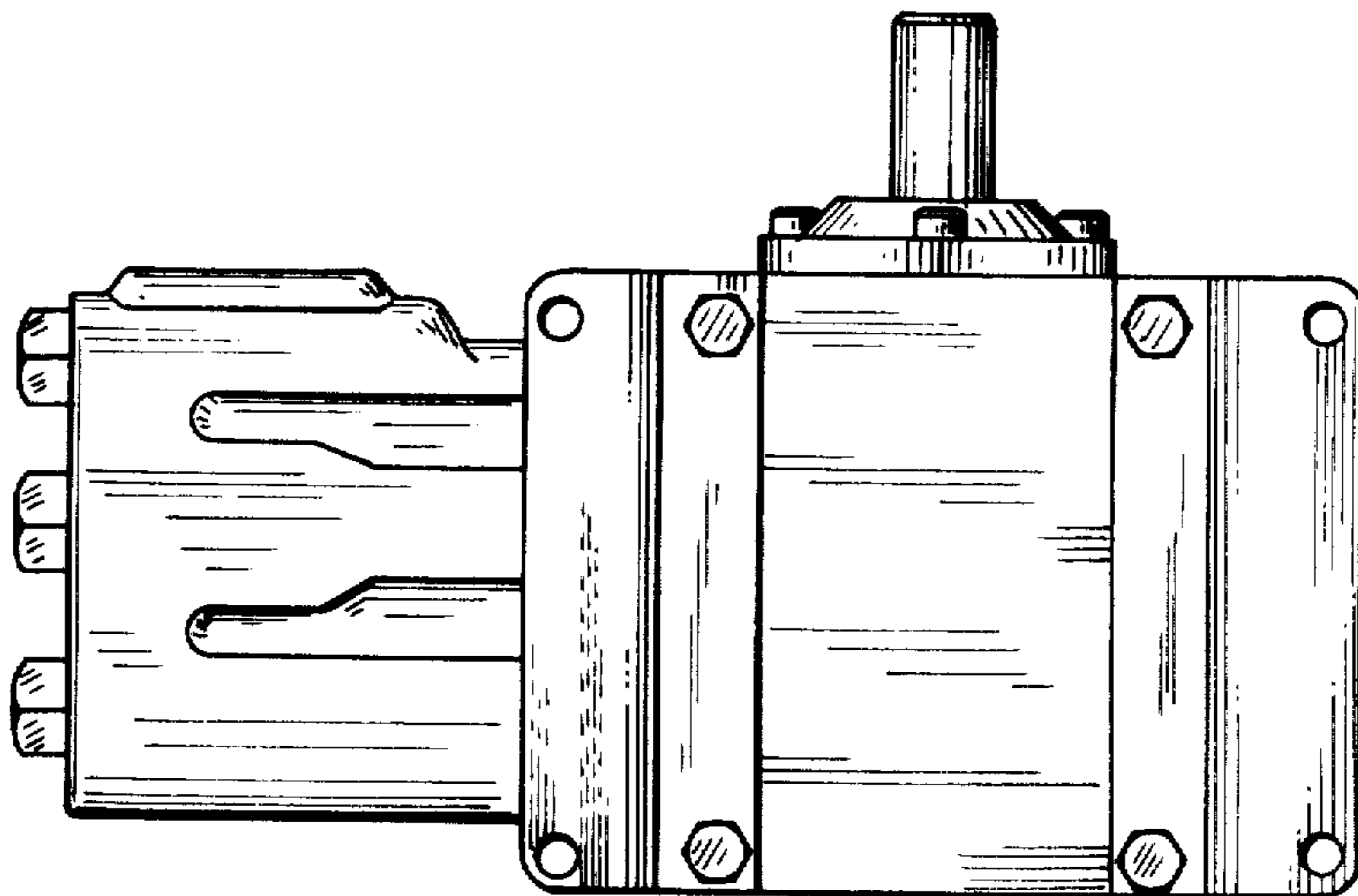


FIG. 4

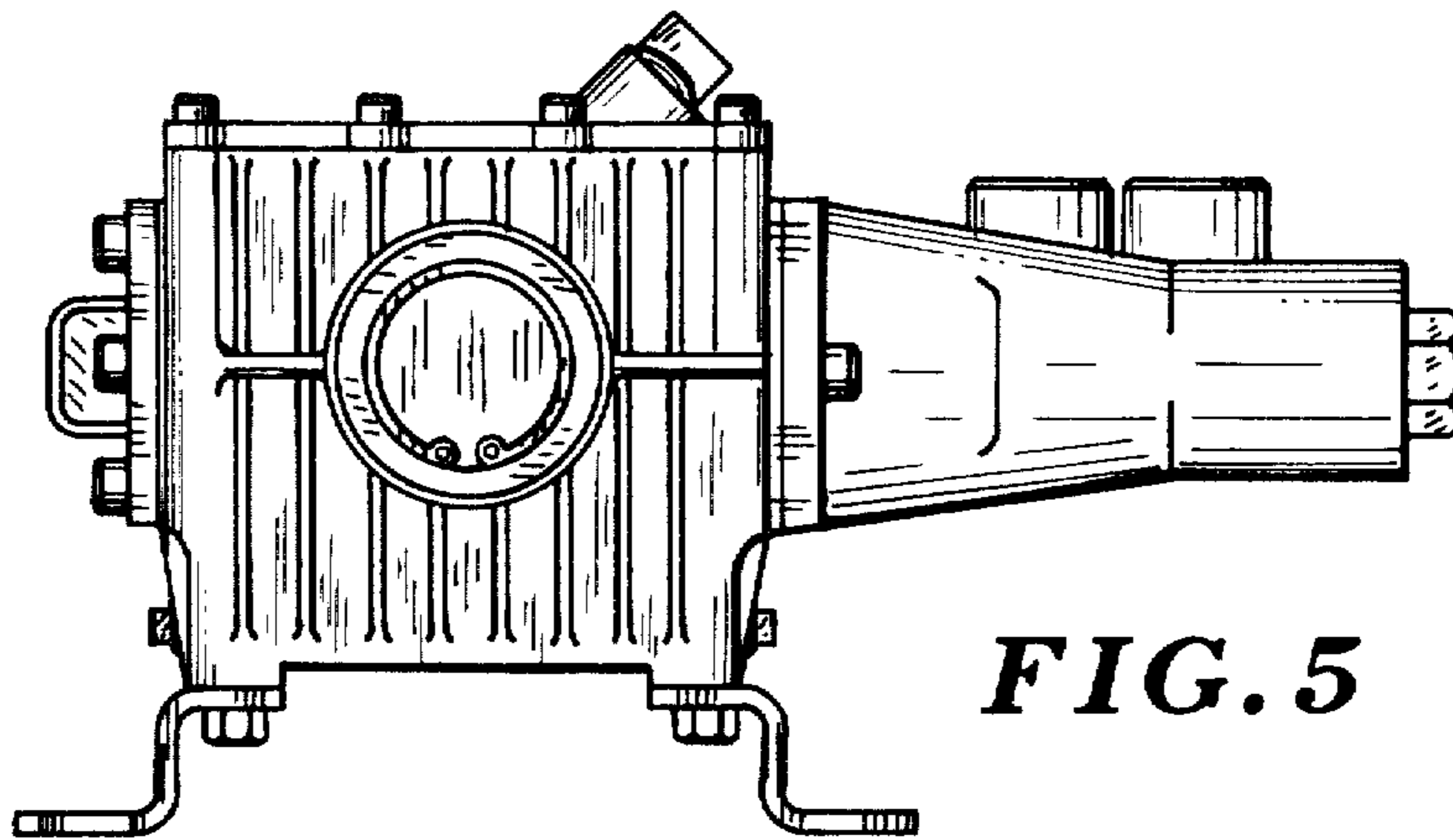


FIG. 5

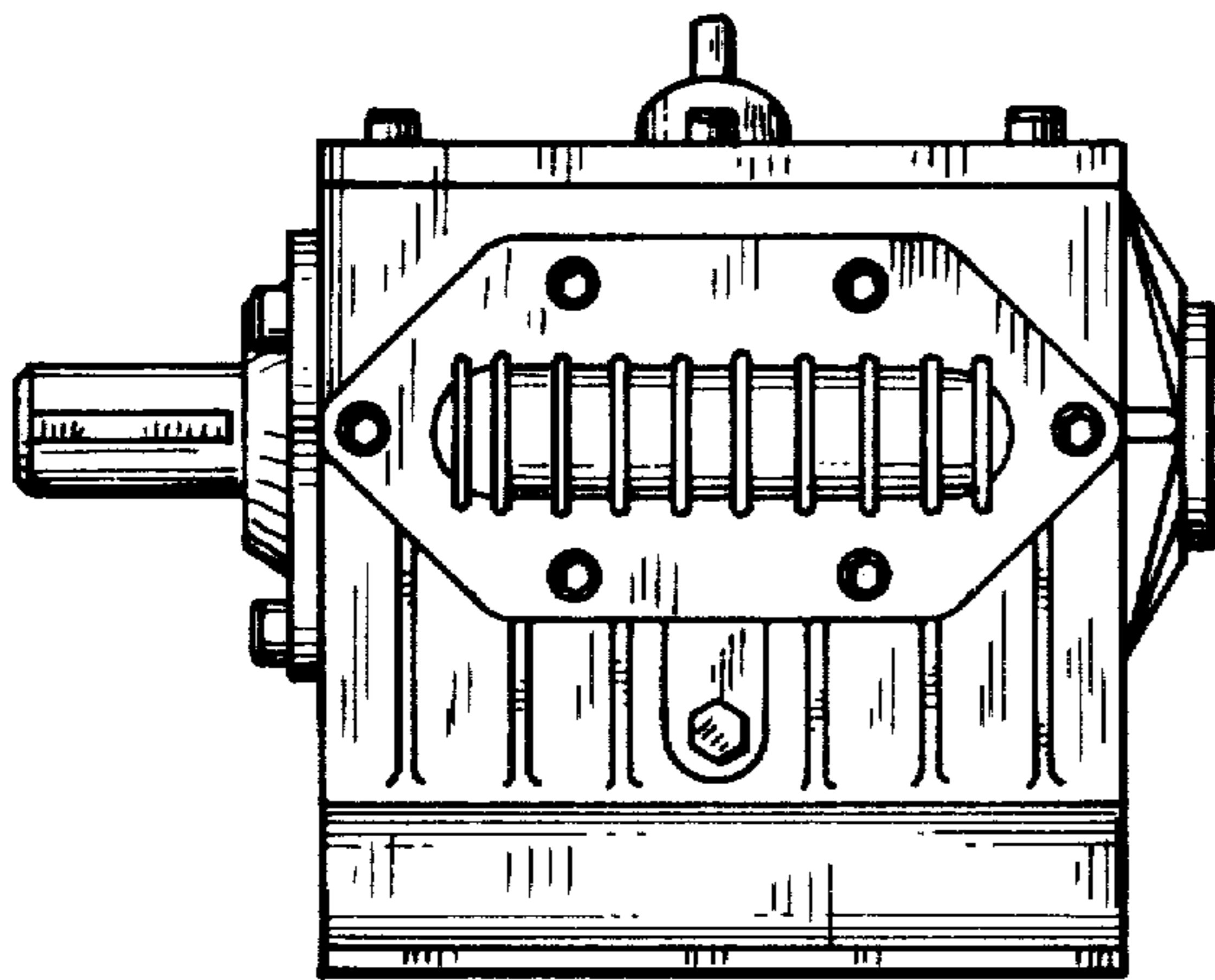


FIG. 6

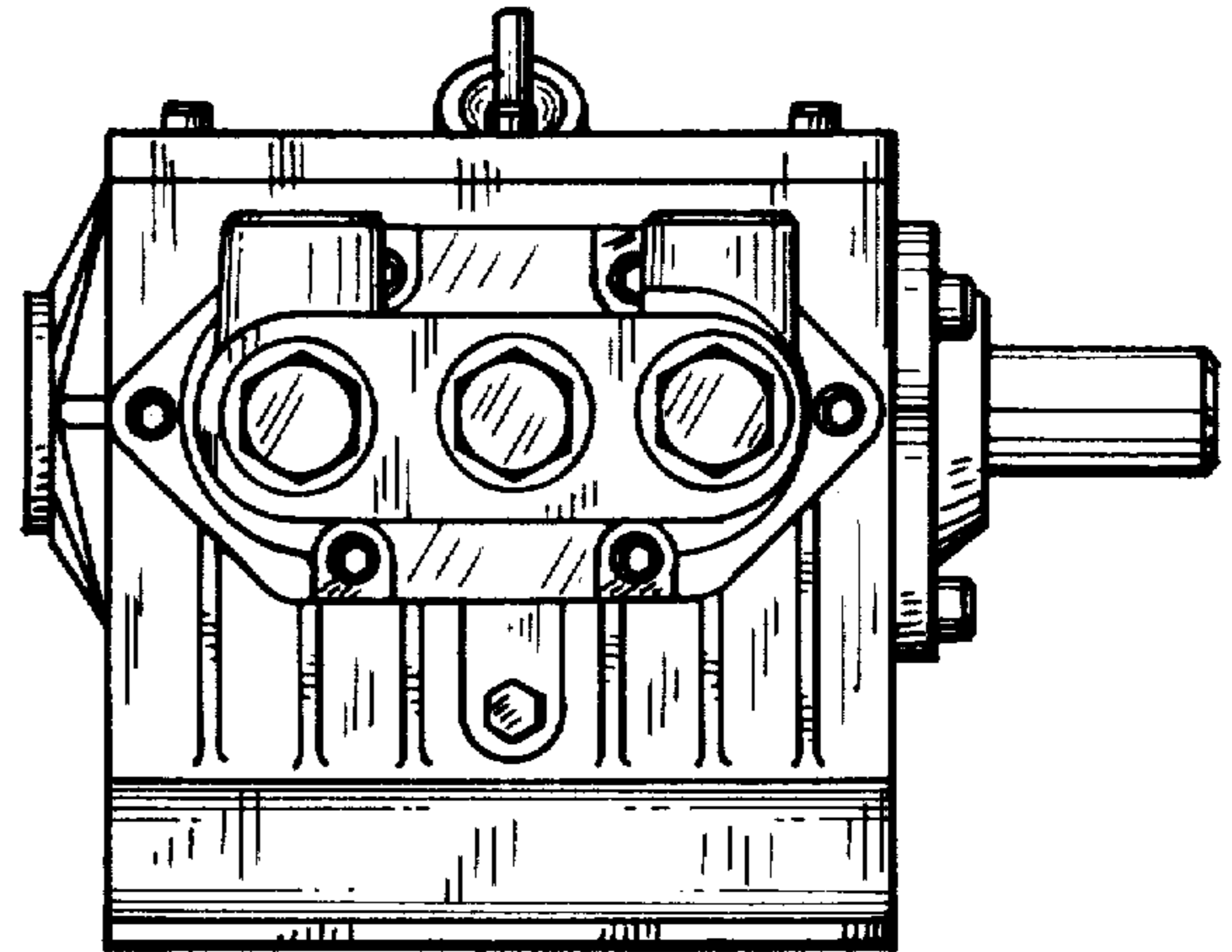


FIG. 7

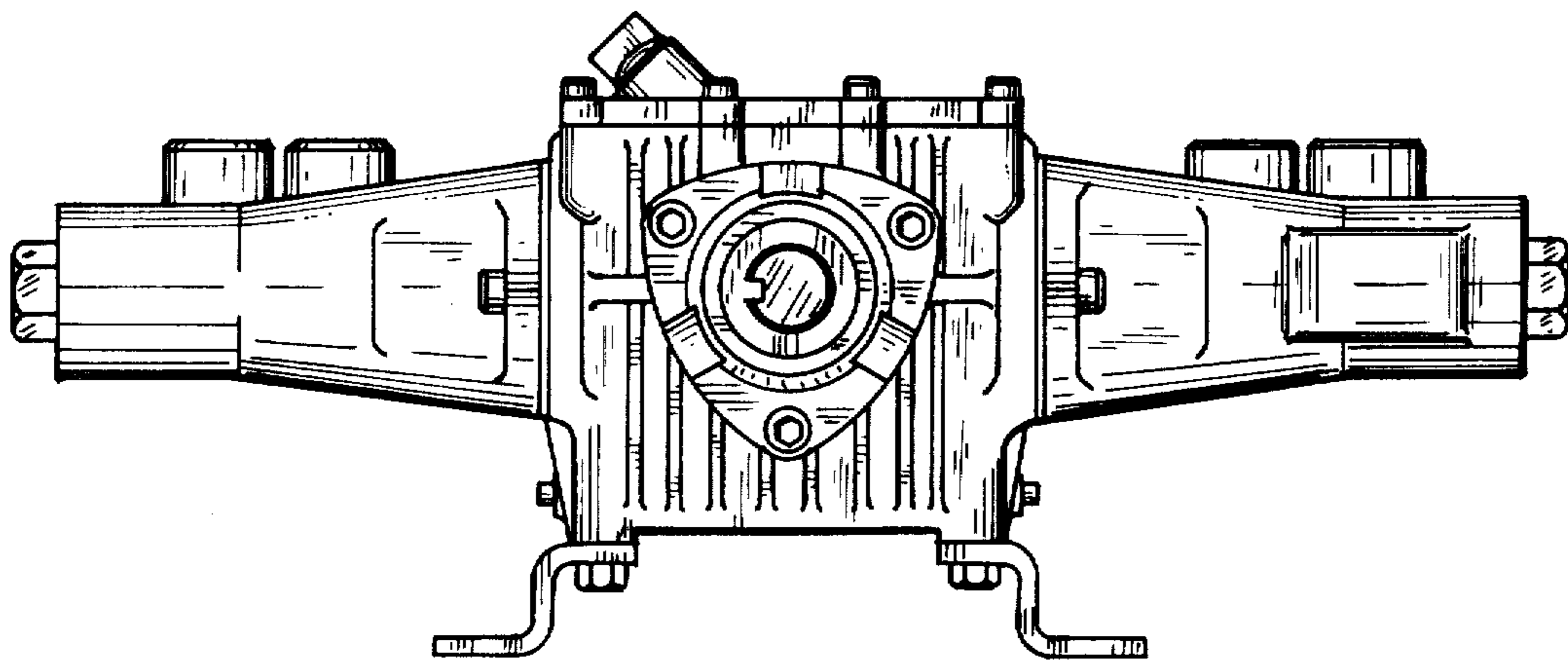


FIG. 8