

[54] **PUMP FOR A MANURE HANDLING SYSTEM OR THE LIKE**

[76] **Inventor:** Tymen Clay, 904 Downie St., Box 788, Stratford, Ontario, Canada, N5A 6W1

[**] **Term:** 7 Years

[21] **Appl. No.:** 72,406

[22] **Filed:** Sep. 4, 1979

[30] **Foreign Application Priority Data**

Jul. 26, 1979 [CA] Canada 260779

[51] **Int. Cl.** D15-02

[52] **U.S. Cl.** D15/7

[58] **Field of Search** D15/7-9;
 417/403, 489, 900

[56] **References Cited**

U.S. PATENT DOCUMENTS

D. 202,146	8/1965	Fernholtz	D15/7
D. 228,951	10/1973	Ricciardi	D15/7
1,362,767	12/1920	Webb	417/403 X
1,441,097	1/1923	Laughlin	417/900 X
2,319,981	5/1943	Fitzgerald	417/490
3,872,981	3/1975	Hedlund	417/551 X
3,876,341	4/1975	Nesseth	417/900 X
4,028,017	6/1977	Kobiske	417/489
4,140,443	2/1979	Olson	417/900 X

FOREIGN PATENT DOCUMENTS

615326 10/1926 France 417/900

OTHER PUBLICATIONS

TCM Power-Ram Brochure from T. Clay Manufacturing Ltd., pp. 2 and 3.

King Hydra-Ram System Brochure, from Agricultural Equipment Div./King Hydraulic Power Ltd., p. 4.

Acorn Equipment Corp. Brochure "From Acorn the Mighty Monster Grew", p. 1.

Primary Examiner—James R. Largen

Attorney, Agent, or Firm—Moss, Bensette, Thompson, Squires

[57] **CLAIM**

The ornamental design for a pump for a manure handling system or the like, as shown.

DESCRIPTION

FIG. 1 is a perspective view taken from the top, front and one side of a pump for a manure handling system or the like showing my new design;

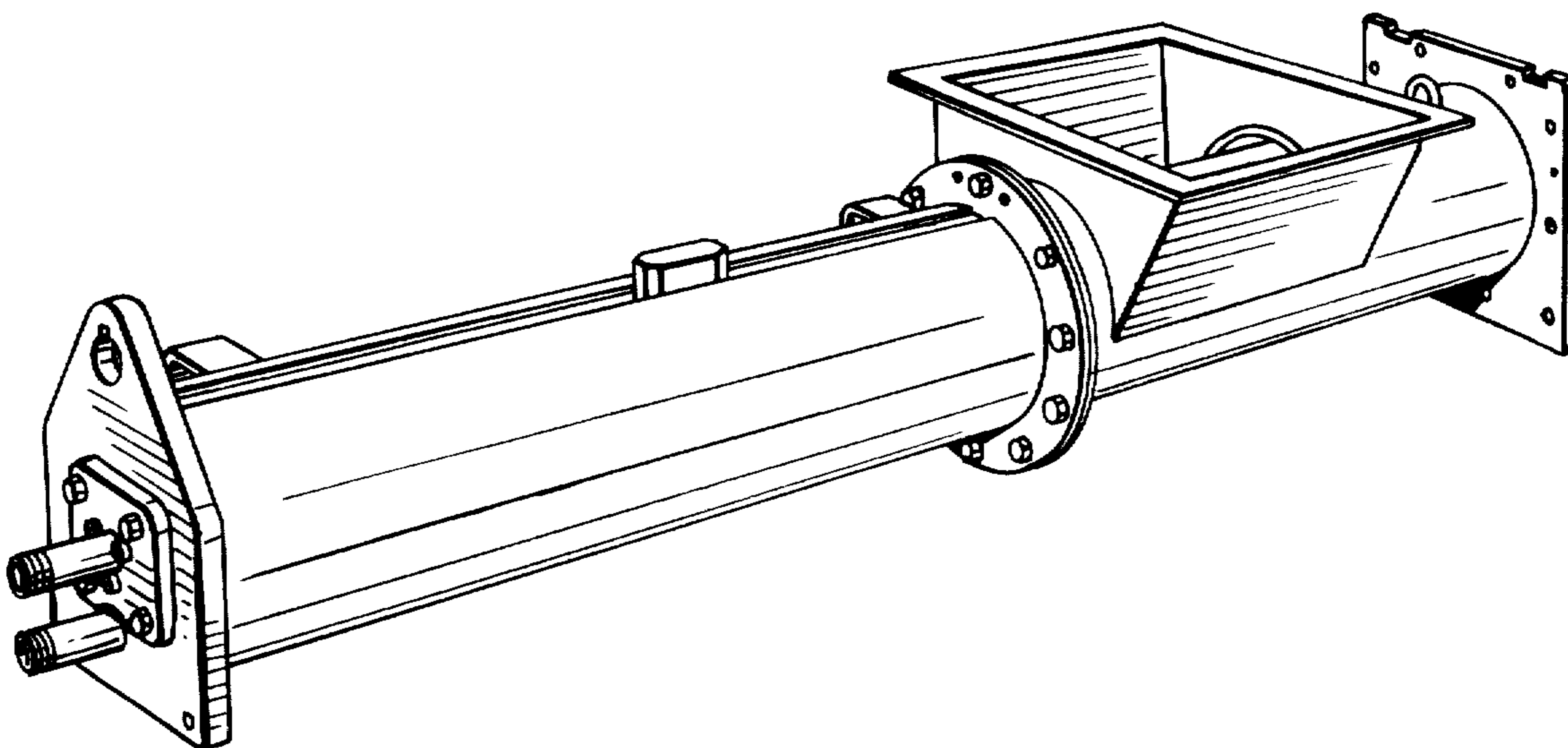
FIG. 2 is a perspective view taken from the top, rear and side opposite that shown in FIG. 1;

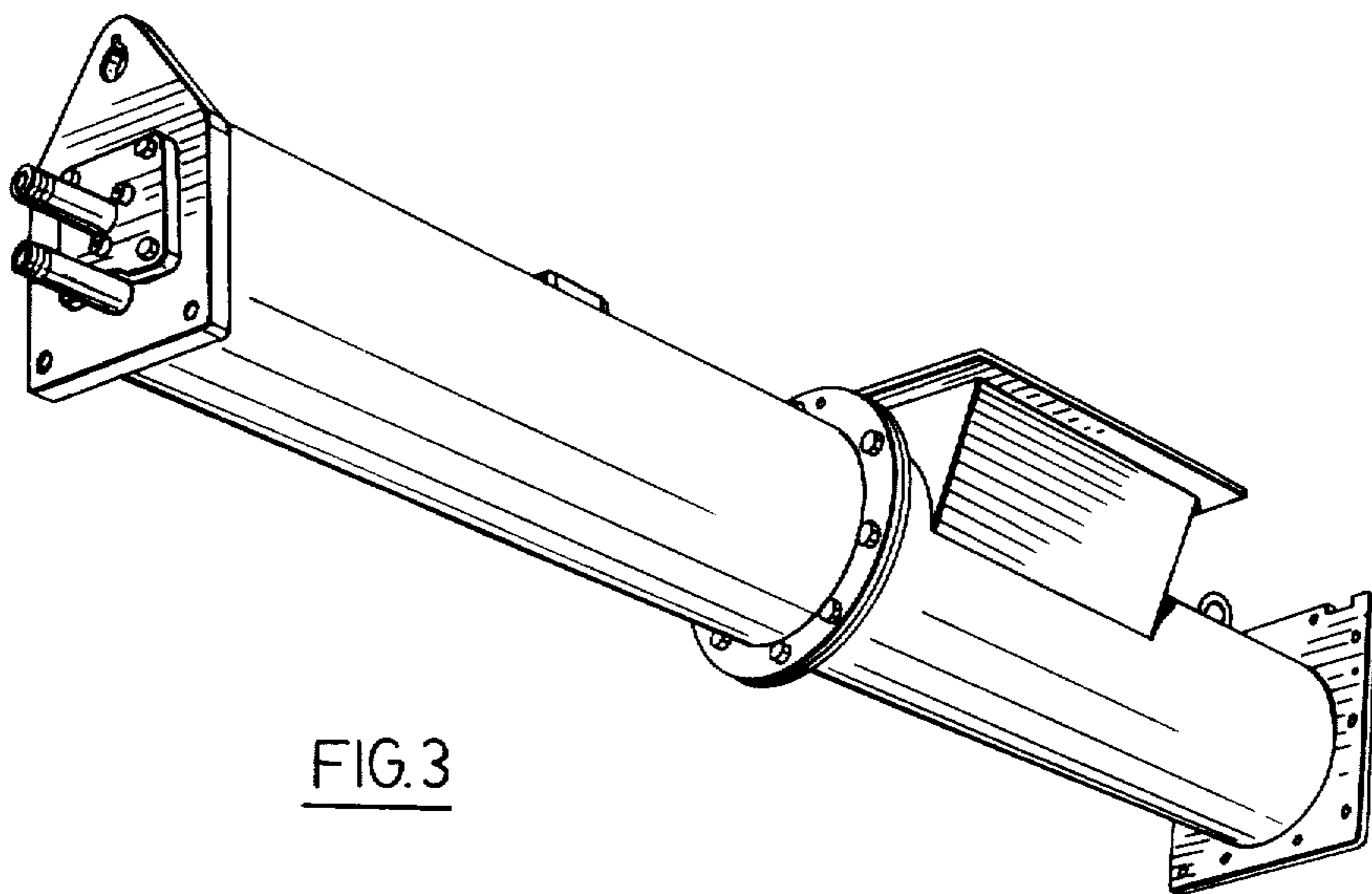
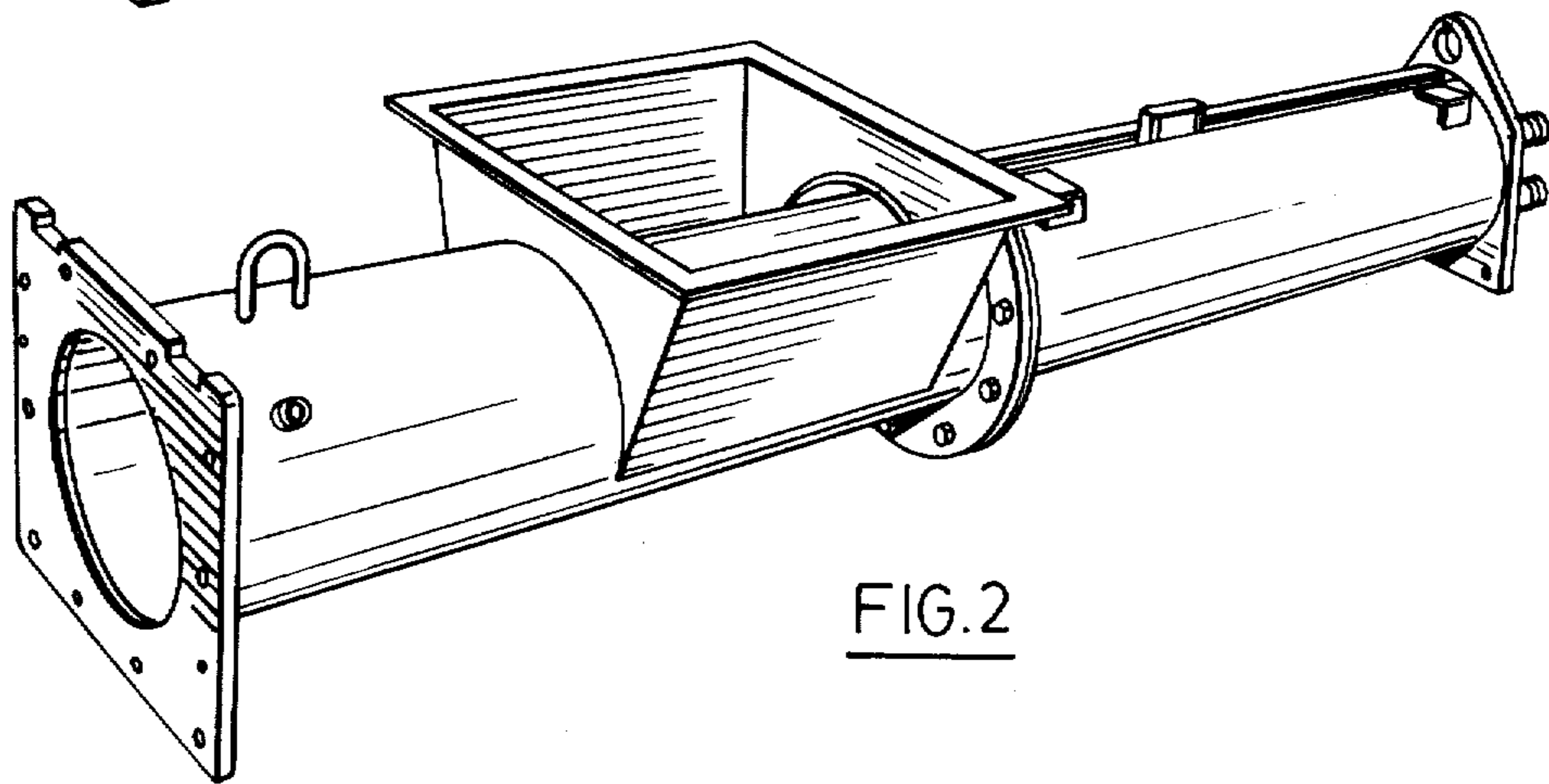
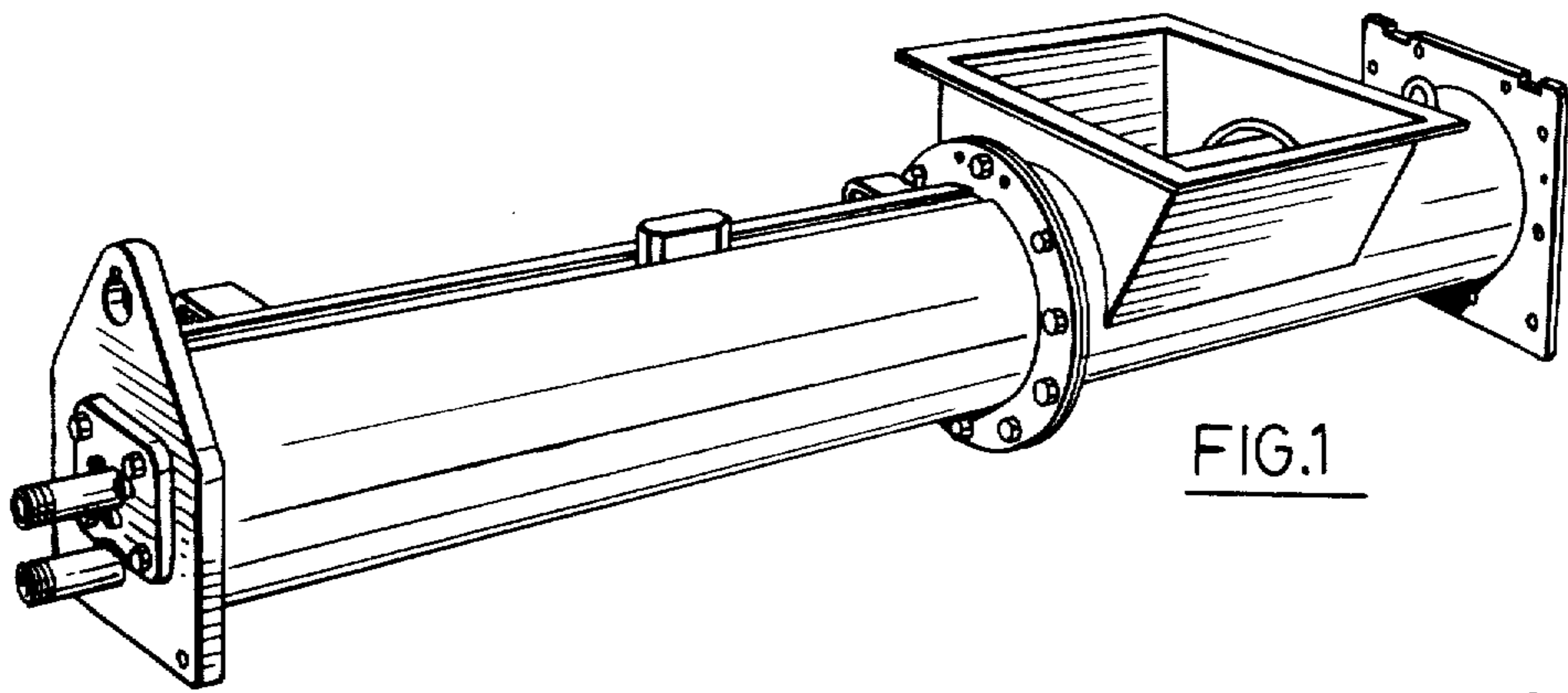
FIG. 3 is a perspective view taken from the bottom, front and side shown in FIG. 1;

FIG. 4 is a perspective view taken from the top, front and one side of a modified form of the pump for a manure handling system or the like shown in FIG. 1;

FIG. 5 is a perspective view taken from the top, rear and side opposite that shown in FIG. 4; and

FIG. 6 is a perspective view taken from the bottom, front and side shown in FIG. 4.





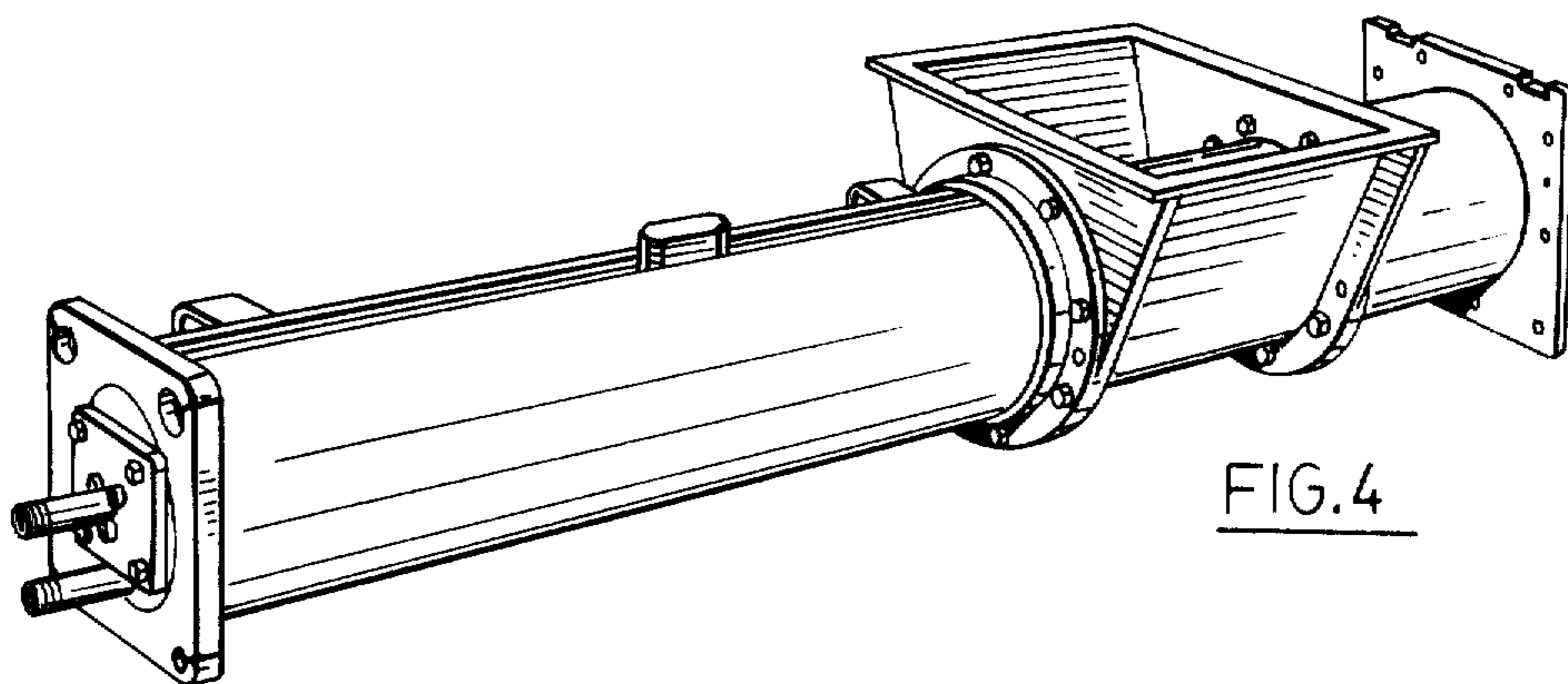


FIG. 4

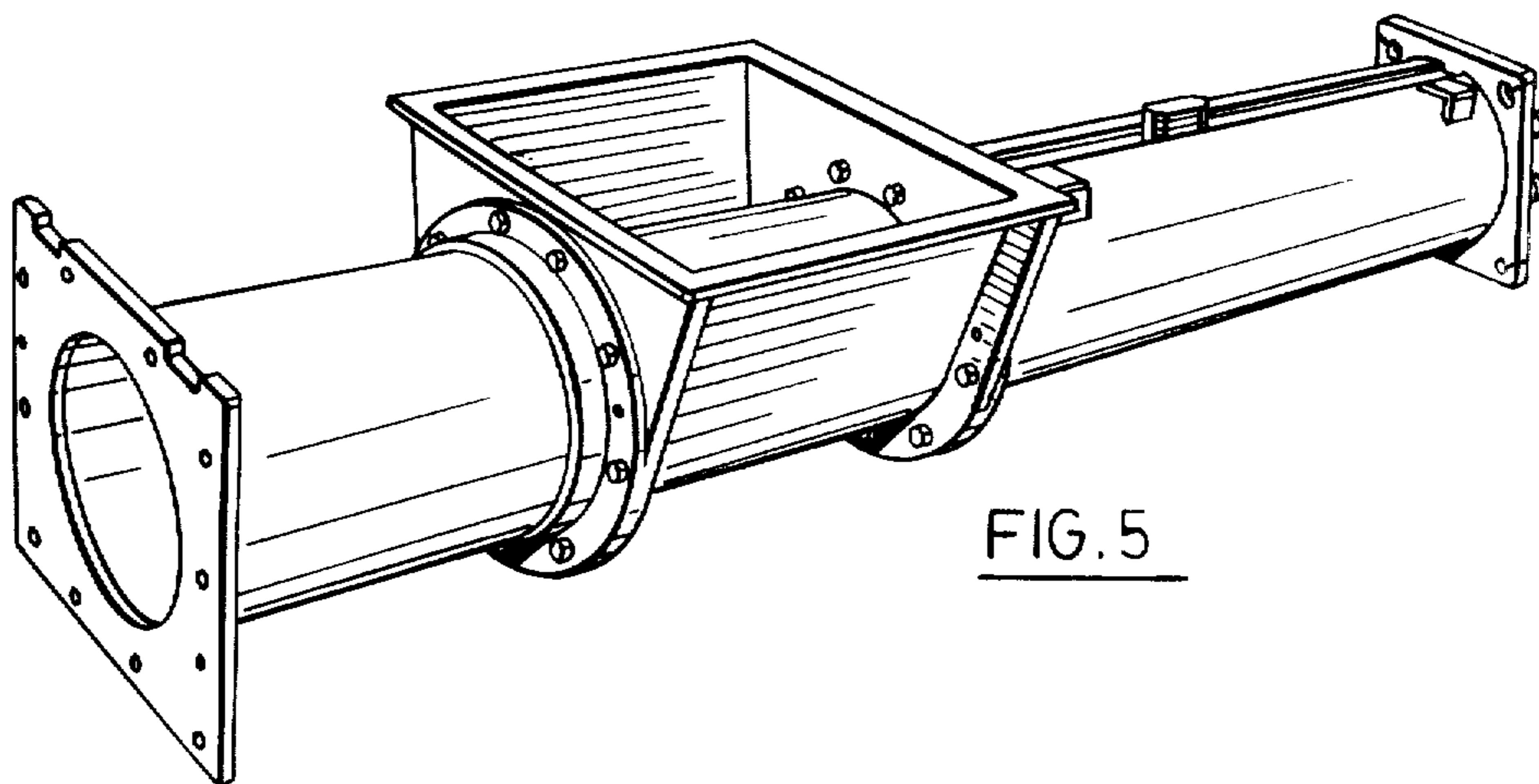


FIG. 5

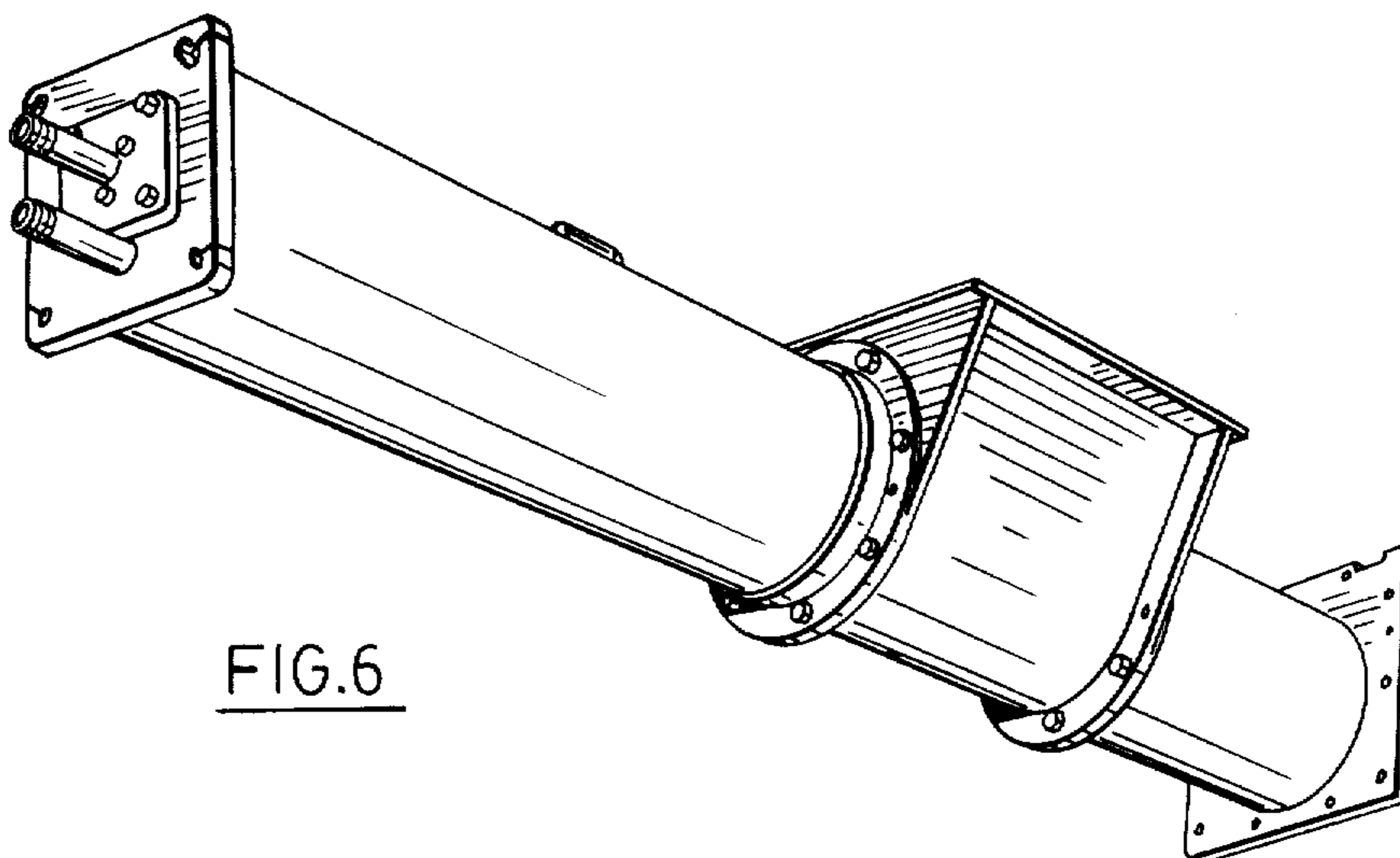


FIG. 6