

[54] COMBINED RADIO AND TELEVISION RECEIVER

[75] Inventors: Isao Sekita, Kyoto; Kiyoshi Suzuki, Ibaraki; Kazuyoshi Sugisaki, Kyoto; Kenichi Ito, Kawanishi; Masaki Yamamoto, Kyoto; Kazunori Mano, Ibaraki, all of Japan

[73] Assignee: Matsushita Electric Industrial Co., Ltd., Osaka, Japan

[\*\*] Term: 14 Years

[21] Appl. No.: 154,566

[22] Filed: May 29, 1980

[30] Foreign Application Priority Data

Dec. 3, 1979 [JP] Japan ..... 54-50714[U]

[51] Int. Cl. .... D14-03

[52] U.S. Cl. .... D14/70; D14/72; D14/79; D14/80

[58] Field of Search ..... D14/1, 5, 68, 70-81; D10/15

[56] References Cited

U.S. PATENT DOCUMENTS

D. 257,002 9/1980 Nesbitt ..... D10/15

OTHER PUBLICATIONS

Home Furnishings Daily, 7-23-71, p. 17, Panasonic TR-425R & TR-003 TV's.

"Panasonic Consumer Electronics" Booklet, p. 53, TR-475 TV.

Best Products "Pre-Holiday Gift Specials" Cat., p. 27, Item F, Panasonic TR535 TV.

Primary Examiner—Jane E. Corrigan  
Attorney, Agent, or Firm—Sughrue, Mion, Zinn, Macpeak & Seas

[57] CLAIM

The ornamental design for a combined radio and television receiver, as shown and described.

DESCRIPTION

FIG. 1 is a front, top and right side perspective view of a combined radio and television receiver showing our new design;

FIG. 2 is a front elevational view thereof;

FIG. 3 is a top plan view thereof;

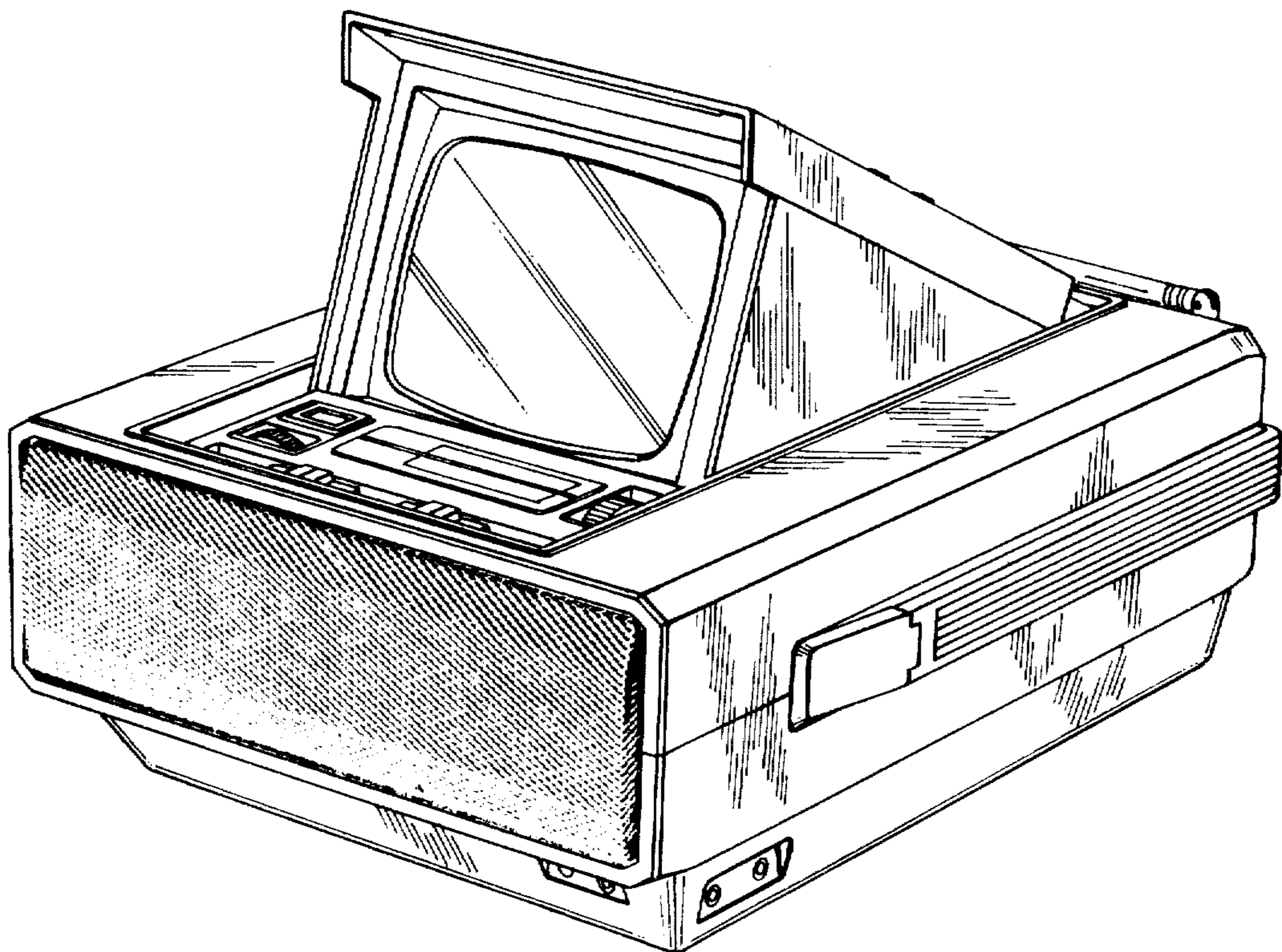
FIG. 4 is a right side elevational view thereof;

FIG. 5 is a left side elevational view thereof;

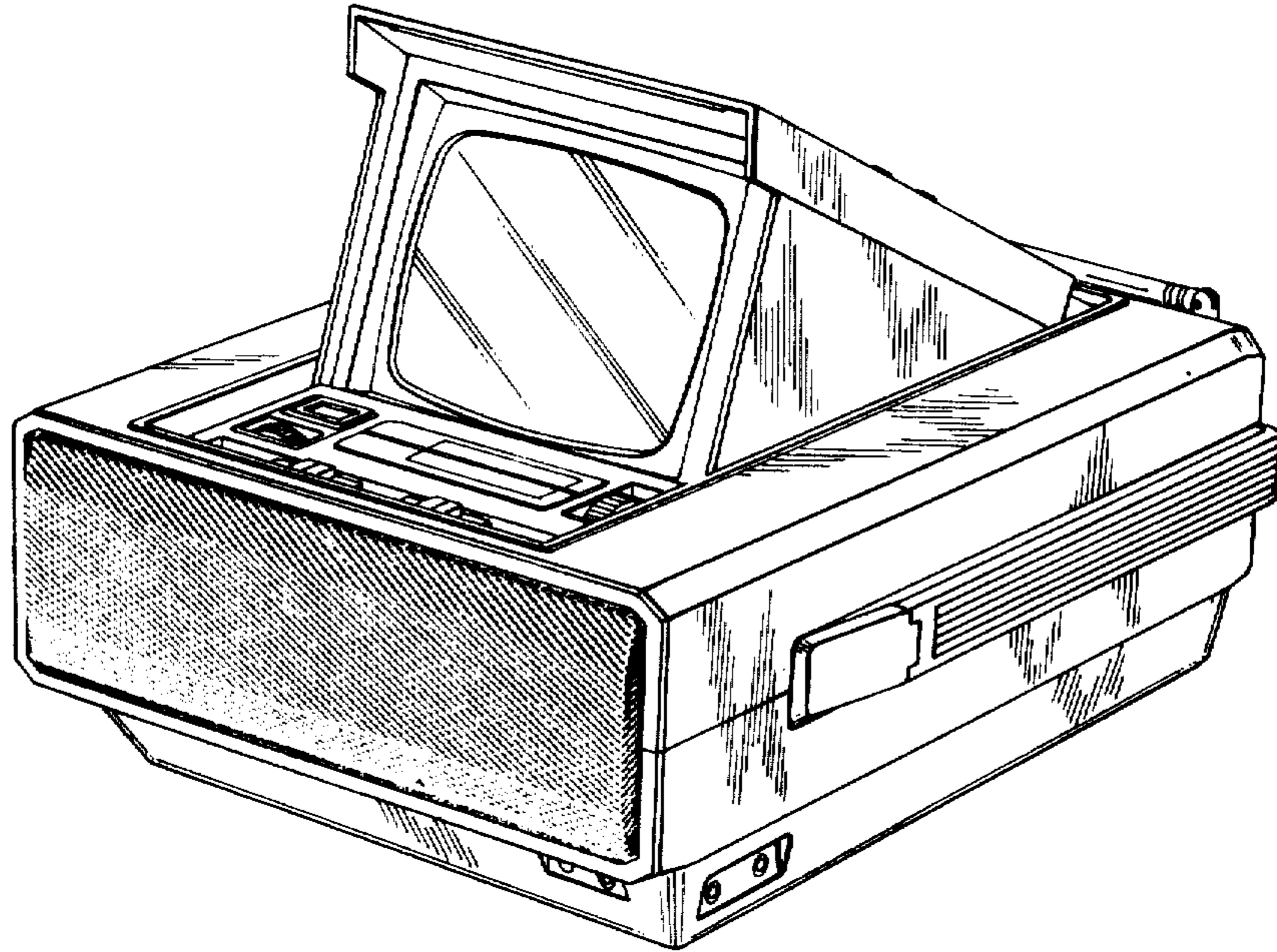
FIG. 6 is a rear elevational view thereof;

FIG. 7 is a view similar to FIG. 1 with the television display face in retracted position; and

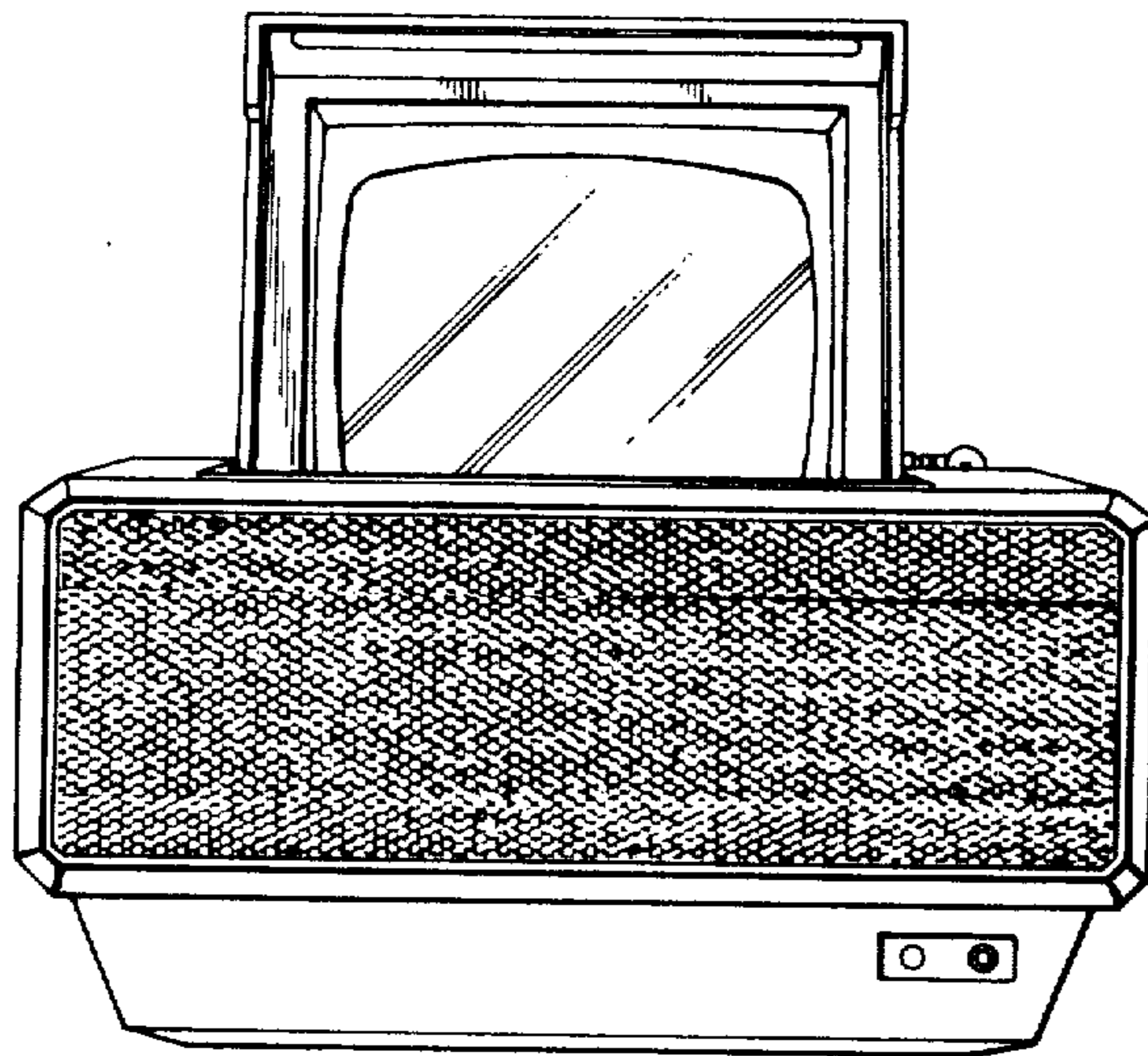
FIG. 8 is a rear, bottom and left side perspective view thereof, in display tube retracted position.



*FIG. 1*

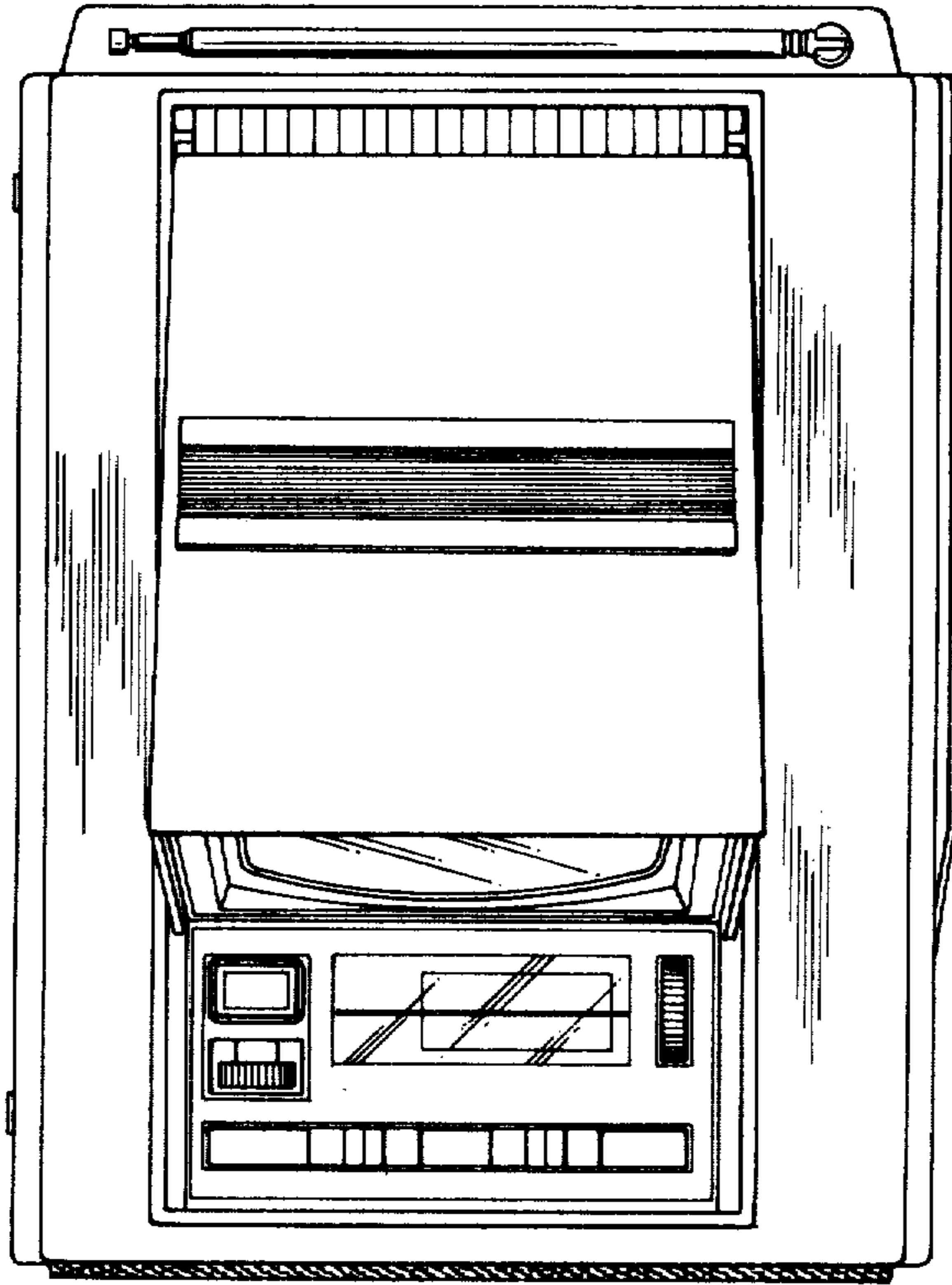


*FIG. 2*

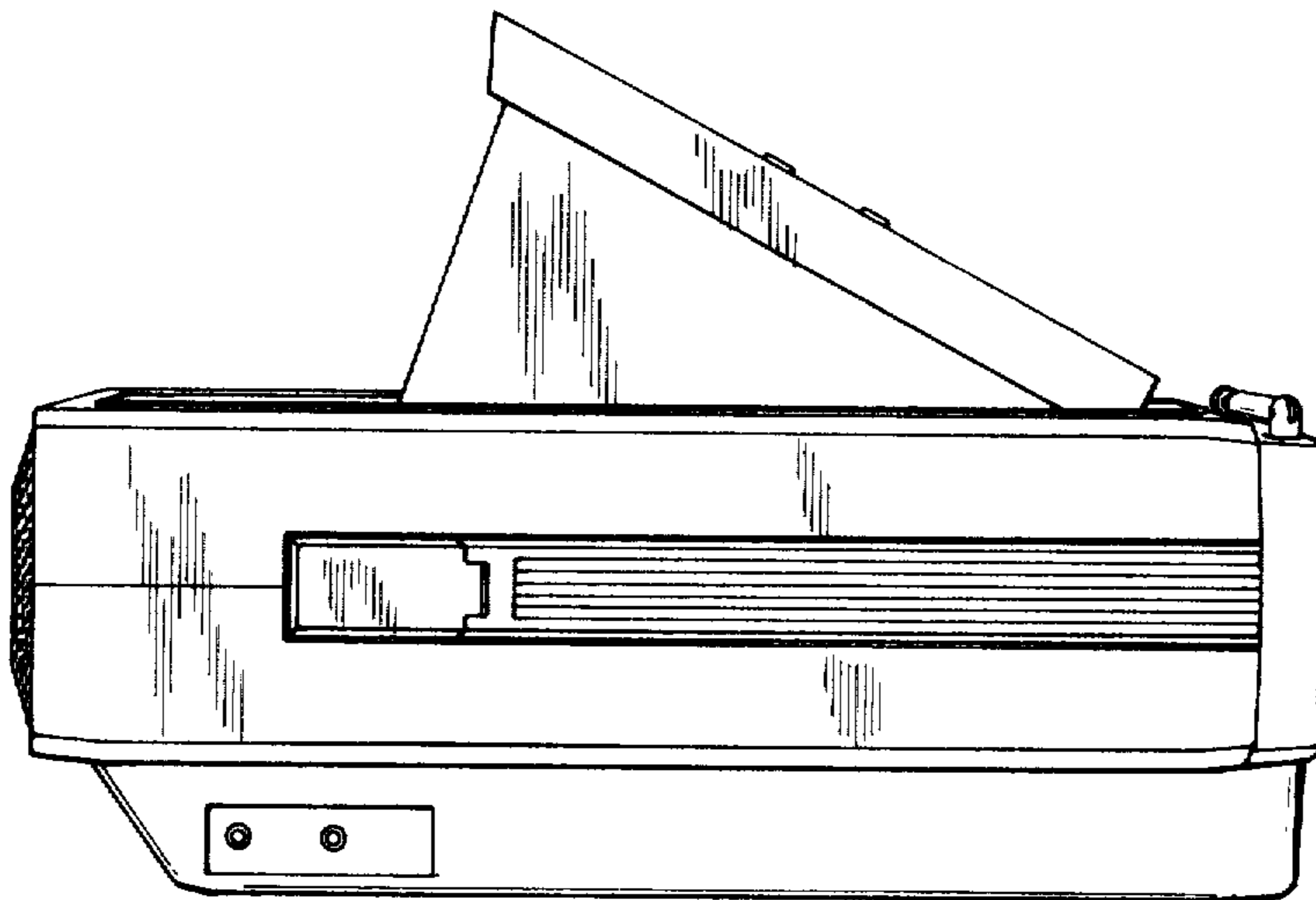




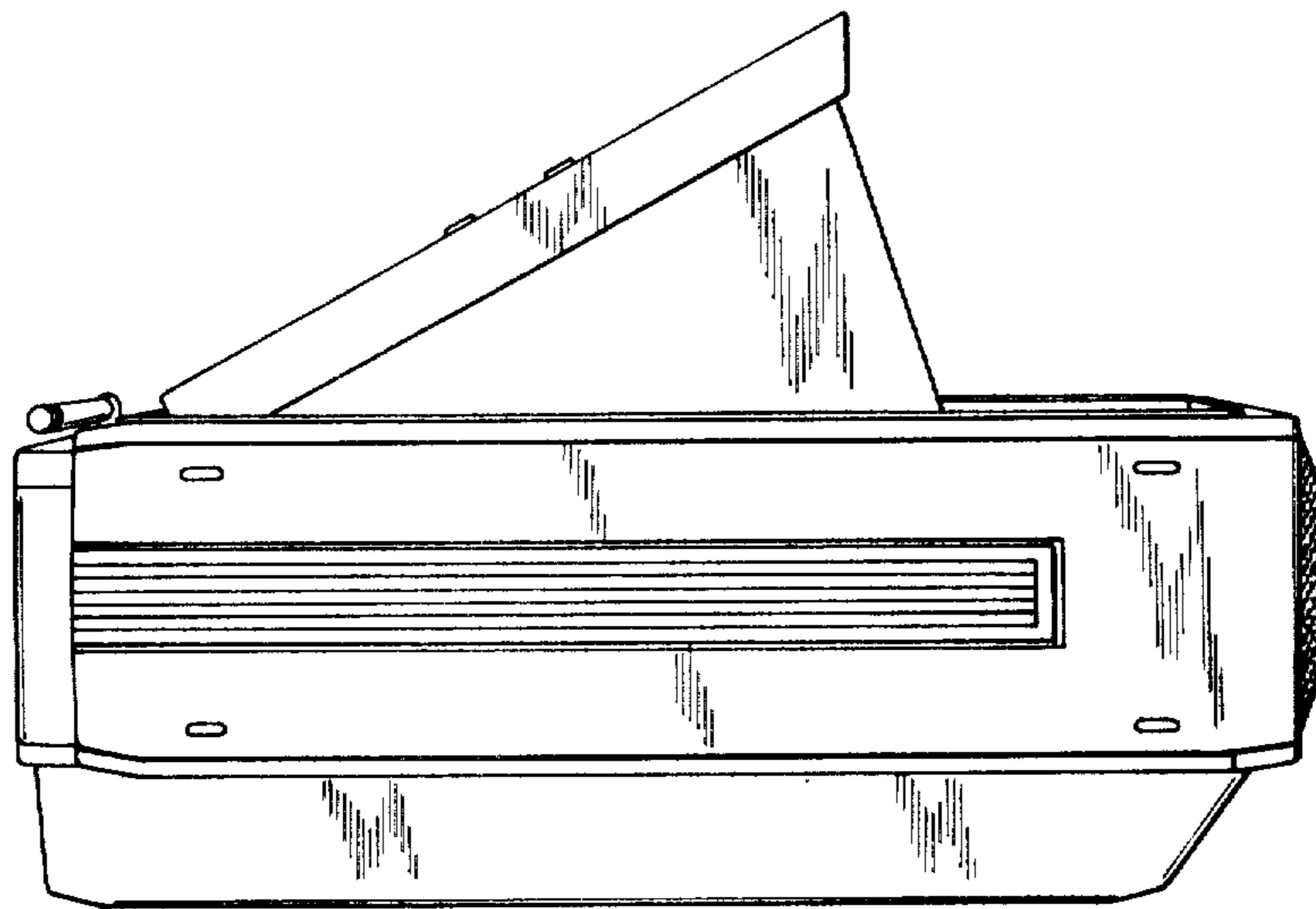
*FIG. 3*



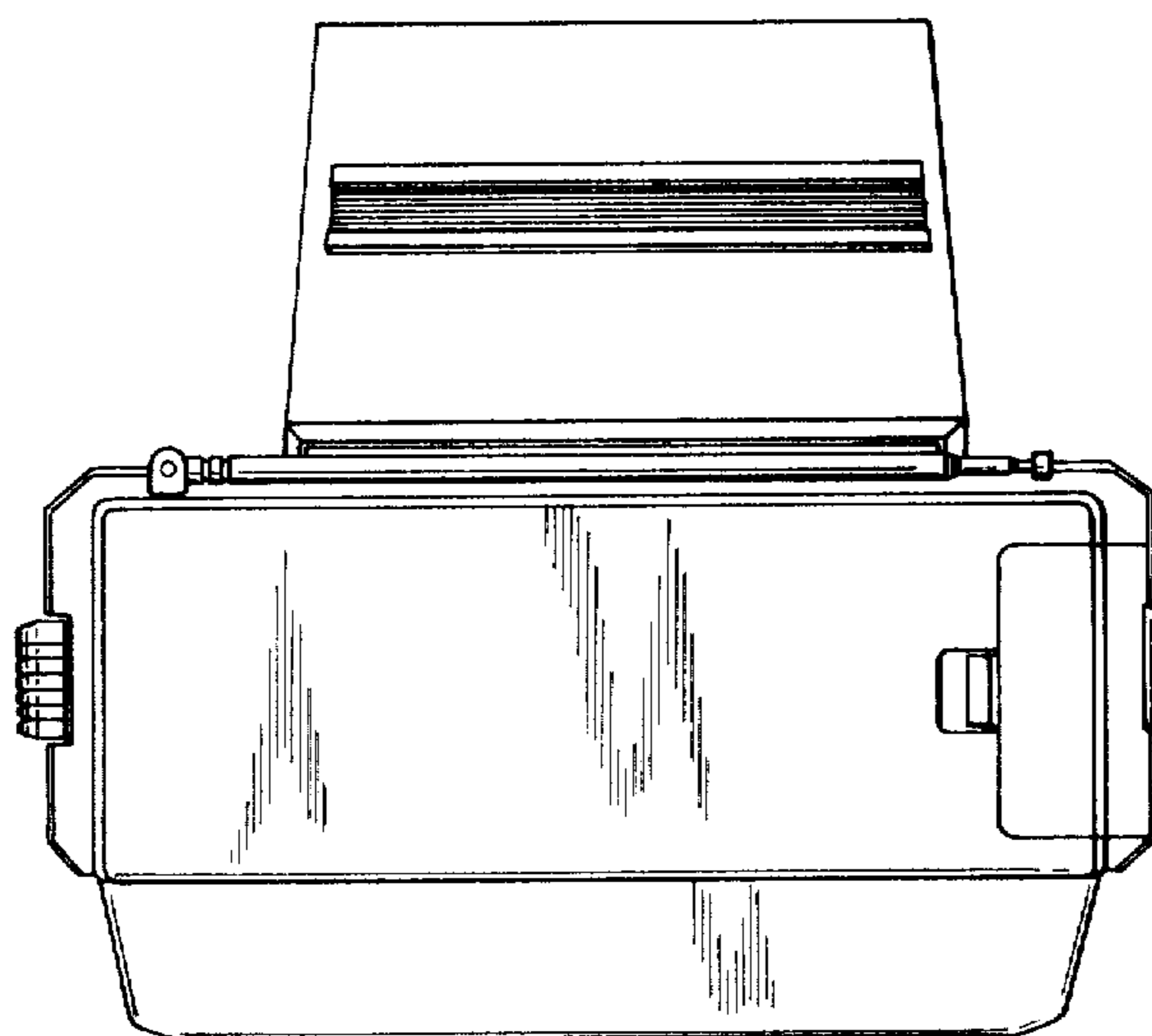
*FIG. 4*



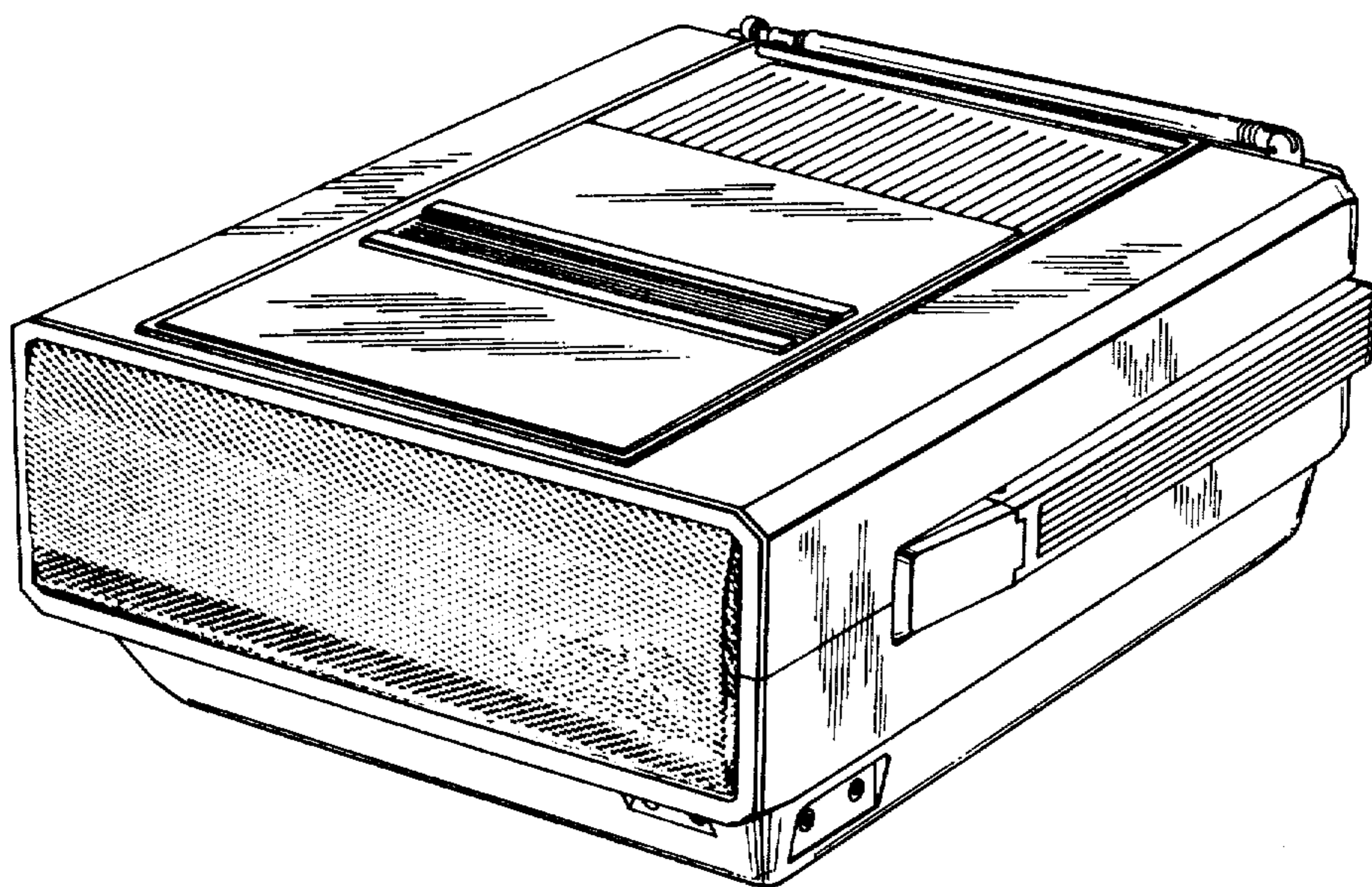
*FIG. 5*



*FIG. 6*



*FIG. 7*



*FIG. 8*

