

[54] **PALLET**

[76] **Inventor:** **Claes Nordström, Sigvard**
Grubbesgaten 12, S-230 40 Bara,
Sweden

[**] **Term:** **14 Years**

[21] **Appl. No.:** **112,180**

[22] **Filed:** **Jan. 15, 1980**

[30] **Foreign Application Priority Data**

Jul. 19, 1979 [SE] Sweden 79-1682

[51] **Int. Cl.** **D9-08**

[52] **U.S. Cl.** **D34/38**

[58] **Field of Search** **D12/53; 108/51.1, 52.1,**
108/53.1, 55.1, 55.3, 57.1

[56]

References Cited

U.S. PATENT DOCUMENTS

3,157,423 11/1964 Brie, Sr. 108/51.1

FOREIGN PATENT DOCUMENTS

2713495 9/1978 Fed. Rep. of Germany 108/51.1

1088985 10/1967 United Kingdom 108/51.1

Primary Examiner—James M. Gandy

Attorney, Agent, or Firm—Ostrolenk, Faber, Gerb &
Soffen

[57]

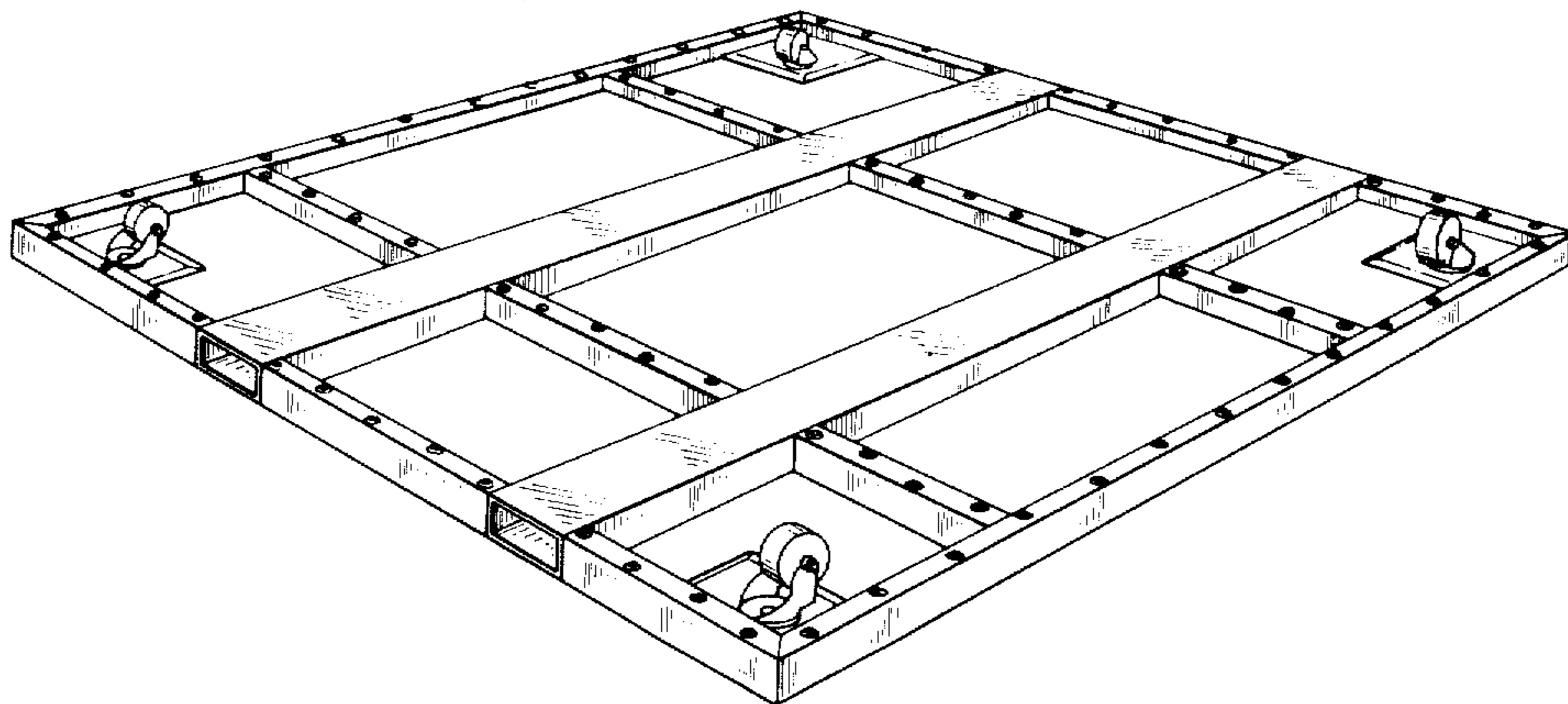
CLAIM

The ornamental design for a pallet, as shown.

DESCRIPTION

FIG. 1 is a top perspective view of a pallet showing my
new design; and

FIG. 2 is a bottom perspective view thereof.



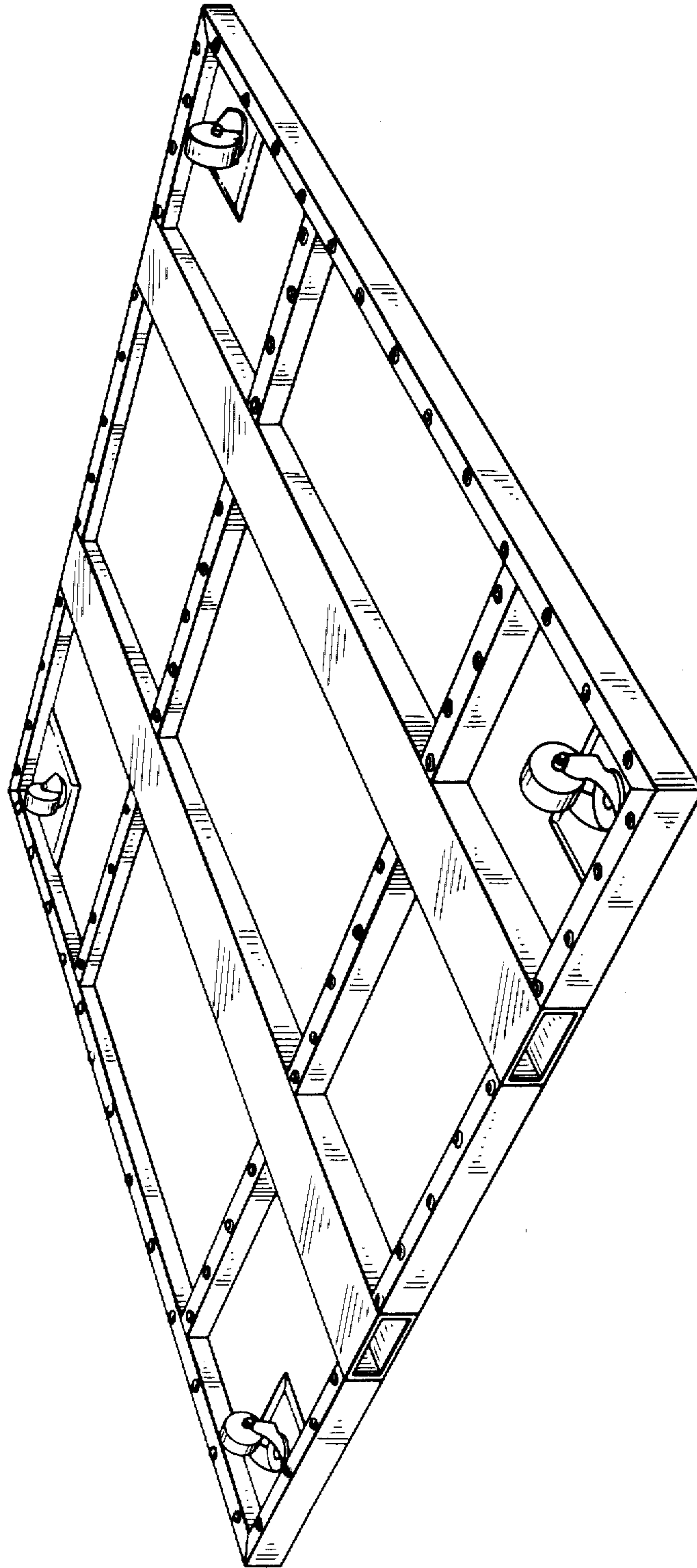


FIG. 1

FIG. 2

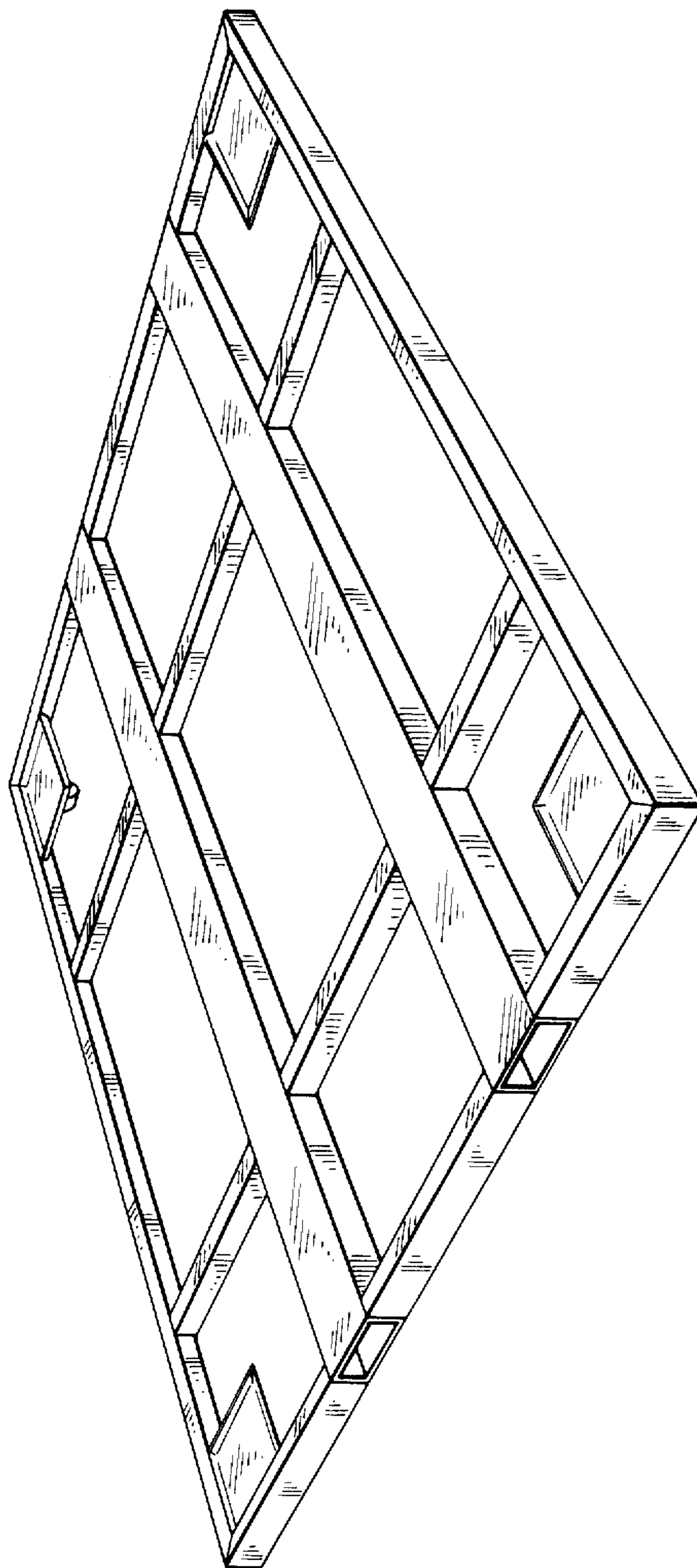
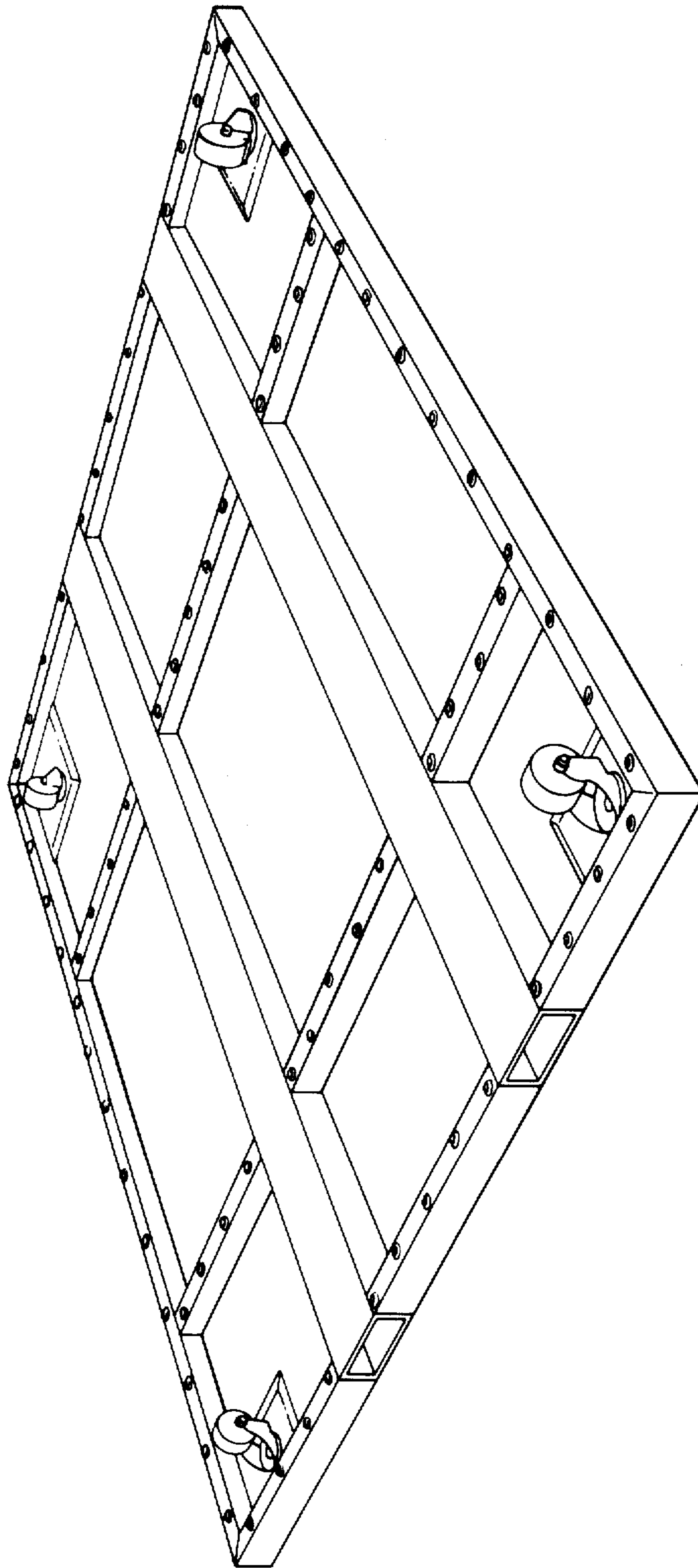


FIG. 1



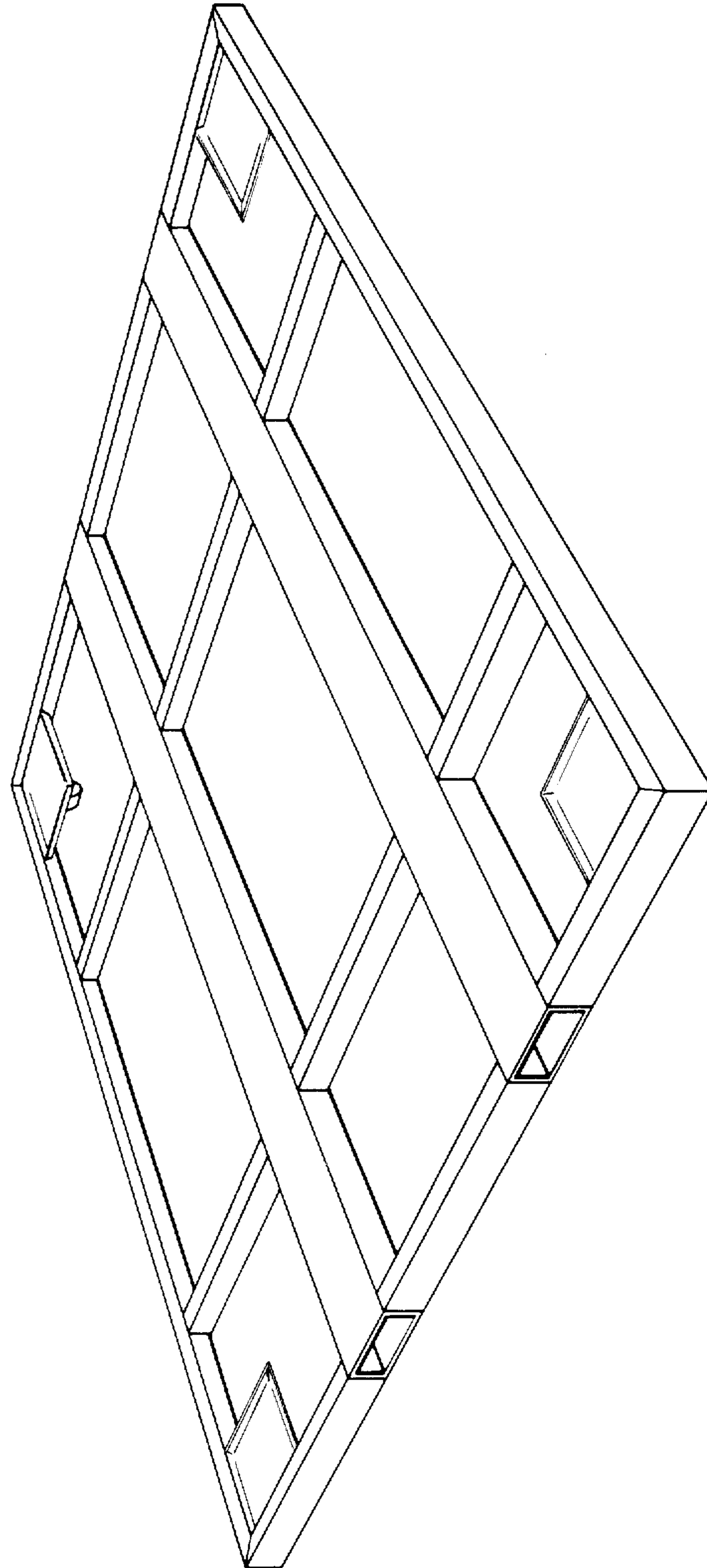


FIG. 2