

[54] WATCH

[75] Inventor: Susumu Suzuki, Suwa, Japan

[73] Assignee: Kabushiki Kaisha Suwa Seikosha, Tokyo, Japan

[**] Term: 3 1/2 Years

[21] Appl. No.: 142,948

[22] Filed: Apr. 23, 1980

[30] Foreign Application Priority Data

Oct. 26, 1979 [JP] Japan 54-45133

[51] Int. Cl. D10-02

[52] U.S. Cl. D10/38

[58] Field of Search D10/1, 15, 30-37, D10/38, 39, 122-126; 368/82-84, 239-242, 276, 281, 285

[56] References Cited

U.S. PATENT DOCUMENTS

- D. 237,149 10/1975 Watanabe D10/38
- D. 244,086 4/1977 Lawrence D10/38

OTHER PUBLICATIONS

Jewelers' Circular-Keystone-9/78 p. 122-Watch at left.
Jewelers' Circular-Keystone-2/79-p. 181-Watch at top.
European Jeweler 9/77-p. 8-Watch at center.

Primary Examiner—Nelson C. Holtje
Attorney, Agent, or Firm—Blum, Kaplan, Friedman, Silberman & Beran

[57] CLAIM

The ornamental design for a watch, as shown and described.

DESCRIPTION

FIG. 1 is a top plan view of a watch showing my new design;
 FIG. 2 is a front elevational view thereof in a non-activated condition;
 FIG. 3 is a left side elevational view of FIG. 2;
 FIG. 4 is a right side elevational view of FIG. 2;
 FIG. 5 is a rear elevational view of FIG. 2;
 FIG. 6 is a bottom plan view of FIG. 2;
 FIG. 7 is a front elevational view of FIG. 1 in an activated condition; and
 FIG. 8 is a front elevational view of another embodiment of my new design of FIGS. 1-7, all other views being substantially identical thereto.

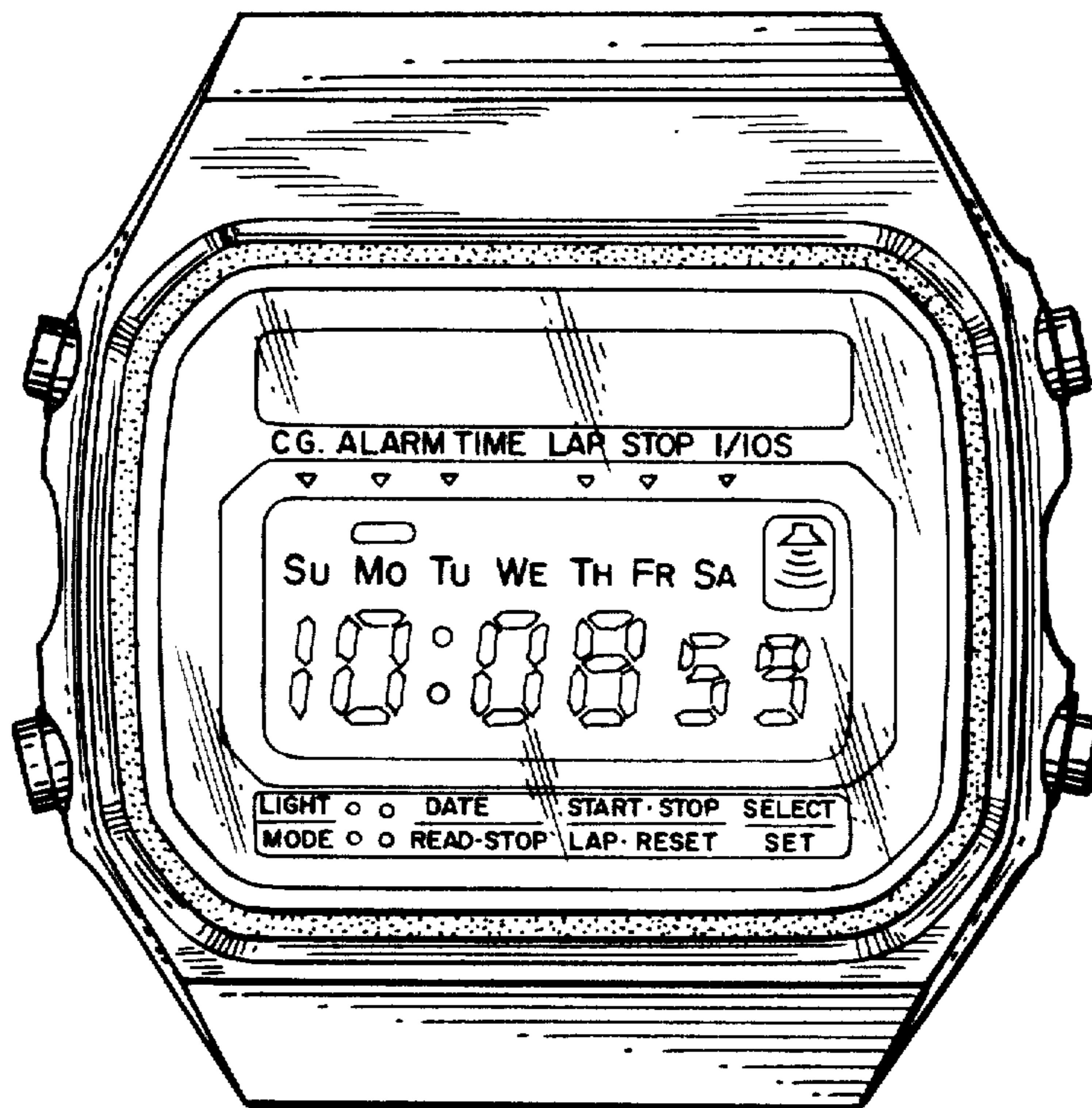


FIG. 1

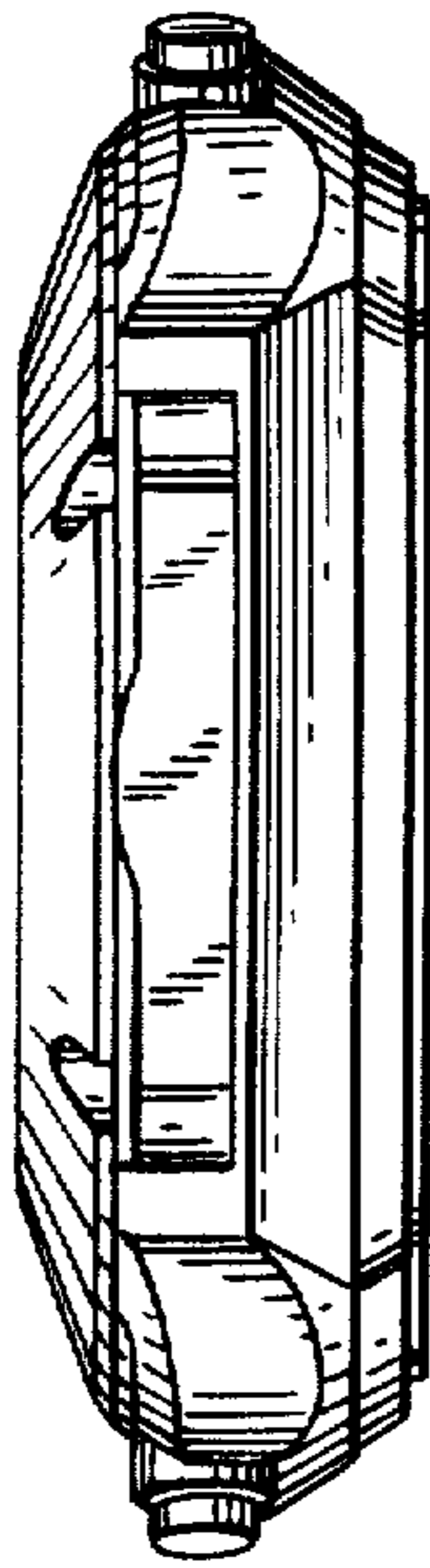


FIG. 2

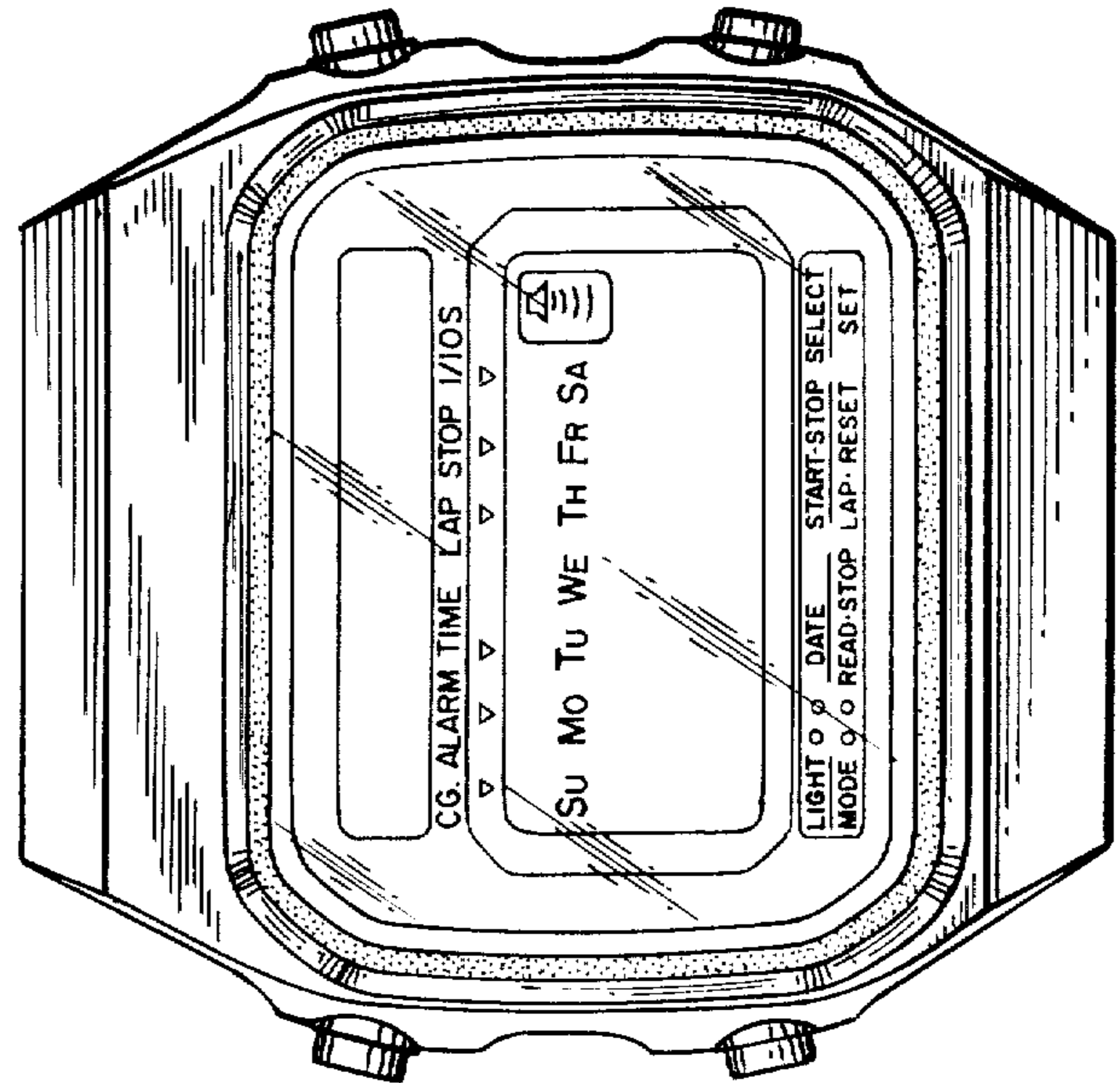


FIG. 3

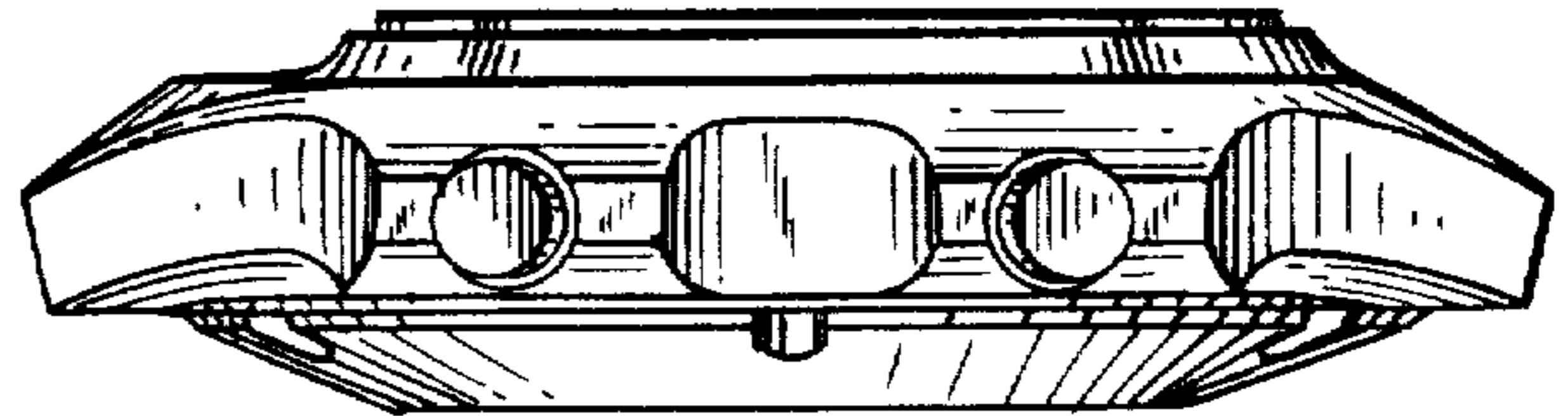


FIG. 4

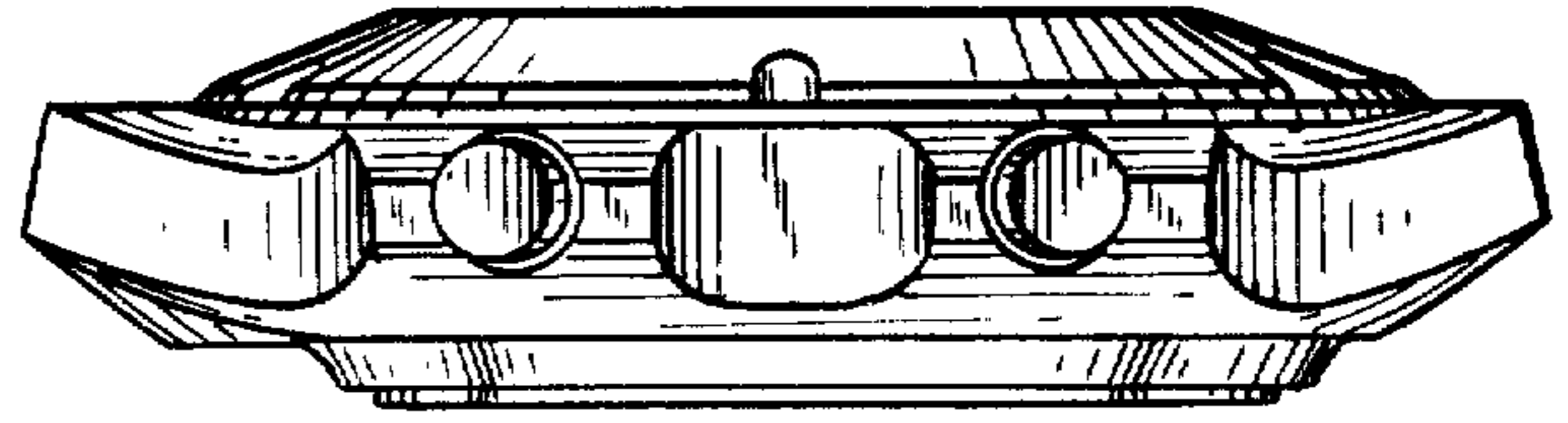


FIG. 7

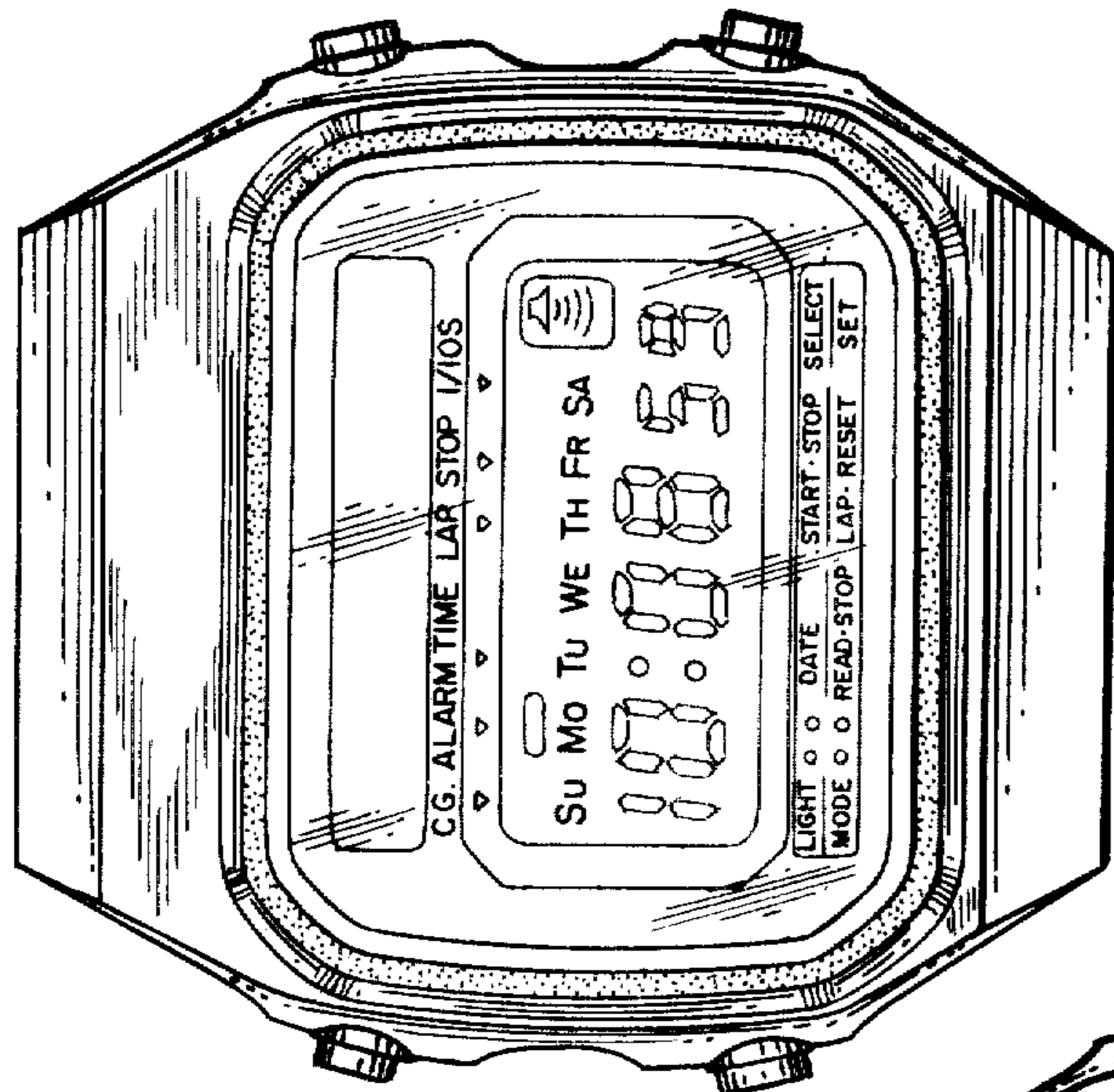


FIG. 8

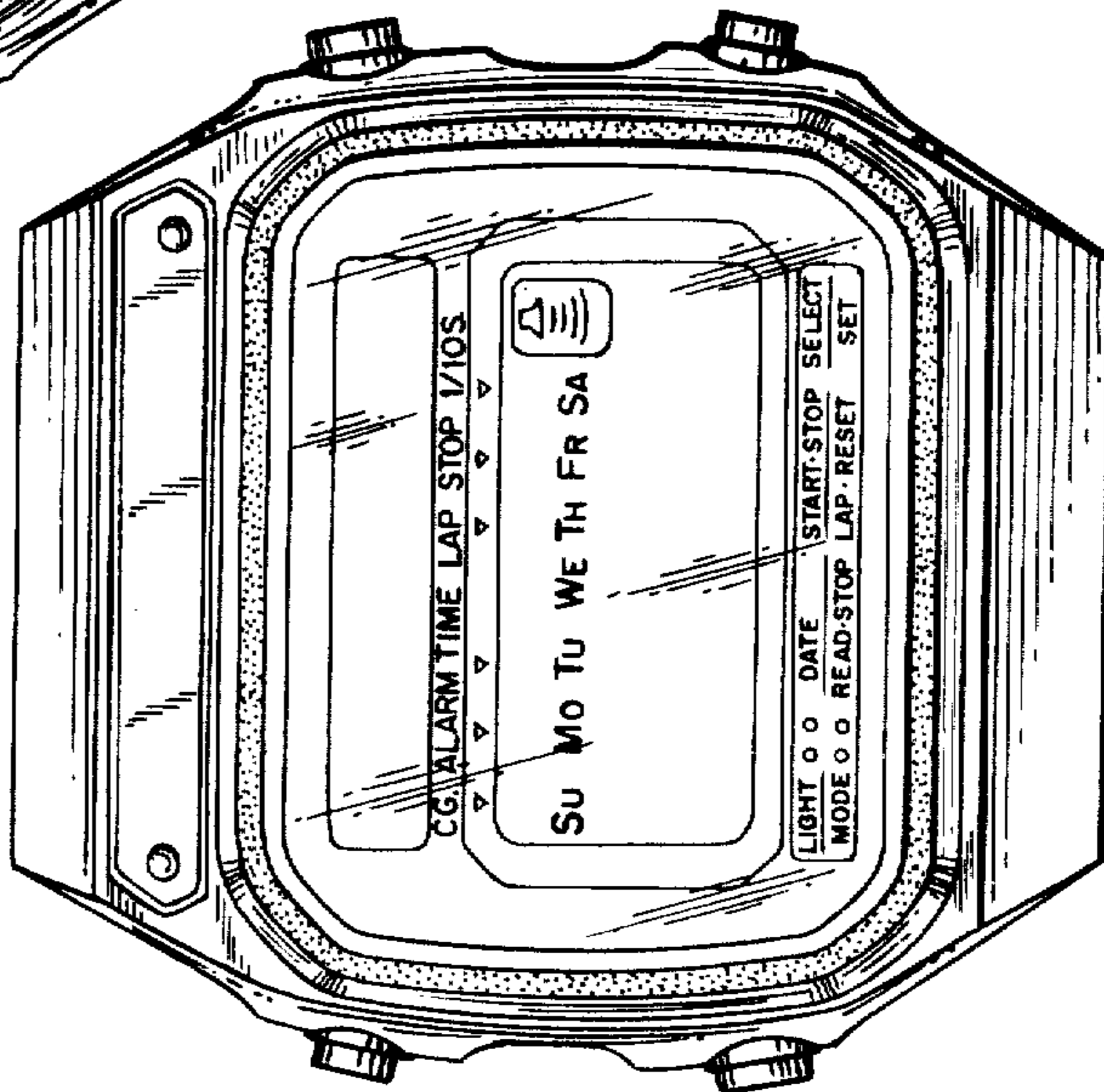


FIG. 5

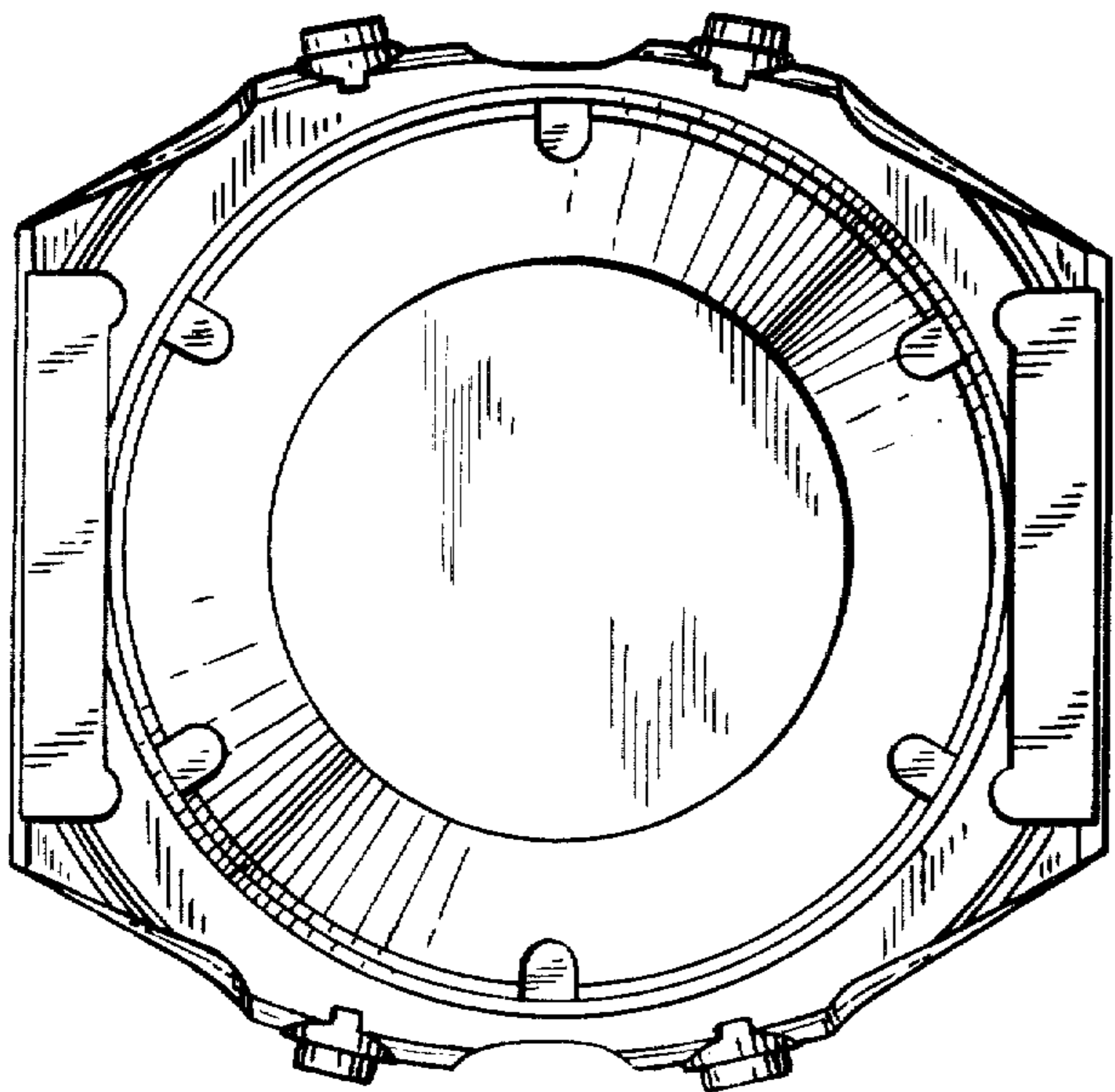


FIG. 6

