

[54] COMBINED DISPENSER CAP AND SEPARABLE CLOSURE PLUG THEREFOR

[75] Inventor: Alan H. Bailey, Middlesbrough, England

[73] Assignee: USM Corporation, Farmington, Conn.

[**] Term: 14 Years

[21] Appl. No.: 965,728

[22] Filed: Dec. 1, 1978

[30] Foreign Application Priority Data

Jun. 6, 1978 [GB] United Kingdom 984943/78

[51] Int. Cl. D9-07

[52] U.S. Cl. D9/449

[58] Field of Search D9/253, 254, 258, 261, D9/287, 434, 435, 436, 437, 442, 447, 449, 499; 215/316; 222/191, 563, 562

[56] References Cited

U.S. PATENT DOCUMENTS

D. 201,652 7/1965 Podall D9/258
2,665,820 1/1954 Soffer 222/562
4,090,647 5/1978 Dunning 222/562

FOREIGN PATENT DOCUMENTS

238090 5/1964 Austria 222/563

Primary Examiner—George P. Word
Assistant Examiner—Carmen H. Vales
Attorney, Agent, or Firm—John P. Morley

[57] CLAIM

The ornamental design for a combined dispenser cap and separable closure plug therefor, substantially as shown and described.

DESCRIPTION

FIG. 1 is a perspective view of the combined dispenser cap and separable closure plug therefor showing my new design;
FIG. 2 is a top plan view thereof;
FIG. 3 is a left side elevational view thereof, the right side being substantially a mirror image thereof; and
FIG. 4 is a rear elevational view thereof.

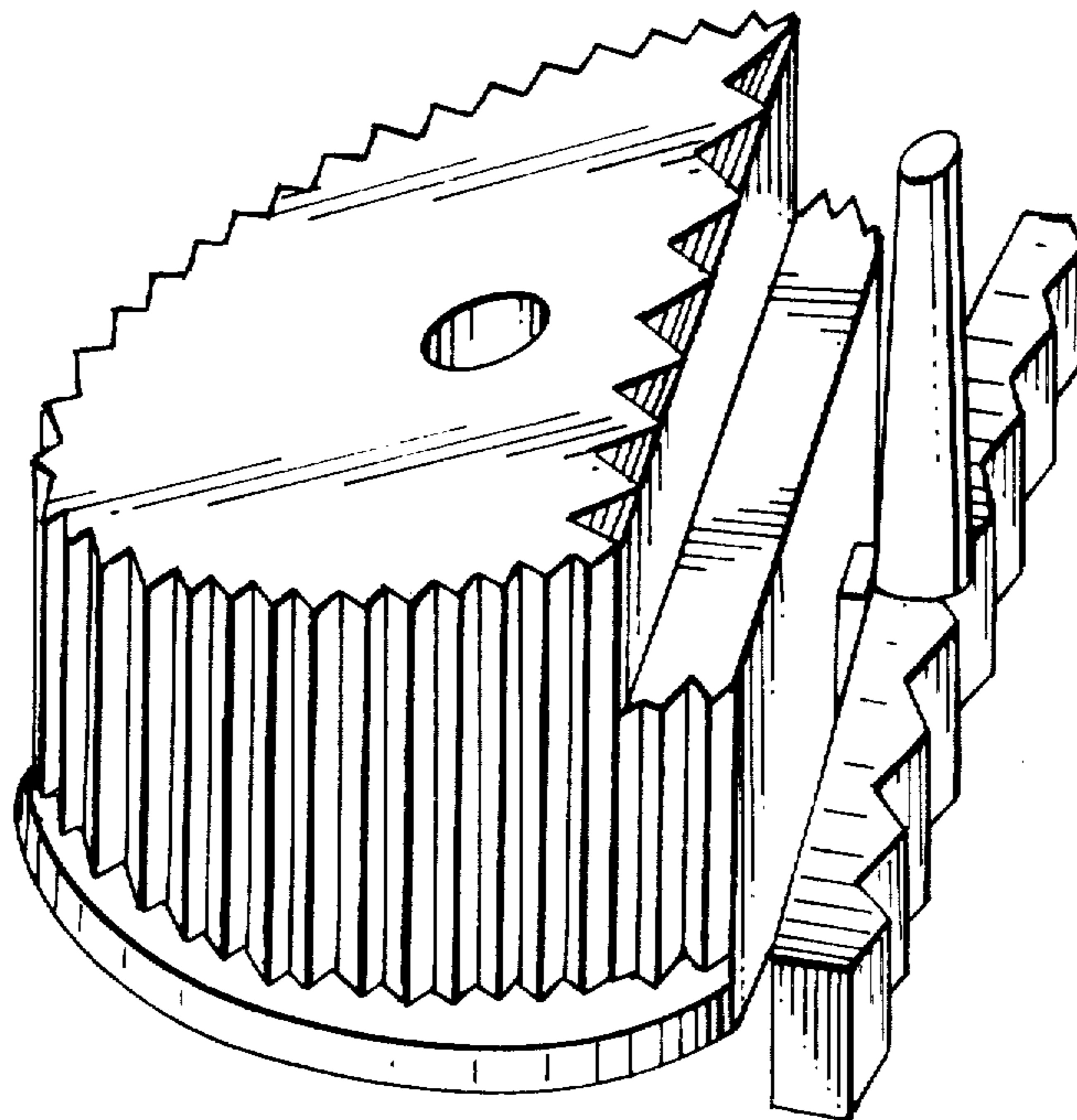


Fig. 1

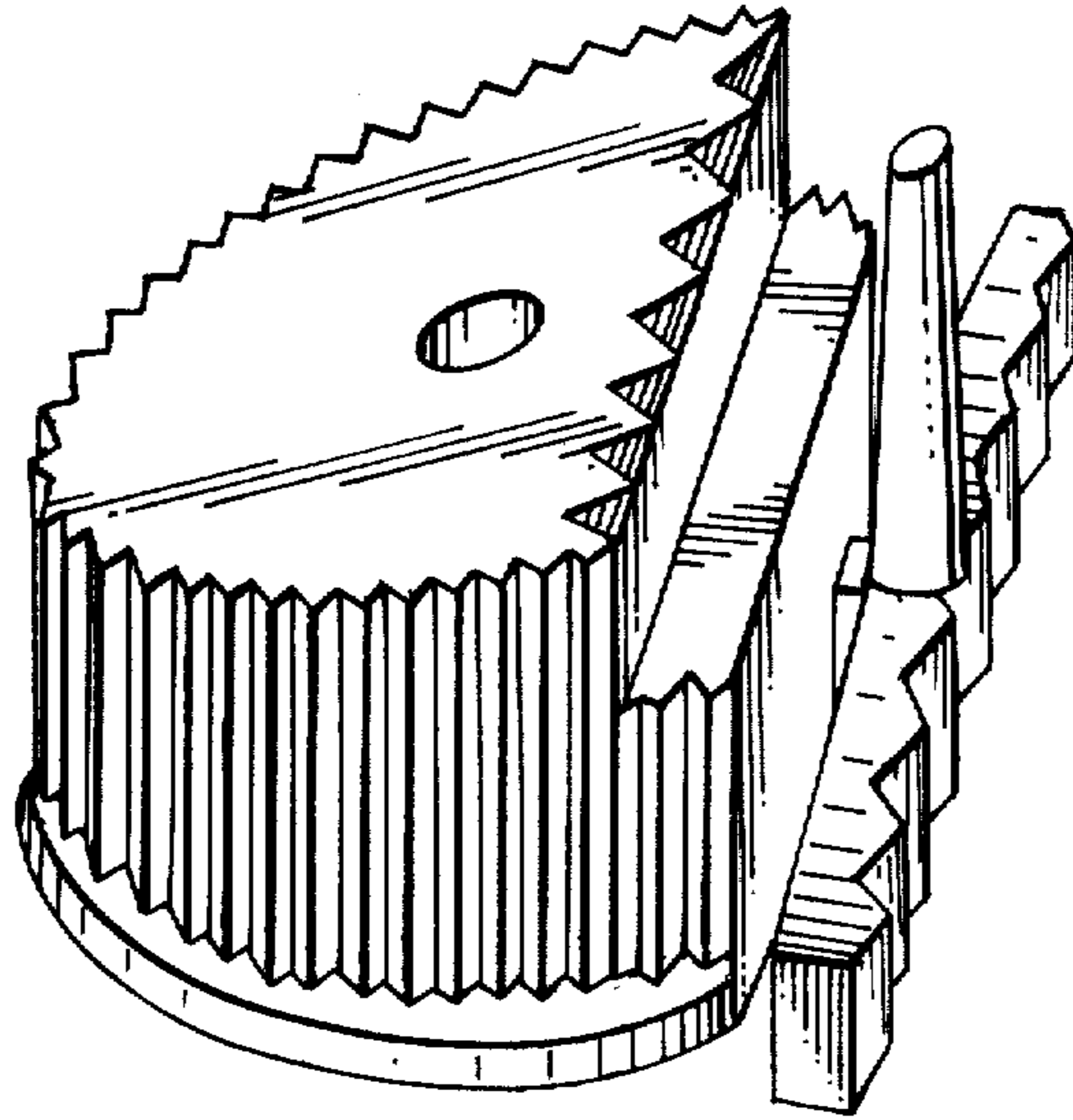


Fig. 2

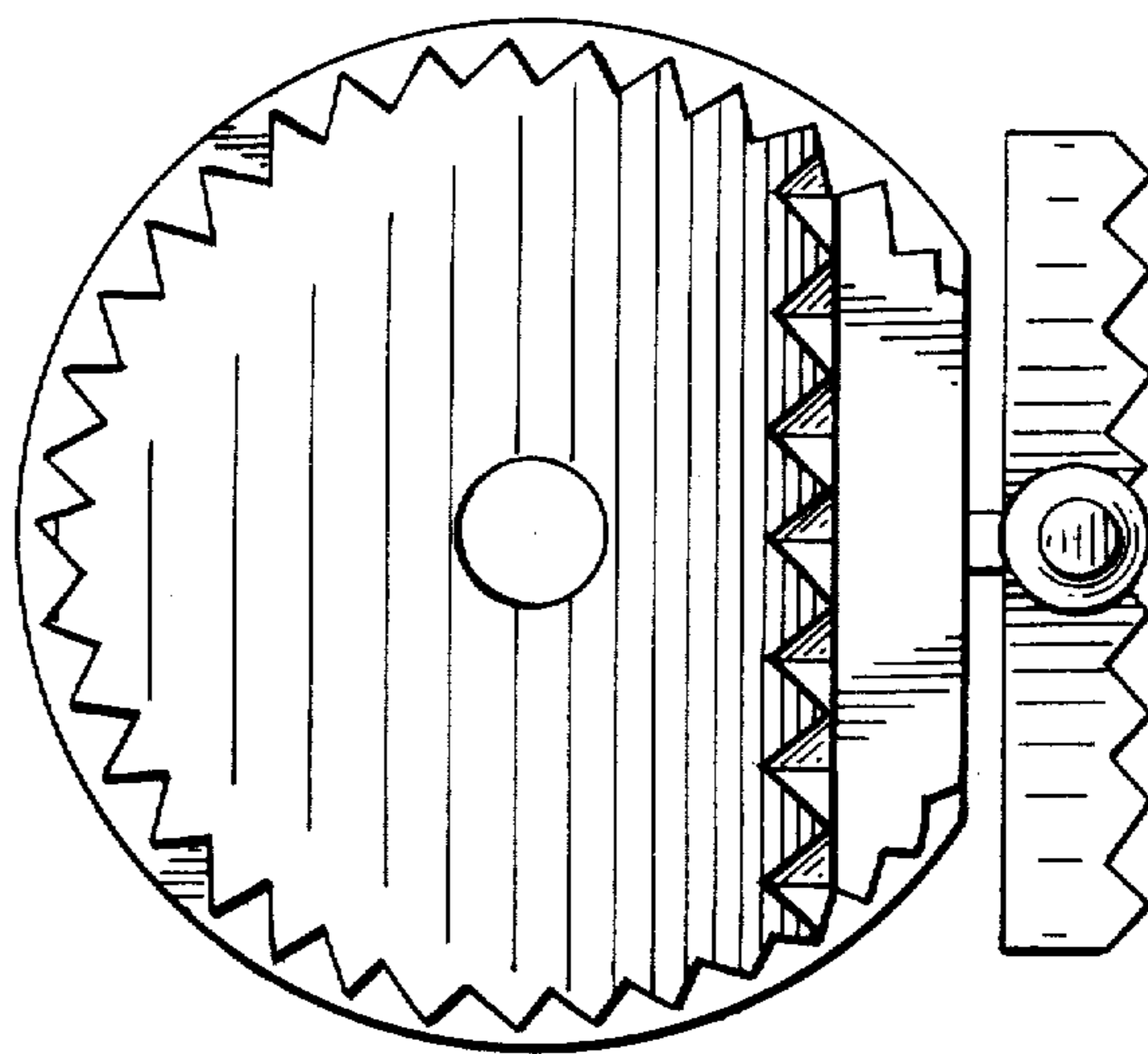


Fig. 3

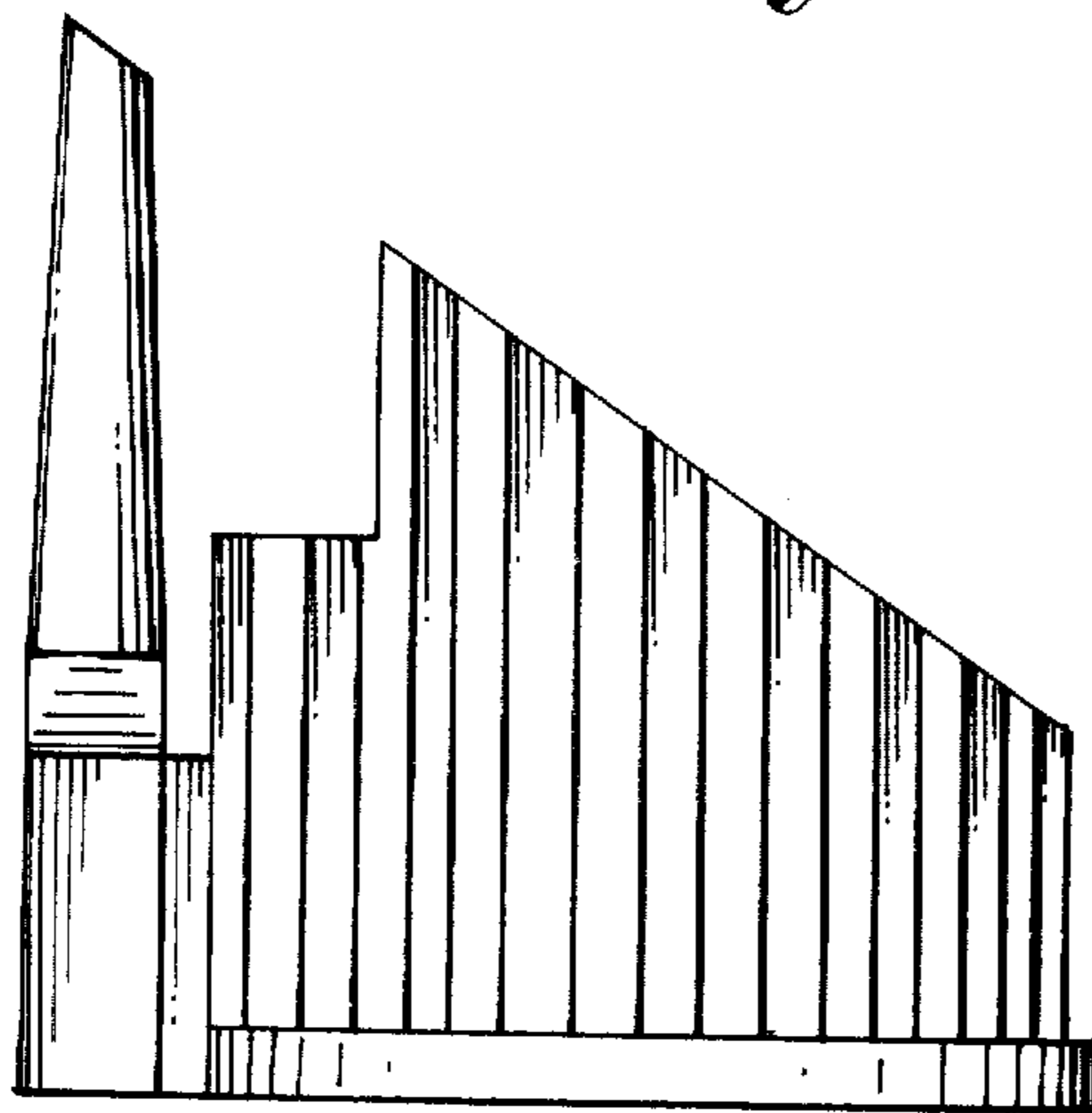


Fig. 4

