

[54] COUPLING of at least two tubes or rods connected thereby

[75] Inventor: **Bengt Magner**, Mellösa, Sweden

[73] Assignee: **Opto-System AB**, Mellösa, Sweden

[**] Term: **14 Years**

[21] Appl. No.: **79,449**

[22] Filed: **Sep. 27, 1979**

[30] **Foreign Application Priority Data**

Mar. 30, 1979 [SE] Sweden 79-0820

[51] Int. Cl. **D8-08**

[52] U.S. Cl. **D8/382**

[58] Field of Search **D8/382, 394, 354; 403/310, 312, 313, 279; 24/243 B, 243 K; D23/42, 43**

[56] **References Cited**

U.S. PATENT DOCUMENTS

D. 157,594	3/1950	Hollaender	D8/382
D. 230,826	3/1974	Menshen	D8/396
D. 248,447	7/1978	Hornung	D8/354
D. 249,459	9/1978	Halliwell	D8/354
1,266,441	5/1918	Finkelstein	403/313
3,079,186	2/1963	Williams	403/274

FOREIGN PATENT DOCUMENTS

618914 9/1935 Fed. Rep. of Germany 403/313

Primary Examiner—B. J. Bullock

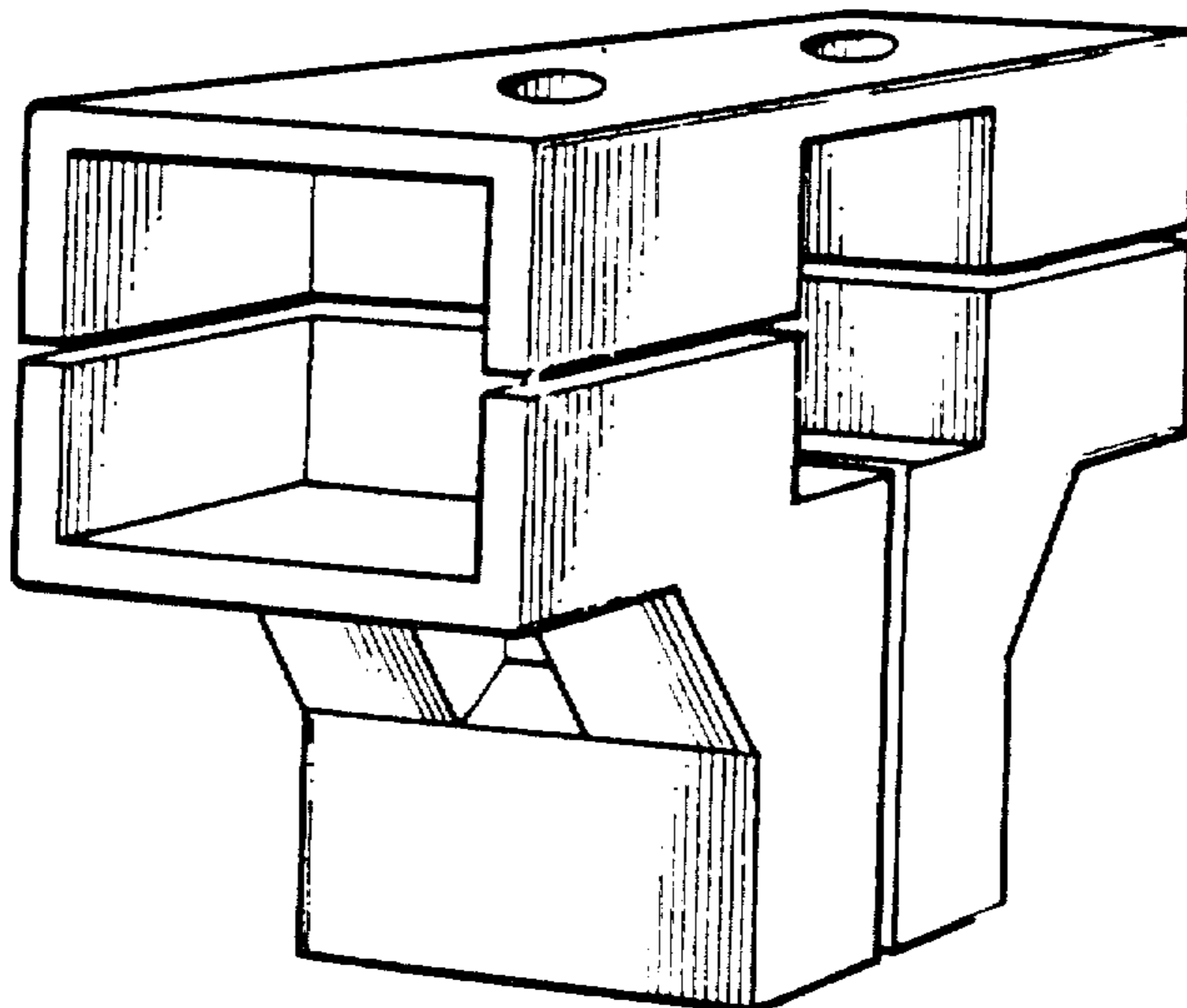
Attorney, Agent, or Firm—Browdy and Neimark

[57] **CLAIM**

The ornamental design for a coupling of at least two tubes or rods connected thereby, as shown and described.

DESCRIPTION

FIG. 1 is a top, front perspective view of a coupling showing my new design; FIG. 2 is an inverted top, rear perspective view thereof; FIG. 3 is a bottom, front perspective view thereof.



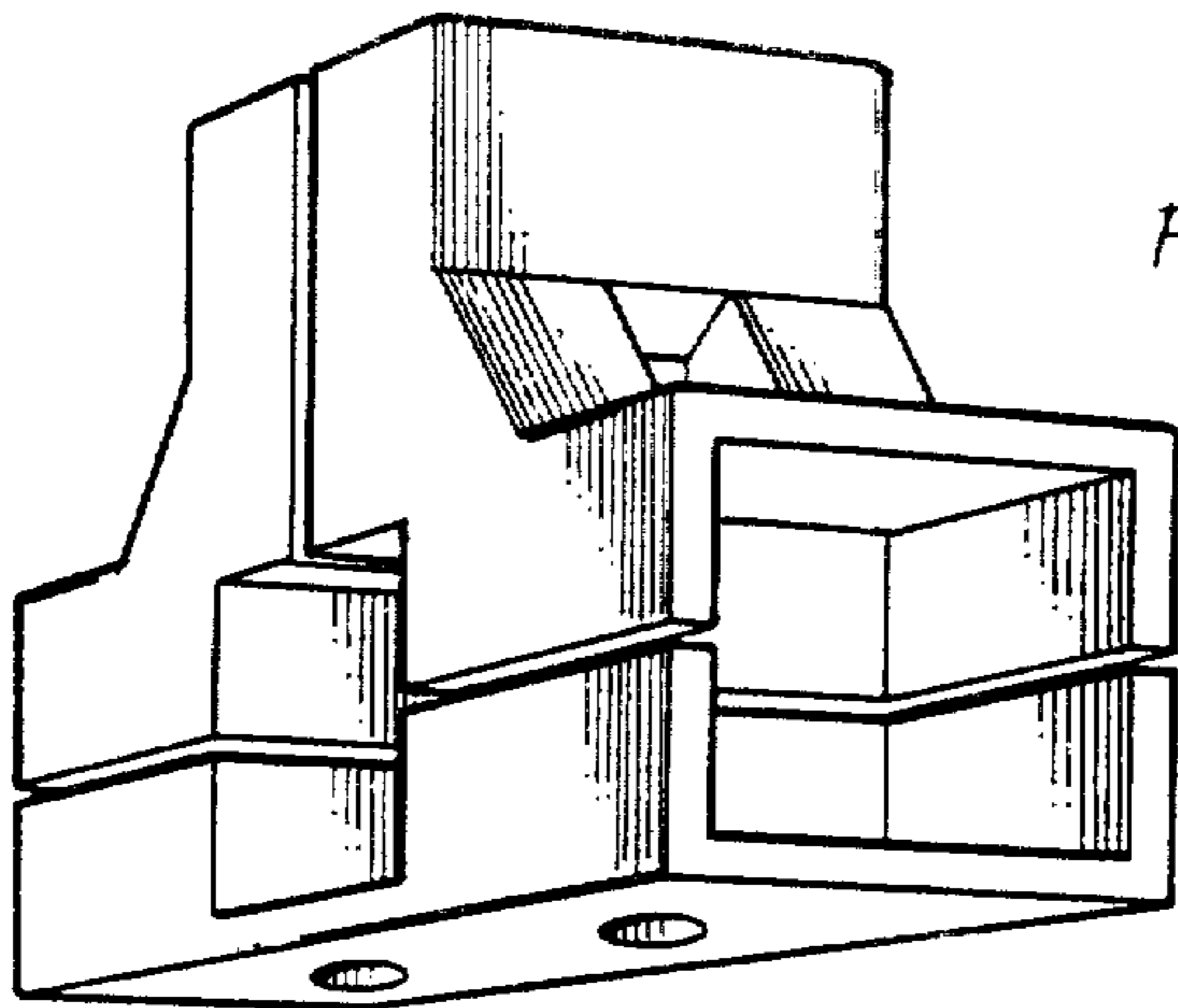


Fig. 2

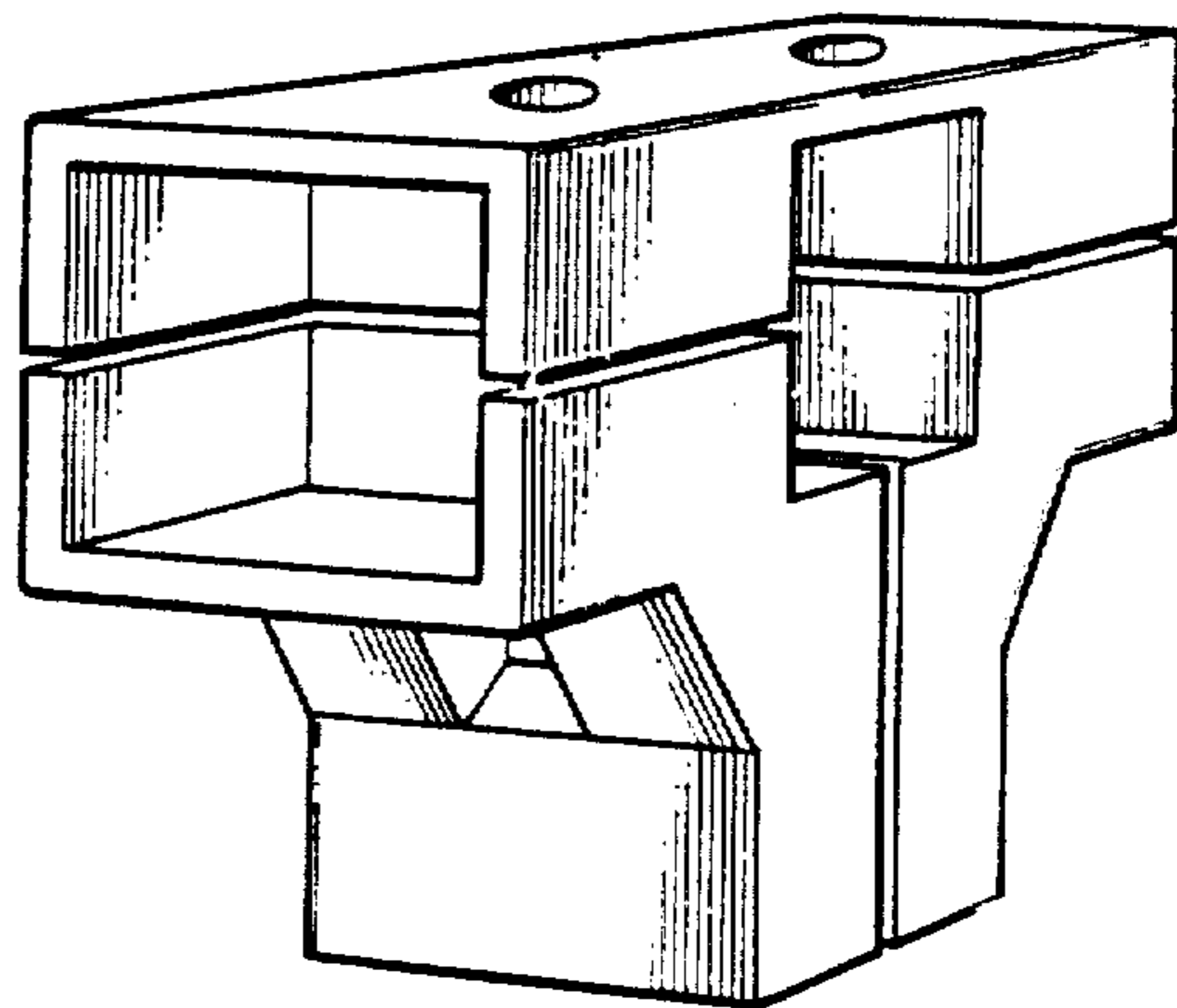


Fig. 1

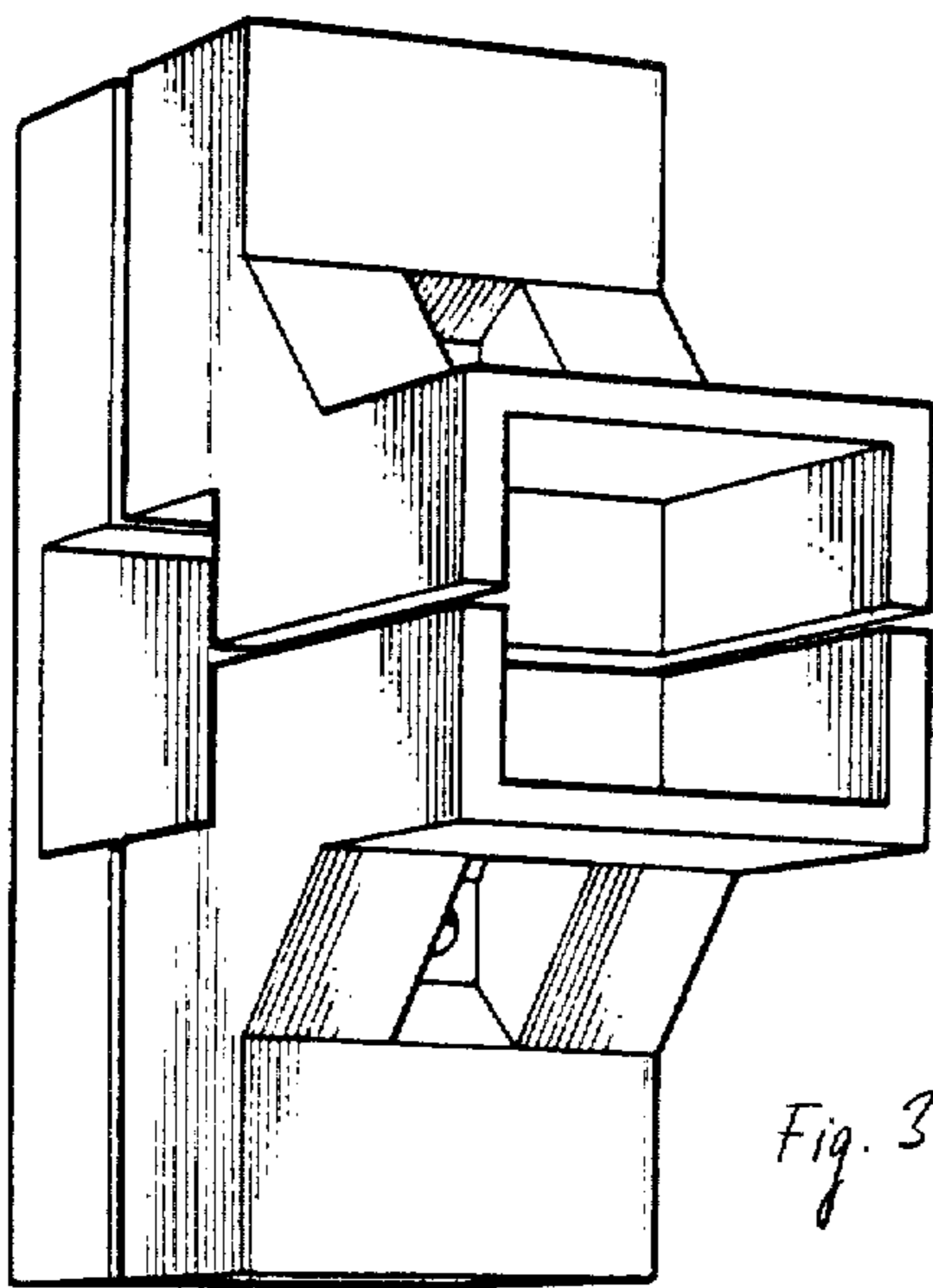


Fig. 3