

[54] COLLAPSIBLE ARTICLE SUPPORT OR SIMILAR ARTICLE

[76] Inventor: Donald B. Smith, R.R. No. 1, Mount Brydges, Ontario, Canada, N0L 1W0

[**] Term: 14 Years

[21] Appl. No.: 56,812

[22] Filed: Jul. 12, 1979

[30] Foreign Application Priority Data

Jun. 4, 1979 [CA] Canada 04-06-79-6

[51] Int. Cl. D6-99

[52] U.S. Cl. D6/184; D19/91

[58] Field of Search D6/85, 139, 180, 184, D6/188, 235; D9/191; D19/90, 91; 248/174, 450, 459, 460, 441 R, 465

[56] References Cited

U.S. PATENT DOCUMENTS

D. 165,024	10/1951	Rodbell	D19/90
844,066	2/1907	Warren	248/459
3,097,444	7/1963	Steiner	248/459
3,305,206	2/1967	Nichols	248/459

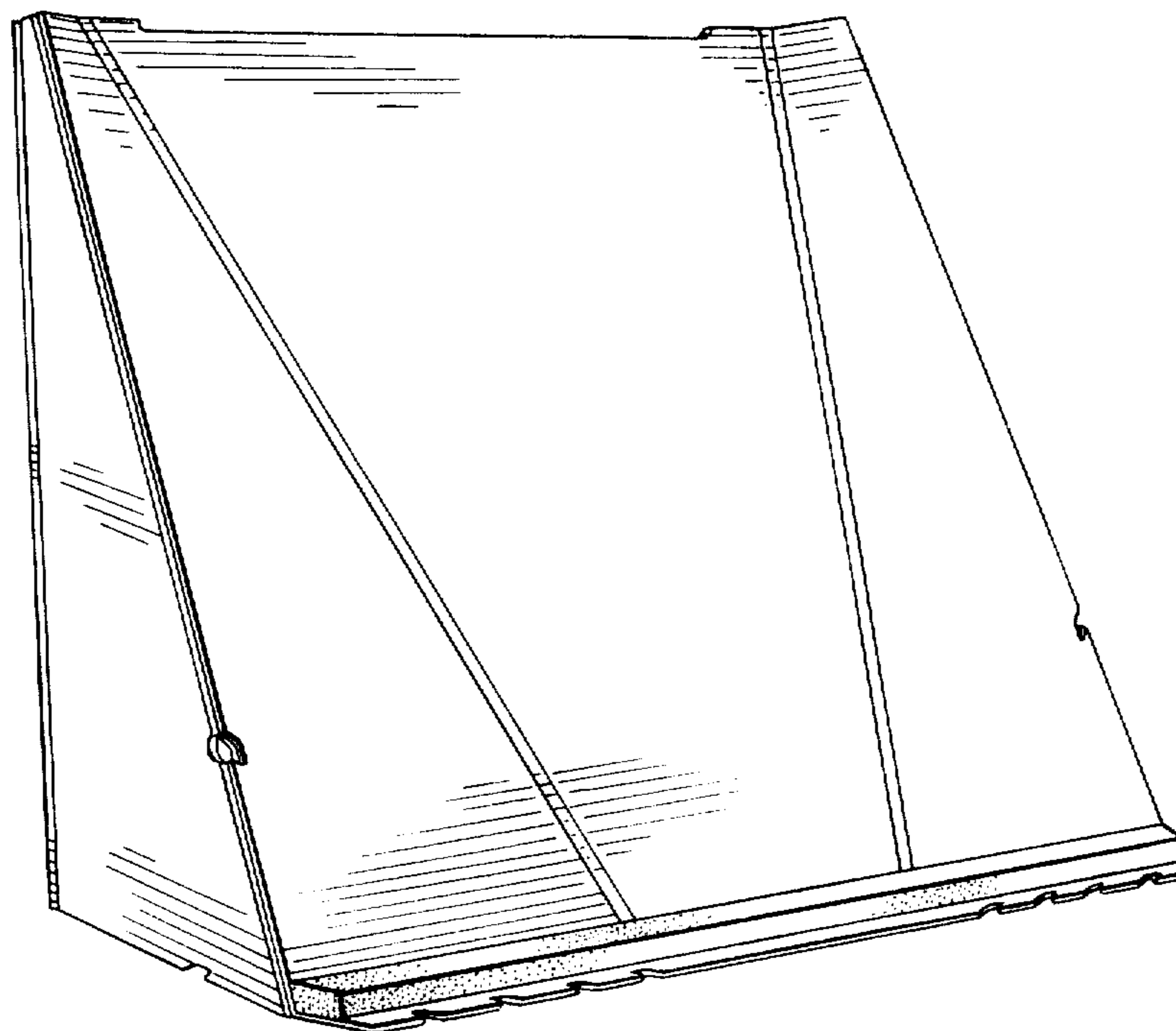
Primary Examiner—Joel Stearman
Assistant Examiner—Carmen H. Vales
Attorney, Agent, or Firm—Weldon F. Green

[57] CLAIM

The ornamental design for a collapsible article support or similar article, as shown and described.

DESCRIPTION

FIG. 1 is a front perspective view of a collapsible article support or similar article showing my new design; FIG. 2 is a top plan view thereof; FIG. 3 is a rear perspective view thereof; and FIG. 4 is a right side elevational view thereof, the left side elevational view being a mirror image thereof.



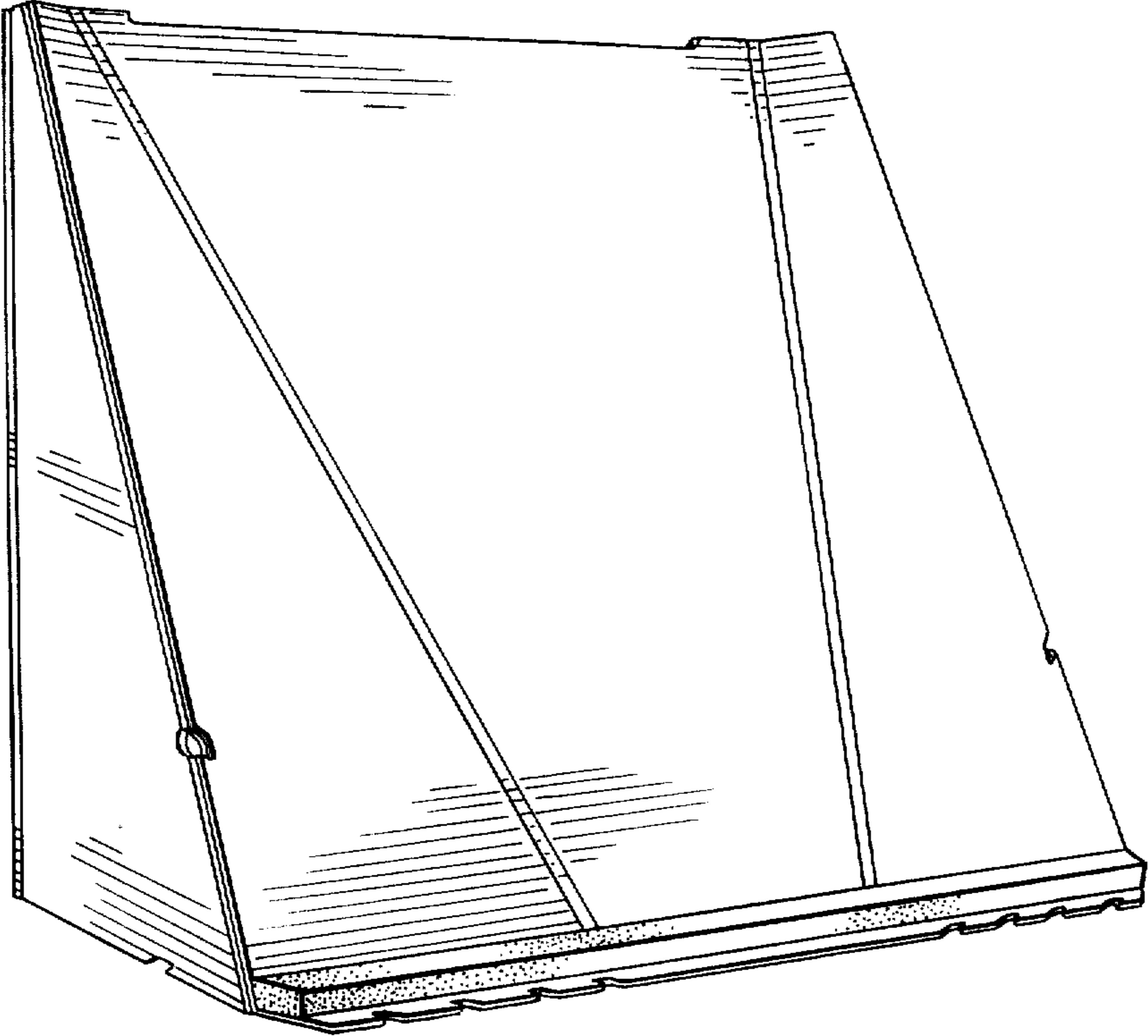


FIG. 1

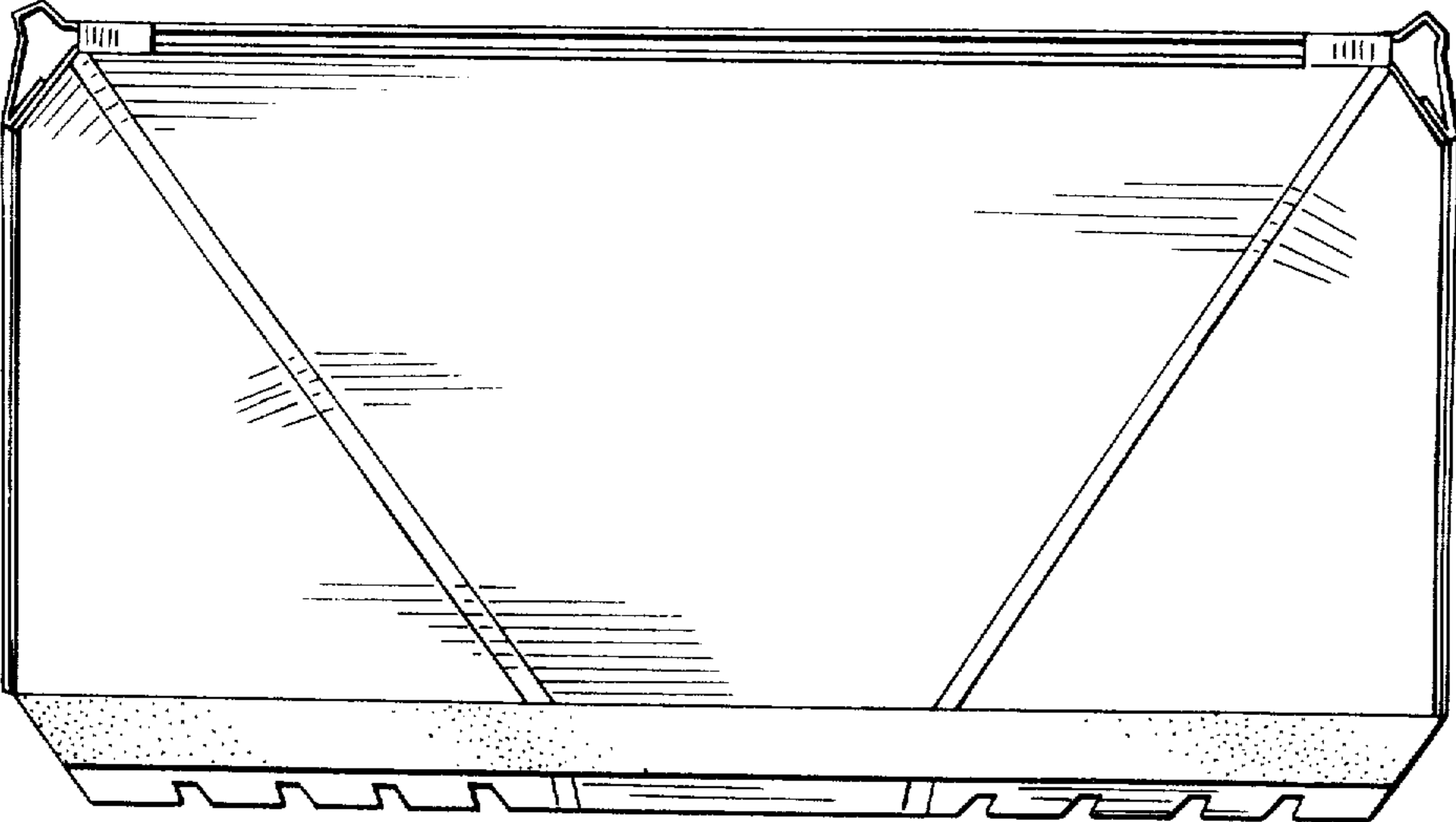


FIG. 2

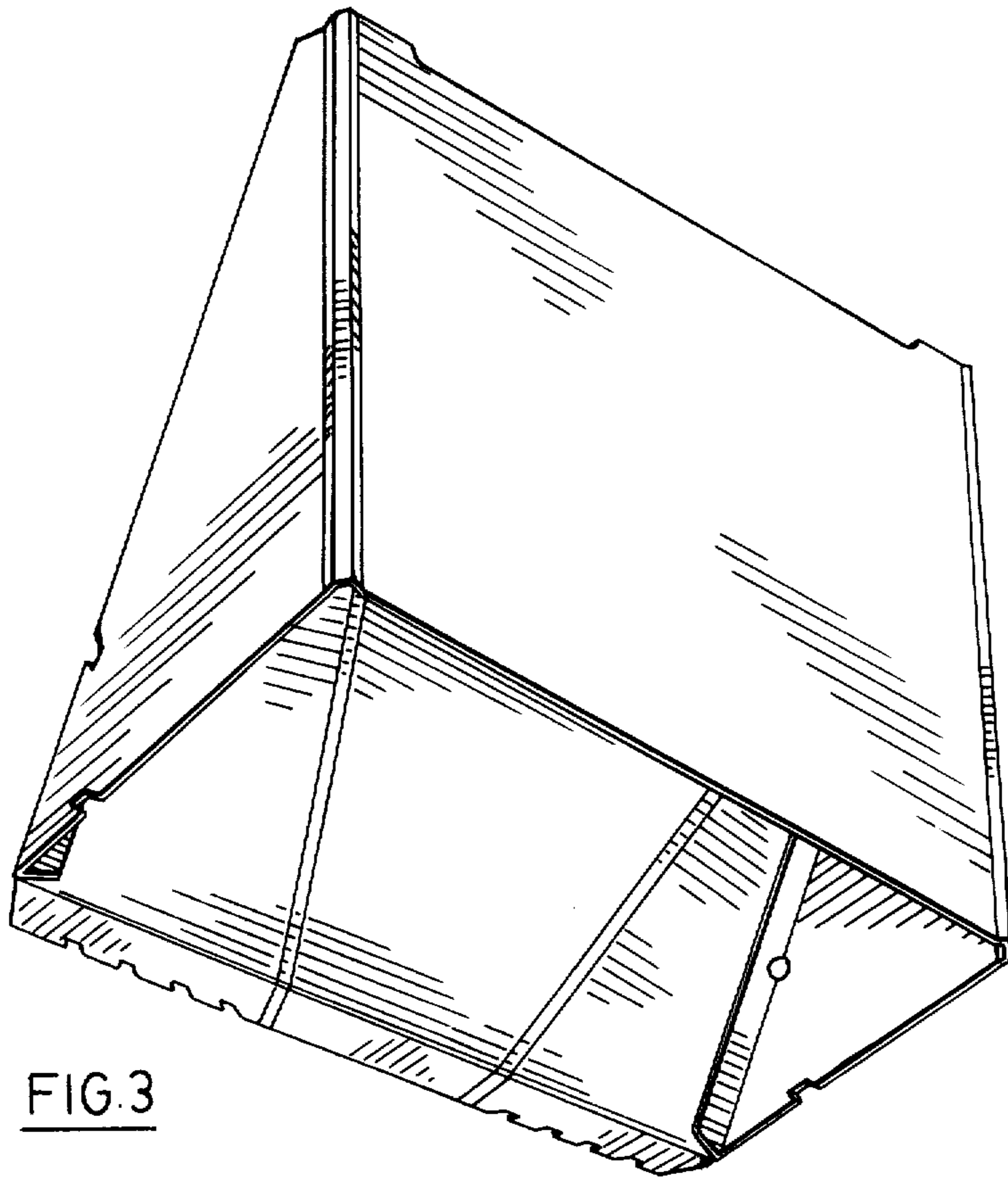


FIG. 3

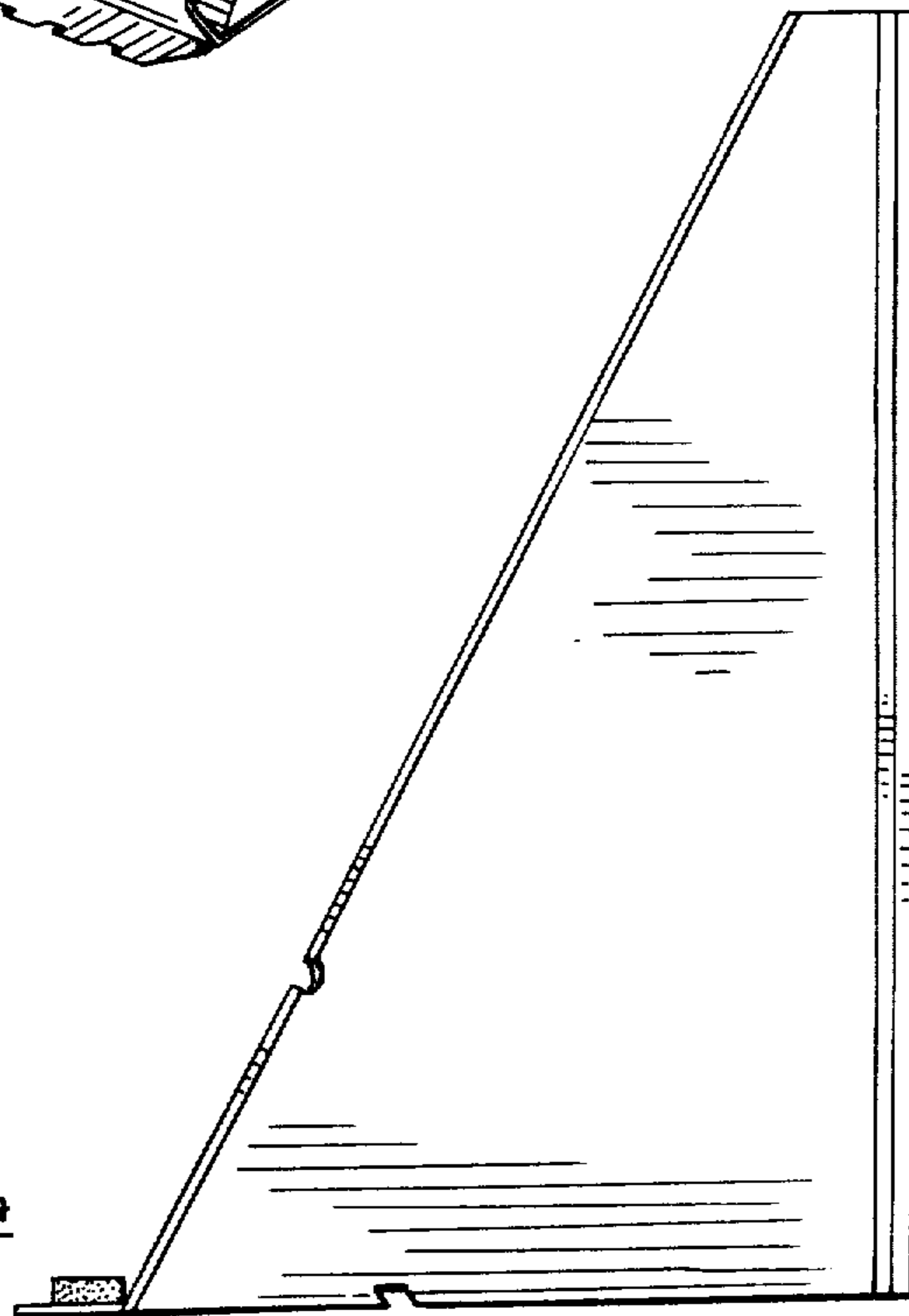


FIG. 4