

[54] BOOK STAND

[76] Inventor: Dorothy H. Kellogg, 1711 G St. #7, Sacramento, Calif. 95814

[**] Term: 14 Years

[21] Appl. No.: 51,437

[22] Filed: Jun. 25, 1979

[51] Int. Cl. D6-99

[52] U.S. Cl. D6/184

[58] Field of Search D6/184, 85, 106; D19/91; 248/441 R, 449, 453, 456, 460

[56] References Cited

U.S. PATENT DOCUMENTS

D. 46,314	8/1914	Levy	D6/184
D. 135,664	5/1943	Pollard	D6/184
D. 206,538	12/1966	Hollarnder	D6/184
2,691,238	10/1954	Svatos	D6/184 X

3,021,637	2/1962	Huffman	D6/184 X
3,193,240	7/1965	Browett	248/449
3,376,009	4/1968	Domino	248/456
3,833,197	9/1974	Dyke	248/441
3,897,037	7/1975	Johnson et al.	248/460
3,952,989	4/1976	Hatcher	248/453

Primary Examiner—Lester L. Lee
Attorney, Agent, or Firm—Blair, Brown & Kreten

[57] CLAIM

The ornamental design for a book stand, substantially as shown and described.

DESCRIPTION

FIG. 1 is a perspective view of a book stand showing my new design;
FIG. 2 is a side elevational view thereof;
FIG. 3 is a bottom plan view thereof;
FIG. 4 is a top plan view thereof; and
FIG. 5 is a modified form wherein the base is arcuate.

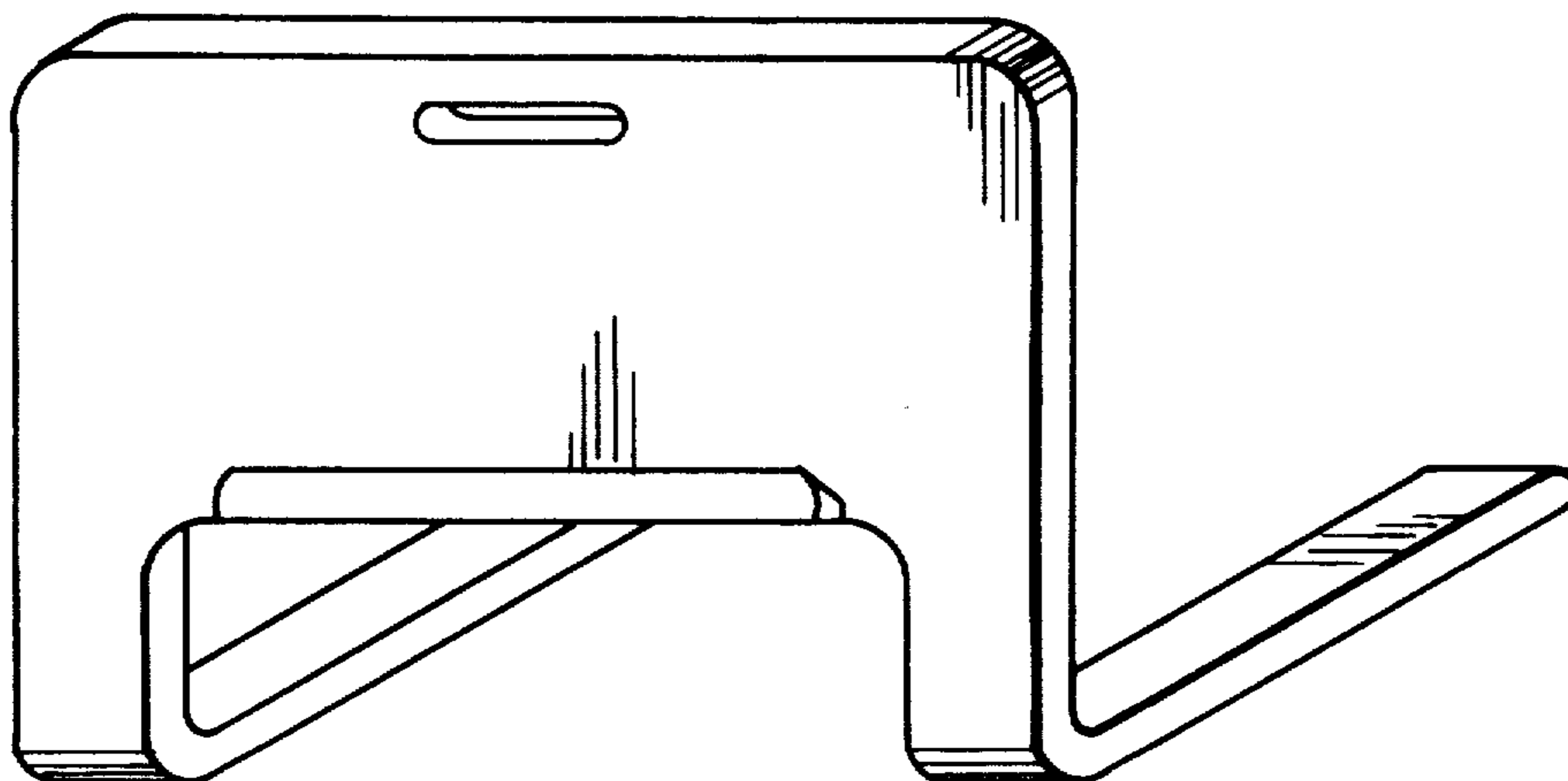


FIG. 1

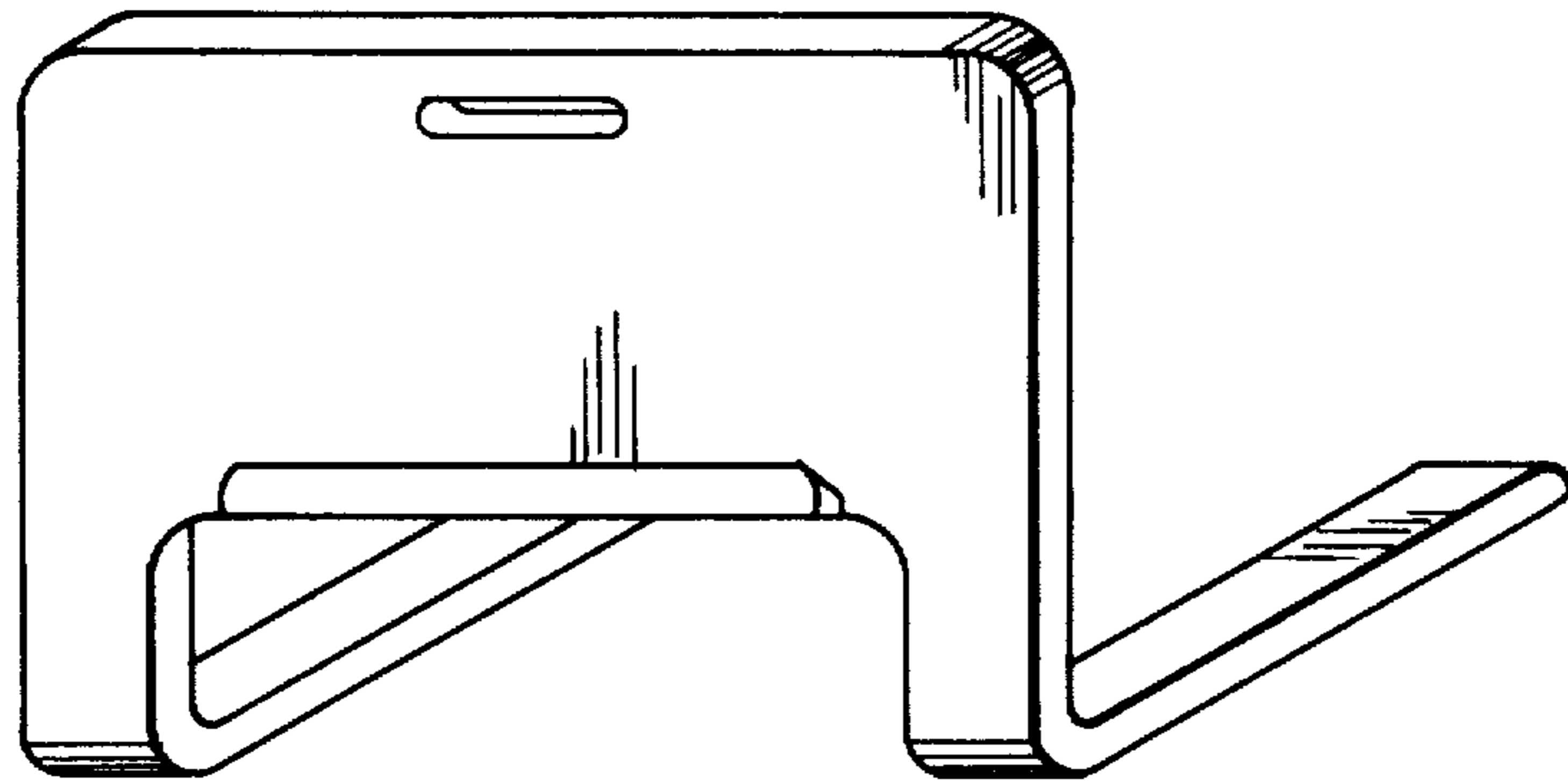


FIG. 2

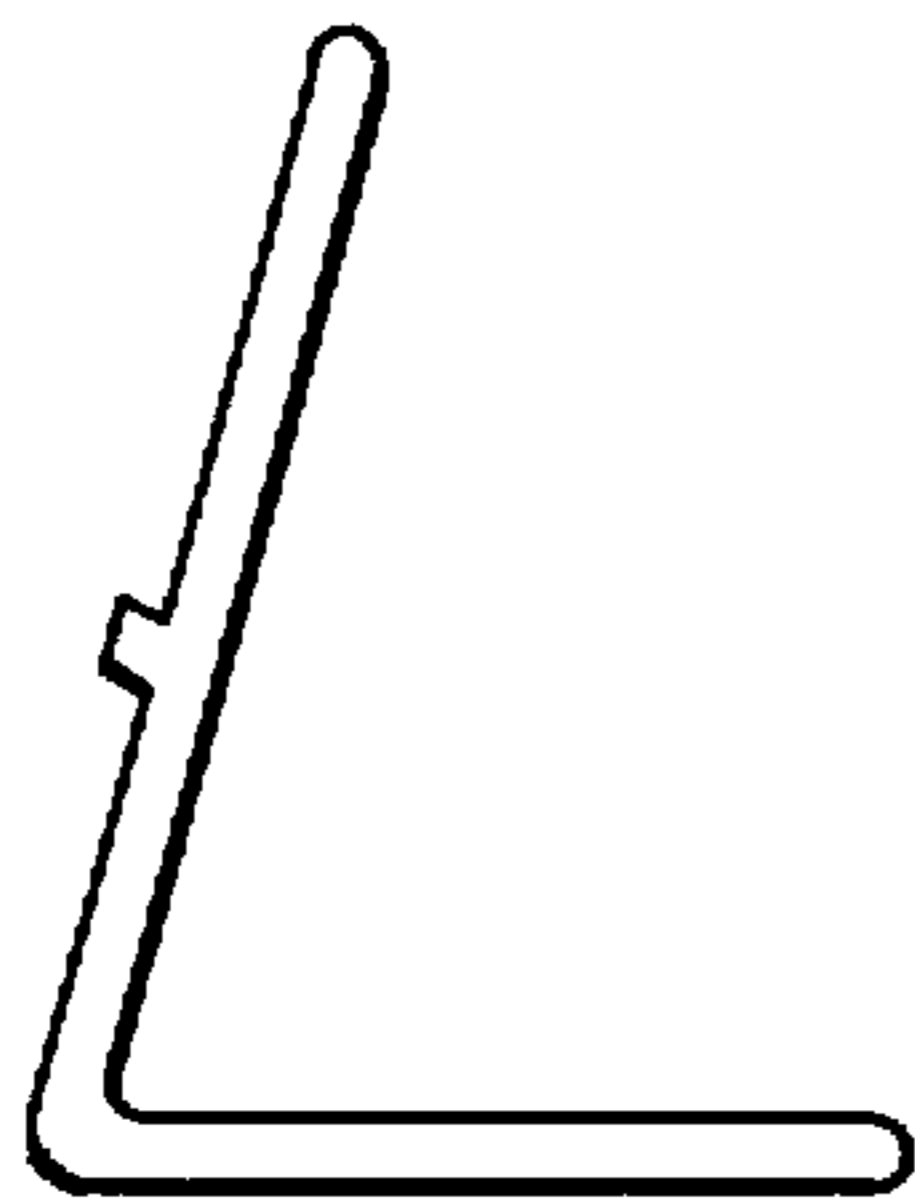


FIG. 5

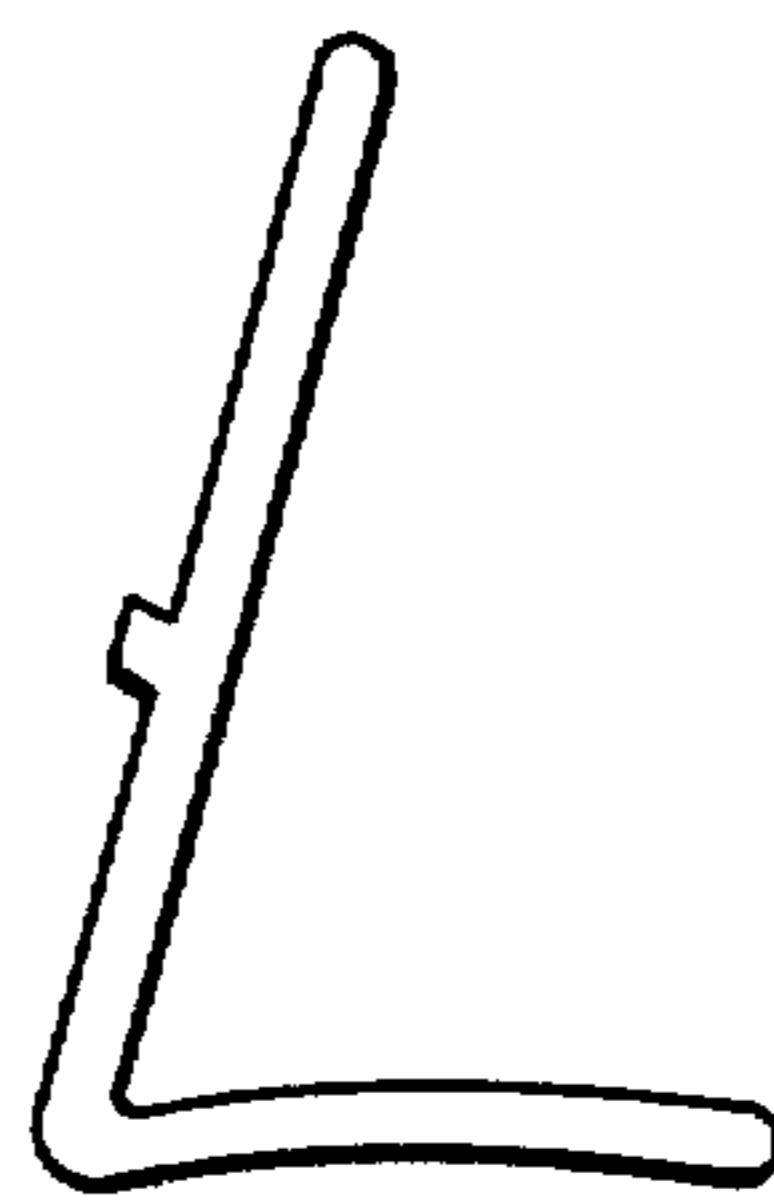


FIG. 4

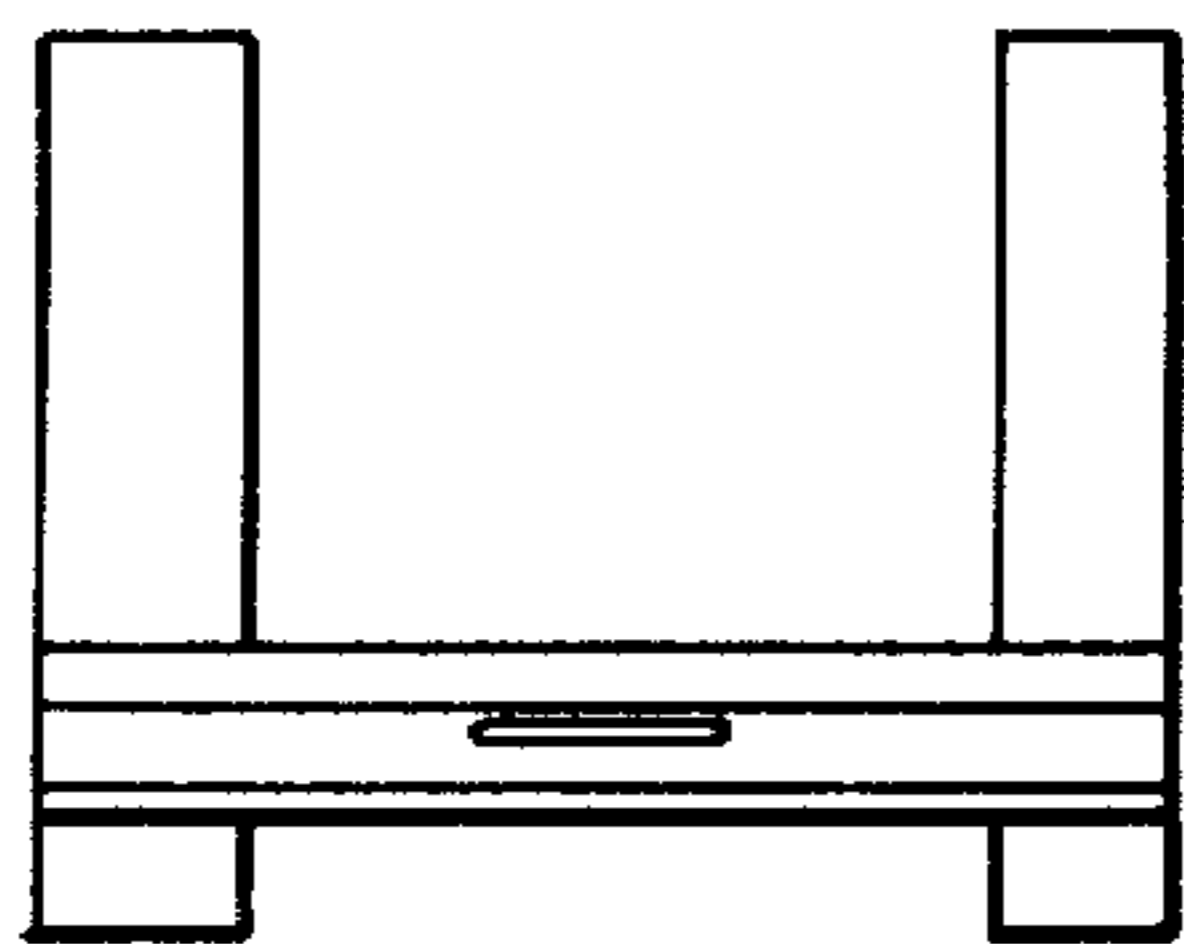


FIG. 3

