

[54] **PHOTOGRAPH CARRIER**
 [76] Inventor: **Philip B. Wayman**, 1057 California Ave., Salt Lake City, Utah 84104
 [**] Term: **14 Years**
 [21] Appl. No.: **31,234**
 [22] Filed: **Apr. 18, 1979**
 [51] Int. Cl. **D3-01**
 [52] U.S. Cl. **D3/60**
 [58] Field of Search **D3/56-60; 150/34-39, 28 R**

3,946,781 3/1976 Reis D3/60

Primary Examiner—George P. Word
Attorney, Agent, or Firm—H. Ross Workman; Rick D. Nydegger; Drew S. Hamilton

[57] **CLAIM**

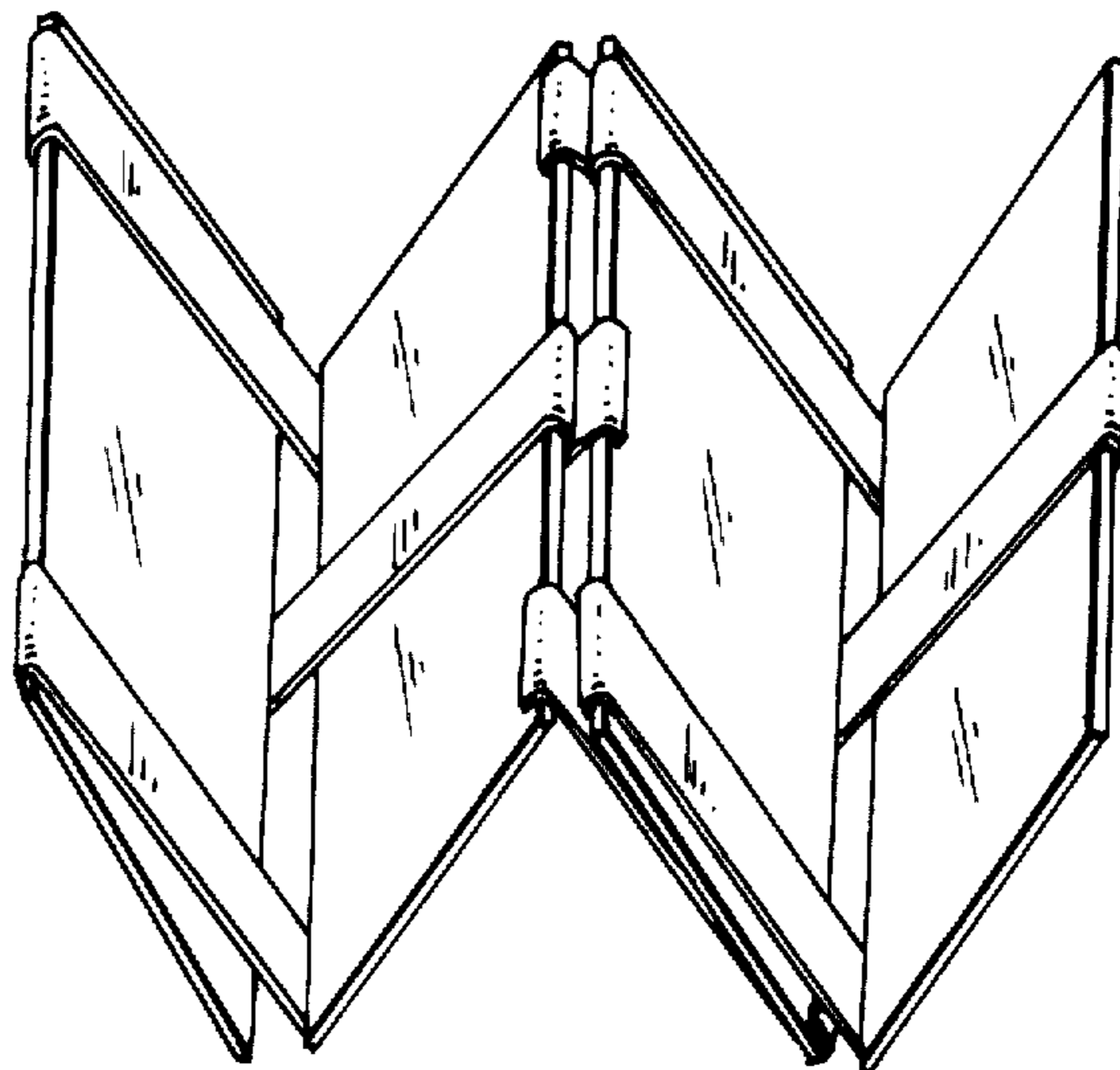
The ornamental design for a photograph carrier, as shown and described.

DESCRIPTION

FIG. 1 is a perspective view of a photograph carrier showing my new design in a partially folded condition; FIG. 2 is a reduced scale front elevational view thereof in the fully extended condition; FIG. 3 is a top plan view thereof; FIG. 4 is a left side elevational view thereof; FIG. 5 is a perspective view thereof; FIG. 6 is another perspective view thereof with the top segment partially folded; and FIG. 7 is a perspective view thereof with two segments in partially folded condition and two segments in fully folded condition.

[56] **References Cited**
U.S. PATENT DOCUMENTS

D. 137,656	4/1944	Koch	D3/60
D. 175,071	7/1955	Griffith	D3/56
D. 251,082	2/1979	Petrie	D3/60
1,326,602	12/1919	McKey	D3/56
1,580,346	4/1926	Sutter	D3/56
2,732,874	1/1956	Carstensen	D3/56



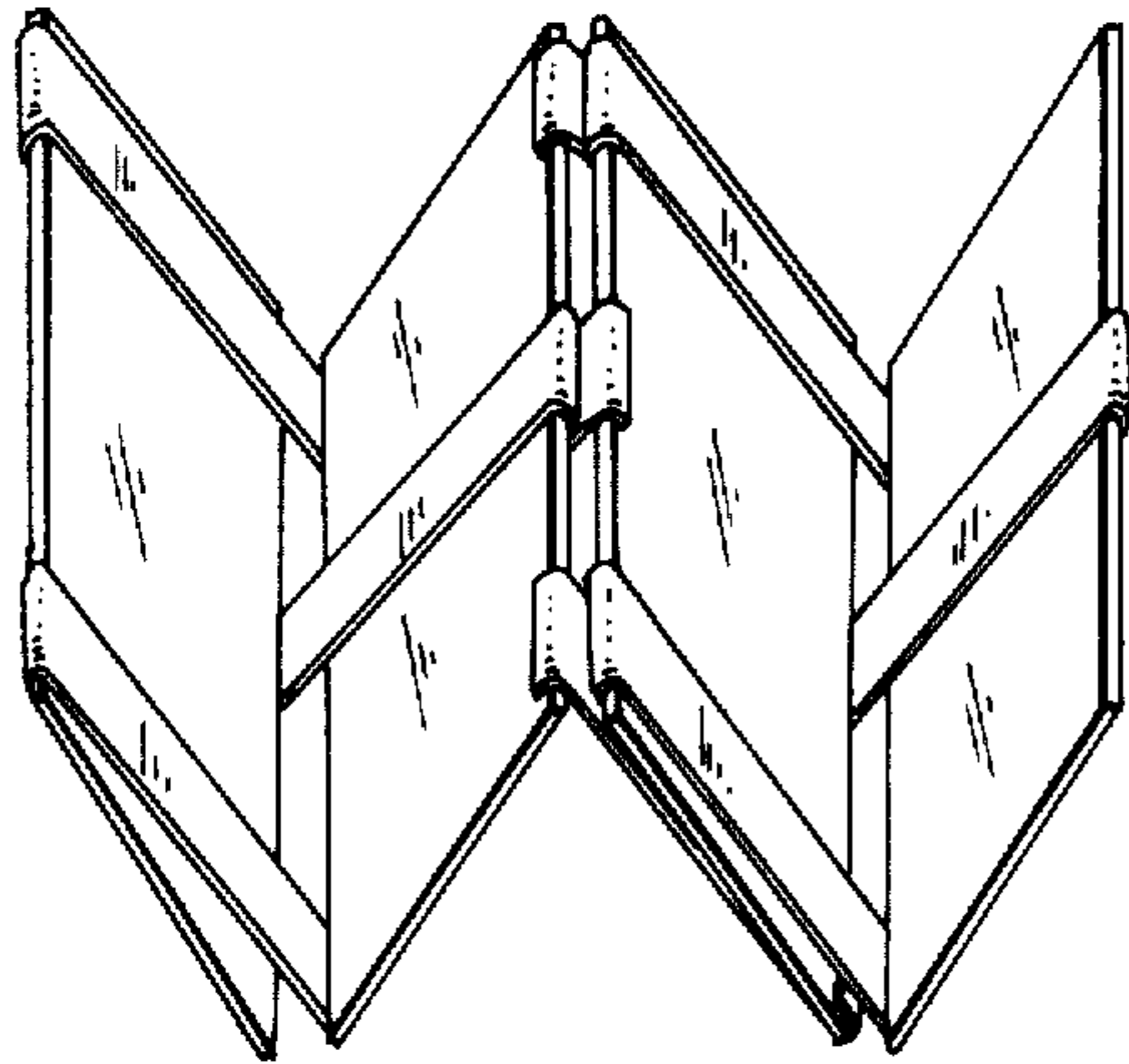


Fig. 1

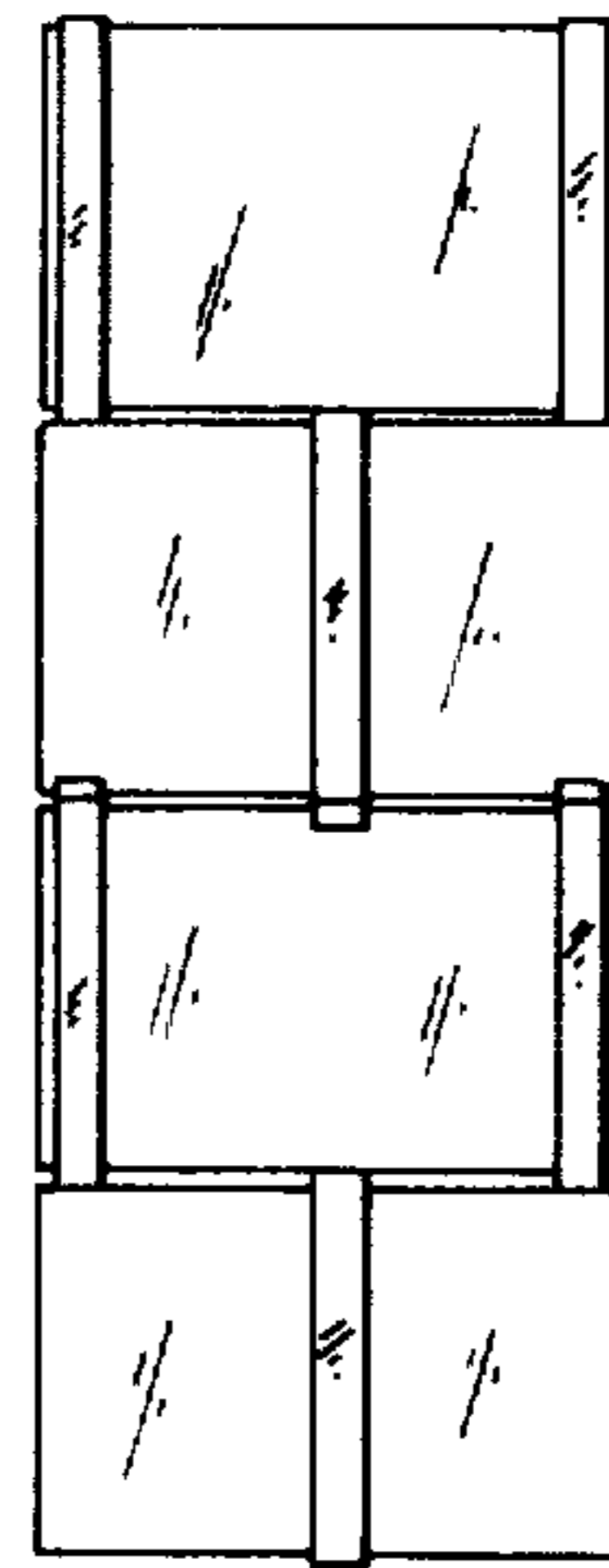


Fig. 2



Fig. 3



Fig. 4

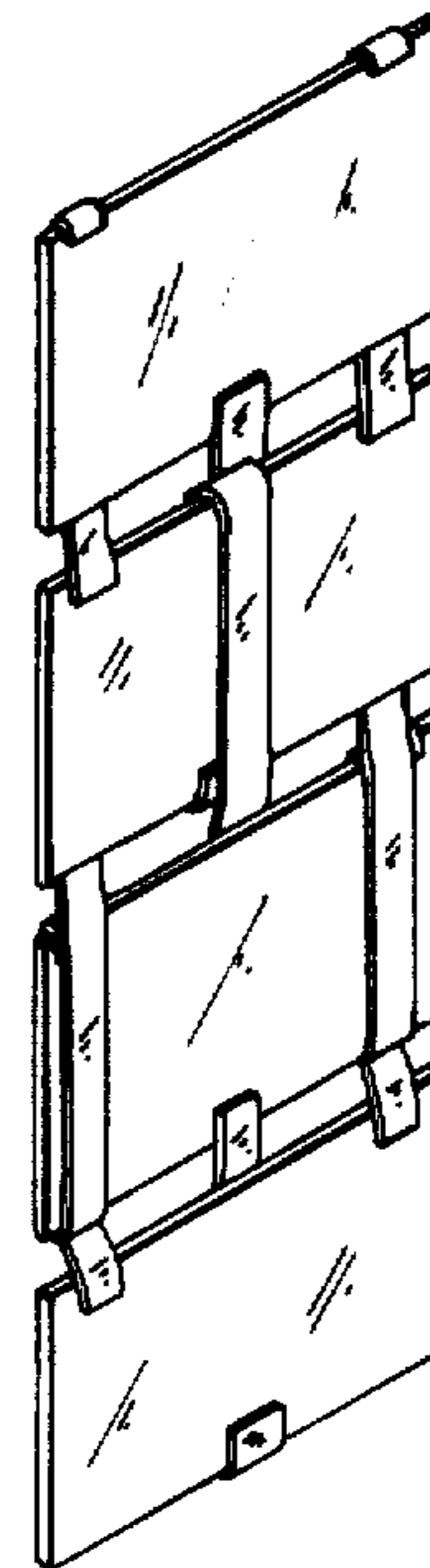


Fig. 5

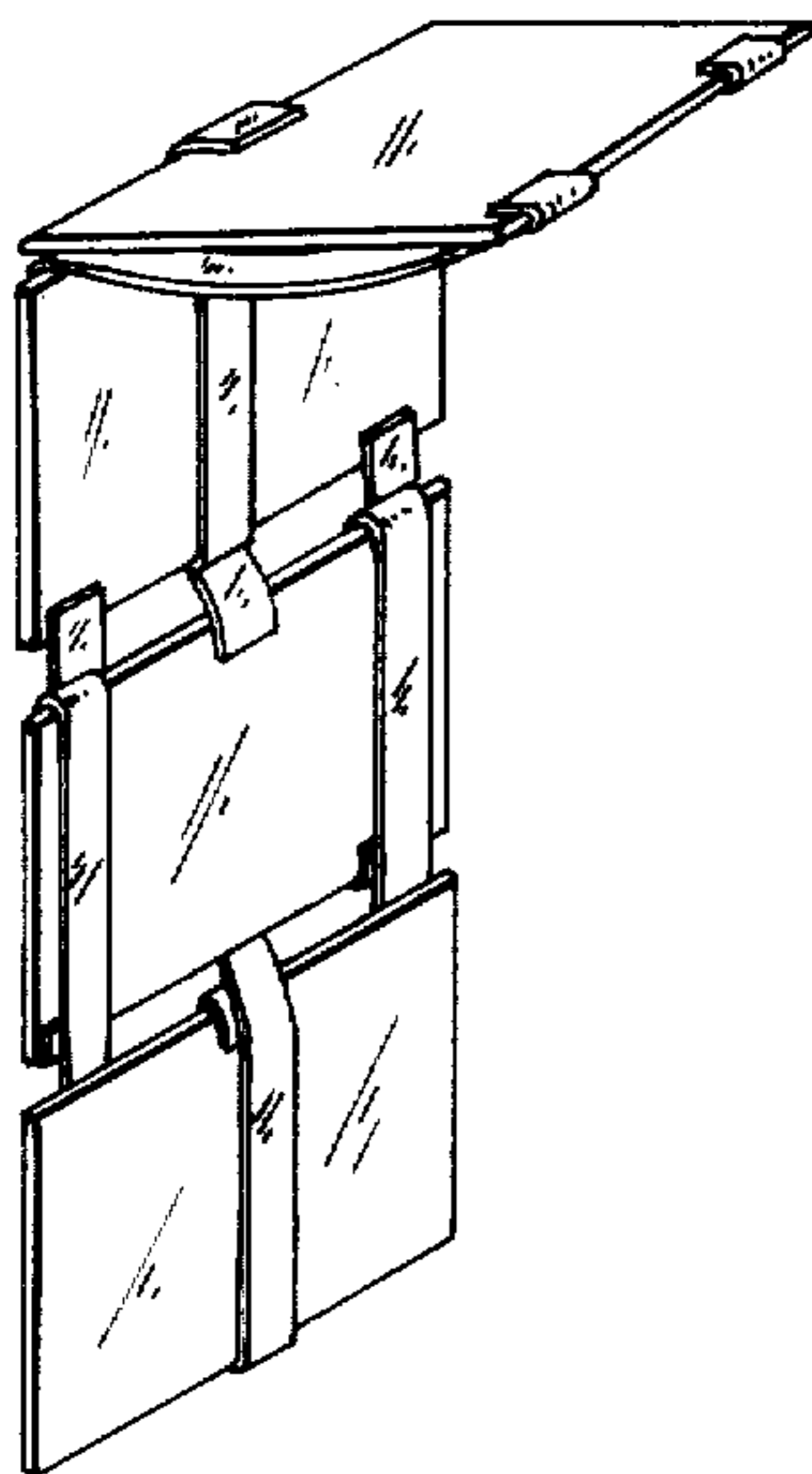


Fig. 6

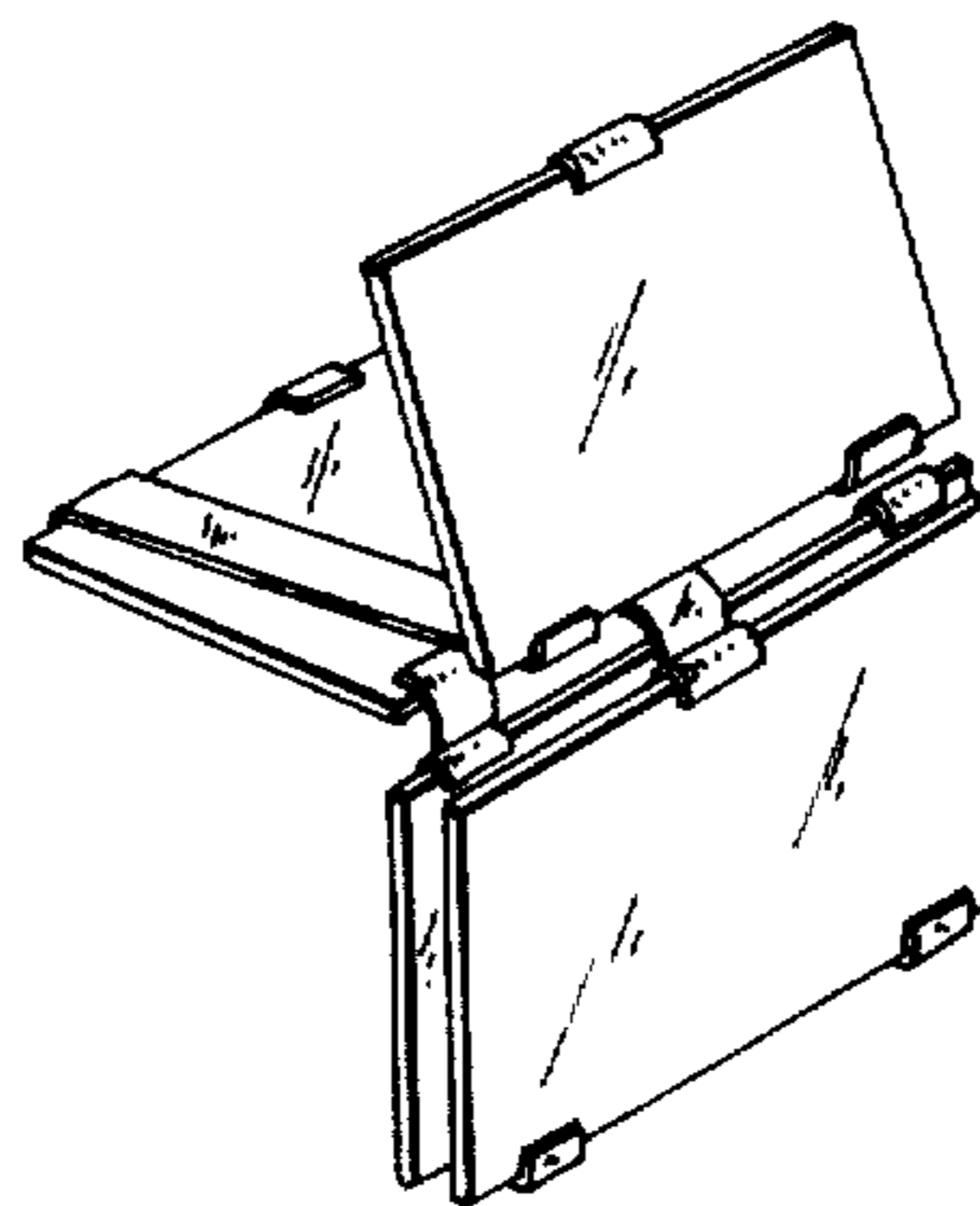


Fig. 7