

[54] **HEAD MOUNTED FAN**

[76] **Inventor:** Mark E. Fournier, 3808 E. Dahlia,
Phoenix, Ariz. 85032

[**] **Term:** 14 Years

[21] **Appl. No.:** 119,524

[22] **Filed:** Feb. 7, 1980

[51] **Int. Cl.** D2—03

[52] **U.S. Cl.** D2/253; D2/250;
D2/252

[58] **Field of Search** D2/230, 240, 241, 247,
D2/250, 256, 253, 260, 251, 252; 2/175, 177,
185 R, 190, 199, 209.3

[56]

References Cited

U.S. PATENT DOCUMENTS

D. 86,343	2/1932	Yourek	D2/252
D. 210,863	4/1968	Strongin	D2/251
D. 255,057	5/1980	Walker	D2/250
3,254,444	6/1966	Paterson	2/199 X

Primary Examiner—Lester L. Lee
Attorney, Agent, or Firm—Warren F. B. Lindsley

[57]

CLAIM

The ornamental design for the head mounted fan, as shown and described.

DESCRIPTION

FIG. 1 is a perspective view of the head mounted fan showing my new design;
FIG. 2 is another perspective view thereof;
FIG. 3 is a top view thereof;
FIG. 4 is a partial front elevational view thereof; and
FIG. 5 is a partial side elevational view thereof.

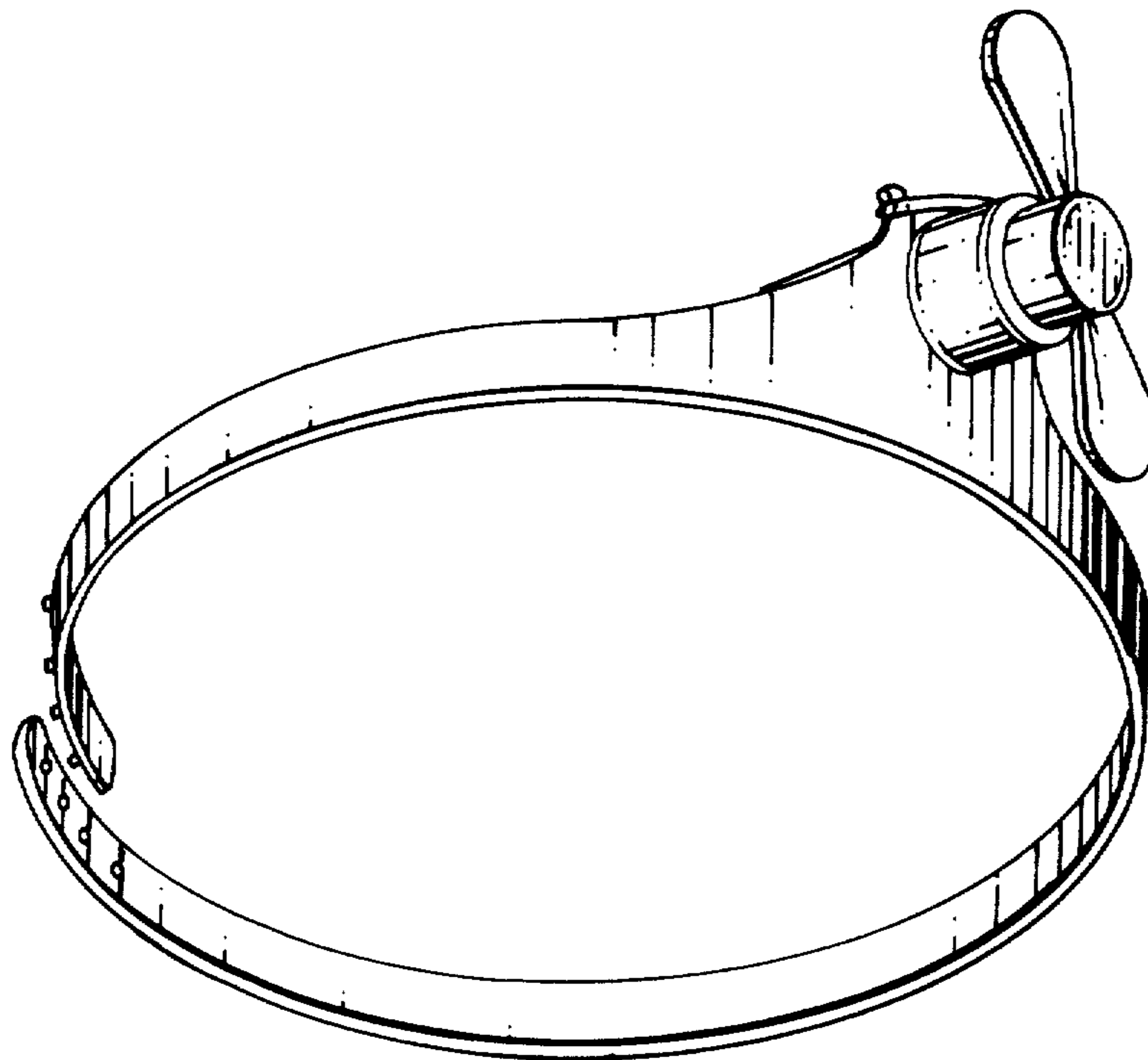


FIG. 1

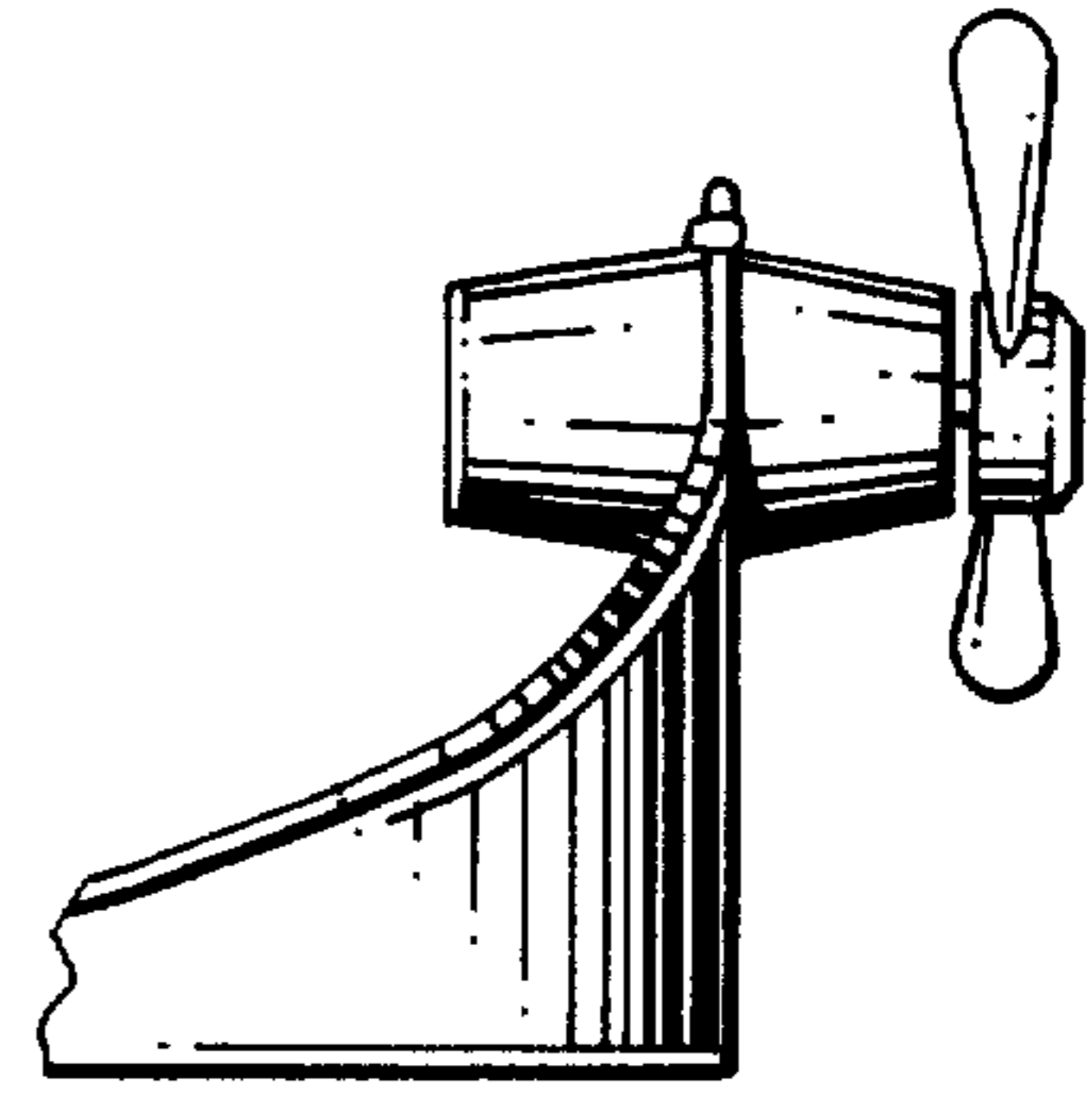
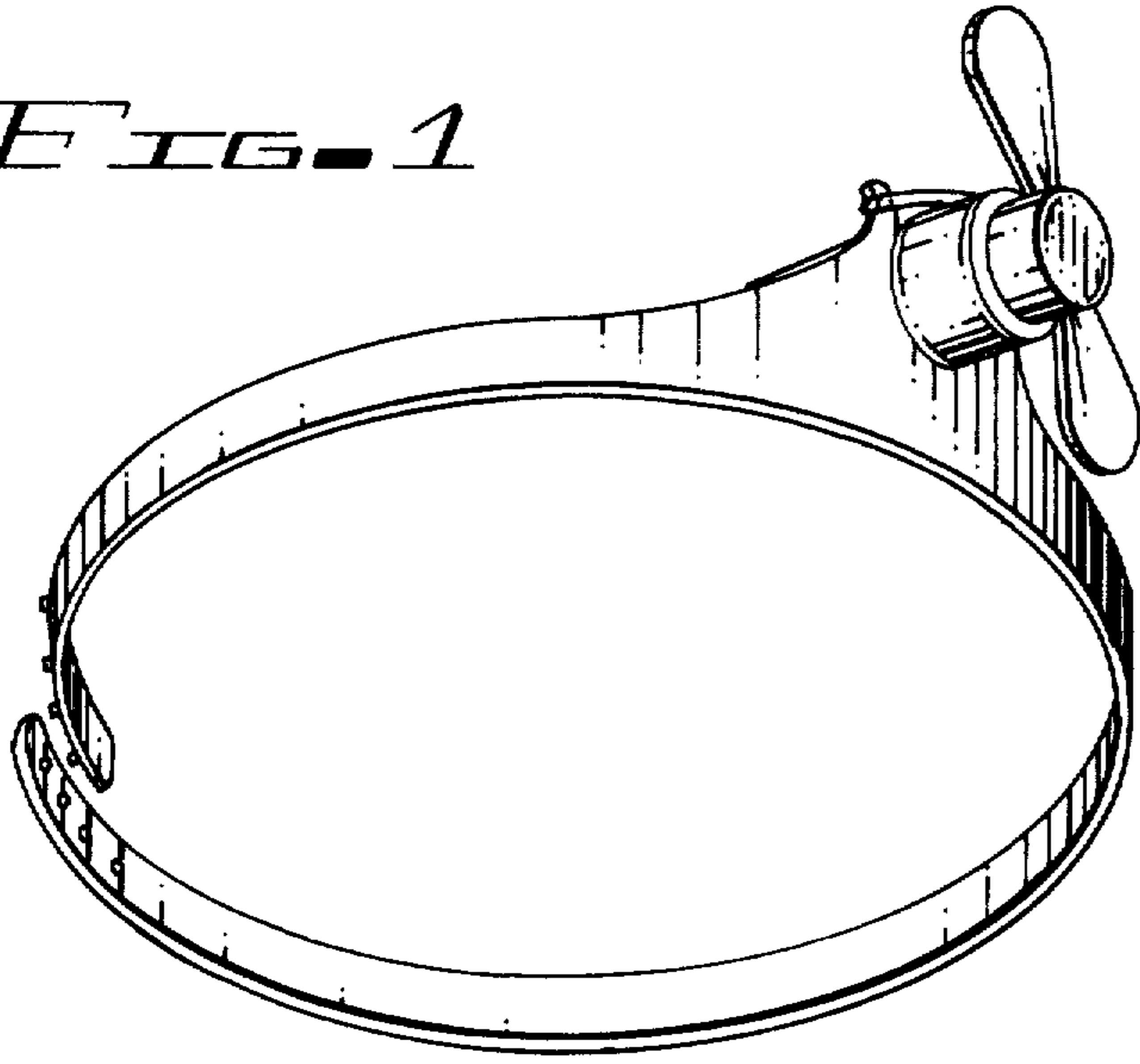


FIG. 5

FIG. 2

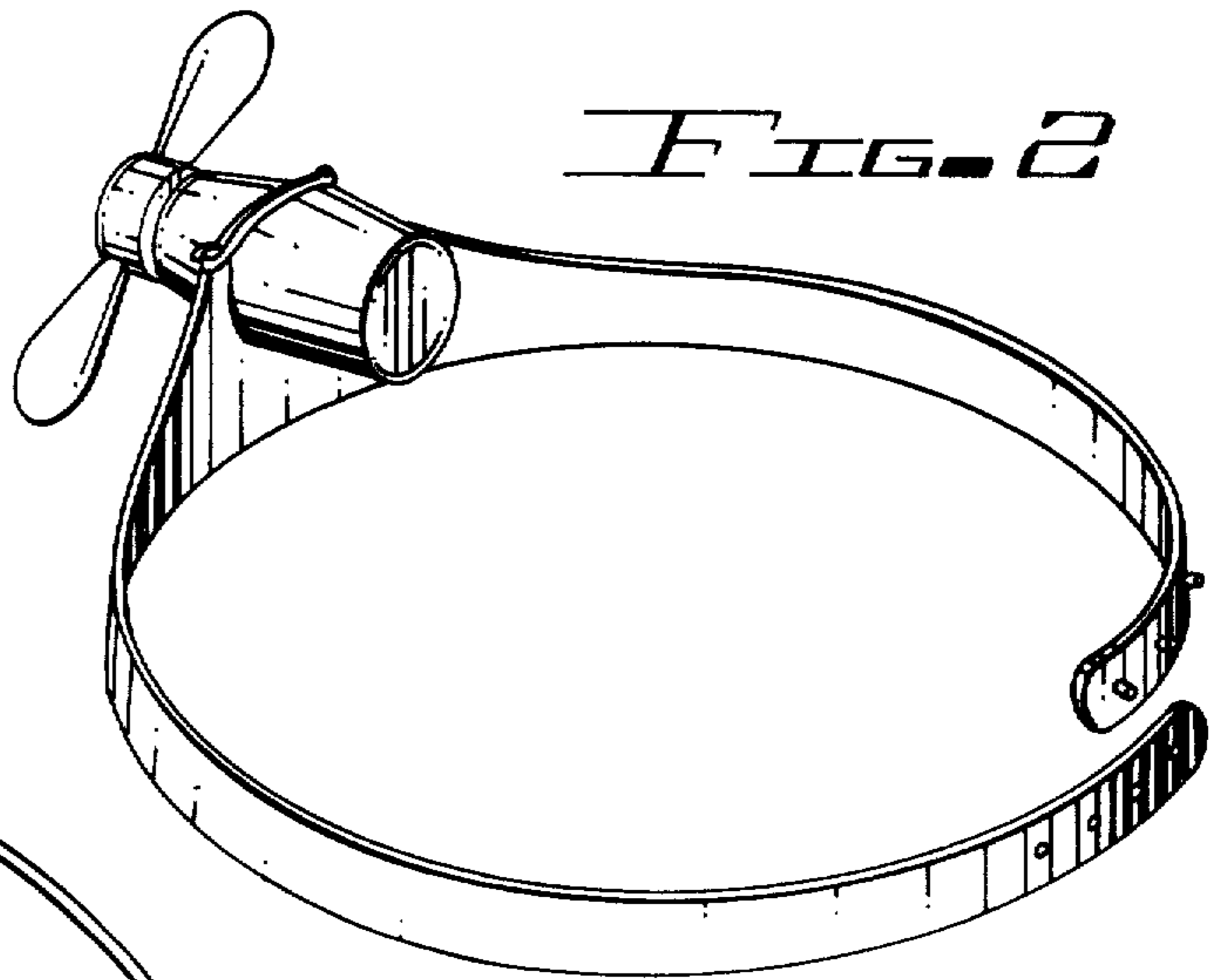


FIG. 3

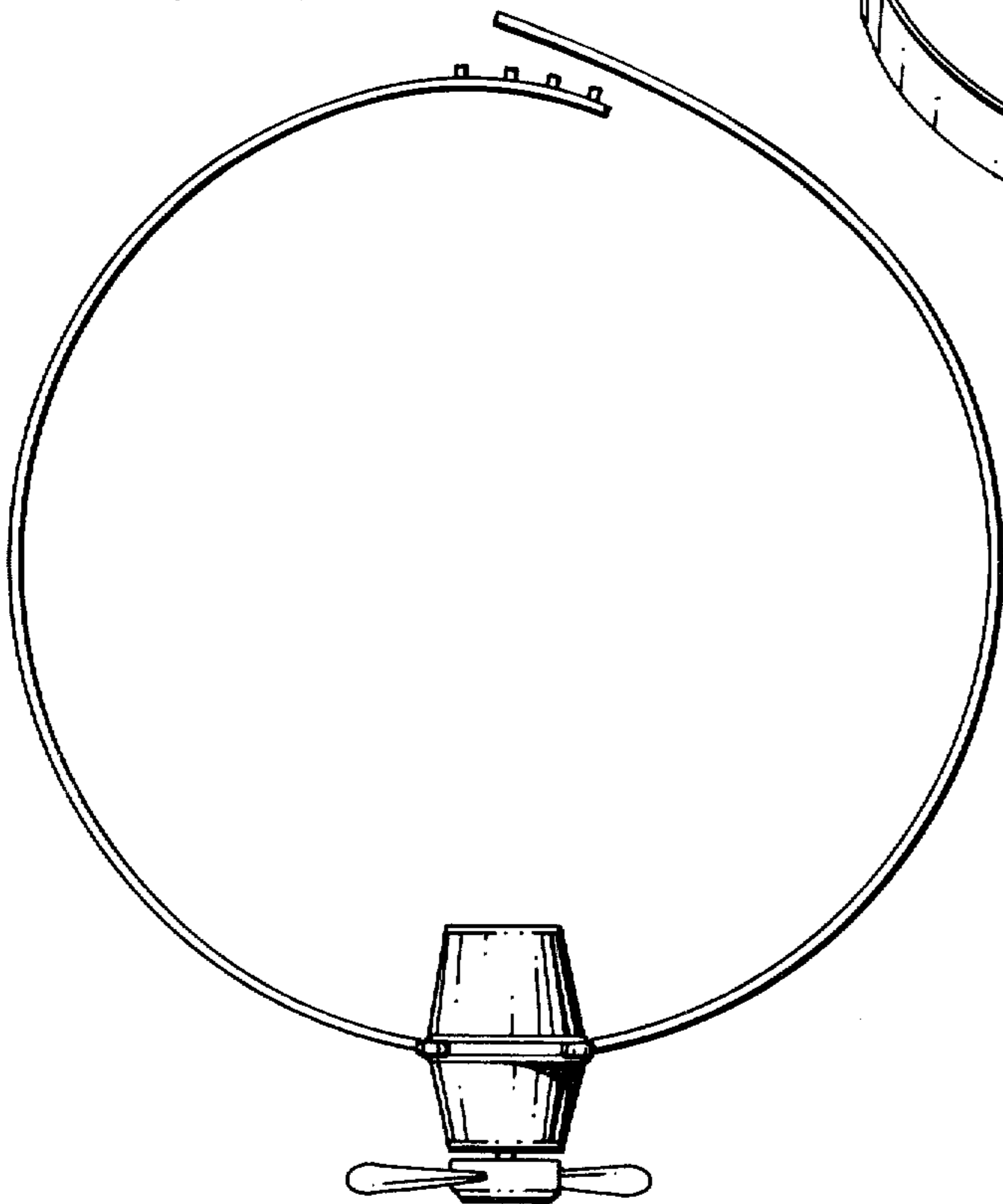


FIG. 4

