

[54] VACUUM CLEANER HOSE ADAPTER

3,928,715 12/1975 Holden 339/15 X

[75] Inventor: Joseph Genoa, Freeport, N.Y.

Primary Examiner—James R. Largen
Attorney, Agent, or Firm—Frishauf, Holtz, Goodman & Woodward

[73] Assignee: Atlantic Vacuum Parts Corp., Long Beach, N.Y.

[**] Term: 14 Years

[21] Appl. No.: 161,585

[22] Filed: Jun. 20, 1980

[51] Int. Cl. D15—05

[52] U.S. Cl. D32/31

[58] Field of Search D32/25, 31-34;
15/377; 285/7; 339/15, 16 R

[56] References Cited

U.S. PATENT DOCUMENTS

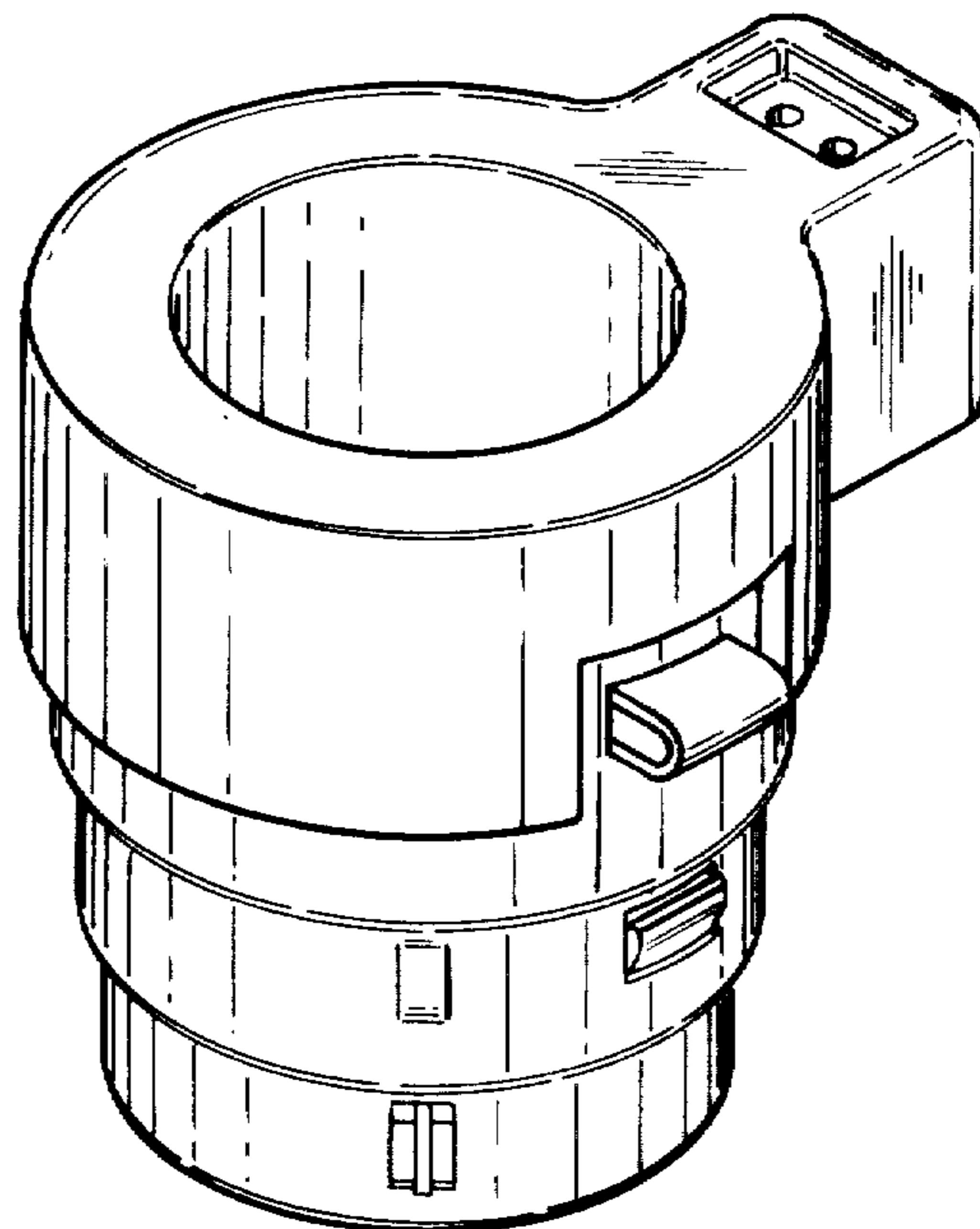
D. 141,801	7/1945	Coss	D32/31
D. 185,697	7/1959	Descarries	D32/31
D. 209,573	12/1967	Leinfelt	D32/31
2,899,216	8/1959	Brock	285/7
2,951,714	9/1960	Carlberg	285/7
3,034,085	5/1962	Pauler et al.	339/16 R
3,110,922	11/1963	Senne	15/327 R
3,553,629	1/1971	Brown et al.	339/15

[57] CLAIM

The ornamental design for a vacuum cleaner hose adapter, as shown and described.

DESCRIPTION

FIG. 1 is a perspective view of a vacuum cleaner hose adapter showing my new design;
 FIG. 2 is a top plan view thereof;
 FIG. 3 is a right side view thereof;
 FIG. 4 is a left side view thereof;
 FIG. 5 is a bottom view thereof;
 FIG. 6 is a front view thereof;
 FIG. 7 is a rear view thereof;
 FIG. 8 is a perspective view of a modified form of the vacuum cleaner hose adapter shown in FIG. 1;
 FIG. 9 is a top plan view of FIG. 8;
 FIG. 10 is a right side view of FIG. 8;
 FIG. 11 is a left side view of FIG. 8;
 FIG. 12 is a bottom view of FIG. 8;
 FIG. 13 is a front view of FIG. 8; and
 FIG. 14 is a rear view of FIG. 8.



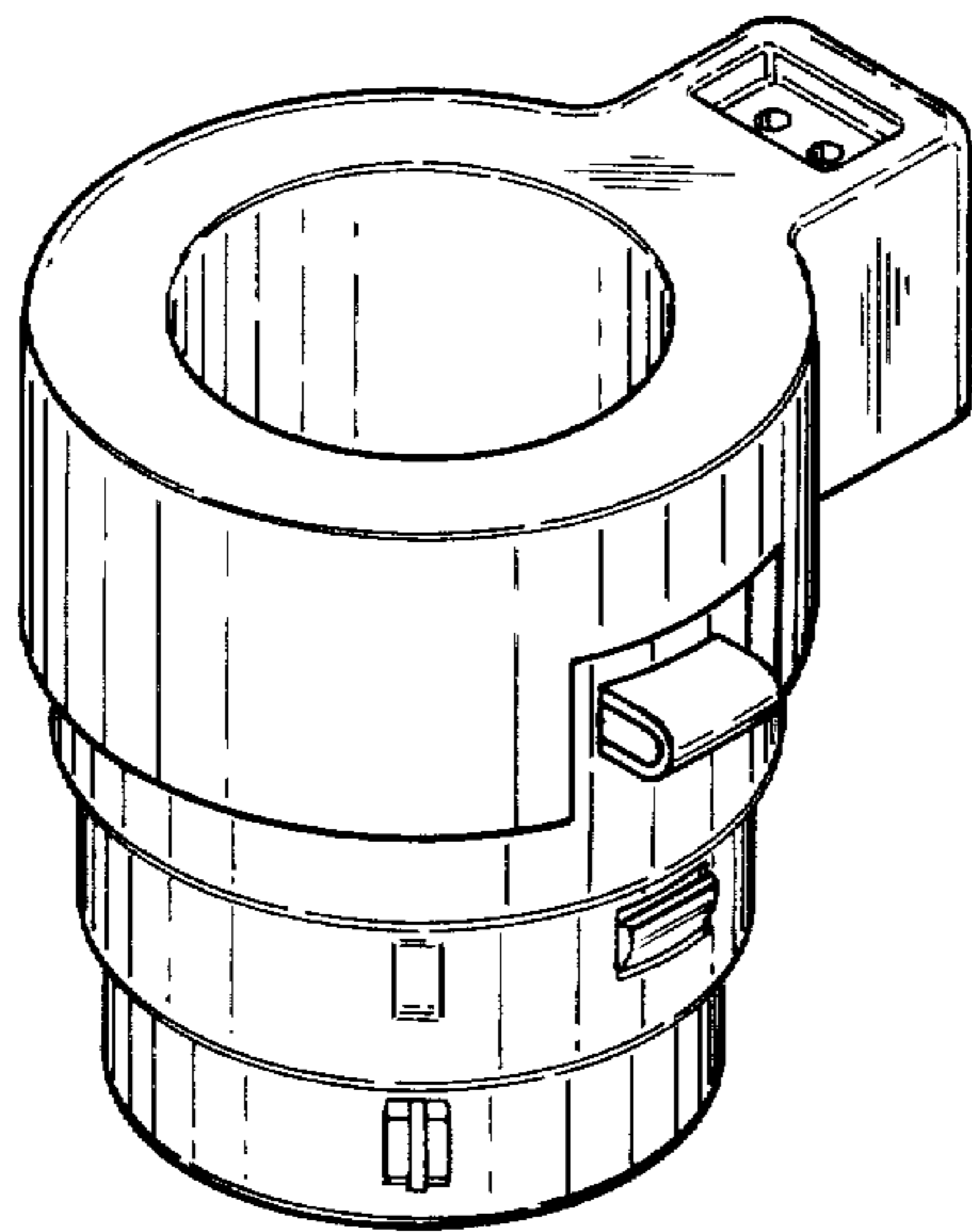


FIG. 1

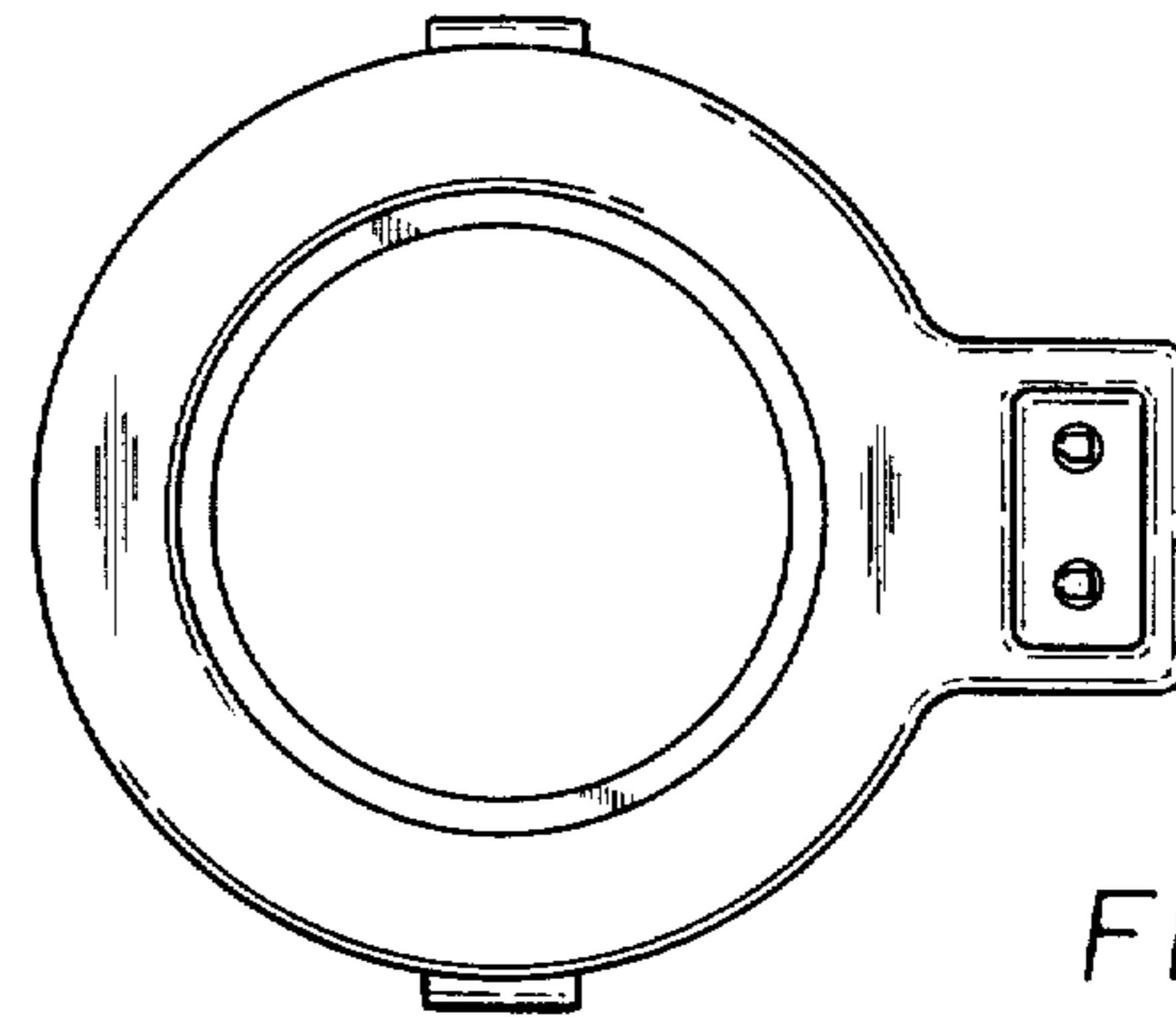


FIG. 2

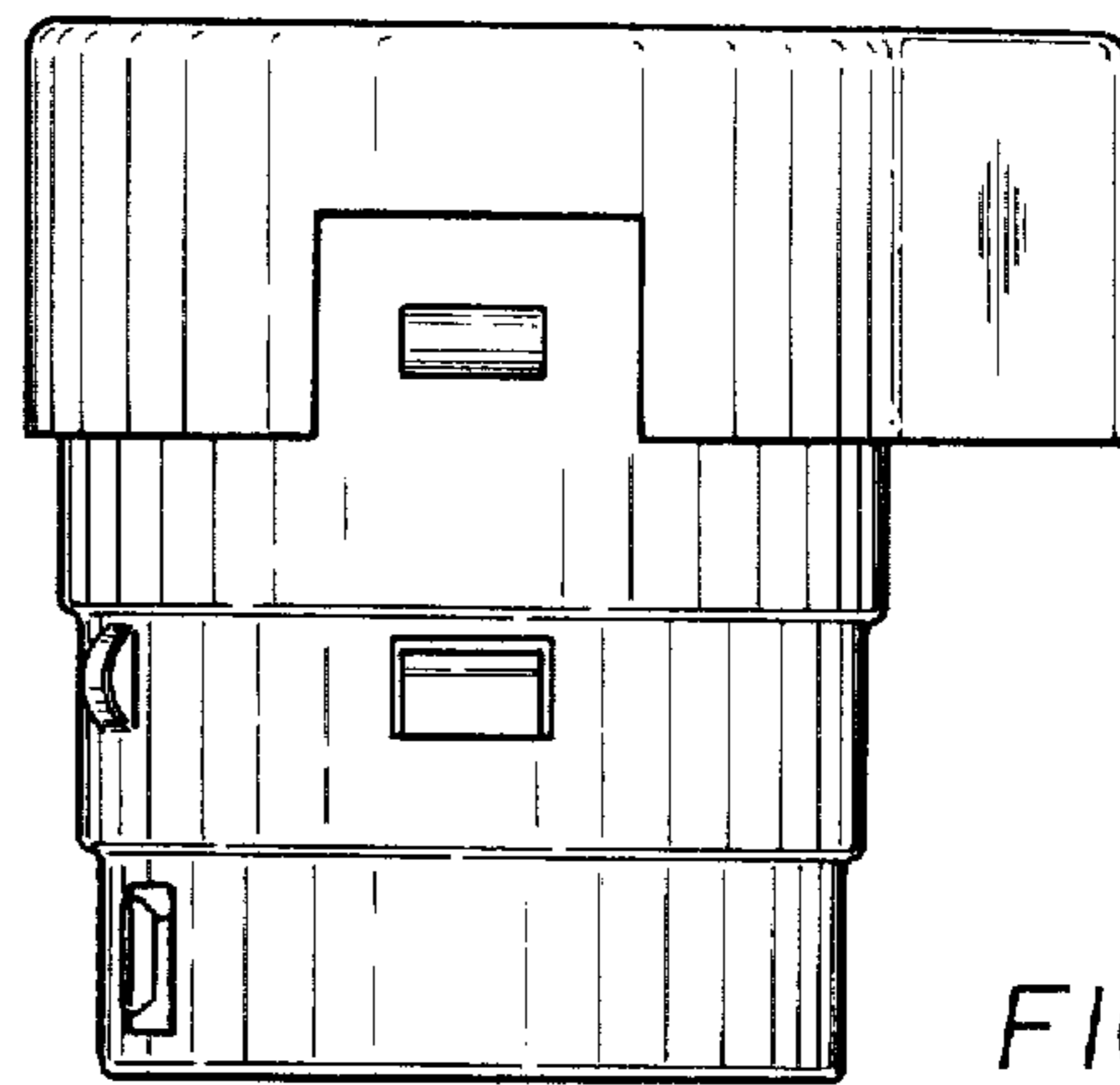


FIG. 3

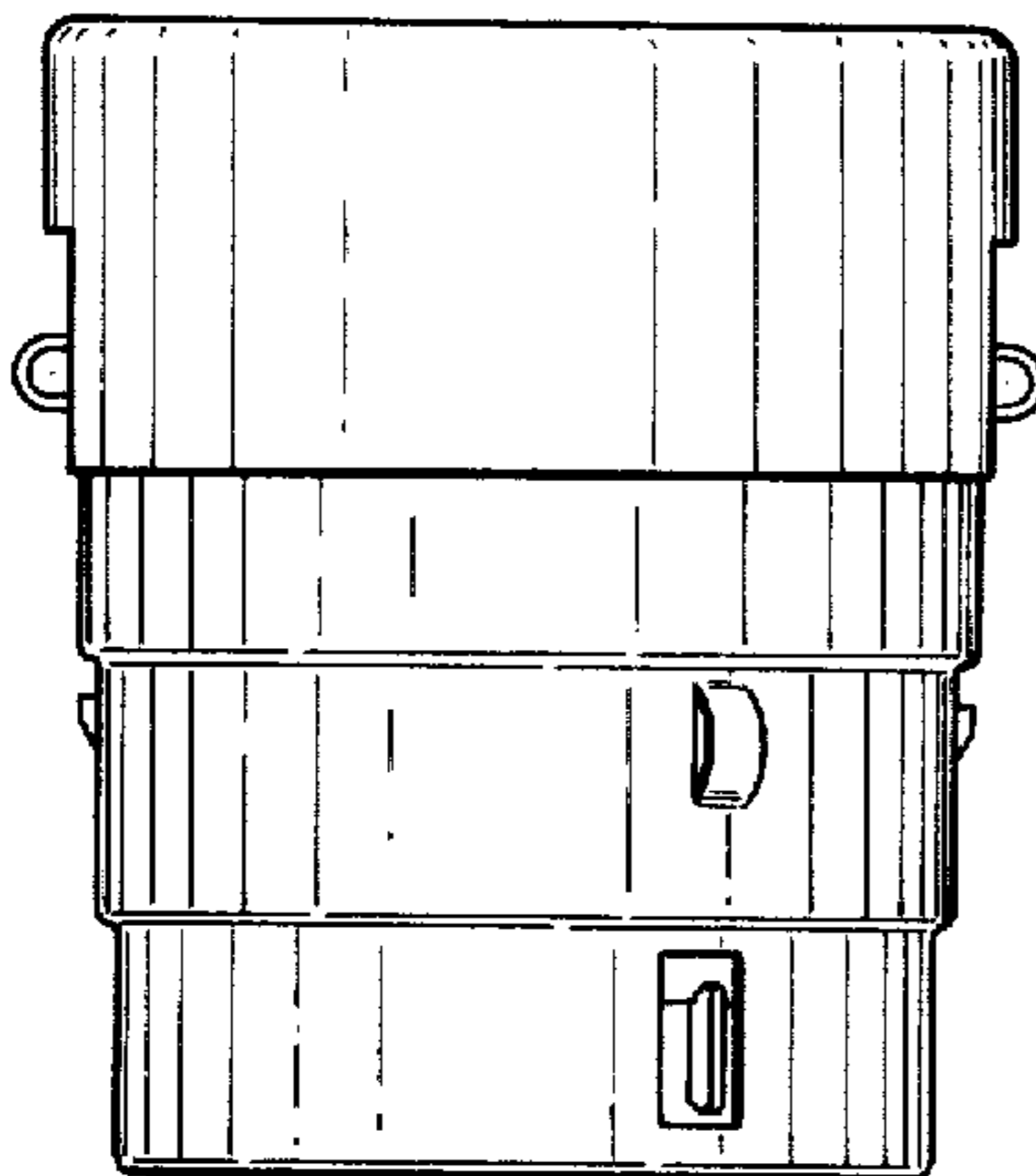


FIG. 6

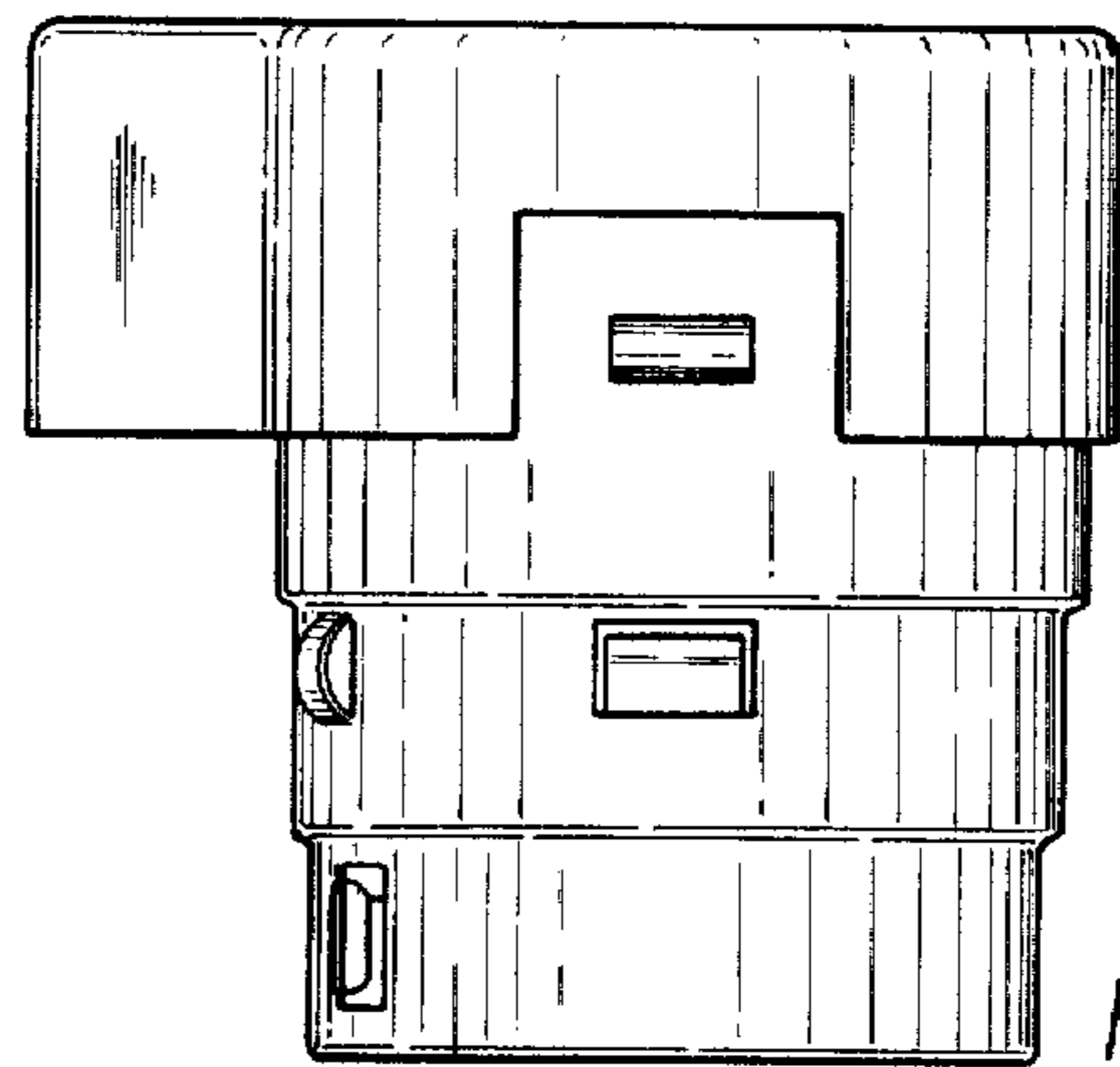


FIG. 4

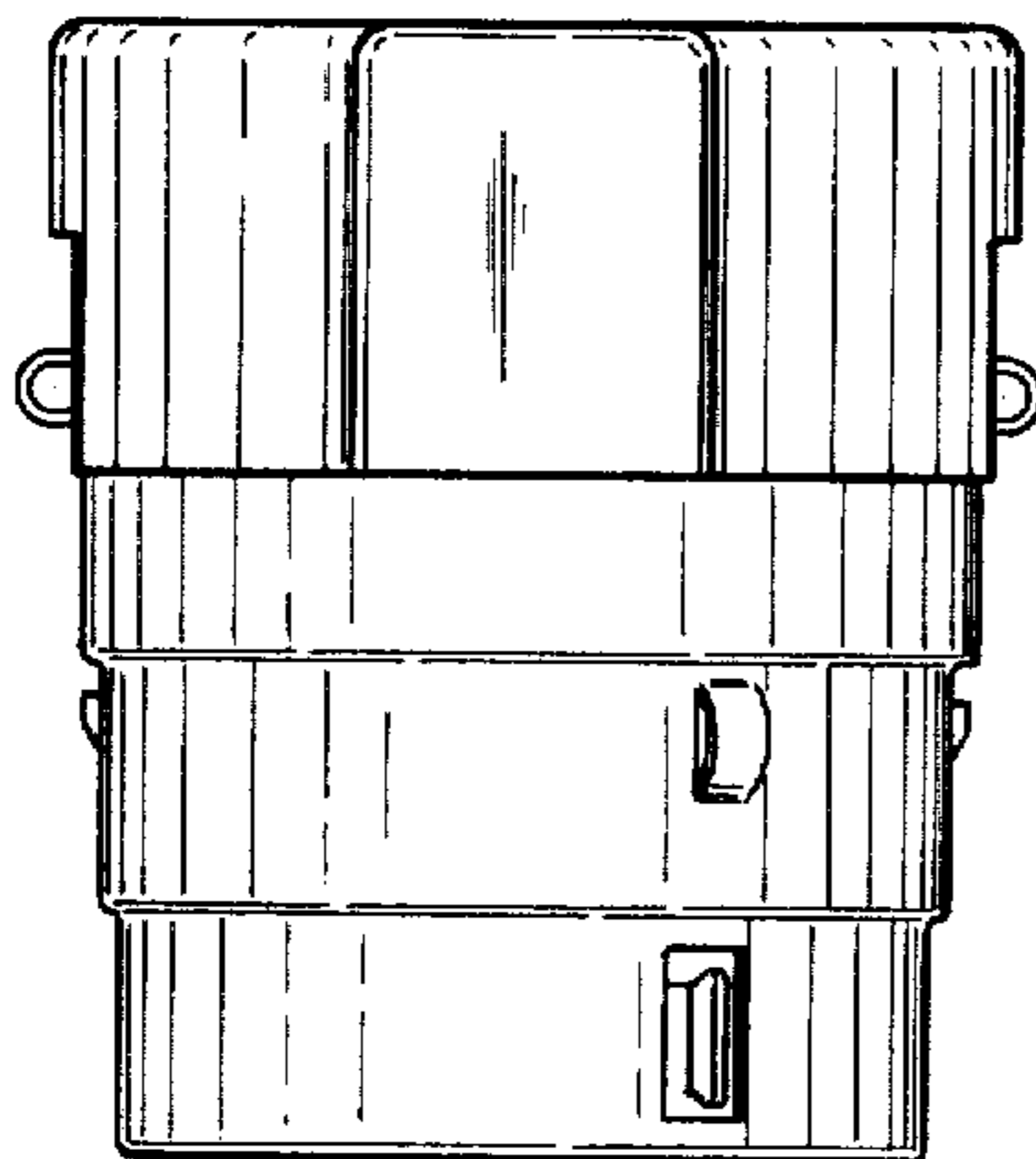


FIG. 7

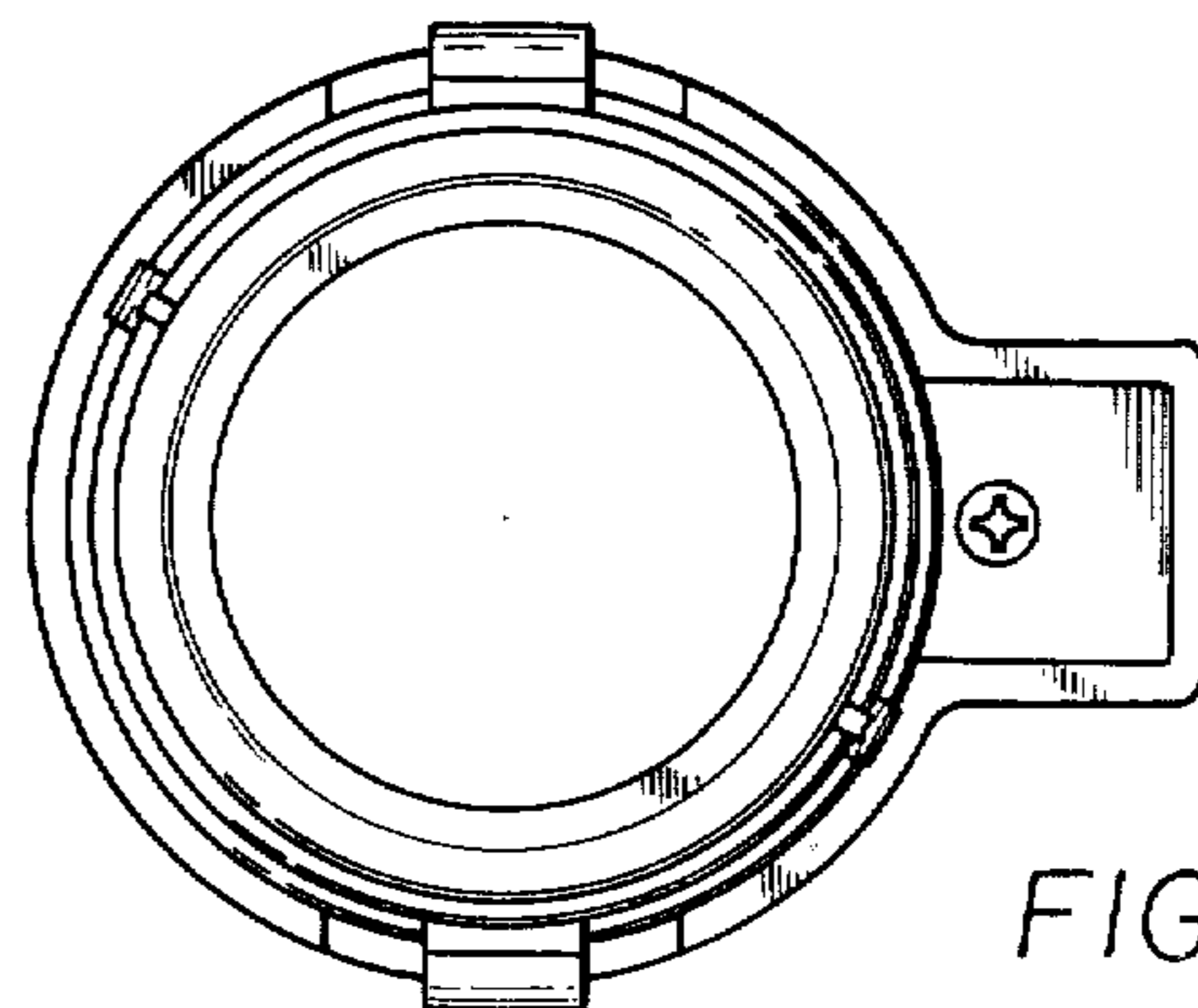


FIG. 5

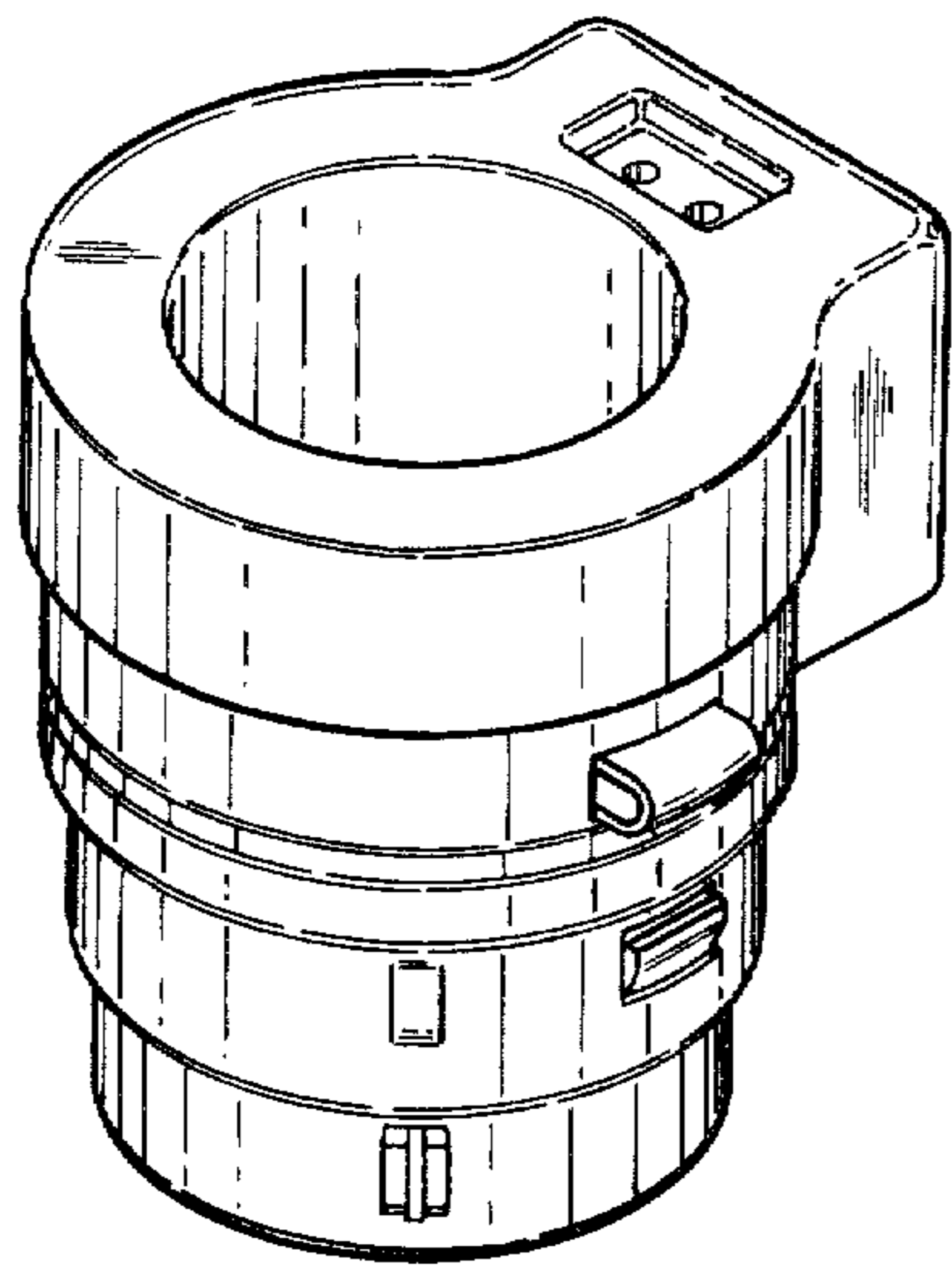


FIG. 8

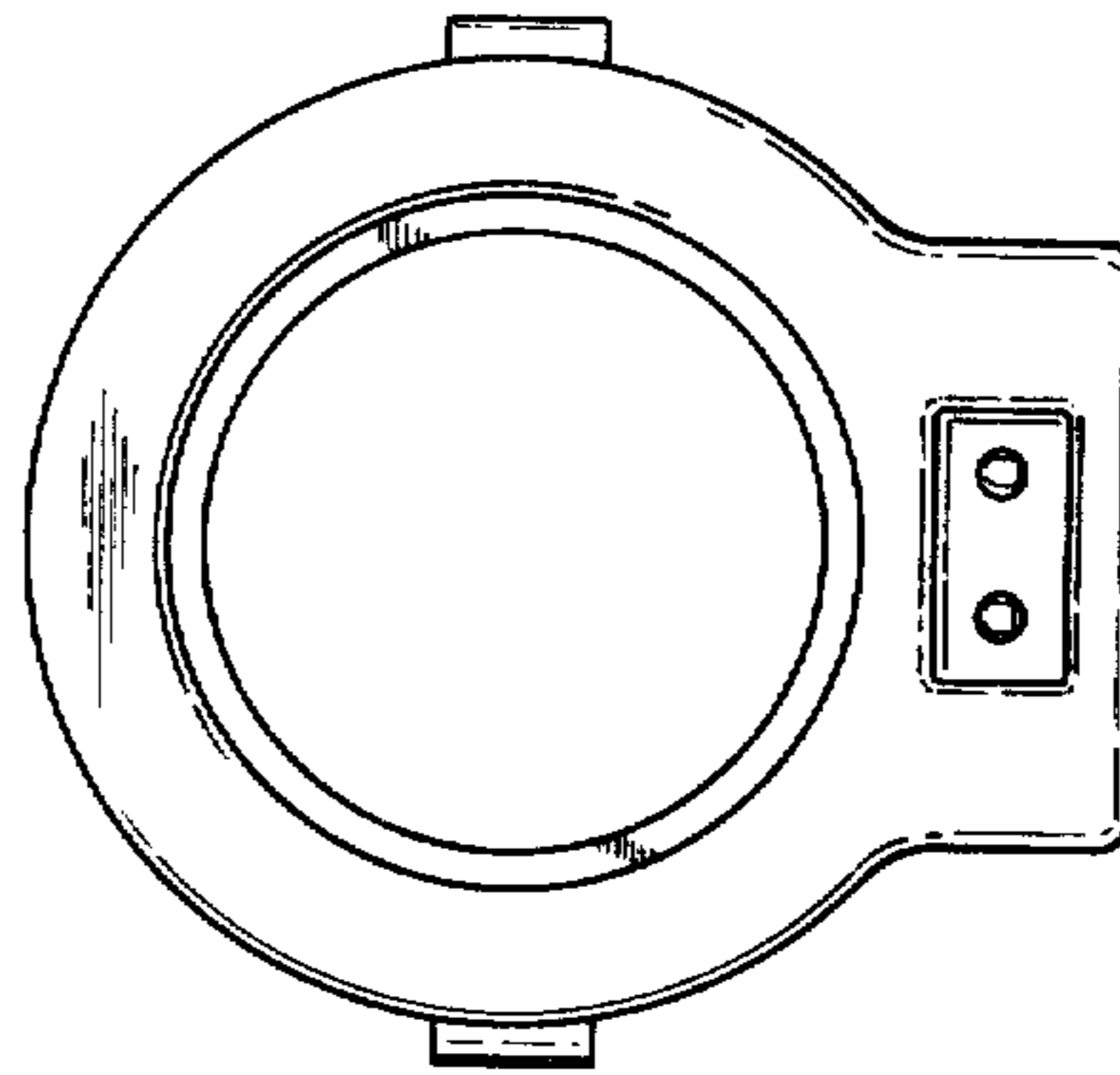


FIG. 9

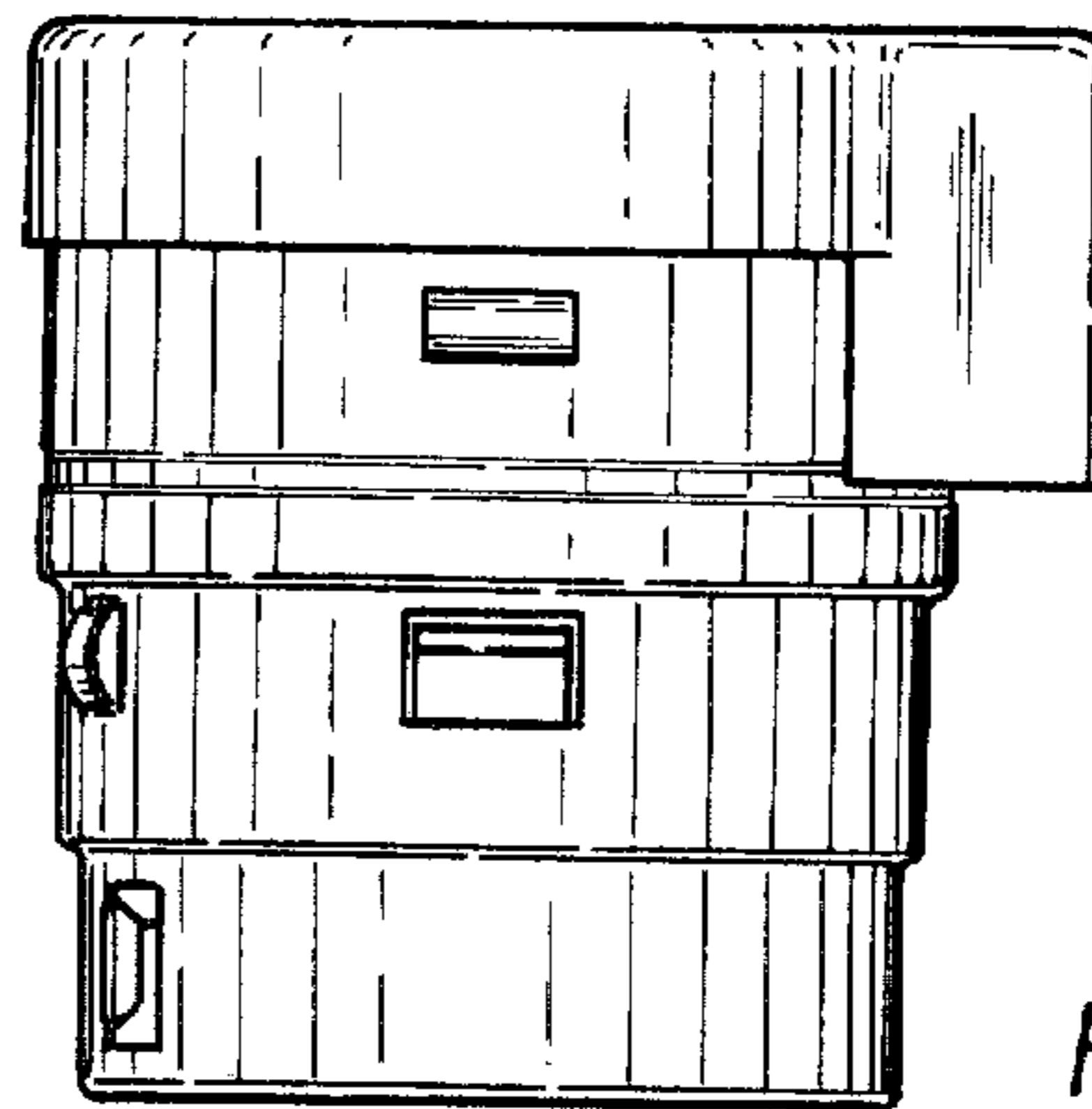


FIG. 10

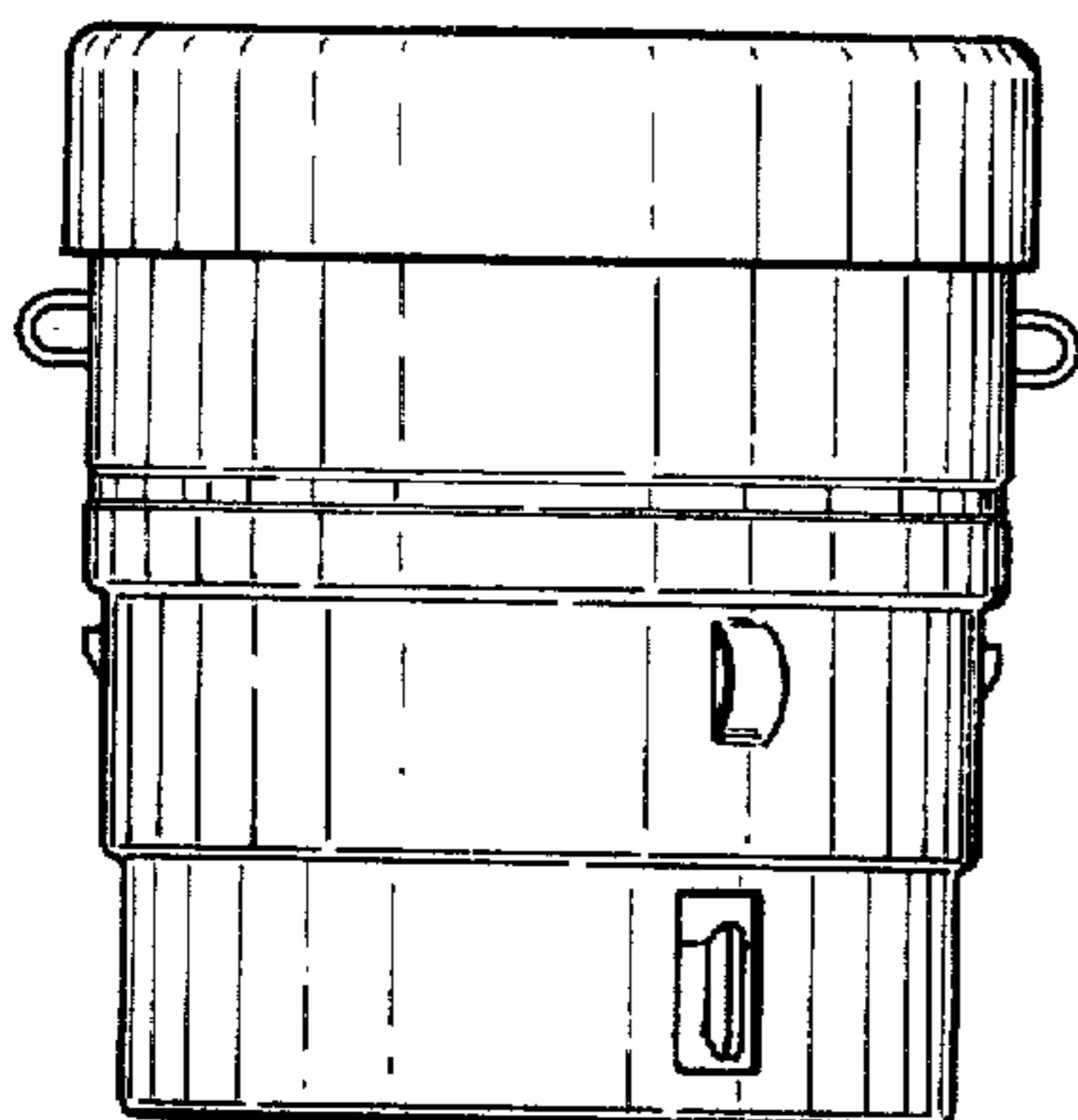


FIG. 13

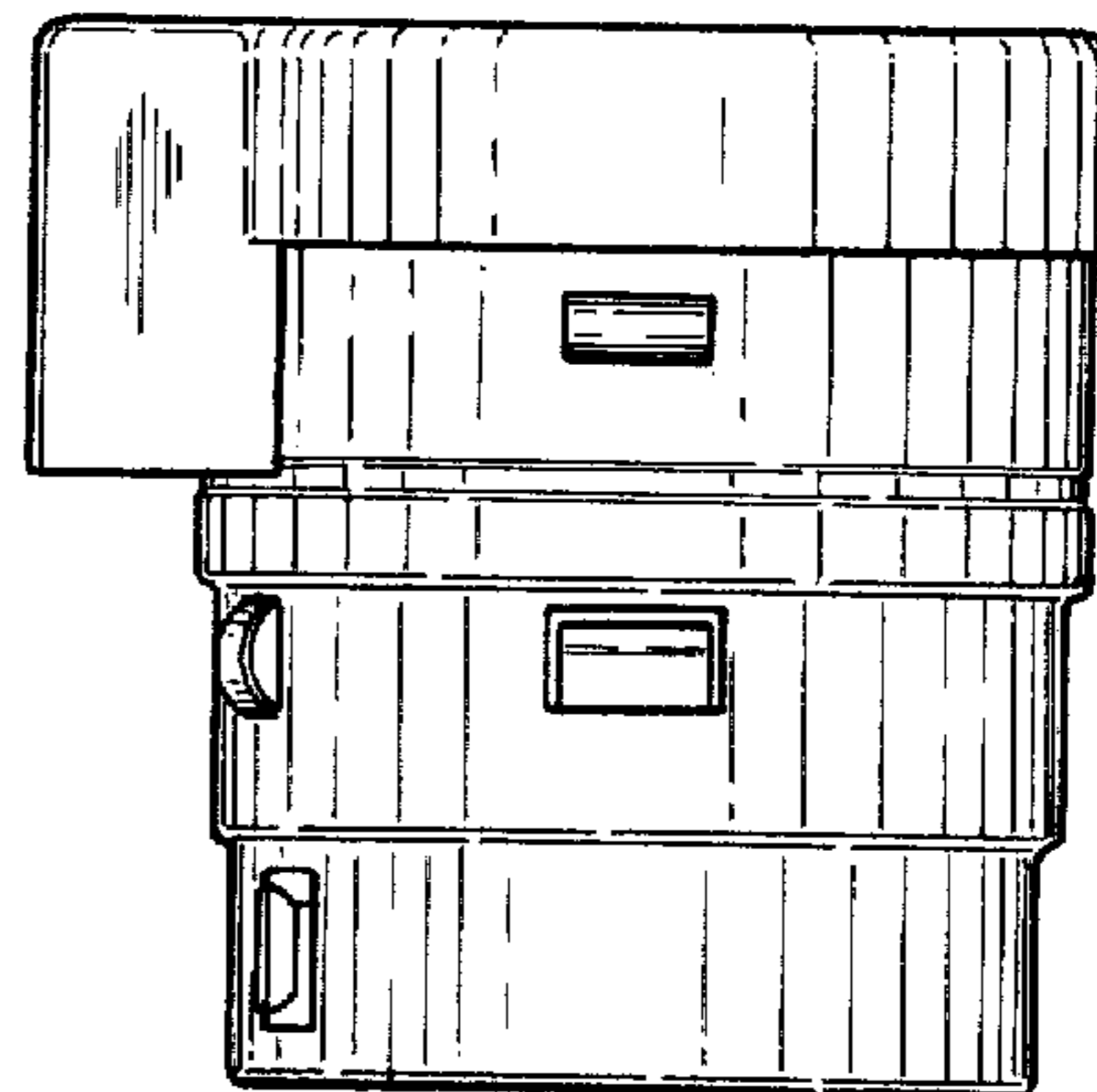


FIG. 11

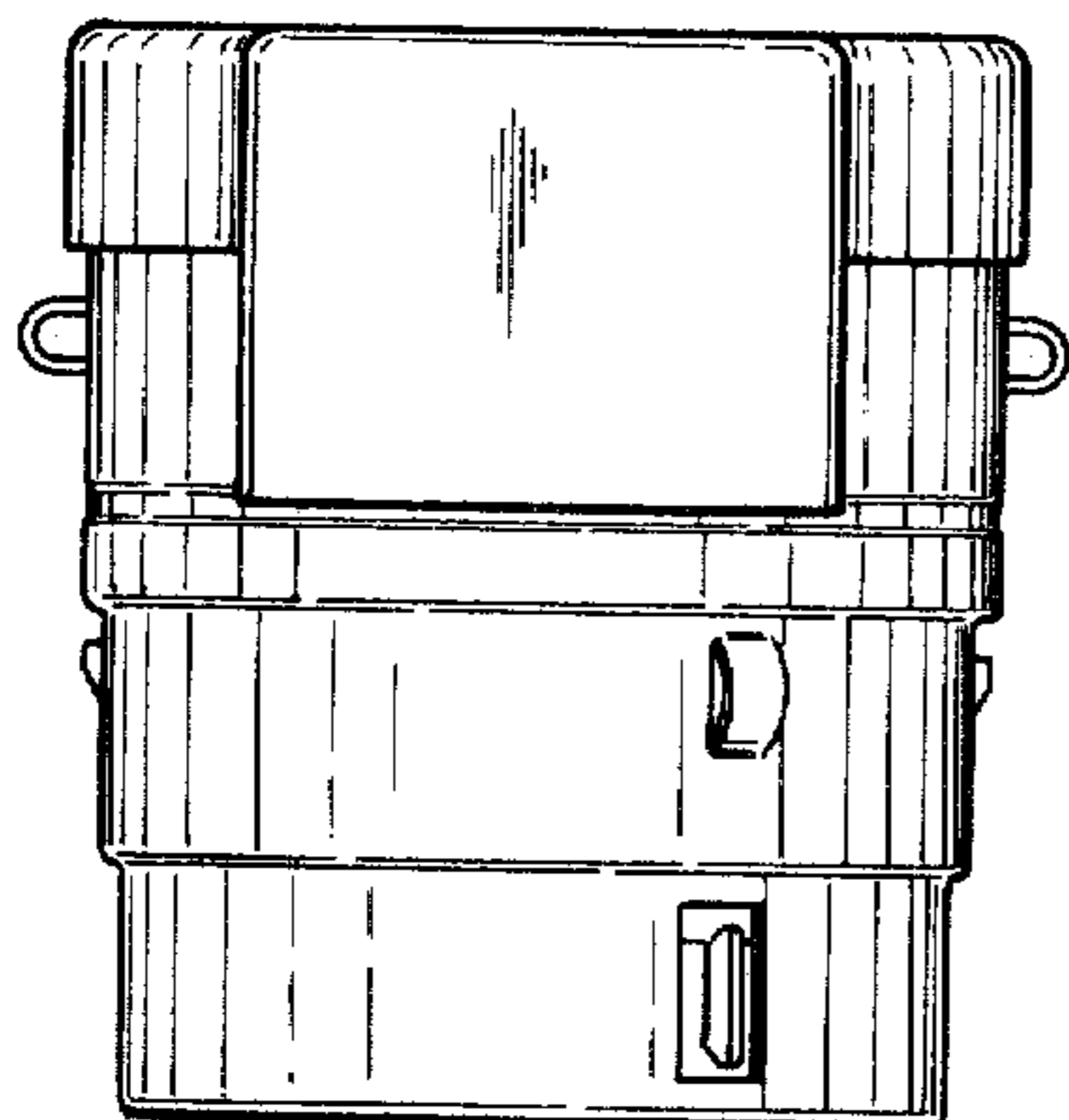


FIG. 14

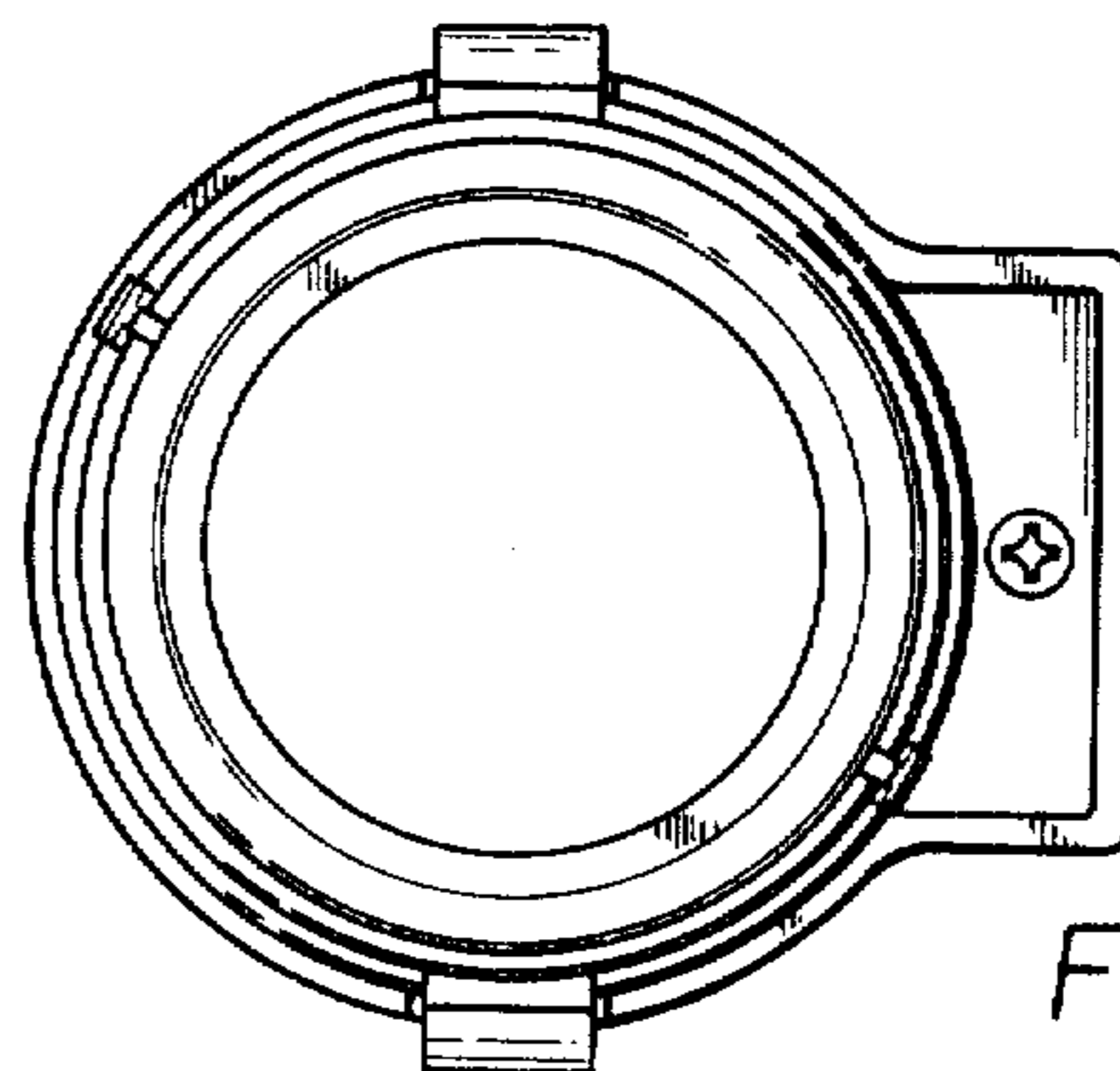


FIG. 12