

[54] PORTABLE NOZZLE MOUNT FOR
FIREFIGHTING NOZZLE

2,692,712 10/1954 Conley 248/75
3,429,535 2/1969 Herzig 248/75

[76] Inventor: Darrell G. Graf, Box 4, Medina, N.
Dak. 58467

Primary Examiner—Veronica O’Keefe
Attorney, Agent, or Firm—Schroeder, Siegfried, Vidas,
Steffey & Arrett

[**] Term: 14 Years

[21] Appl. No.: 68,928

[22] Filed: Aug. 23, 1979

[51] Int. Cl. D23—01; D29—01

[52] U.S. Cl. D29/5; D23/34;
248/75; 248/77

[58] Field of Search D23/23, 34, 35;
137/636.1; D29/5, 99; 248/75, 76, 77

[56] References Cited

U.S. PATENT DOCUMENTS

473,716 4/1892 Stevens 248/77
1,476,810 12/1923 Gilsenan 248/75

[57] CLAIM

The ornamental design for a portable nozzle mount for firefighting nozzle, as shown and described.

DESCRIPTION

FIG. 1 is a perspective view of the portable nozzle mount for firefighting nozzle design in position of use and with broken line disclosure shown for illustrative purposes only;

FIG. 2 is a right-hand elevational view;

FIG. 3 is a front elevational view;

FIG. 4 is a rear elevational view;

FIG. 5 is a top plan view; and

FIG. 6 is a bottom plan view.

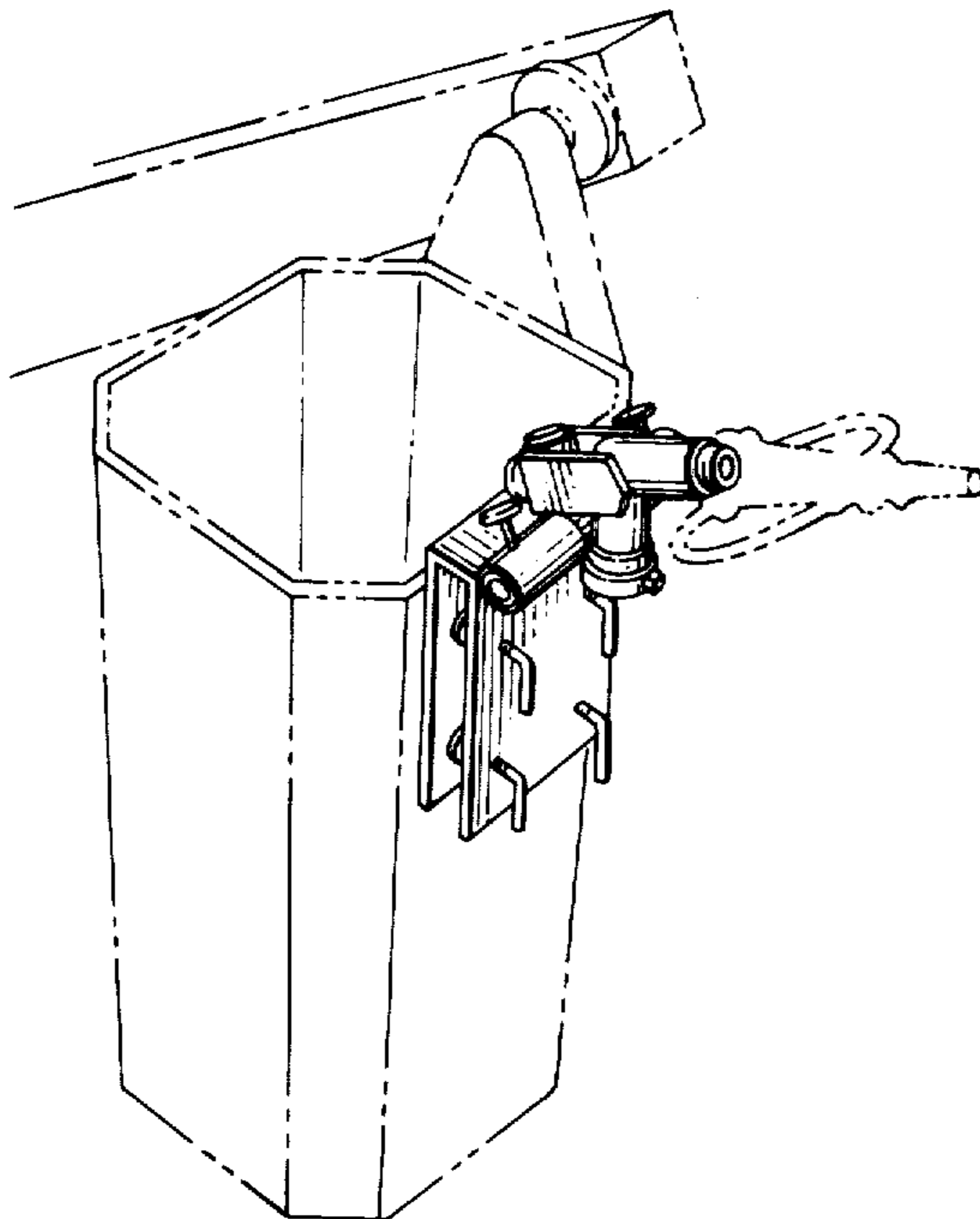


Fig. 1

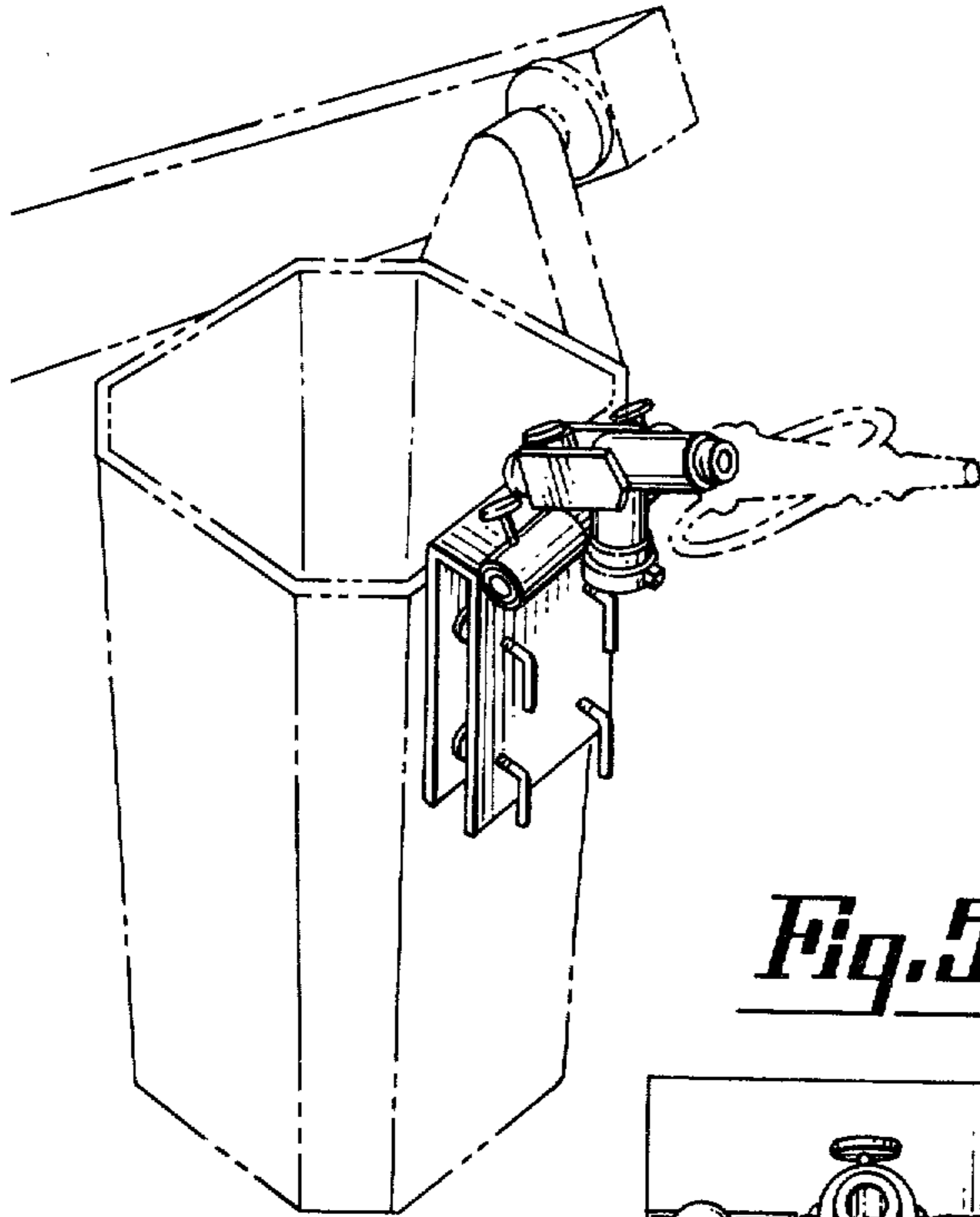


Fig. 2

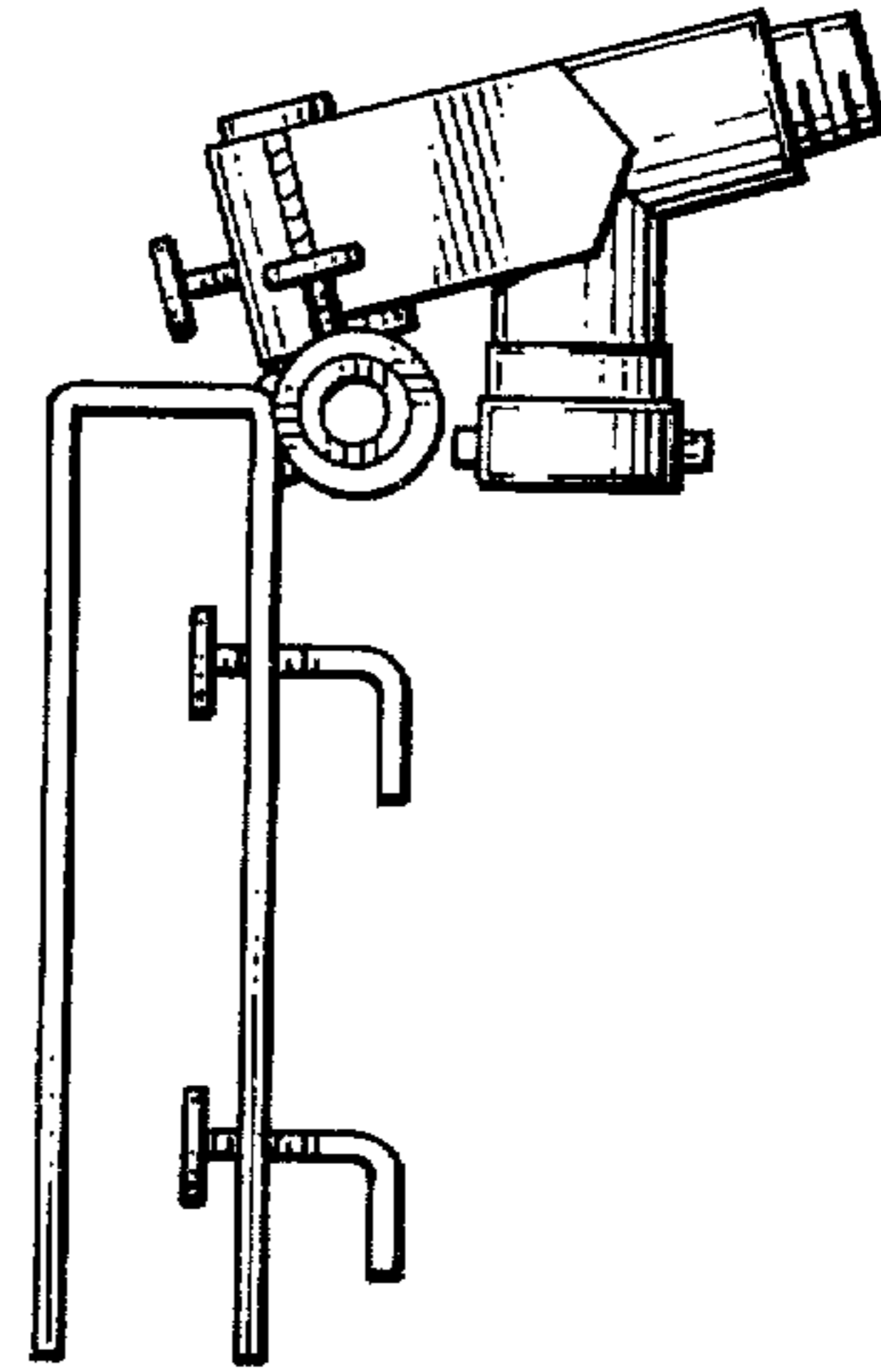


Fig. 5

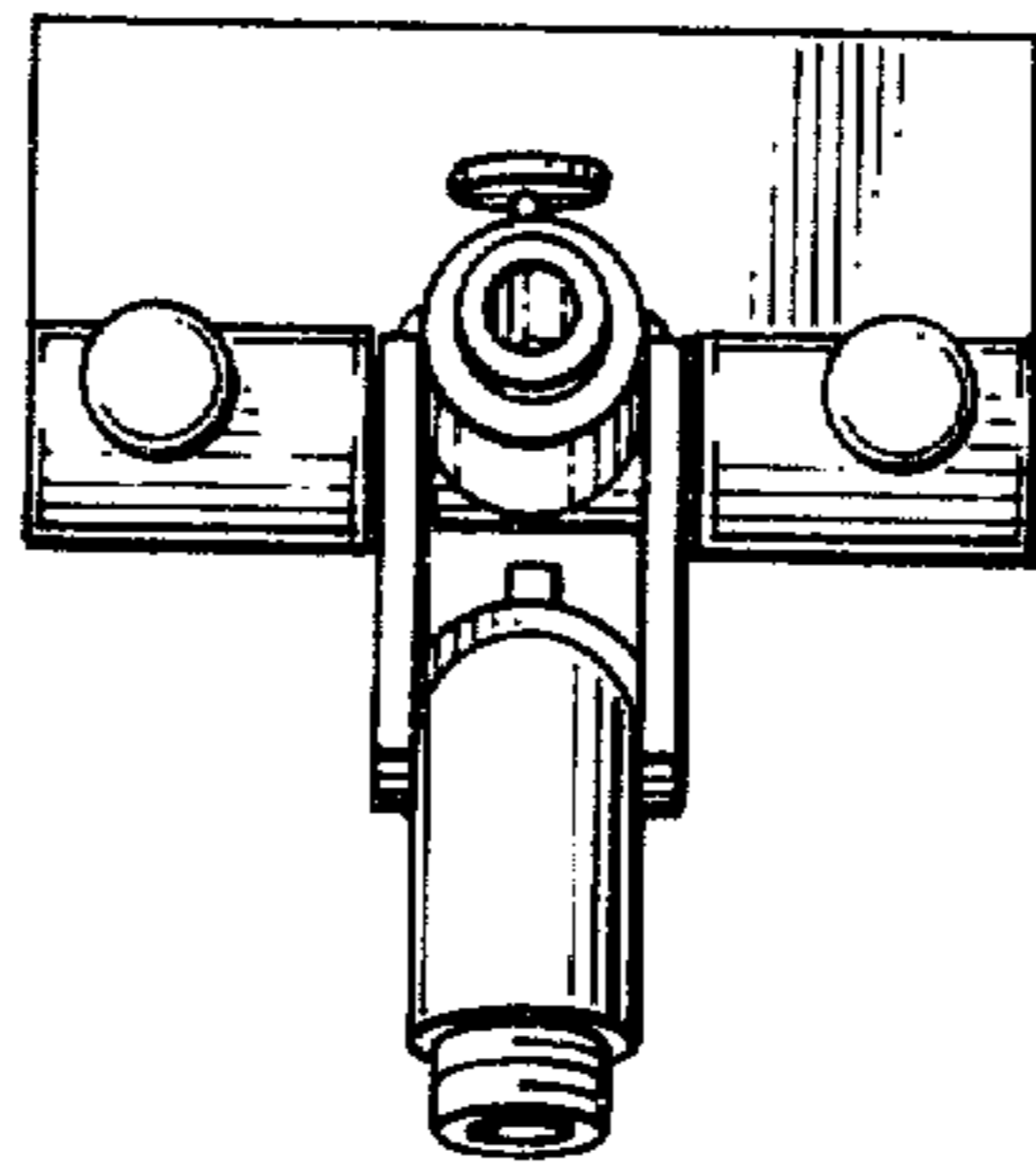


Fig. 3

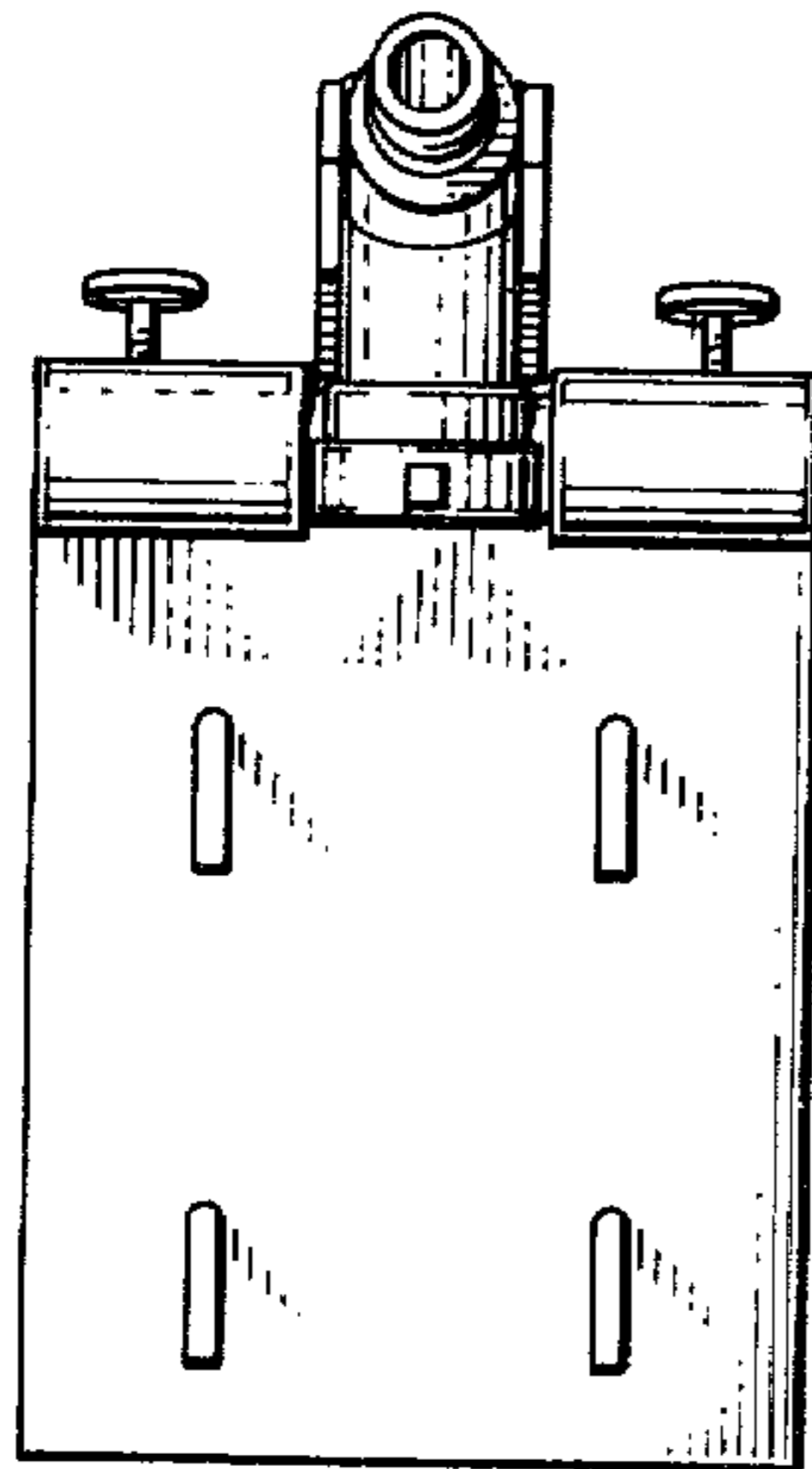


Fig. 4

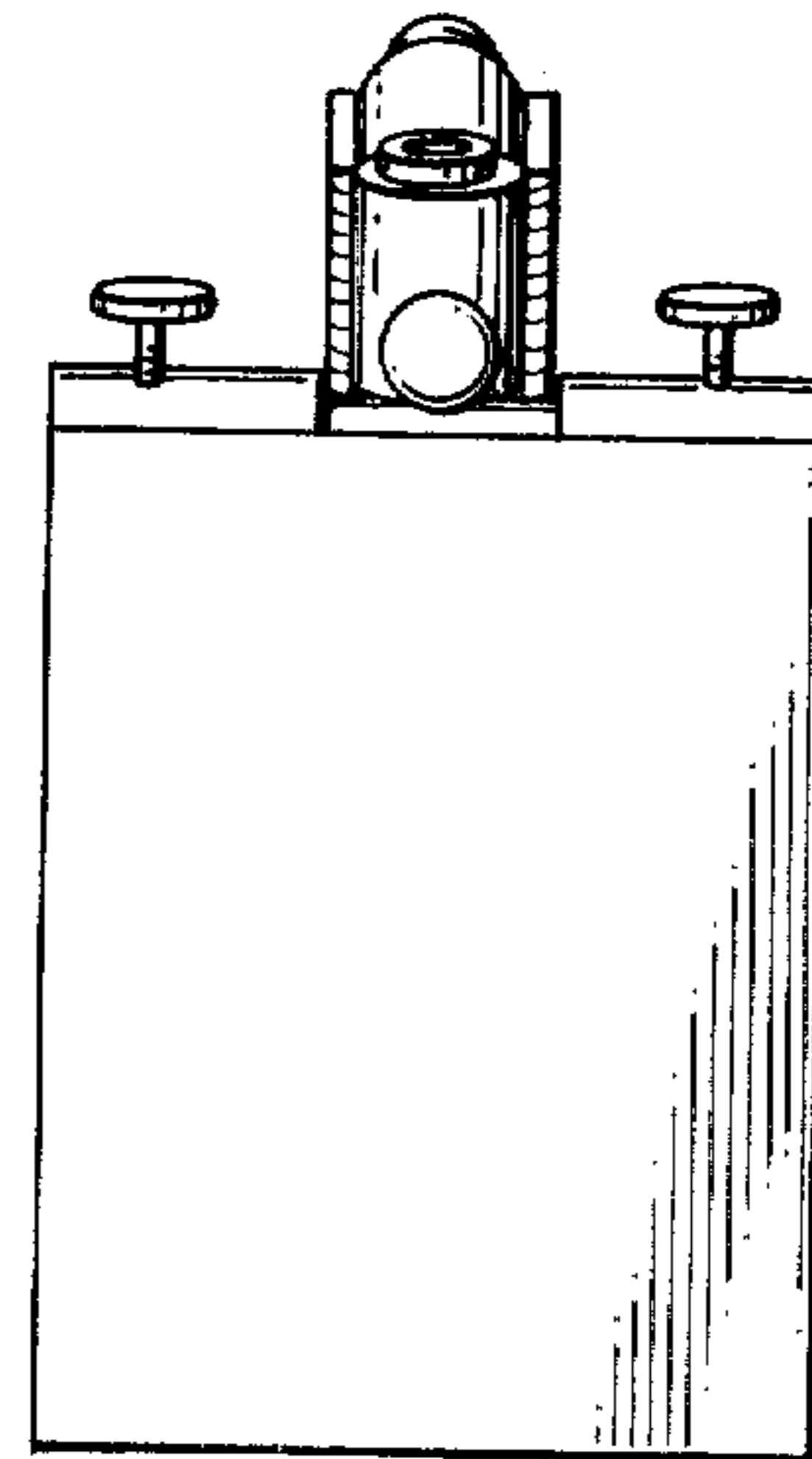


Fig. 6

