

[54] ELECTRICAL COMPONENT TRAY FOR A LUMINAIRE

[75] Inventor: Claude Barozzini, Union Grove, Wis.

[73] Assignee: McGraw-Edison Company, Rolling Meadows, Ill.

[**] Term: 14 Years

[21] Appl. No.: 65,906

[22] Filed: Aug. 13, 1979

[51] Int. Cl. D13-03; D26-99

[52] U.S. Cl. D26/113; D13/40

[58] Field of Search D26/113; D13/12, 13, D13/24, 40, 41, 99; 362/307, 362, 457; 361/390, 391, 399, 400, 403, 407, 415, 418, 419

[56] References Cited

U.S. PATENT DOCUMENTS

2,473,034	6/1949	Shaheen	174/DIG. 2 X
2,925,982	2/1960	Moser	174/DIG. 2 X
4,019,044	4/1977	Kelly et al.	362/307

OTHER PUBLICATIONS

Electrical Construction & Maintenance 1-1978, p. 169, Luminaire Electrical Component Chassis.

Primary Examiner—Susan J. Lucas
Attorney, Agent, or Firm—Ronald J. LaPorte; Jon Carl Gealow; Charles W. MacKinnon

[57] CLAIM

The ornamental design for an electrical component tray for a luminaire, substantially as shown and described.

DESCRIPTION

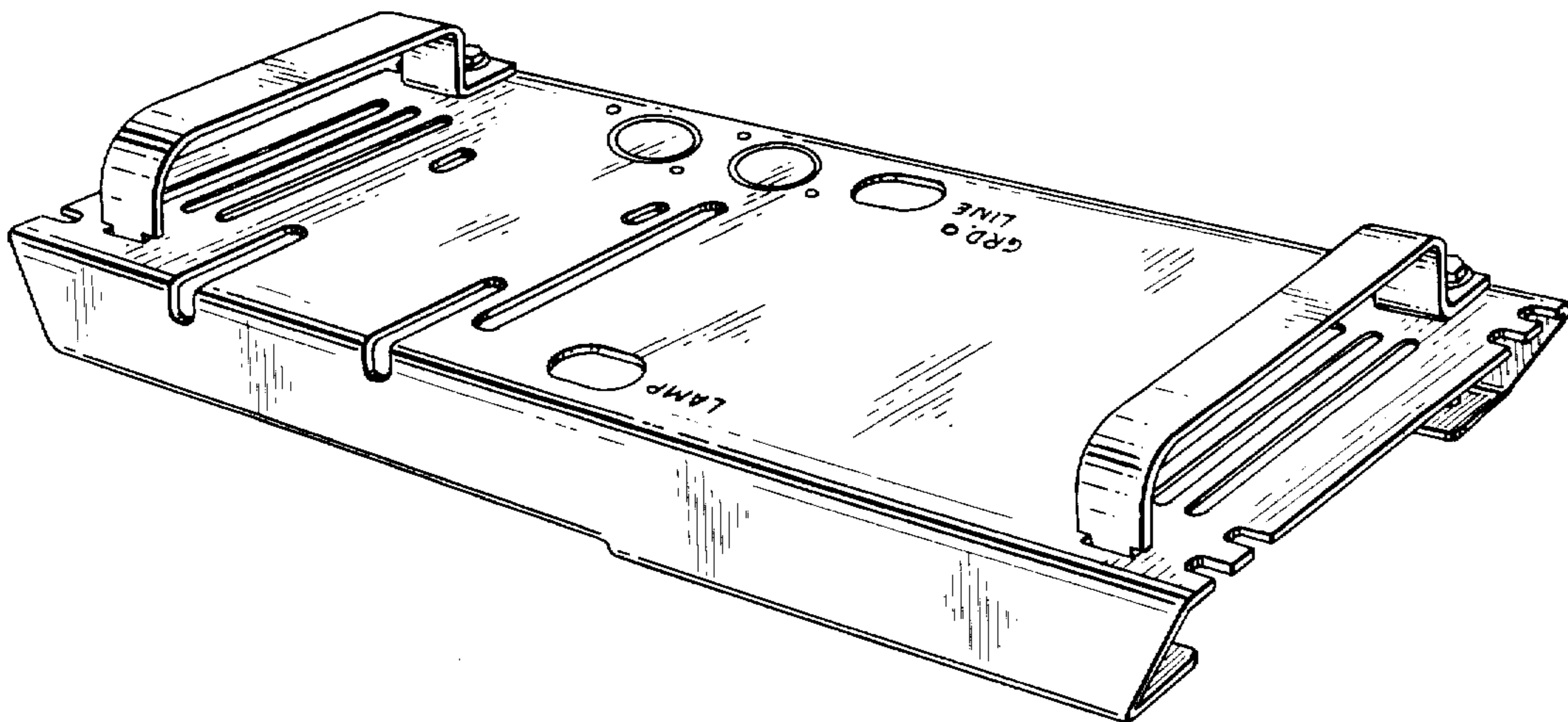
FIG. 1 is a perspective view of an electrical component tray for a luminaire showing my new design, taken from the top, one end and one side thereof;

FIG. 2 is a top, plan view of the electrical component tray of FIG. 1;

FIGS. 3 and 4 are opposite side elevational views of the electrical component tray of FIG. 1;

FIG. 5 is a bottom, plan view of the electrical component tray of FIG. 1; and

FIGS. 6 and 7 are opposite end, elevational views of the electrical component tray of FIG. 1.



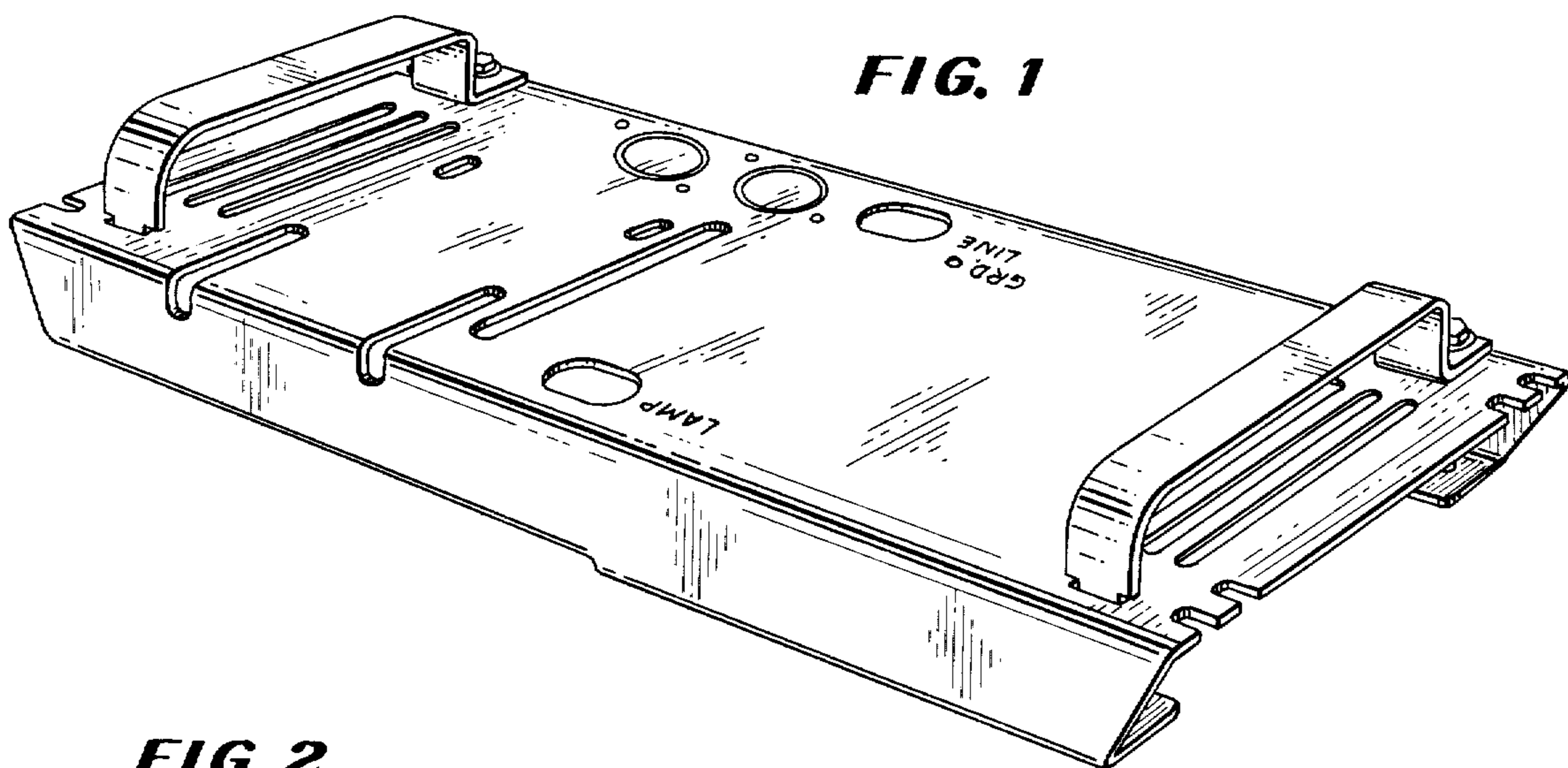


FIG 2

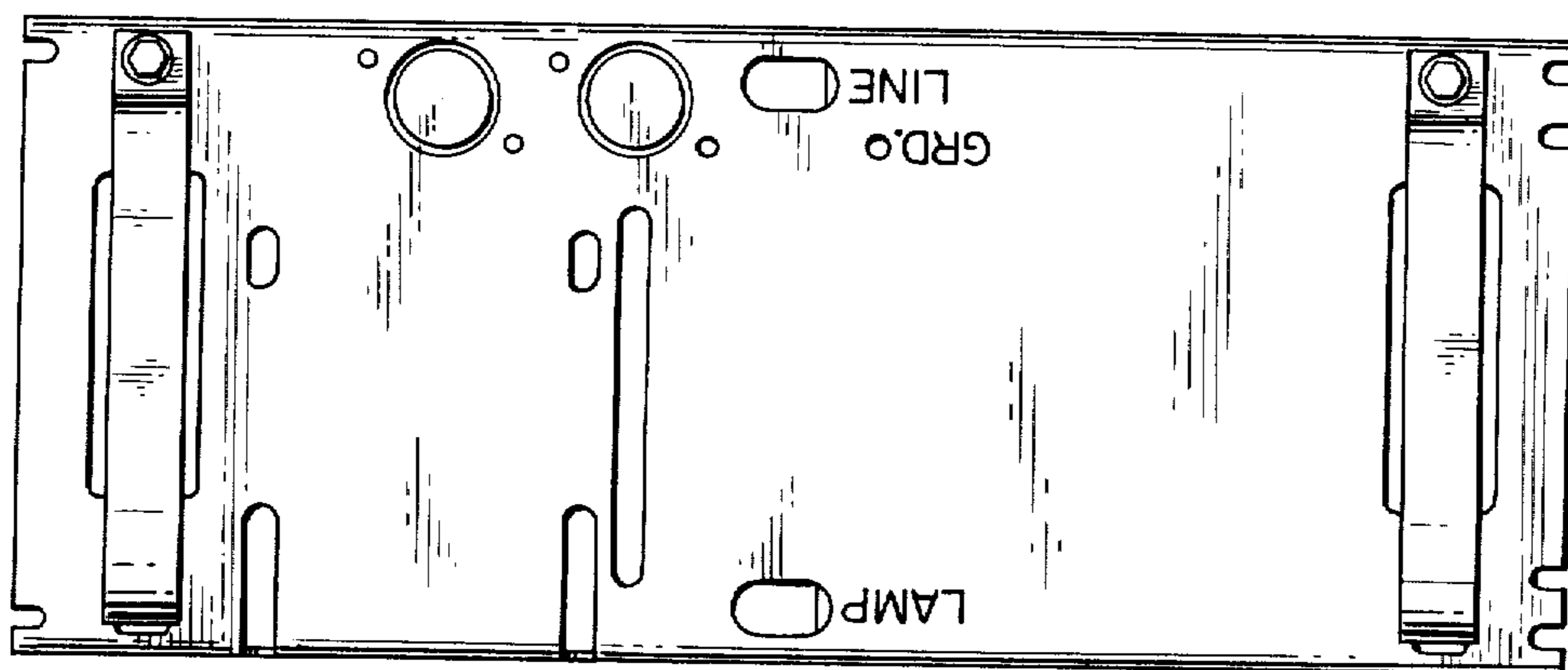


FIG 3

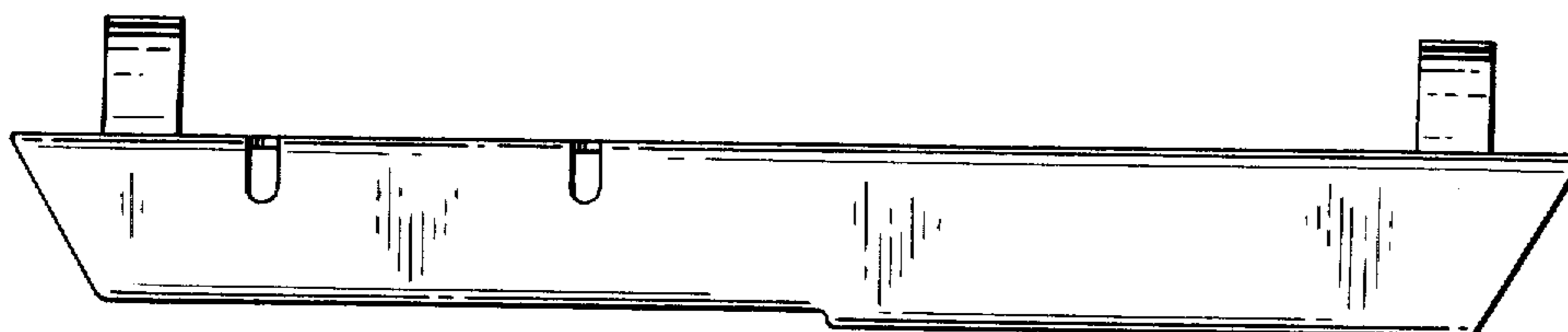


FIG. 4

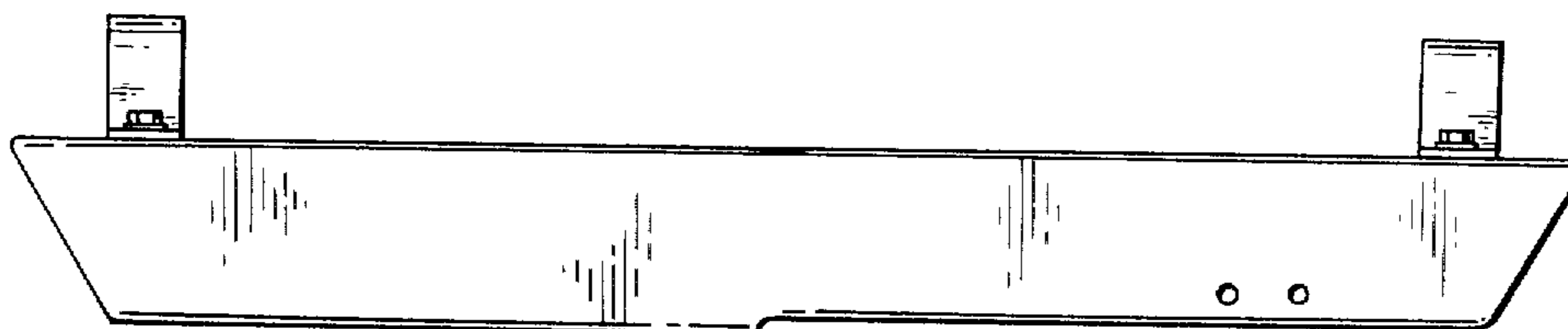


FIG. 5

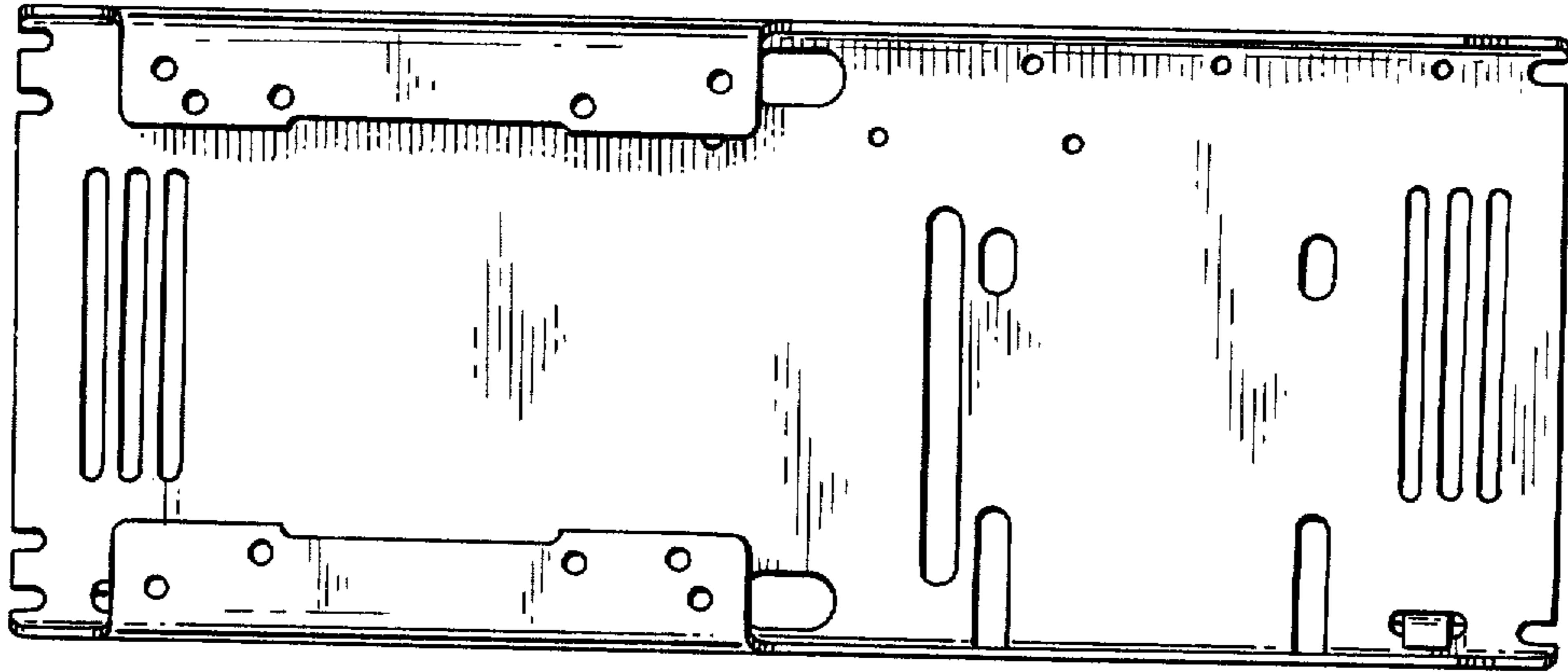


FIG. 6

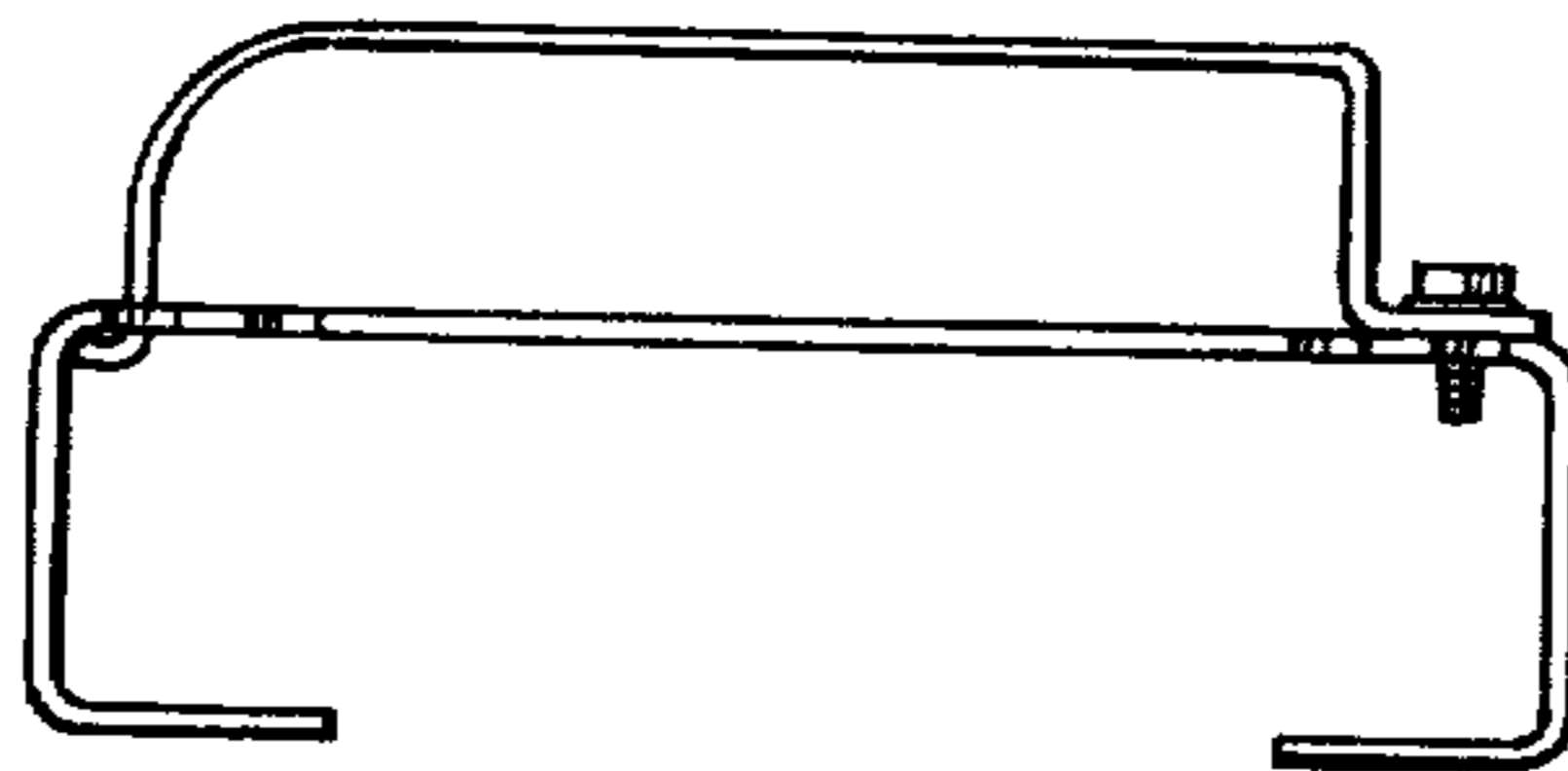


FIG. 7

