

[54] **SPOTLIGHT FITTING**

[75] Inventor: **Robert Heritage**, London, England

[73] Assignee: **Rotaflex (Great Britain) Limited**,
London, England

[**] Term: **14 Years**

[21] Appl. No.: **48,677**

[22] Filed: **Jun. 14, 1979**

[30] **Foreign Application Priority Data**

Jan. 25, 1979 [GB] United Kingdom 988,246/79

[51] Int. Cl. **D26—05**

[52] U.S. Cl. **D26/74; D26/63**

[58] Field of Search **D26/24, 61, 63, 64,**
D26/65, 66, 72, 74, 80, 81, 82, 83, 84, 85, 86, 88,
89, 90, 91; 362/227, 233, 235, 236, 237, 238,
239, 240, 241, 242, 244, 245, 246, 249, 250, 257,
269, 270, 277, 278, 282, 287, 296, 297, 362, 365,
367, 368, 370, 371, 372, 404, 418, 420, 427

[56] **References Cited**

U.S. PATENT DOCUMENTS

D. 107,878 1/1938 Levy D26/74
D. 223,282 4/1972 Andre D26/63
D. 223,855 6/1972 Shaw D26/63

FOREIGN PATENT DOCUMENTS

422939 4/1967 Switzerland 362/407

OTHER PUBLICATIONS

Electrical Consultant, 1-1970, p. 23, Adjustable Spot-
light Fitting (bottom left).

Primary Examiner—Susan J. Lucas

Attorney, Agent, or Firm—Arthur B. Colvin

[57] **CLAIM**

The ornamental design for a spotlight fitting, as shown
and described.

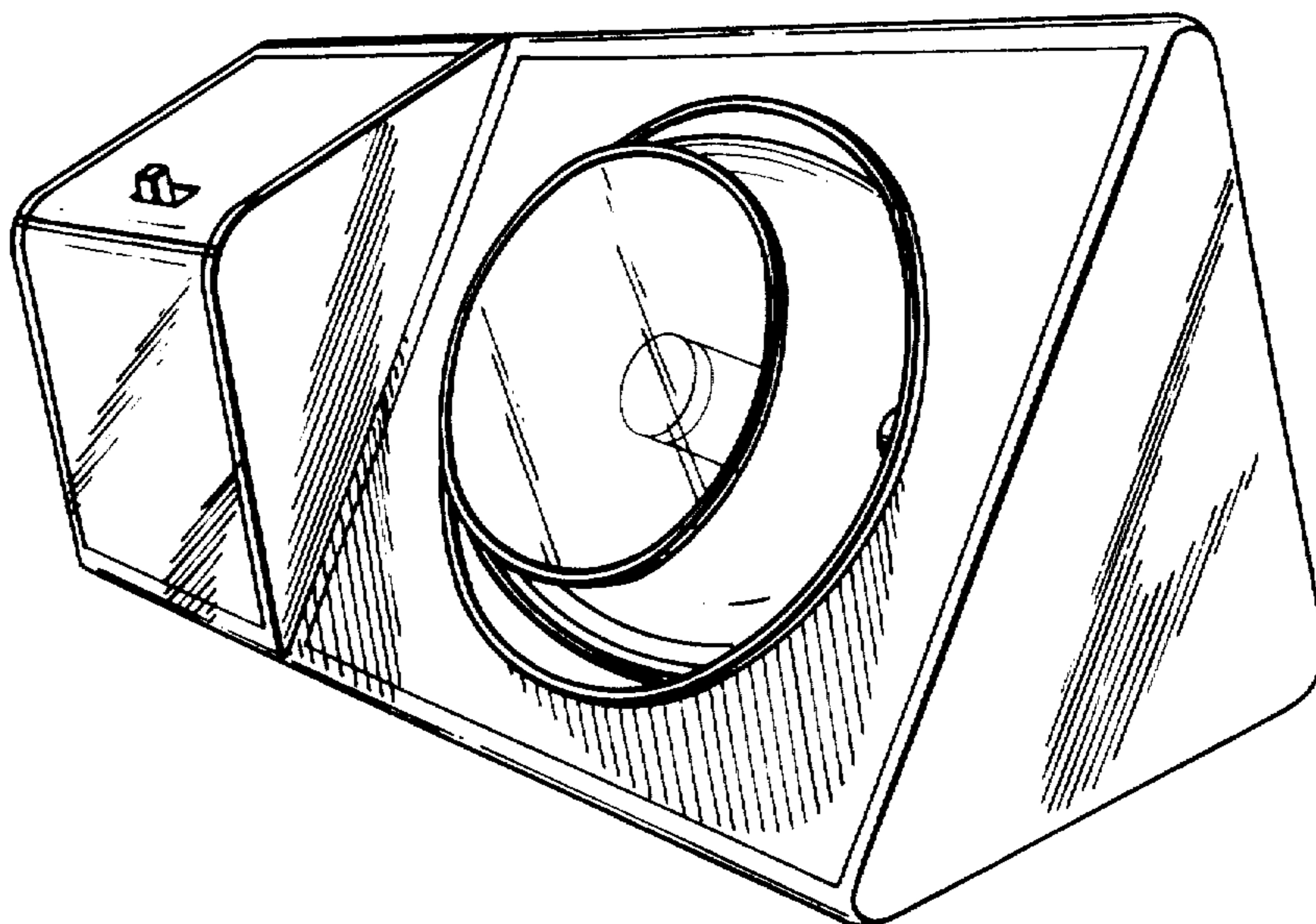
DESCRIPTION

FIG. 1 is a front perspective view of a spotlight fitting
showing my new design;

FIG. 2 is an end elevational view thereof on an enlarged
scale;

FIG. 3 is a bottom plan view thereof on an enlarged
scale, the top being a mirror image of the bottom; and

FIG. 4 is a front elevational view thereof on an enlarged
scale.



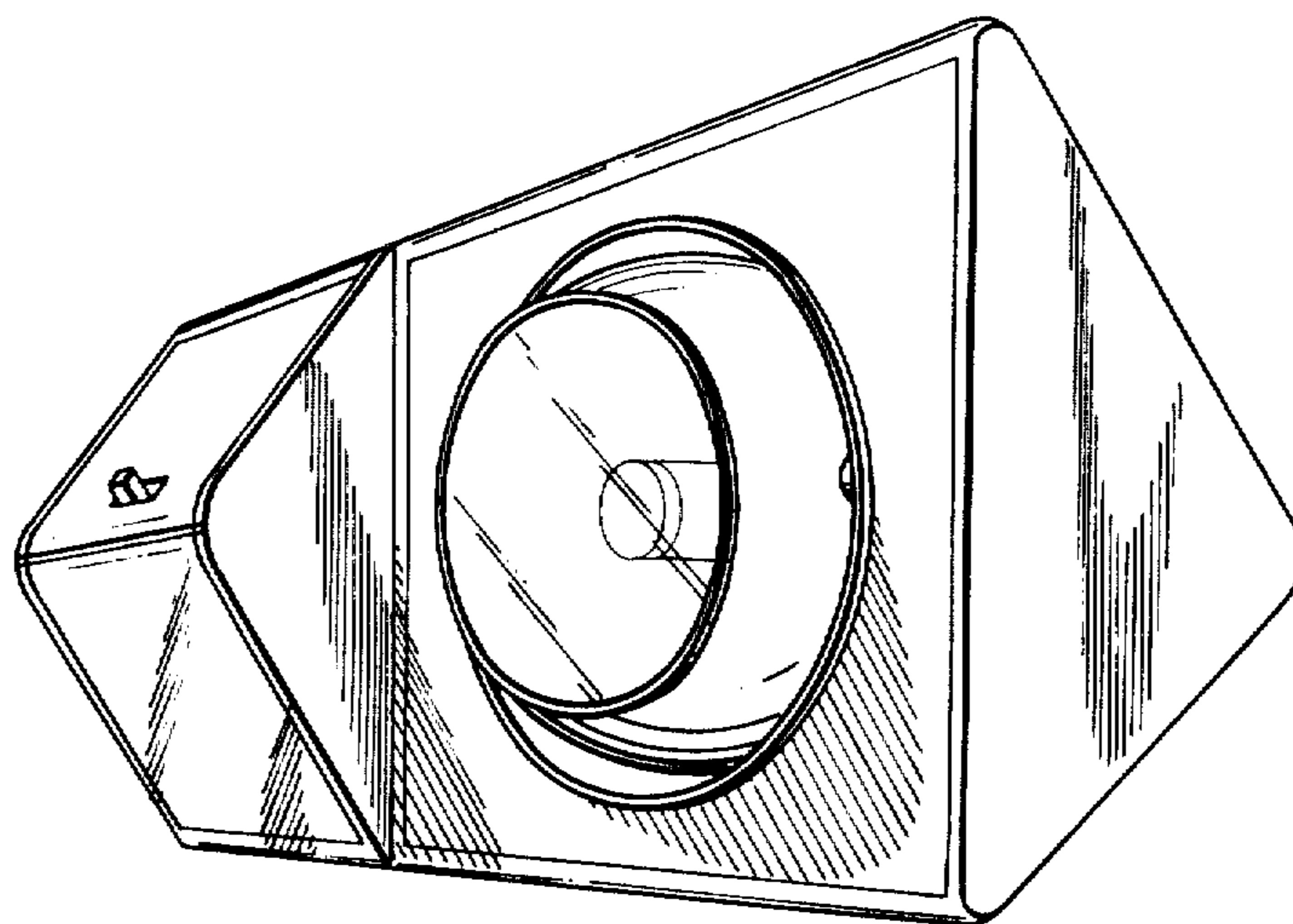


FIG. 1.

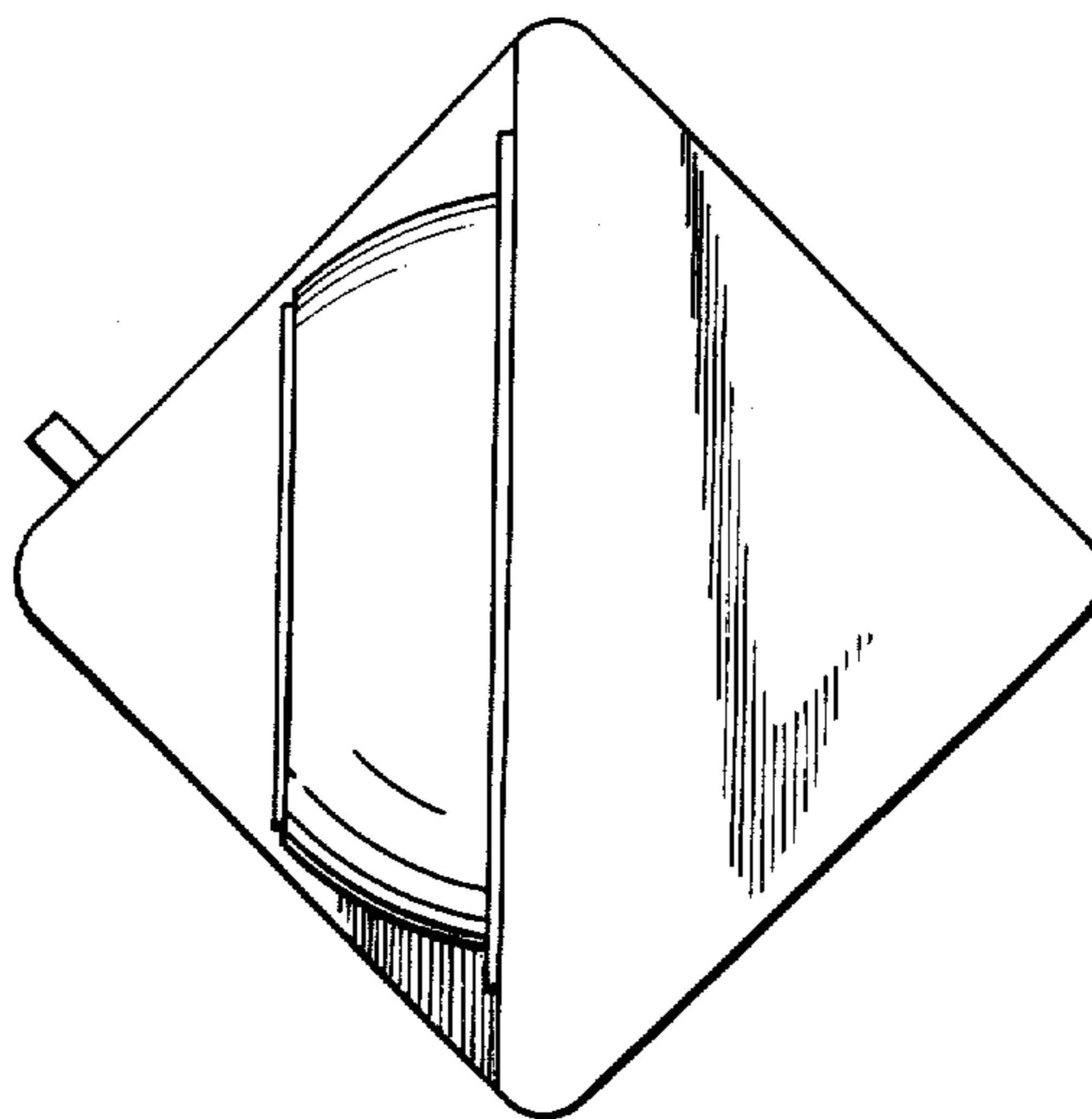


FIG. 2.

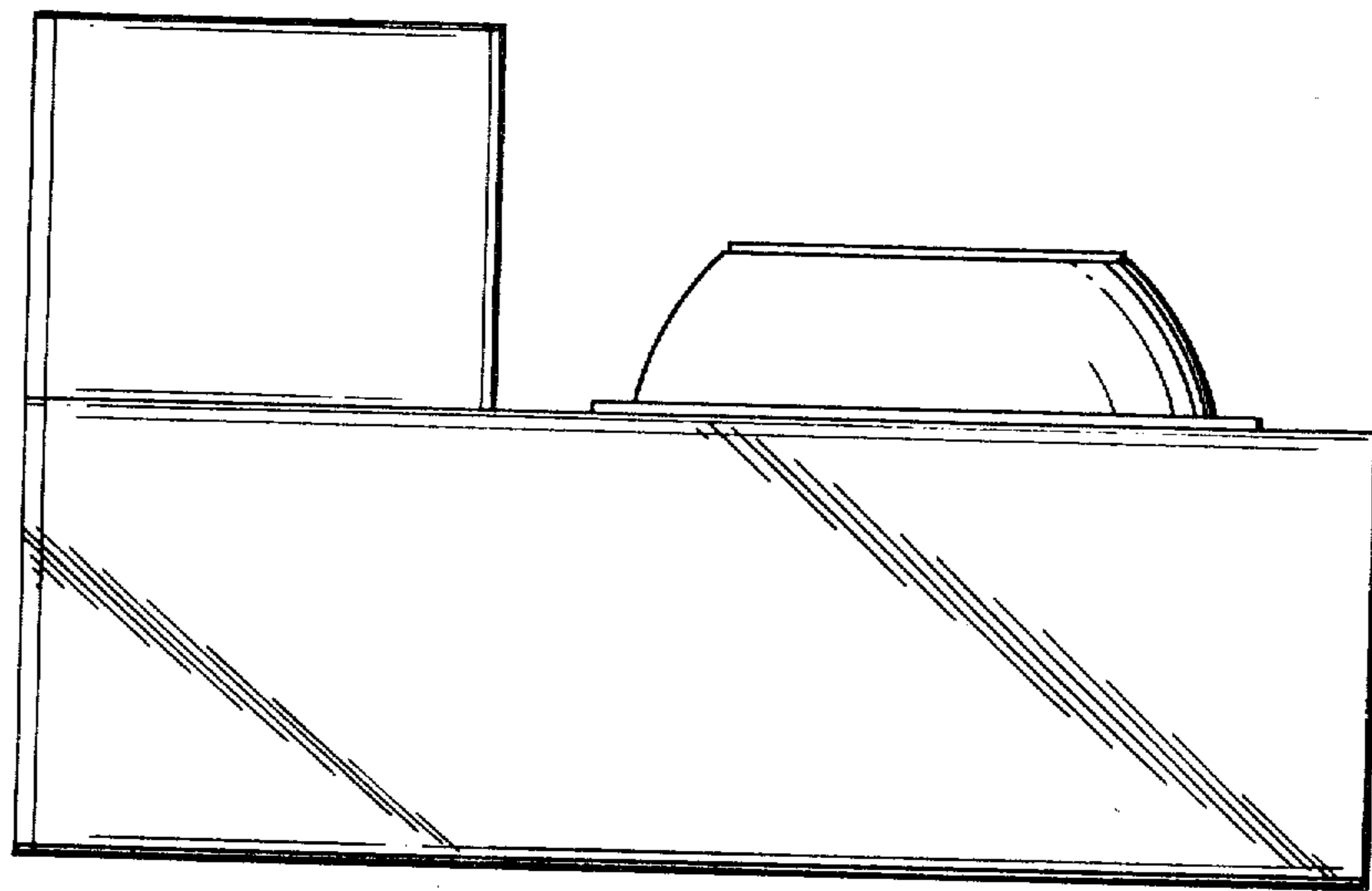


FIG. 3.

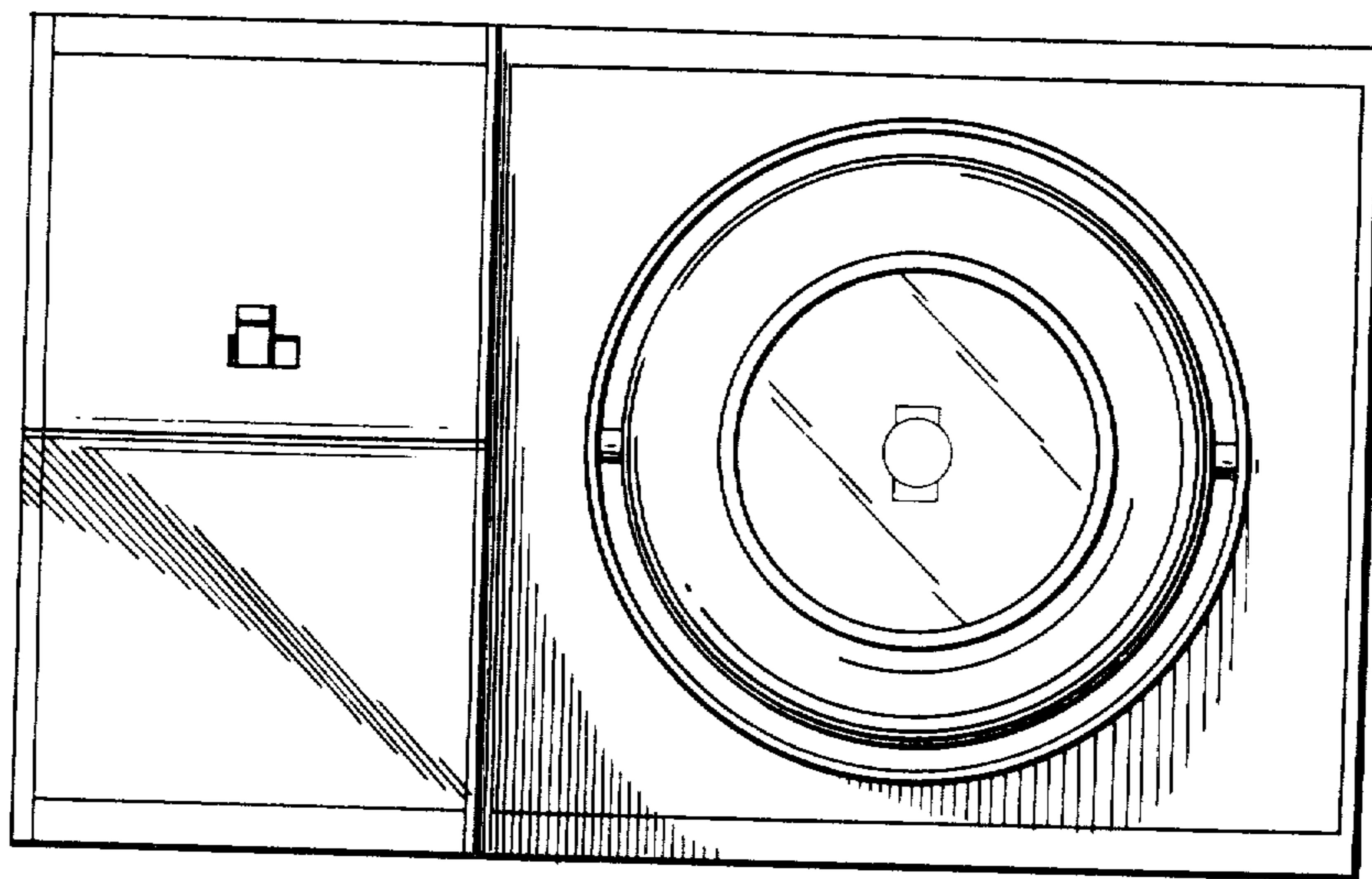


FIG. 4.