

[54] INTERLOCK CRIB

[76] Inventor: **Hugh G. Campbell**, 1846 S. 12th East, Salt Lake City, Utah 84105

[**] Term: 7 Years

[21] Appl. No.: 146,632

[22] Filed: May 5, 1980

[51] Int. Cl. D25-01

[52] U.S. Cl. D25/80; D25/74

[58] Field of Search D25/80, 97, 98, 74; 405/273, 272

[56] **References Cited**

U.S. PATENT DOCUMENTS

1,773,579 8/1930 Flath 405/273

1,787,200 12/1930 Huntoon 405/273
3,631,682 1/1972 Hilfiker 405/273

Primary Examiner—A. Hugo Word
Attorney, Agent, or Firm—B. Deon Criddle

[57] **CLAIM**

The ornamental design for an interlock crib, as shown and described.

DESCRIPTION

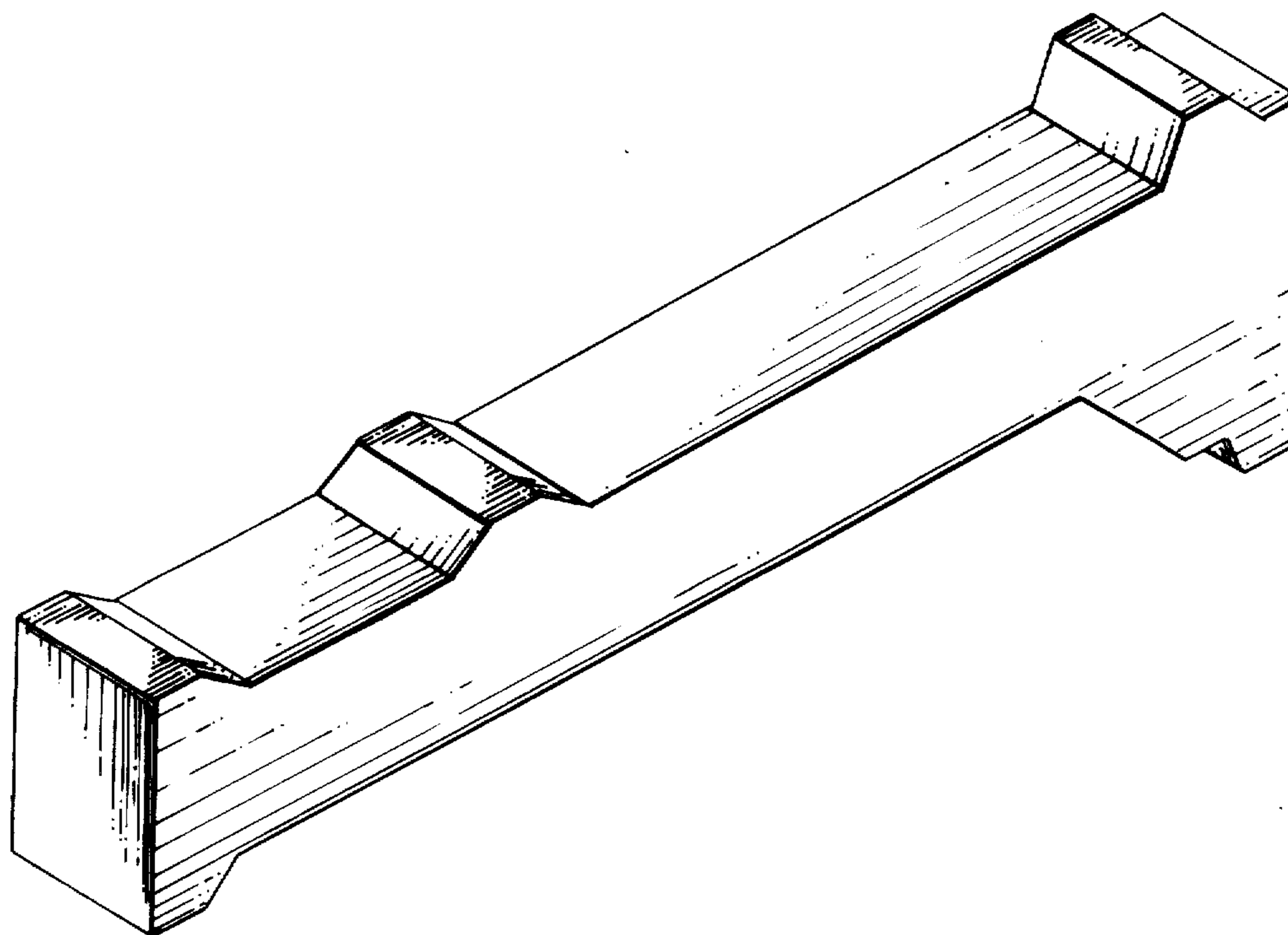
FIG. 1 is a perspective view taken from above and at one front corner of an interlock crib incorporating my design.

FIG. 2 is a top plan view thereof.

FIG. 3 is a side elevation view thereof, the opposite side being a mirror image.

FIG. 4 is a bottom plan view thereof.

FIG. 5 is an end elevation view.



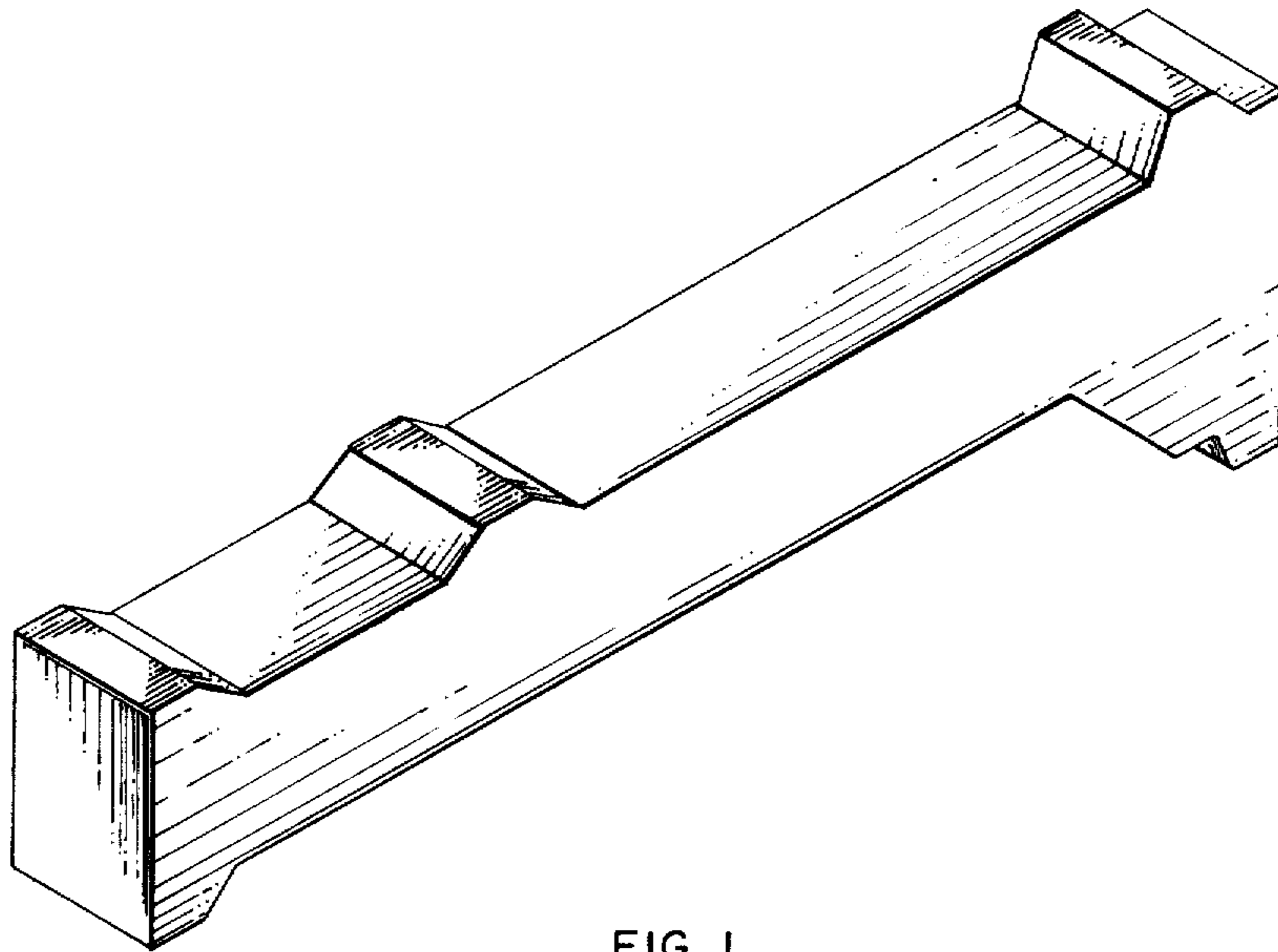


FIG. 1

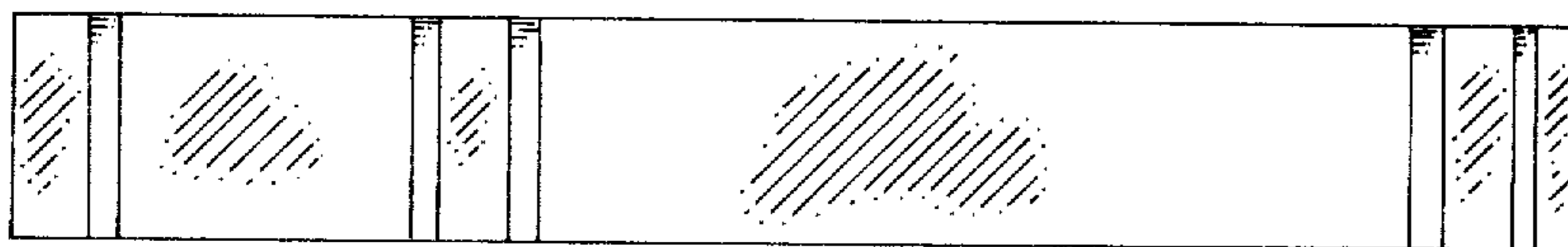


FIG. 2

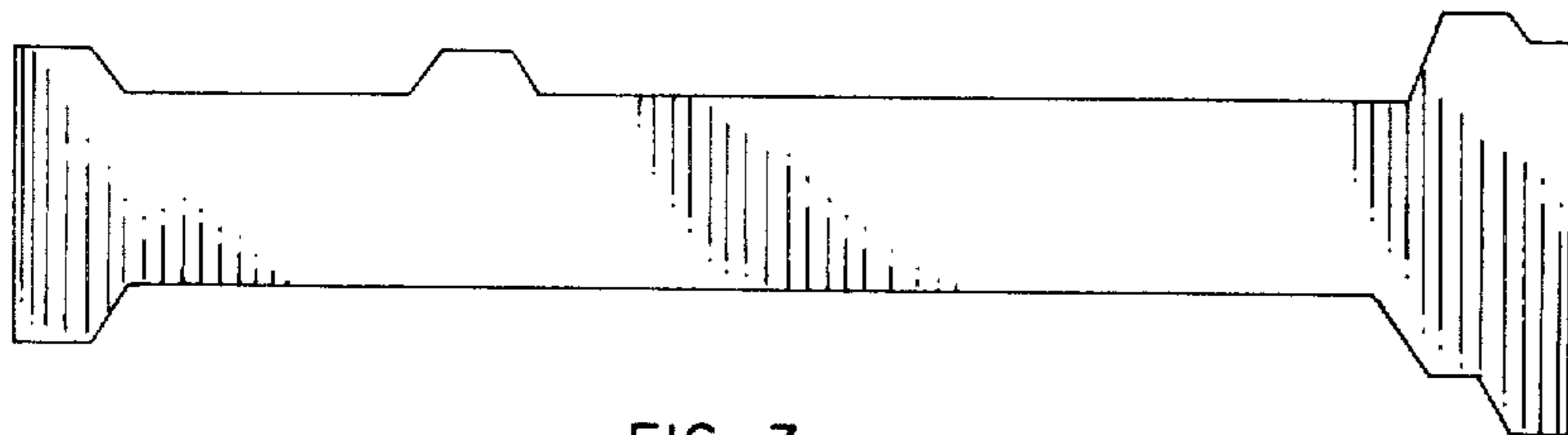


FIG. 3

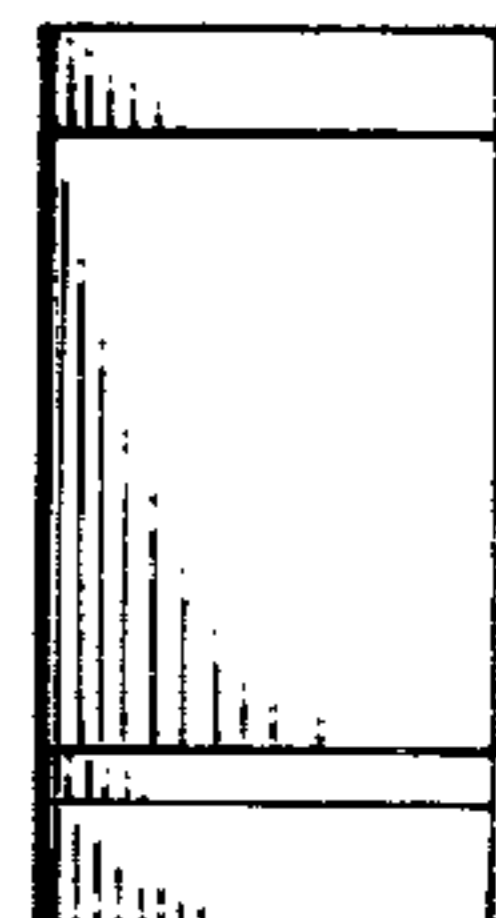


FIG. 5

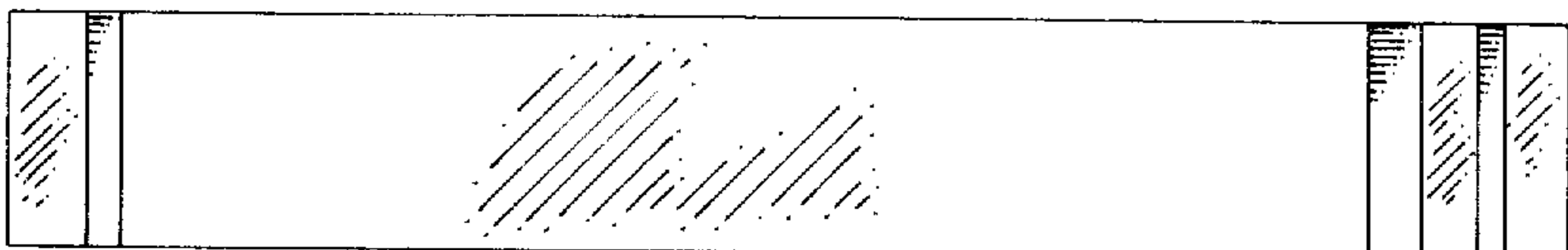


FIG. 4