

[54] **BODY MASSAGE APPLIANCE**
[75] Inventor: **Robert Oberheim**, Liederbach, Fed.
Rep. of Germany
[73] Assignee: **Braun AG**, Kronberg, Fed. Rep. of
Germany
[**] Term: **14 Years**
[21] Appl. No.: **74,632**
[22] Filed: **Sep. 12, 1979**

[30] **Foreign Application Priority Data**
Mar. 13, 1979 [DE] Fed. Rep. of Germany 73 MR
8780

[51] Int. Cl. **D28—03; D4—02**
[52] U.S. Cl. **D24/41; D4/14;**
D28/10
[58] Field of Search **D24/41, 36; D4/15, 14;**
D28/49, 50, 10; 128/41, 24.2, 57; 15/28, 22 R

[56] **References Cited**
U.S. PATENT DOCUMENTS
D. 226,045 1/1973 Yran D24/41
D. 245,948 10/1977 Wolff D14/14
D. 249,707 9/1978 Burke et al. D24/41

D. 250,228 11/1978 Long D14/14
D. 251,441 3/1979 Veda et al. D24/36
3,314,418 4/1967 Tiemes 128/36
3,733,634 5/1973 Golbe 15/28

OTHER PUBLICATIONS

Evan Catalog, 1979, ©1978, p. 351, Item No. #10,
Massager.

Primary Examiner—Bernard Ansher
Attorney, Agent, or Firm—Sughrue, Mion, Zinn,
Macpeak and Seas

[57] **CLAIM**

The ornamental design for a body massage appliance, as
shown and described.

DESCRIPTION

FIG. 1 is a top plan view of a body massage appliance
showing my new design;
FIG. 2 is a side view thereof;
FIG. 3 is a bottom plan view thereof;
FIG. 4 is a view as seen from the side opposite FIG. 2;
FIG. 5 is a side view with the massage brush in assem-
bled condition;
FIG. 6 is a rear perspective view of the appliance;
FIG. 7 is a front elevation thereof; and
FIG. 8 is a rear elevation thereof.

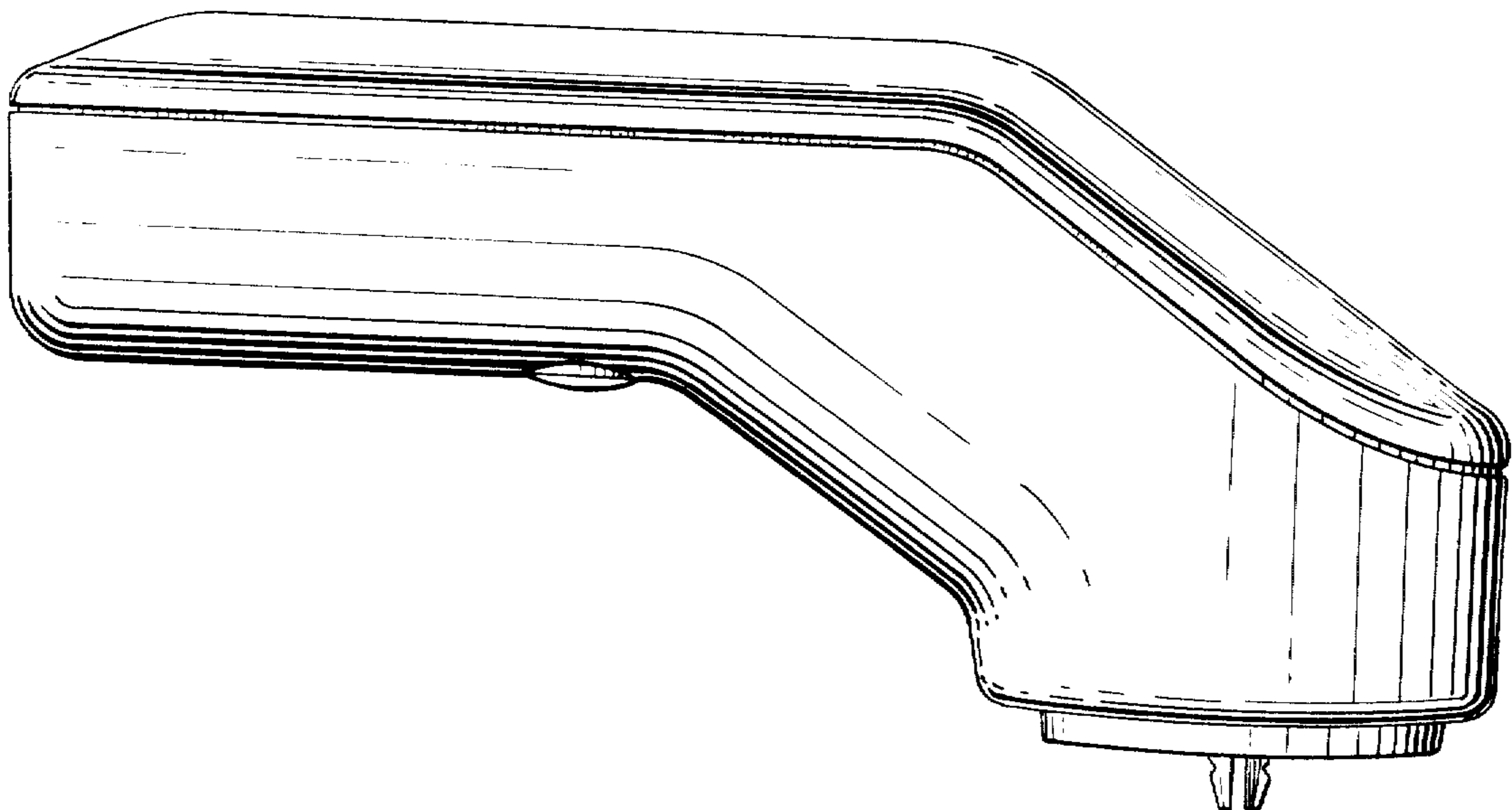


FIG. 1

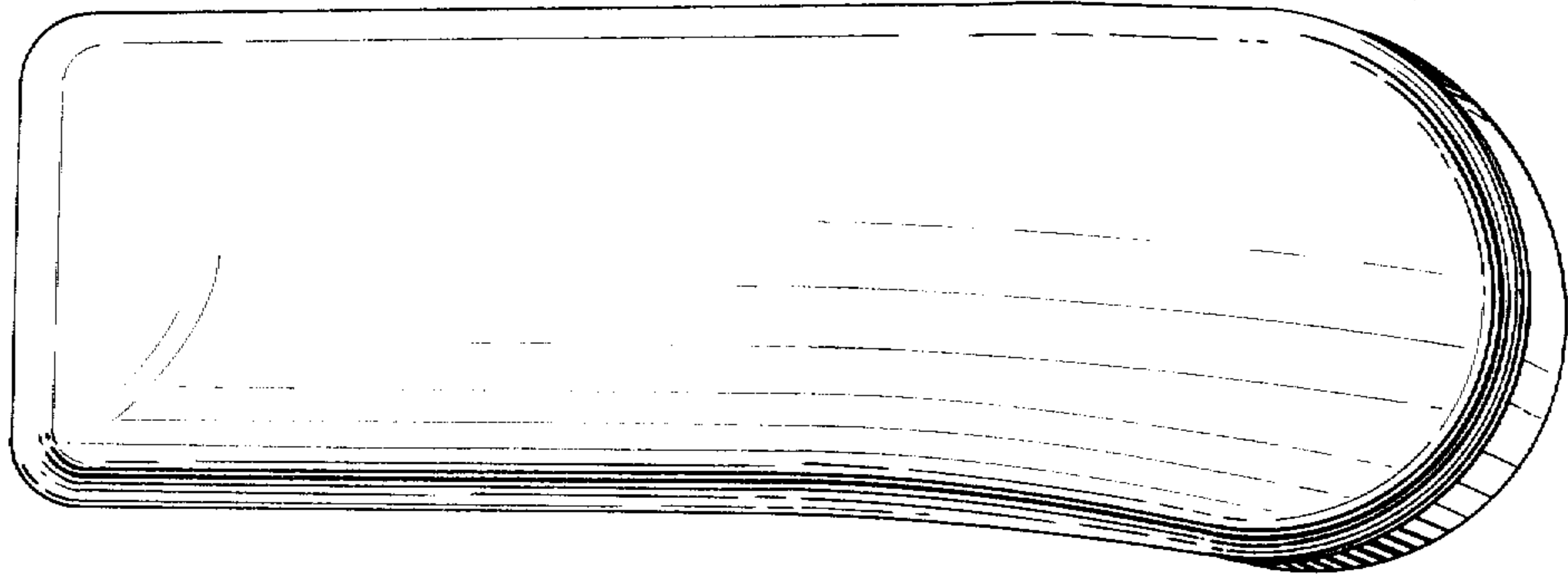


FIG. 2

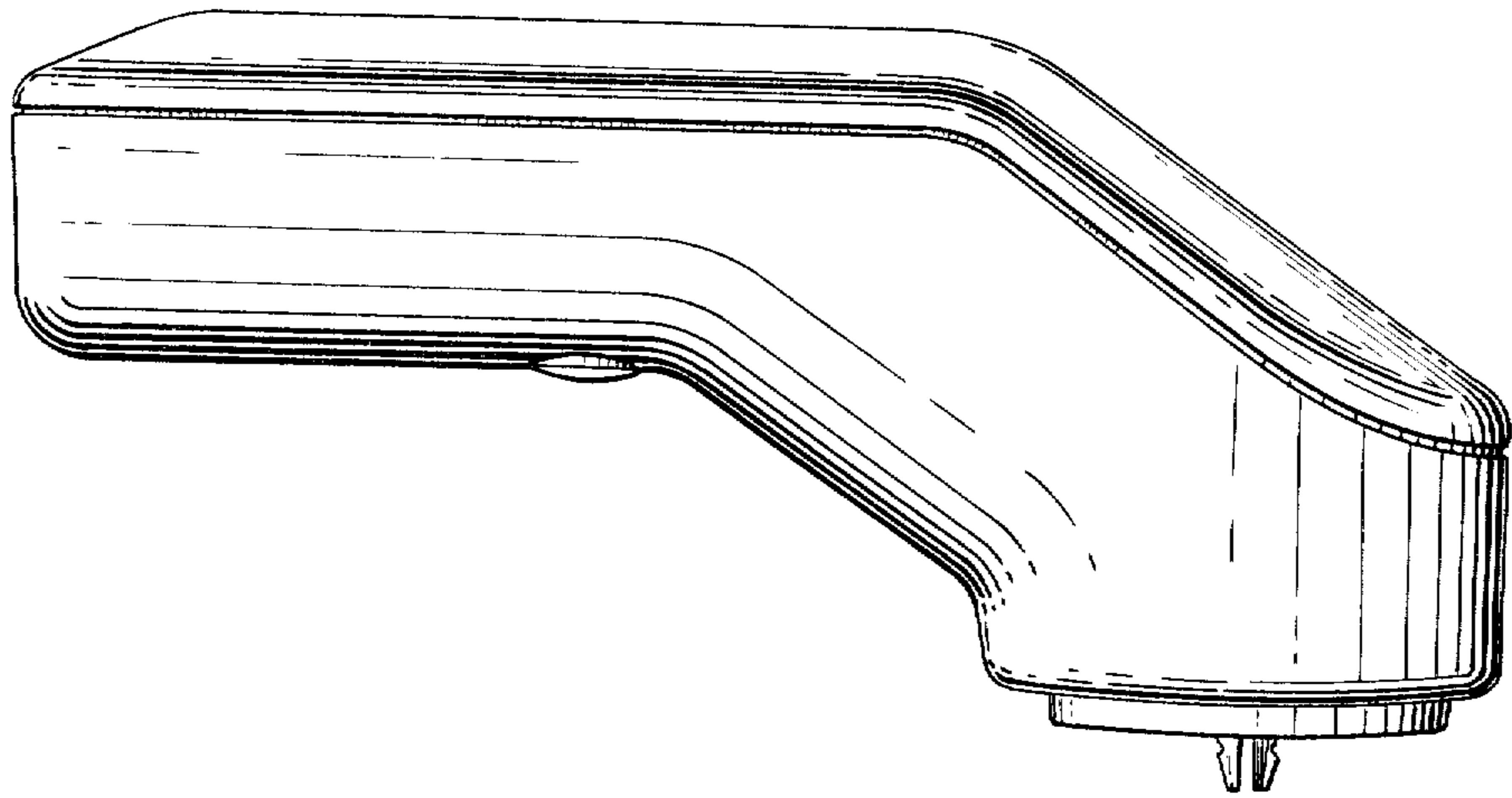


FIG. 3

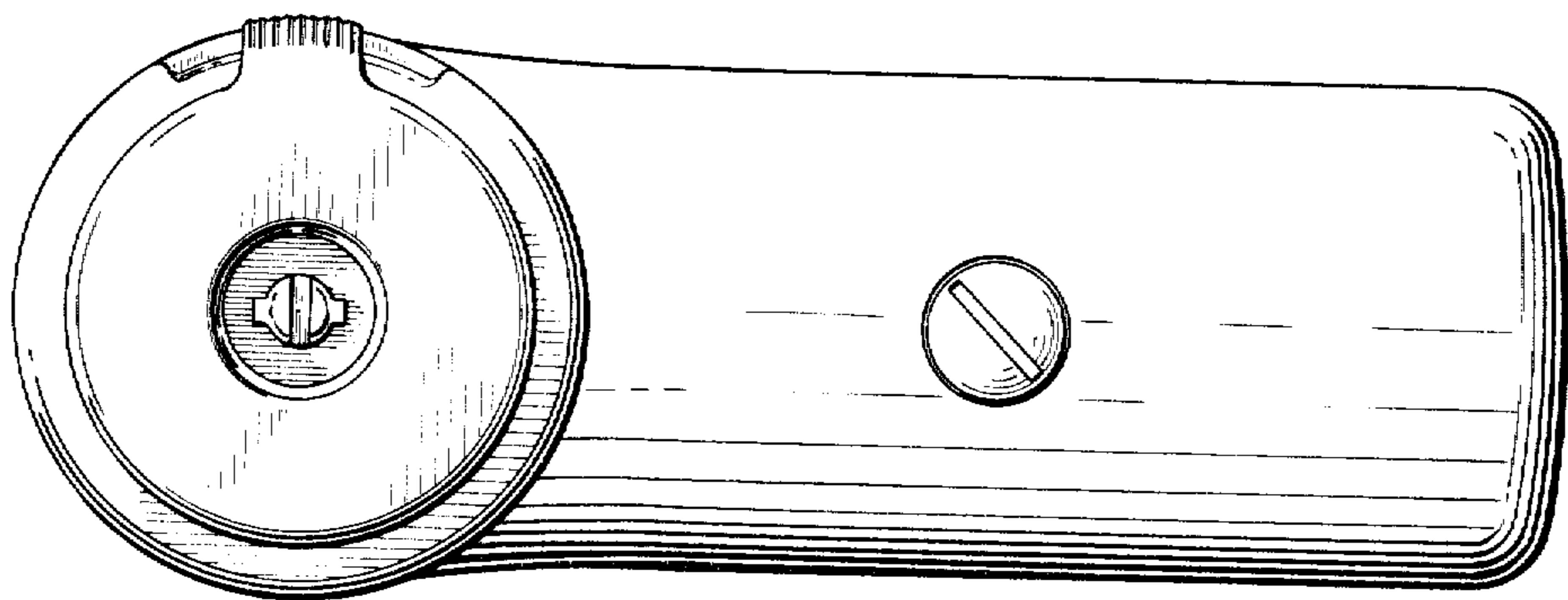


FIG. 4

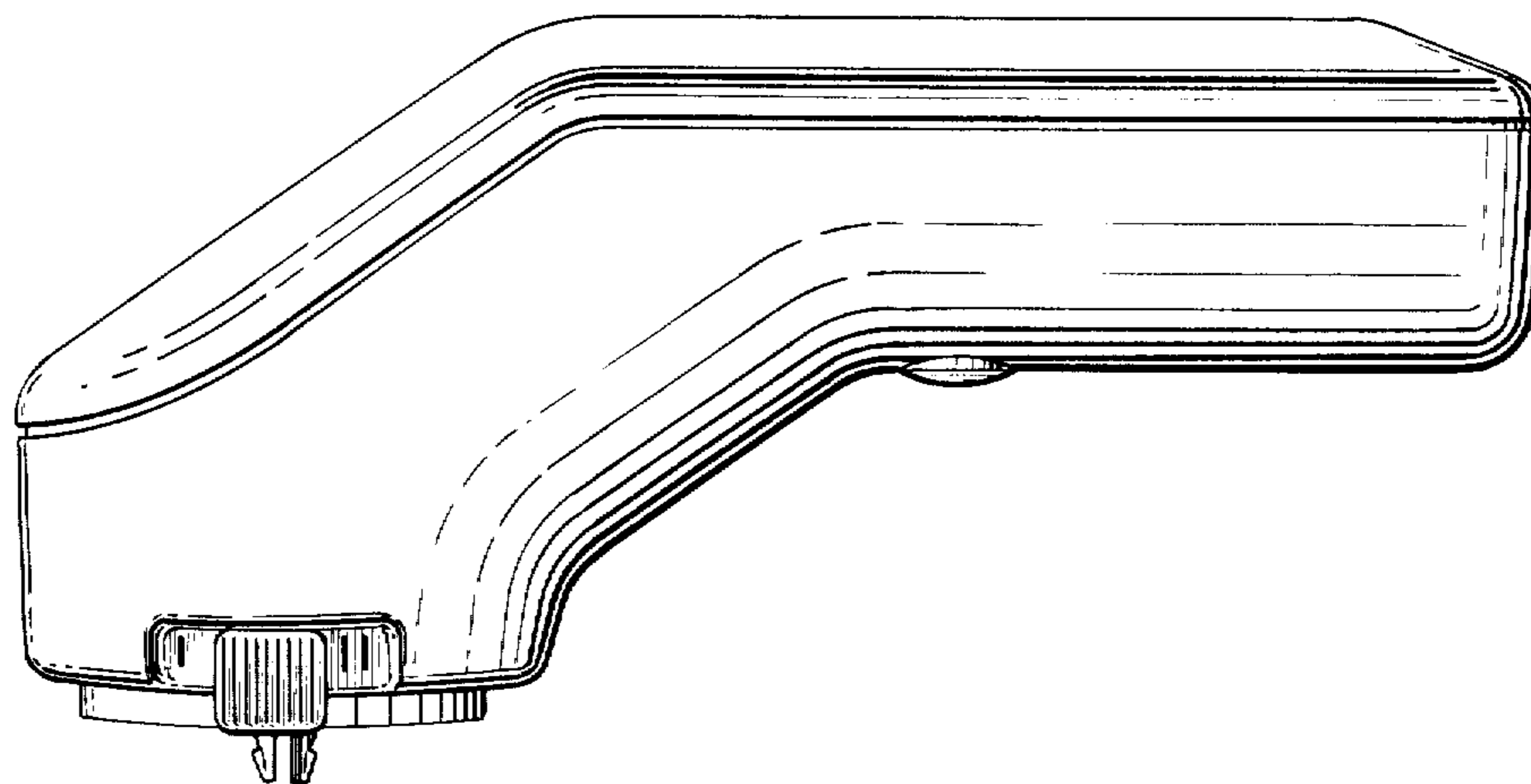
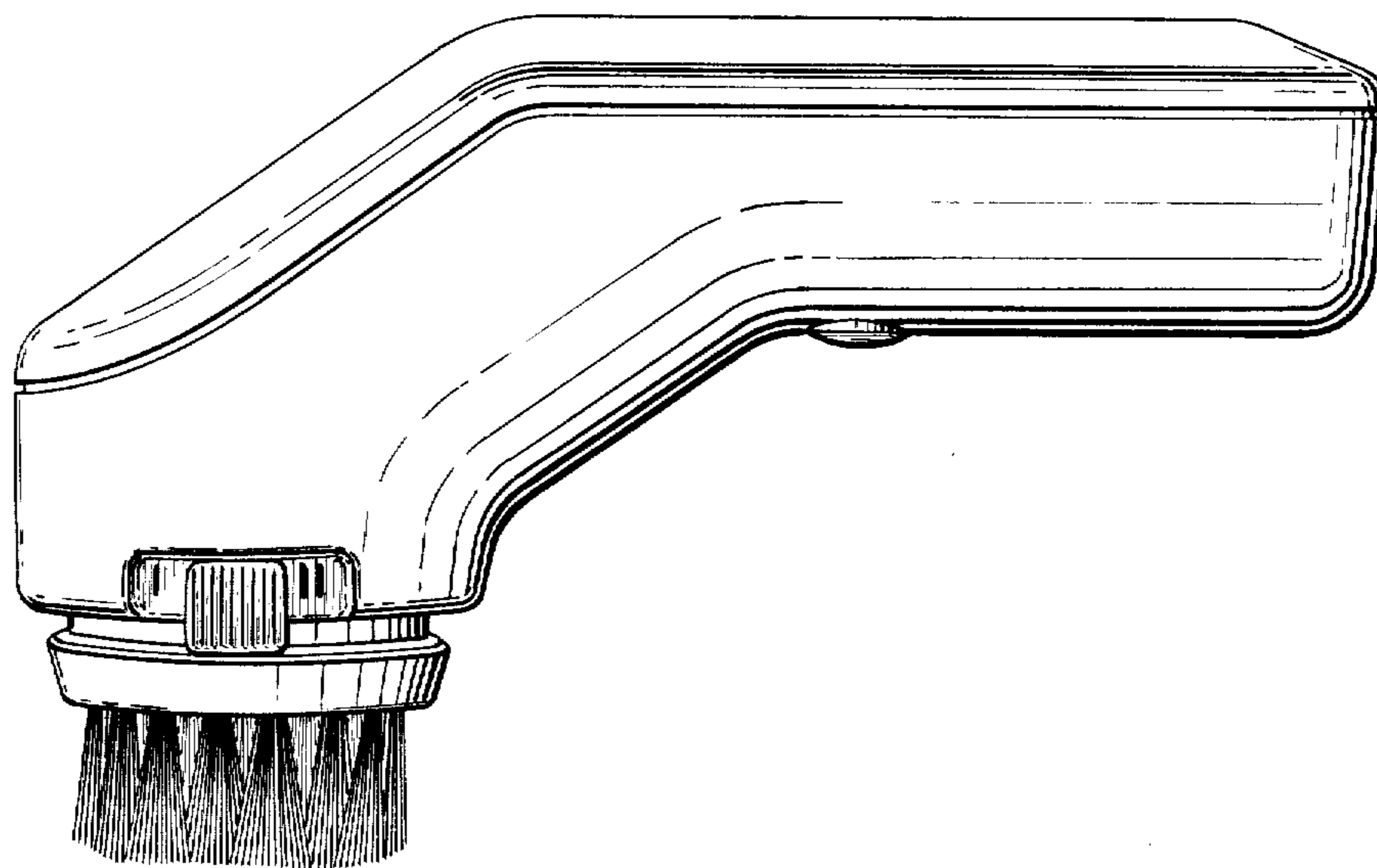


FIG. 5



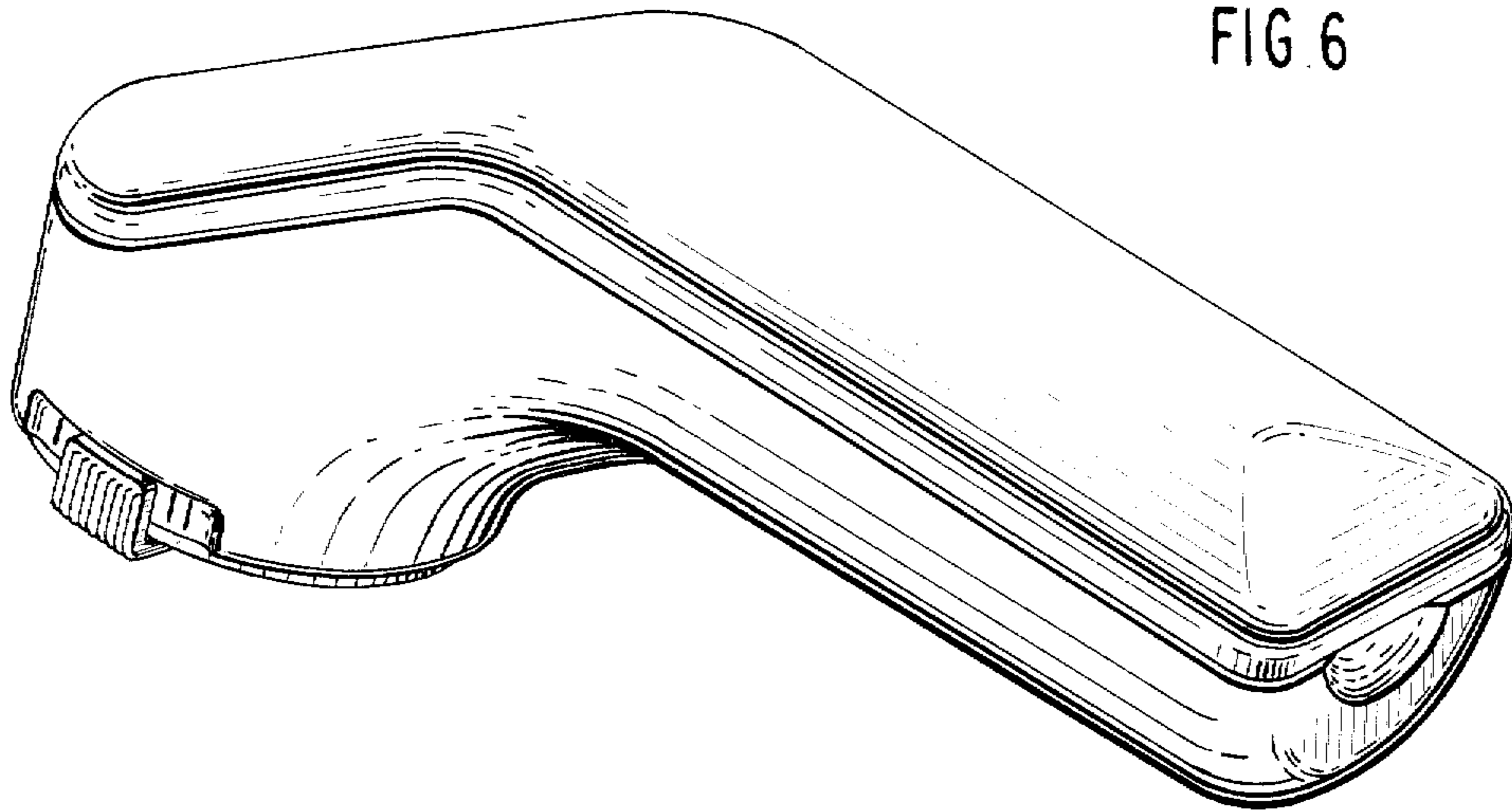


FIG. 6

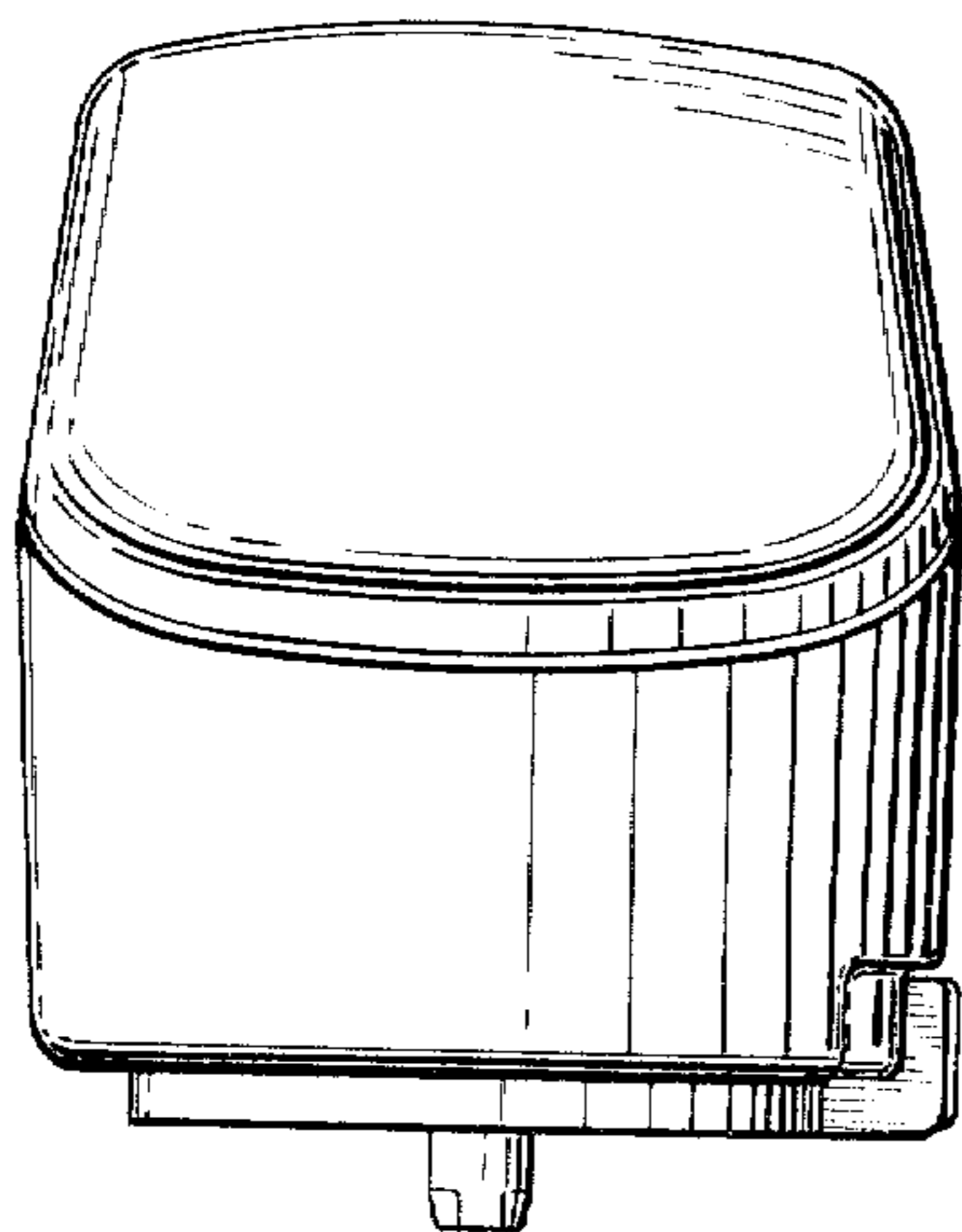


FIG. 7

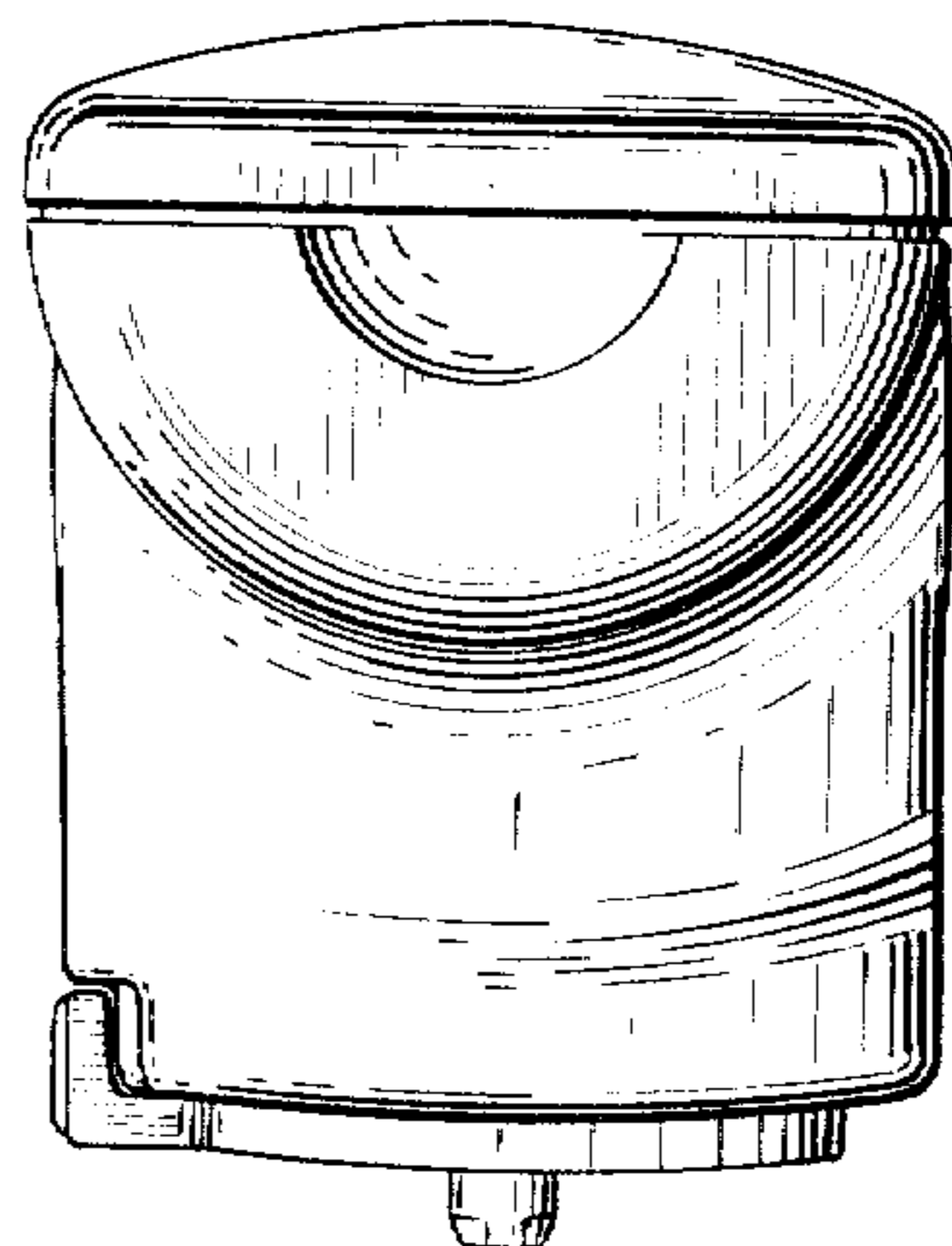


FIG. 8