

[54] X-RAY FILM PROCESSOR
[76] Inventor: Warren G. Fischer, 4N003 Wildrose Rd., St. Charles, Ill. 60174
[**] Term: 14 Years
[21] Appl. No.: 100,965
[22] Filed: Dec. 6, 1979
[51] Int. Cl. D24—01
[52] U.S. Cl. D24/2
[58] Field of Search D24/2; 250/477;
354/299, 319-322

3,747,499 7/1973 Foster 354/322
4,086,607 4/1978 Muller 354/322
4,143,959 3/1979 Fischer 354/322

Primary Examiner—Peter M. Caun
Attorney, Agent, or Firm—Eugene F. Friedman

[57] CLAIM

The ornamental design for x-ray film processor, substantially as shown and described.

DESCRIPTION

FIG. 1 is a perspective view of an x-ray film processor showing my new design from the rear, a front side, and the top;

FIG. 2 is a side elevational view thereof showing the side opposite to that seen in FIG. 1;

FIG. 3 is a perspective view showing the front, the same side as in FIG. 2, and the top.

[56] References Cited
U.S. PATENT DOCUMENTS
3,727,533 4/1973 Perl 250/477

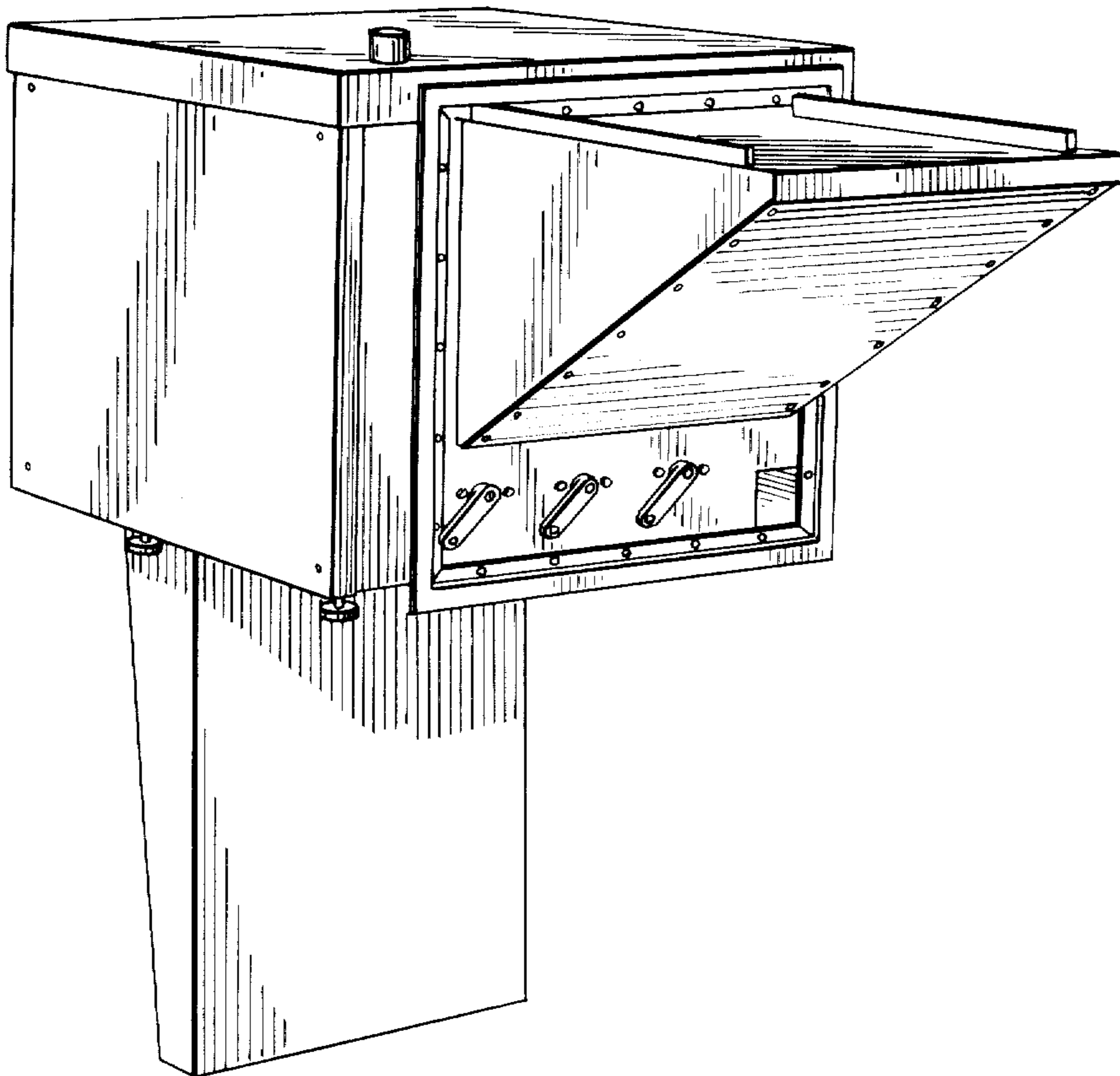


FIG. 1

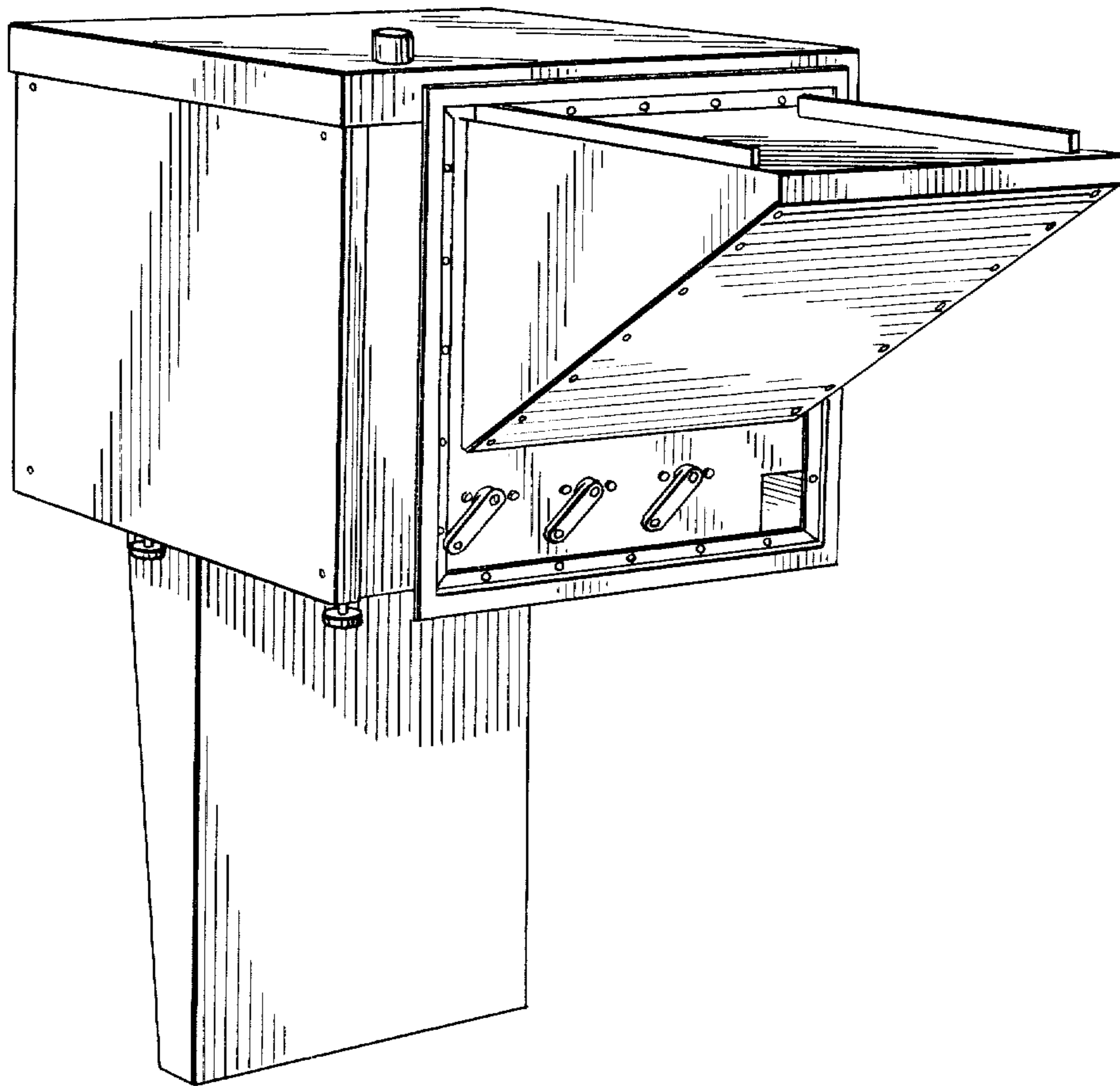


FIG. 2

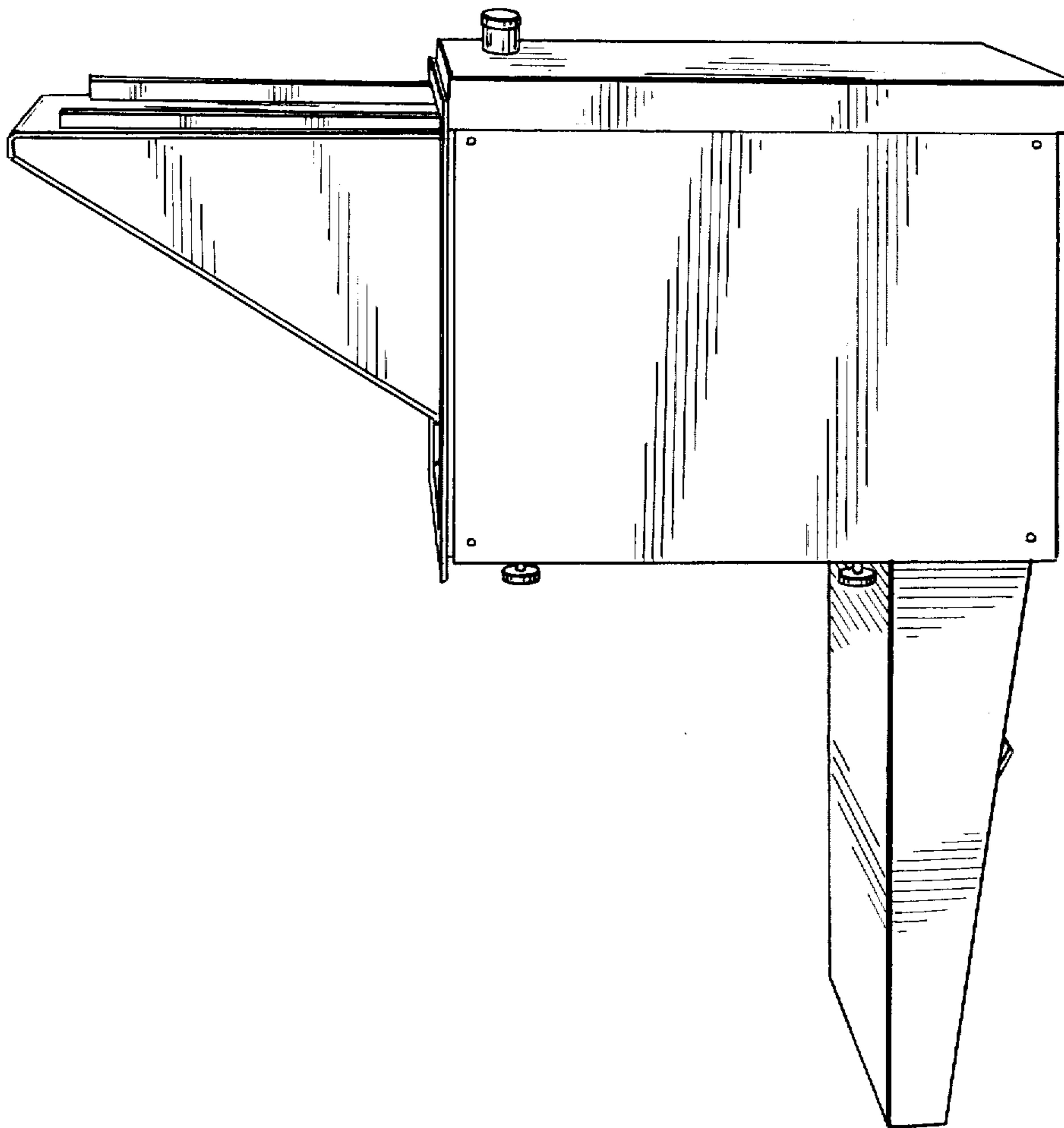


FIG. 3

