

[54] WOOD BURNING STOVE OR SIMILAR ARTICLE

[76] Inventor: Laurence J. Antone, Star Rte., Dalton, Mass. 01226

[**] Term: 14 Years

[21] Appl. No.: 125,377

[22] Filed: Feb. 28, 1980

[51] Int. Cl. D23-03

[52] U.S. Cl. D23/97

[58] Field of Search D23/72, 92-97, D23/105, 107, 118, 119, 127, 128; 126/4, 6, 58-68, 120, 121, 123, 135, 136, 138

[56] References Cited

U.S. PATENT DOCUMENTS

D. 249,807 10/1978 England D23/97

D. 253,068 10/1979 Ross D23/97

Primary Examiner—Catherine E. Kemper

[57] CLAIM

The ornamental design for a wood burning stove or similar article, as shown and described.

DESCRIPTION

FIG. 1 is a front perspective view of a wood burning stove or similar article, showing my new design; FIG. 2 is a rear perspective view thereof; FIG. 3 is a front elevational view thereof.

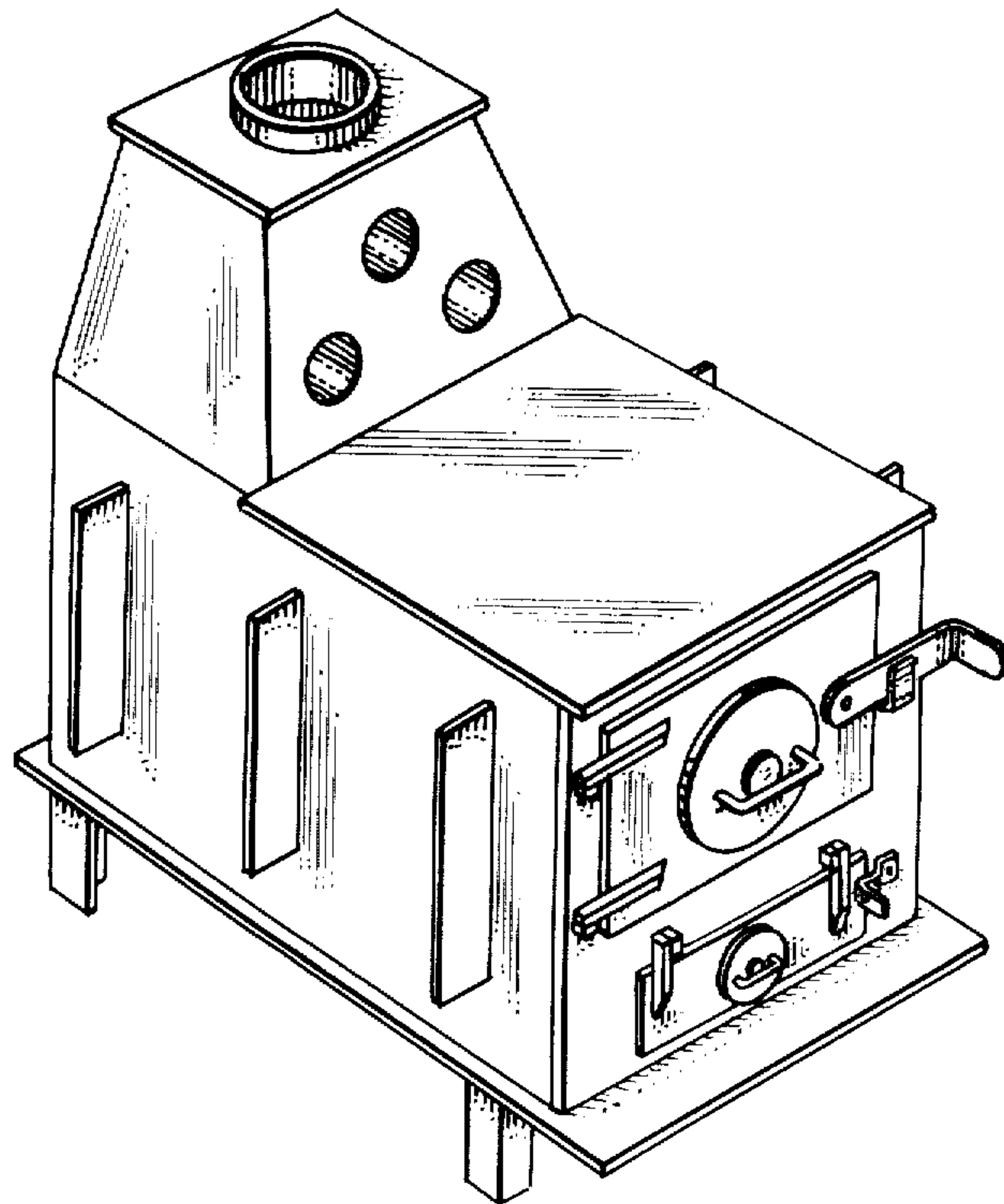


Fig. 1.

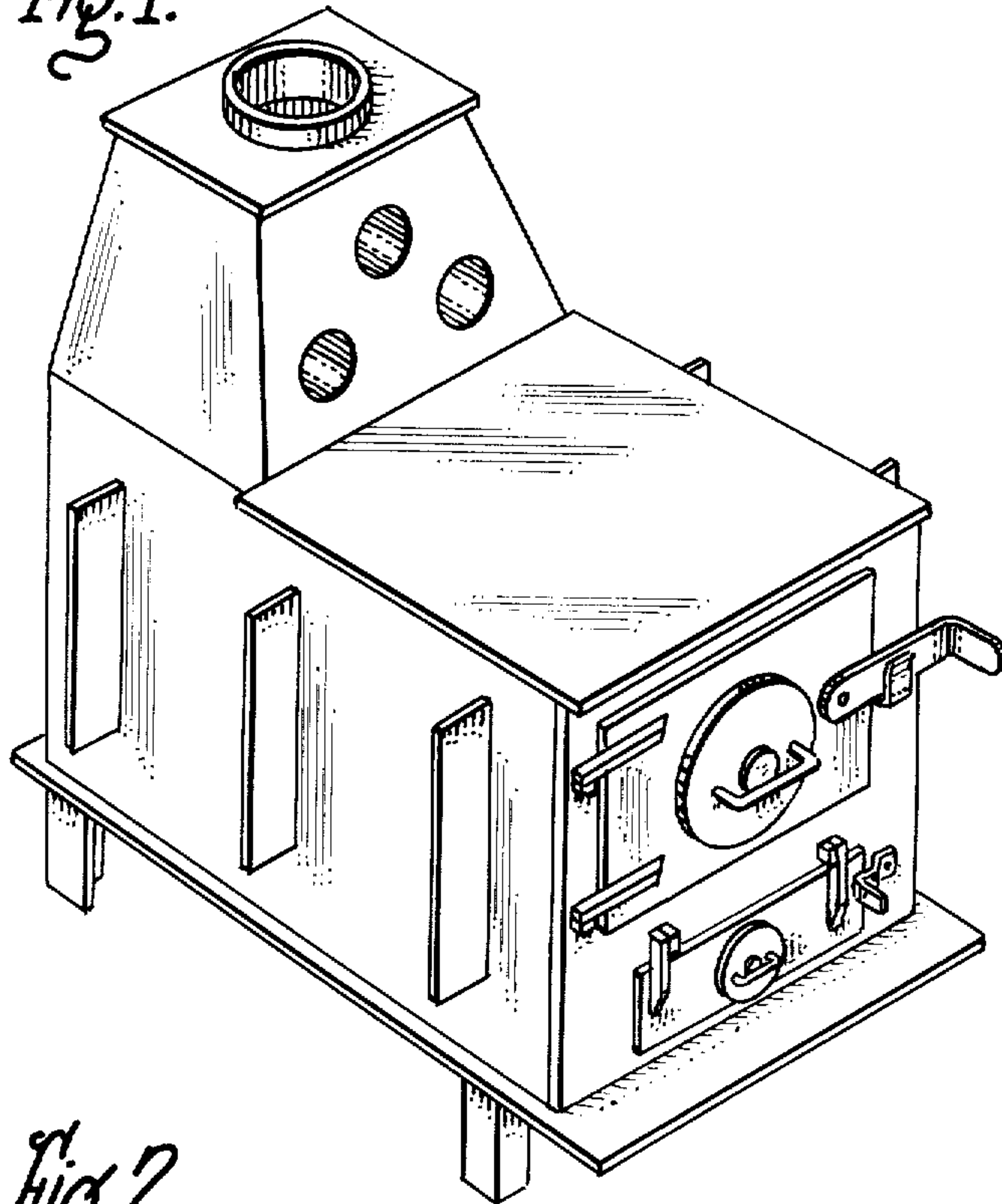


Fig. 2.

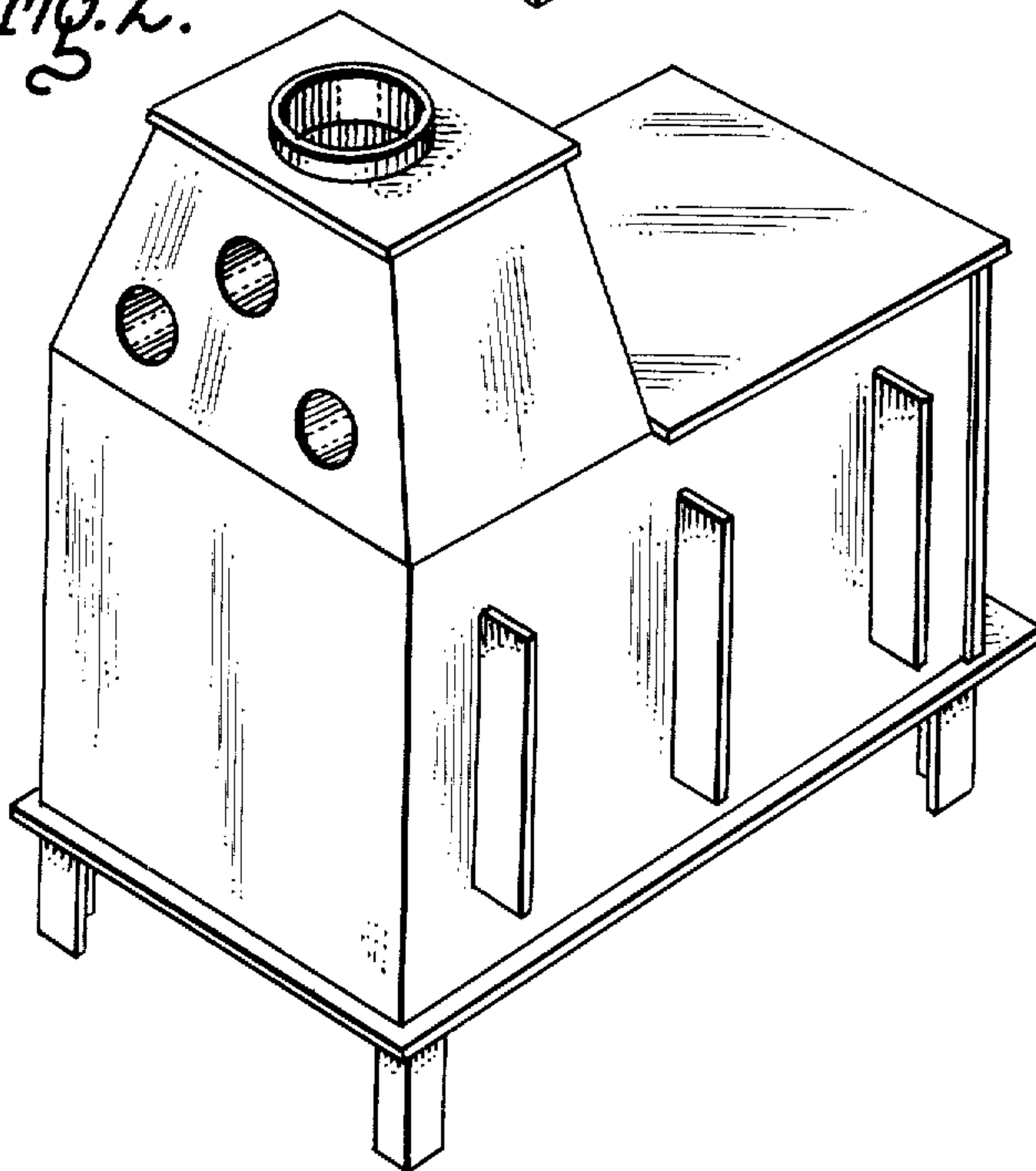


Fig. 3.

