

[54] WOOD BURNING STOVE INSERT FOR FIREPLACE

[75] Inventor: Hal Larson, Walla Walla, Wash.

[73] Assignee: Woodcutters Manufacturing, Inc., Walla Walla, Wash.

[**] Term: 14 Years

[21] Appl. No.: 126,039

[22] Filed: Feb. 29, 1980

[51] Int. Cl. D23-03

[52] U.S. Cl. D23/93

[58] Field of Search D23/72, 92-97, D23/105, 127, 128, 86, 89, 107, 108; D7/112-114; 126/4, 6, 58, 60-66, 120, 121, 123, 126

[56] References Cited

U.S. PATENT DOCUMENTS

D. 250,541 12/1978 Chinn et al. D23/97

Primary Examiner--Catherine E. Kemper
Attorney, Agent, or Firm--Chernoff & Vilhauer

[57] CLAIM

The ornamental design for a wood burning stove insert for fireplace, as shown.

DESCRIPTION

FIG. 1 is a perspective view of a wood burning stove insert for fireplace, showing my new design; FIG. 2 is a left side elevational view thereof; FIG. 3 is a rear elevational view thereof; FIG. 4 is a right side elevational view thereof; FIG. 5 is a front elevational view thereof; and FIG. 6 is a plan view thereof.

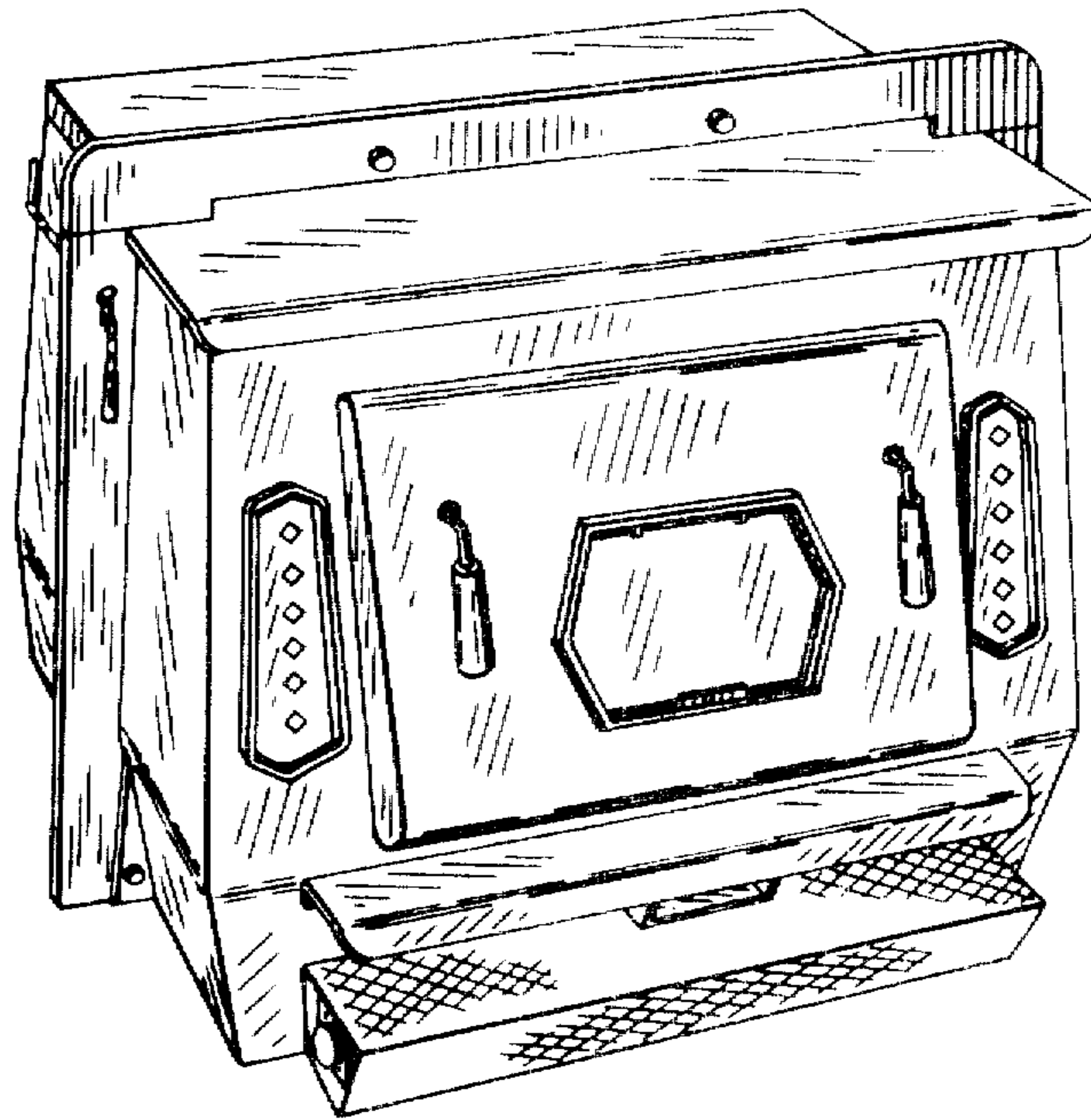


FIG. 1

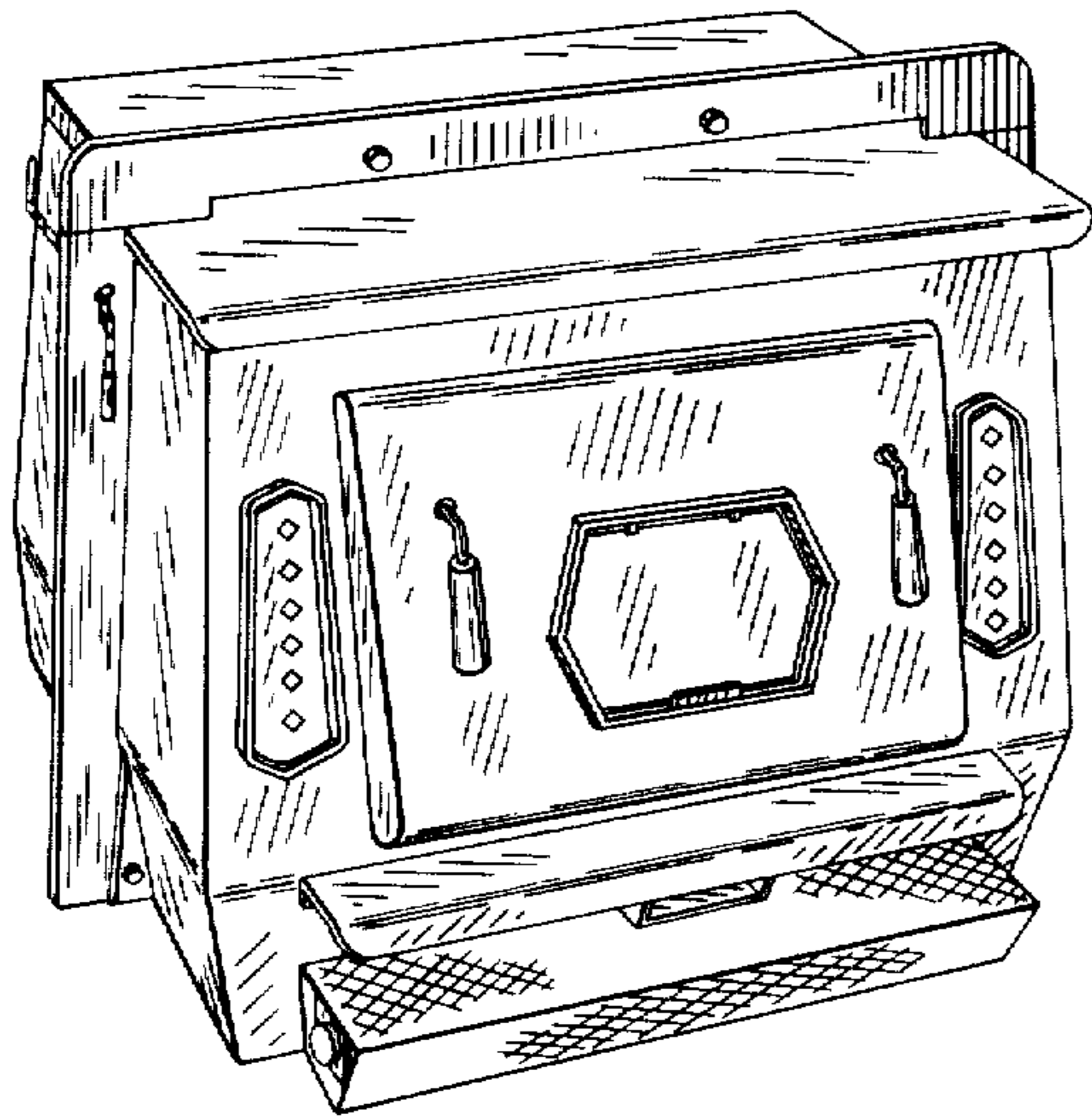


FIG. 2

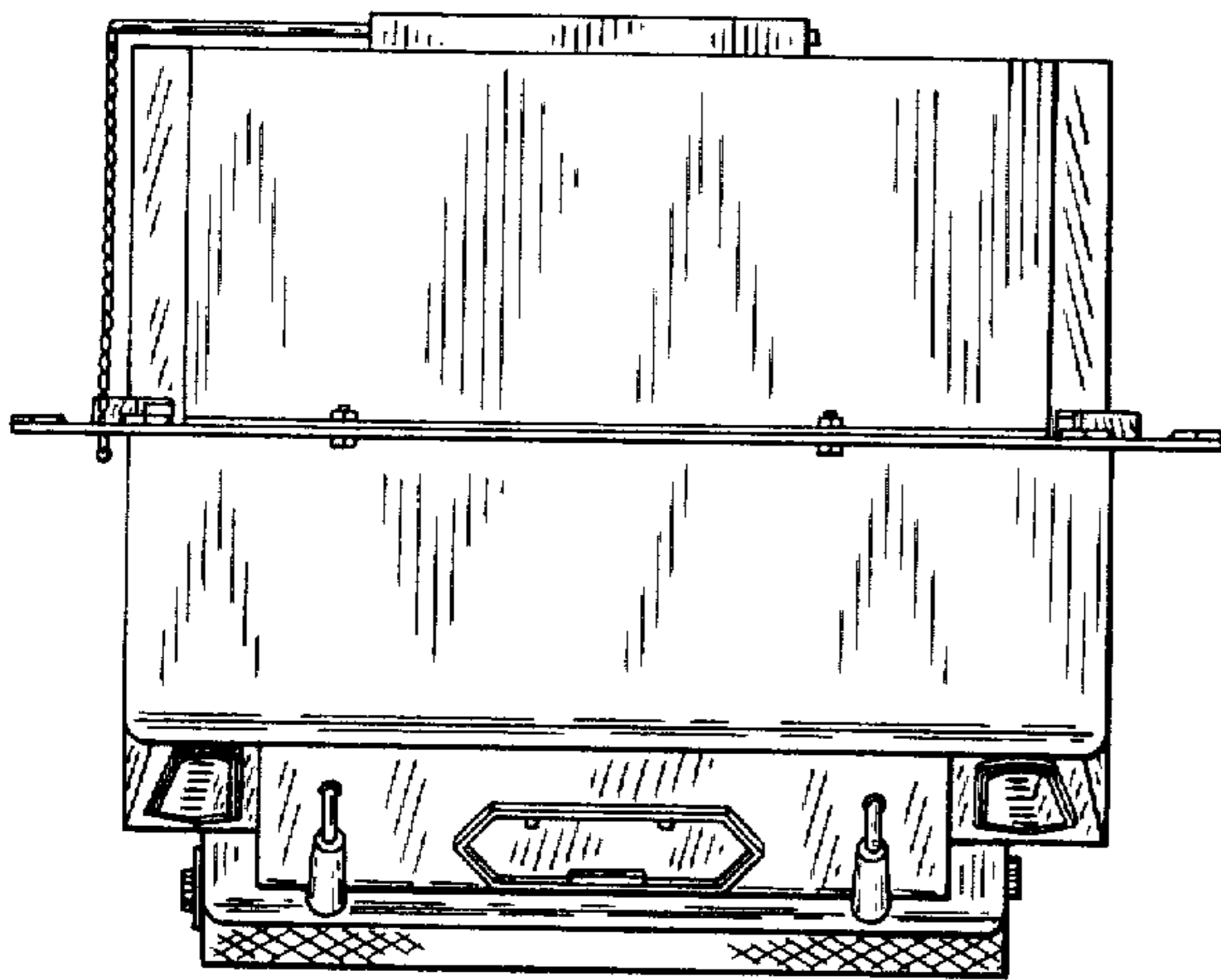
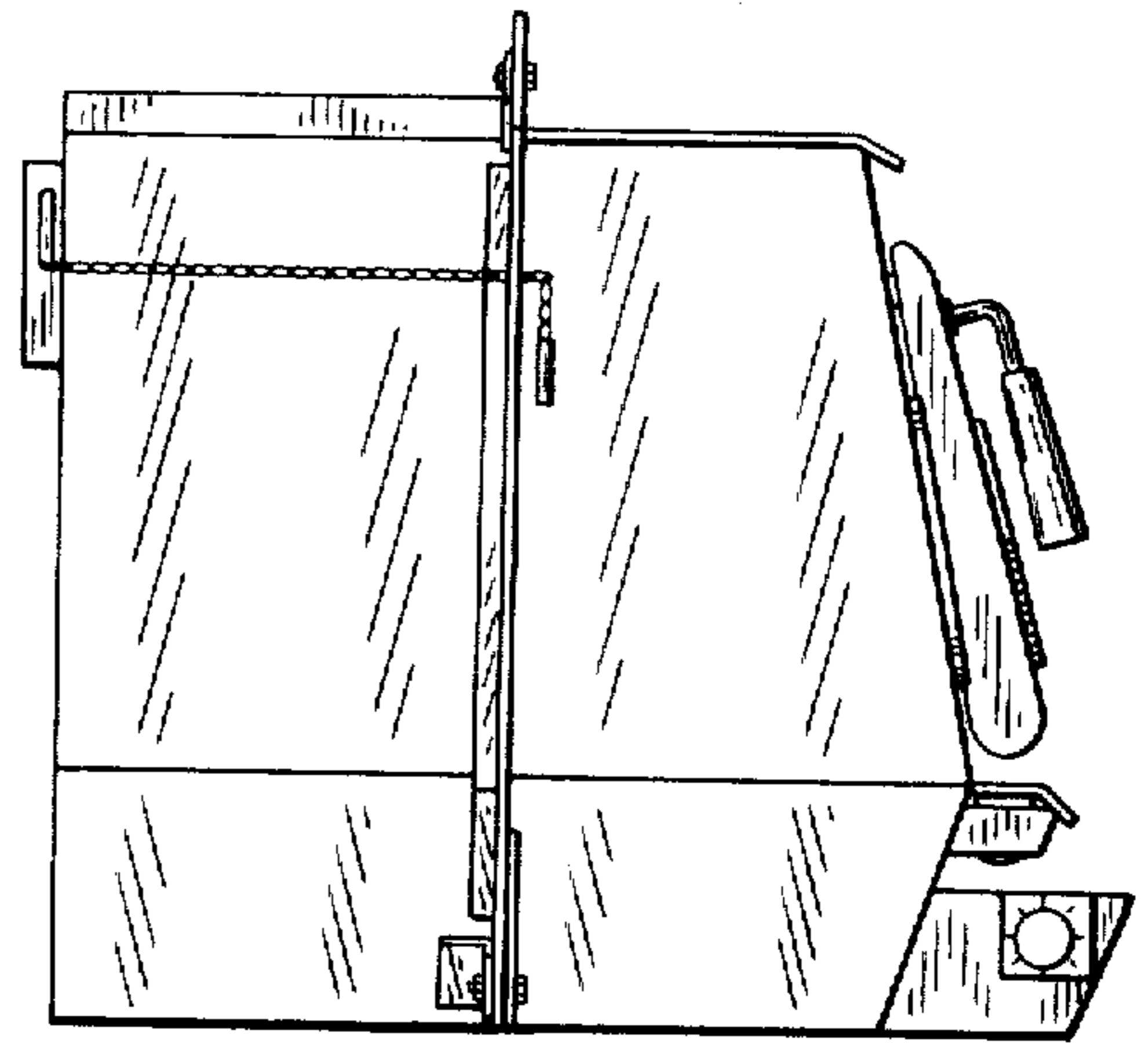


FIG. 3

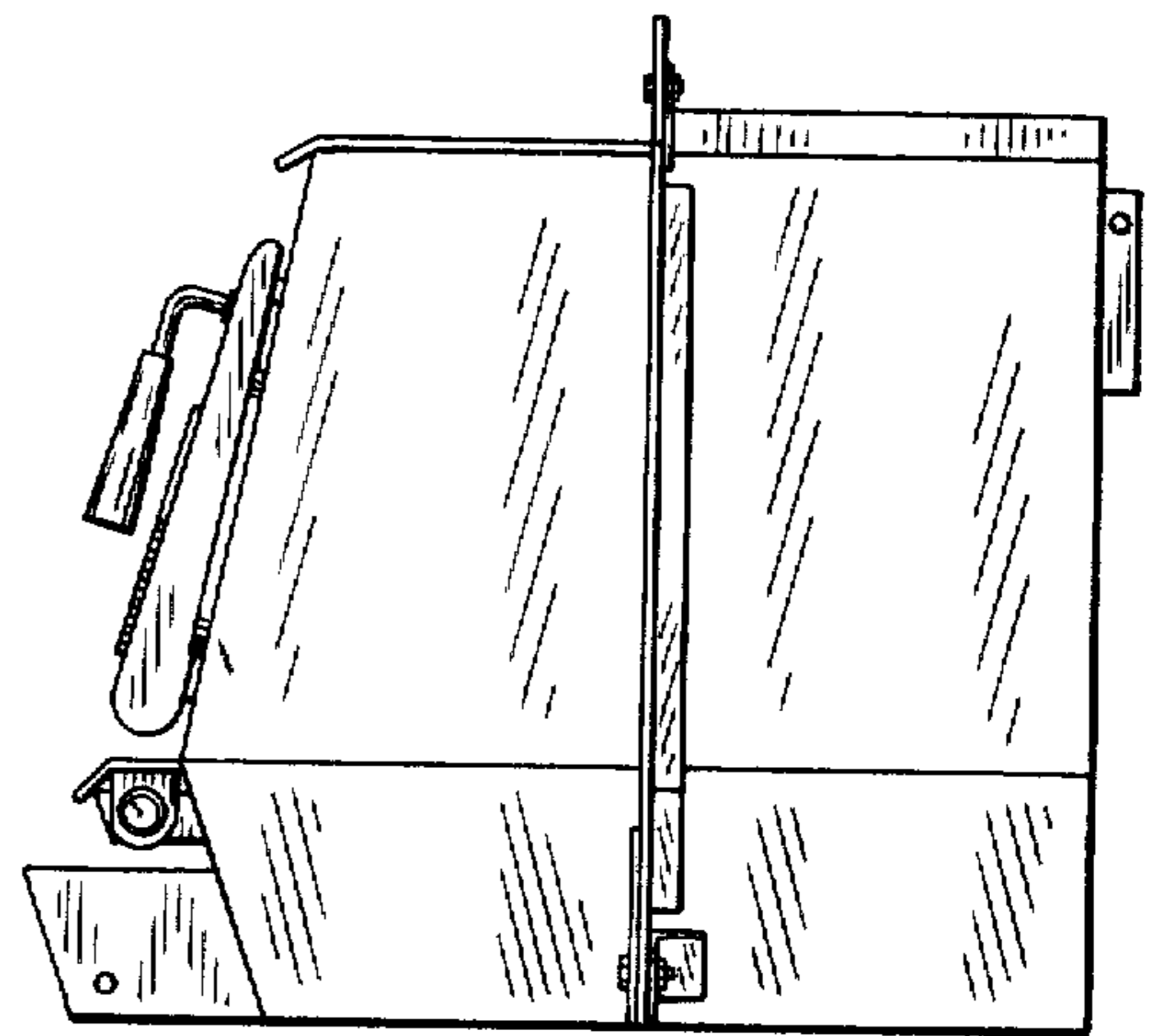


FIG. 4

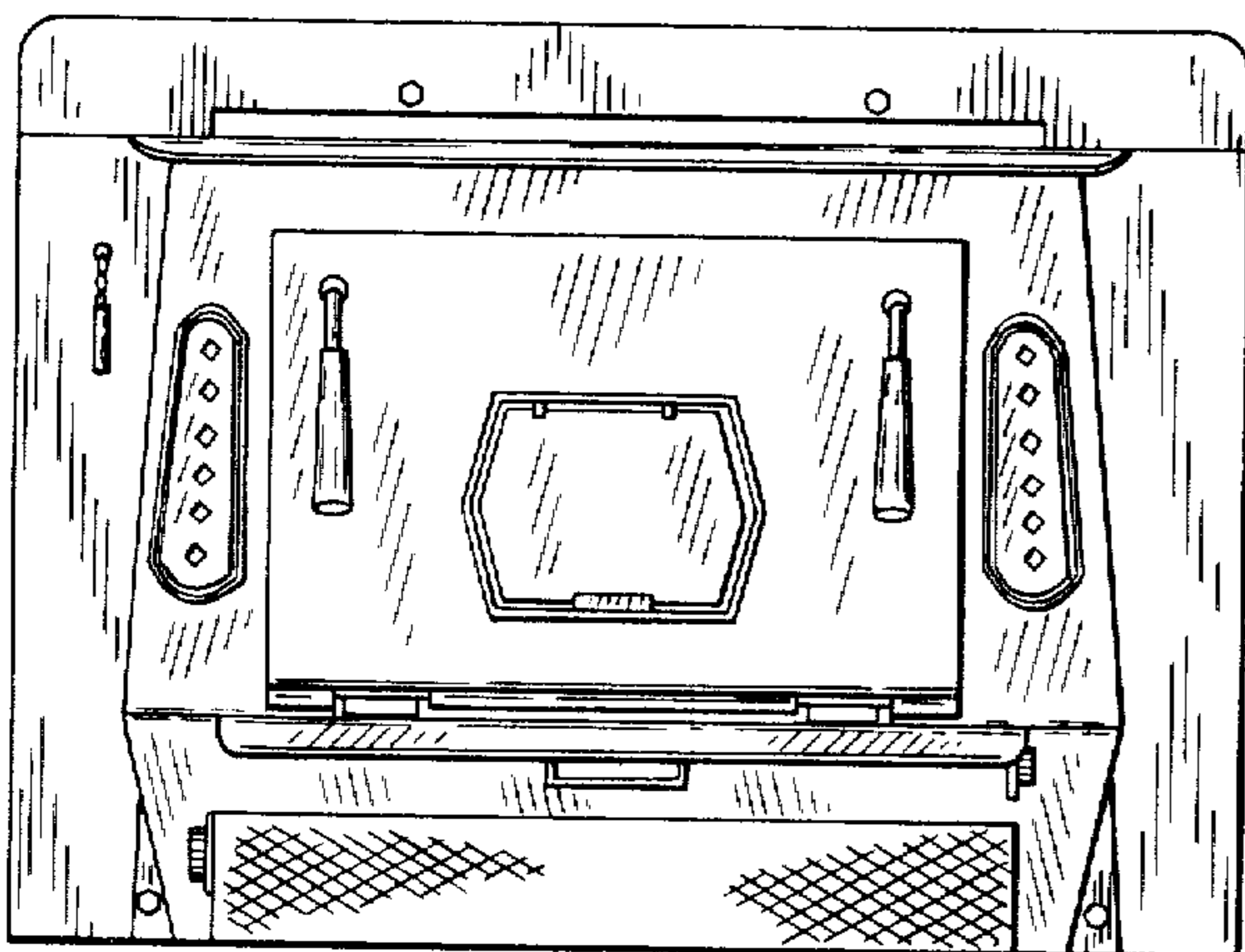


FIG. 5

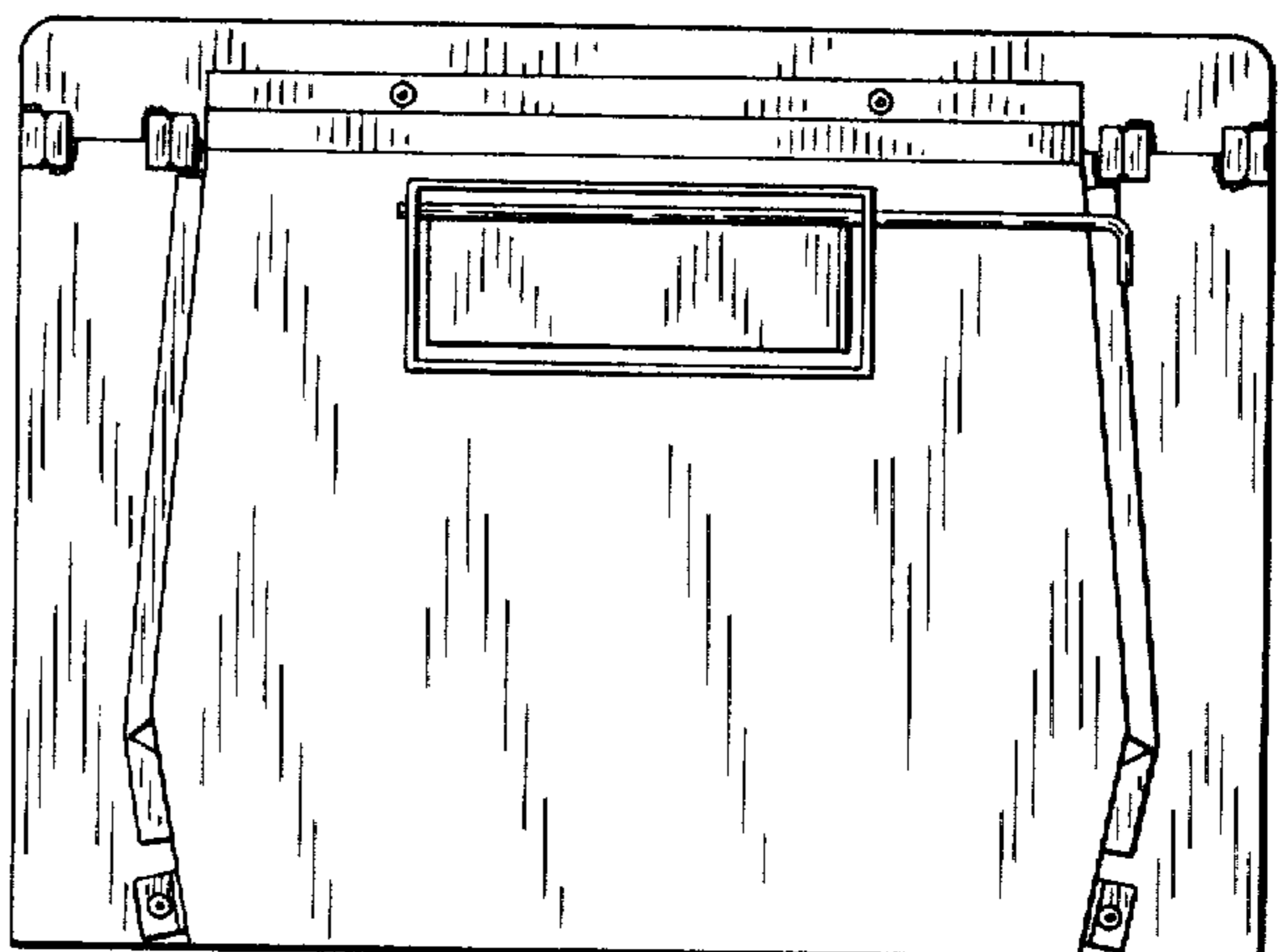


FIG. 6