

[54] COMBINED LAVATORY SPOUT AND DRAIN CONTROL

[75] Inventors: Gary A. Fleischmann, Sheboygan, Wis.; Lawrence C. Peabody, Rindge, N.H.

[73] Assignee: Kohler Co., Kohler, Wis.

[\*\*] Term: 14 Years

[21] Appl. No.: 147,751

[22] Filed: May 8, 1980

[51] Int. Cl. .... D23-01

[52] U.S. Cl. .... D23/32

[58] Field of Search ..... D23/23-33; 137/119, 360, 467, 801

[56] References Cited

U.S. PATENT DOCUMENTS

D. 25,950	8/1896	Totham	.....	D23/32
D. 46,032	6/1914	Mueller et al.	.....	D23/23
D. 117,171	10/1939	Fraser	.....	D23/23
D. 207,984	6/1967	Maguiro	.....	D23/26
D. 209,380	11/1967	DuBois	.....	D23/32
D. 211,343	6/1968	Jones	.....	D23/23

D. 235,099 5/1975 Doman ..... D23/32

OTHER PUBLICATIONS

Interiors, Jun. 1961, p. 142, left center item.

Primary Examiner—James R. Largen

Attorney, Agent, or Firm—Quarles & Brady

[57] CLAIM

The ornamental design for a combined lavatory spout and drain control, as shown and described.

DESCRIPTION

FIG. 1 is a perspective view of a lavatory faucet showing our new design;

FIG. 2 is a top plan view thereof;

FIG. 3 is a side elevational view thereof;

FIG. 4 is a front elevational view thereof;

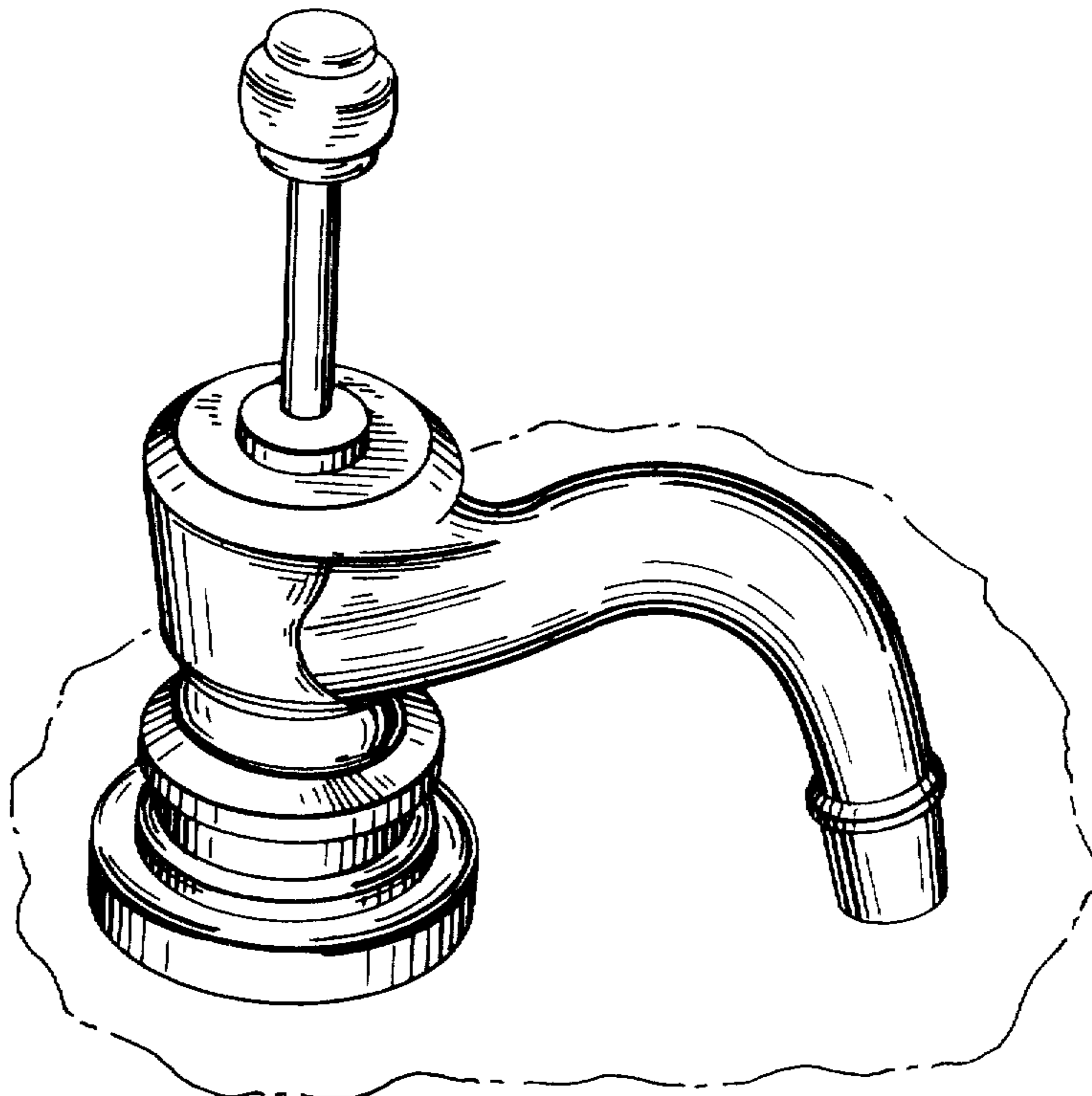
FIG. 5 is a rear elevational view thereof;

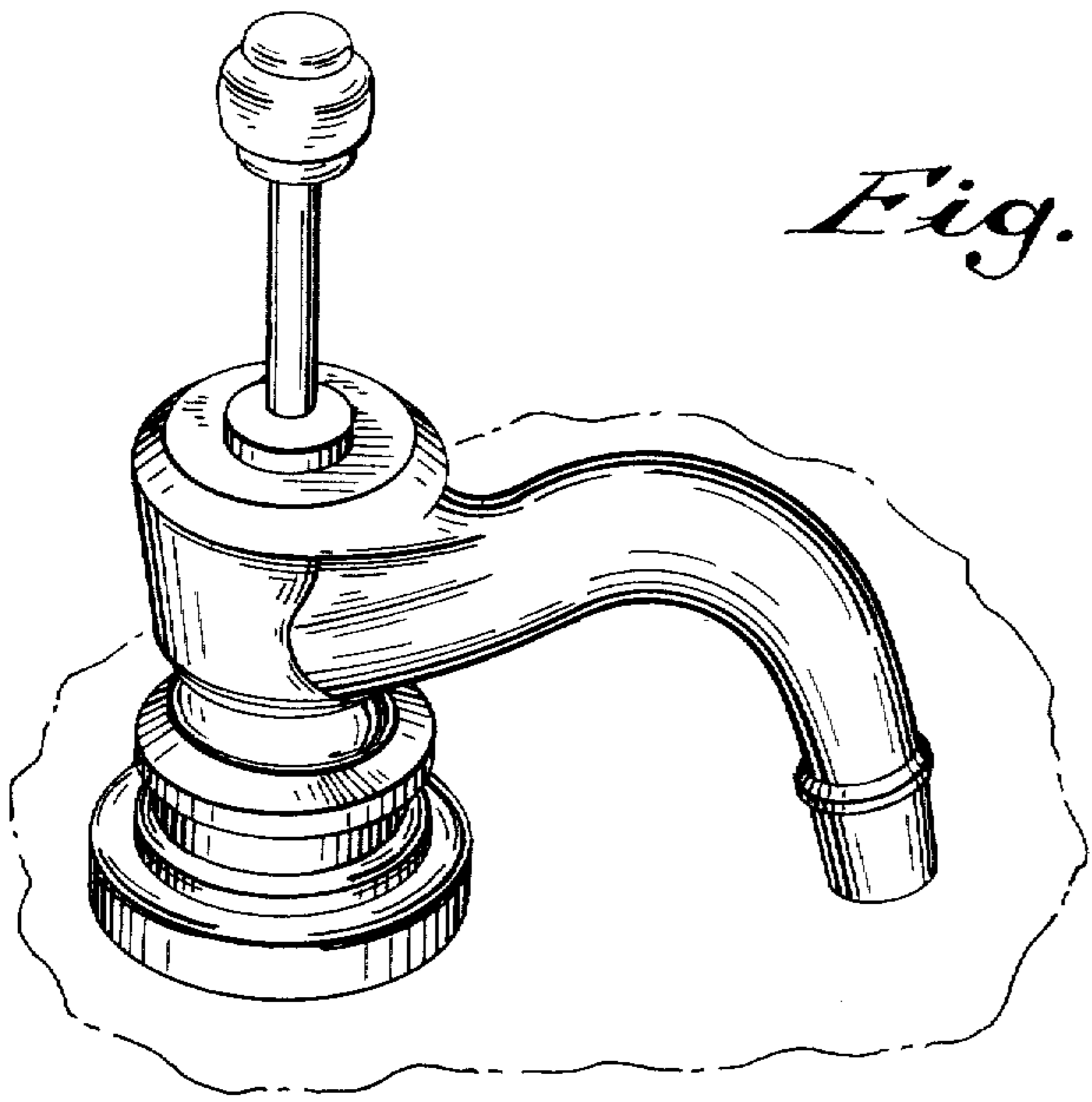
FIG. 6 is a top plan view of a modified form of the combined lavatory spout and drain control shown in FIG. 1;

FIG. 7 is a side elevational view of FIG. 6; and

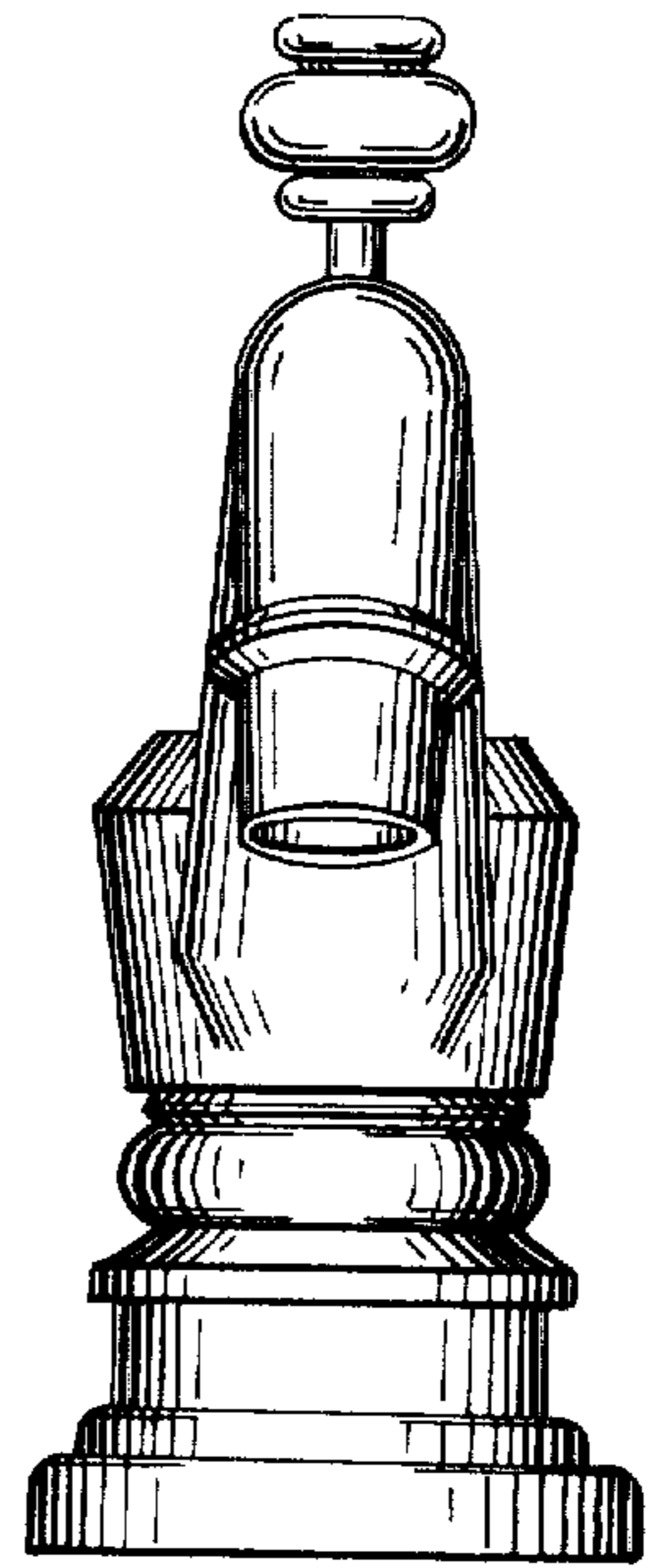
FIG. 8 is a front elevational view of FIG. 6.

The fragmentary broken line representation of a lavatory top in FIG. 1 is for purposes of illustration only.

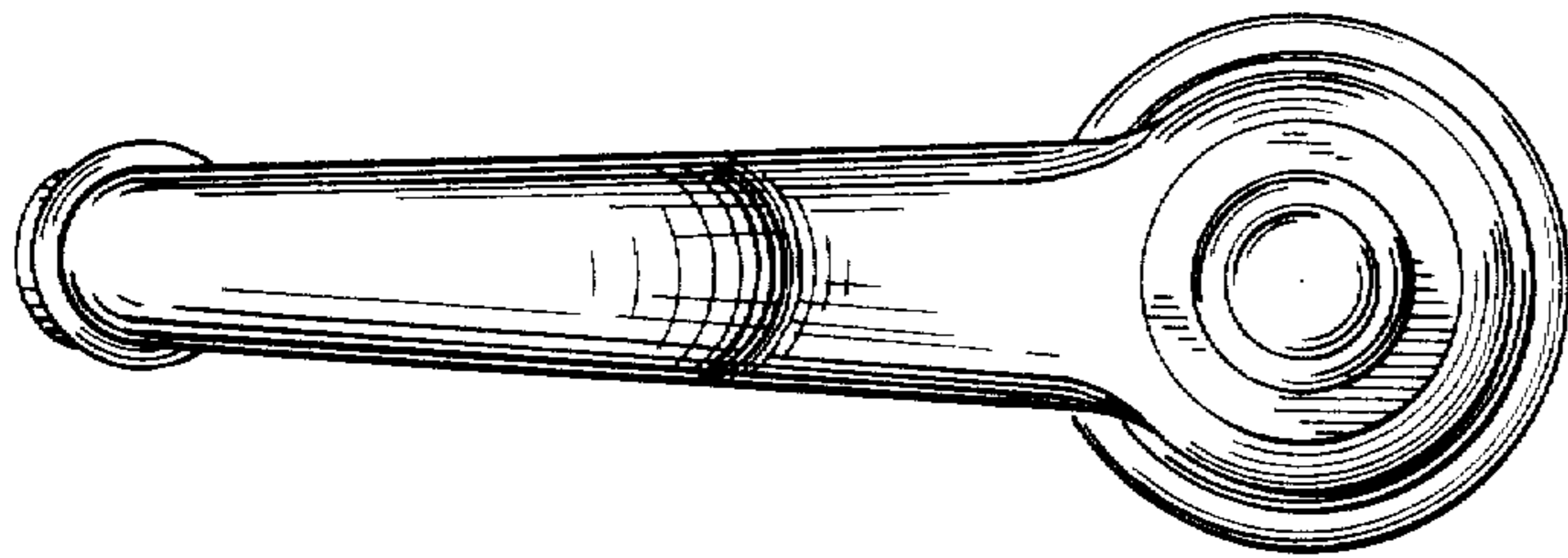




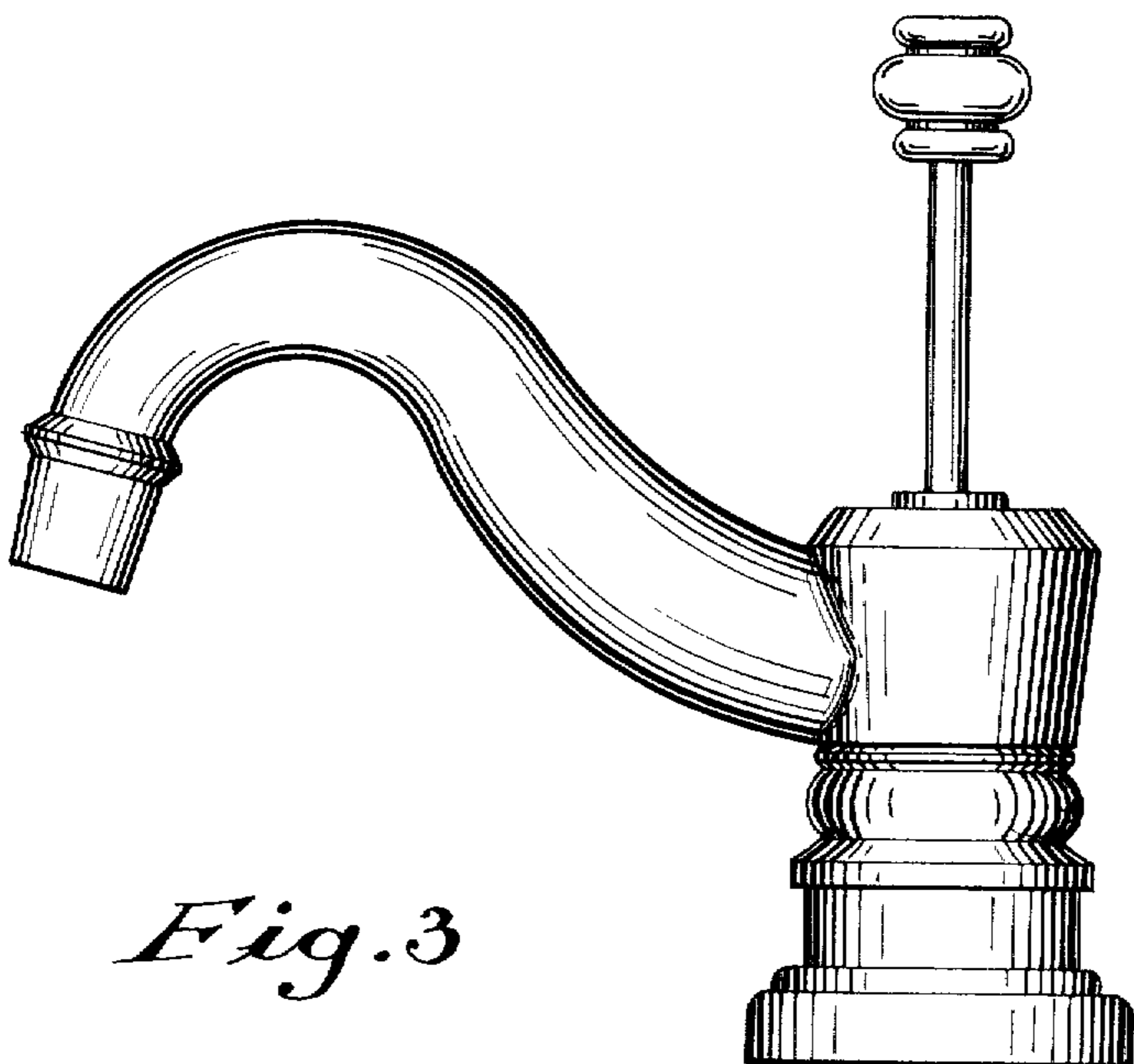
*Fig. 1*



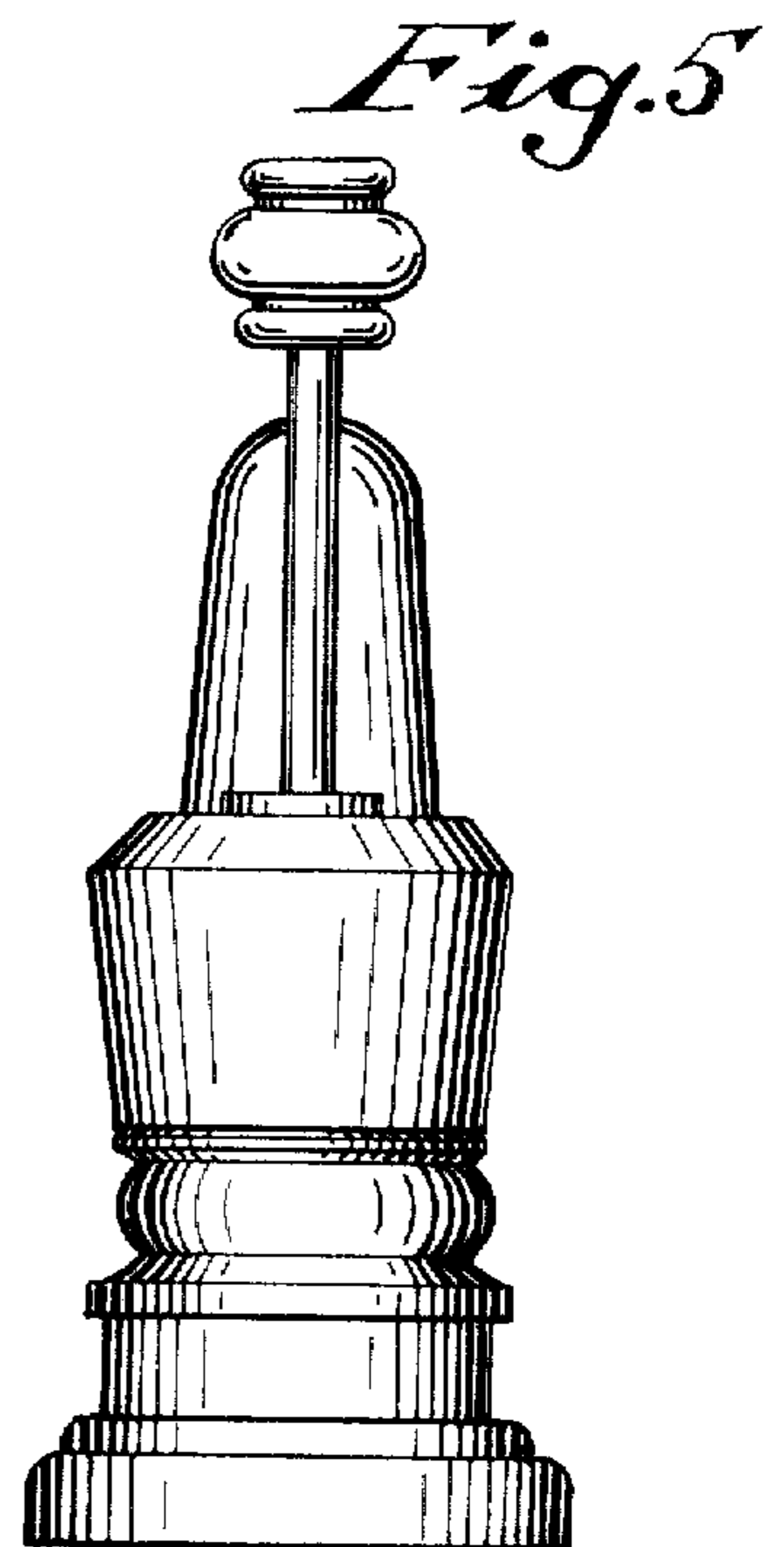
*Fig. 4*



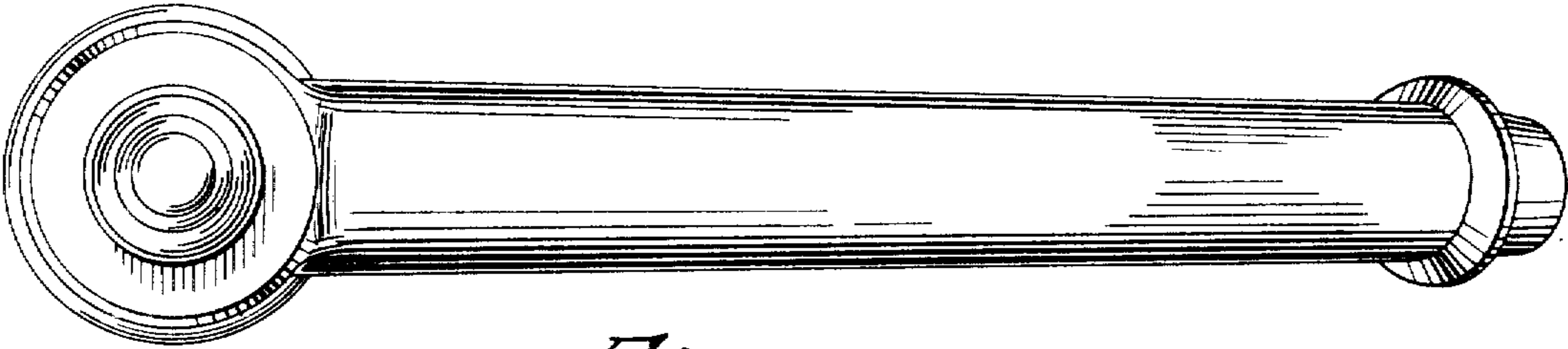
*Fig. 2*



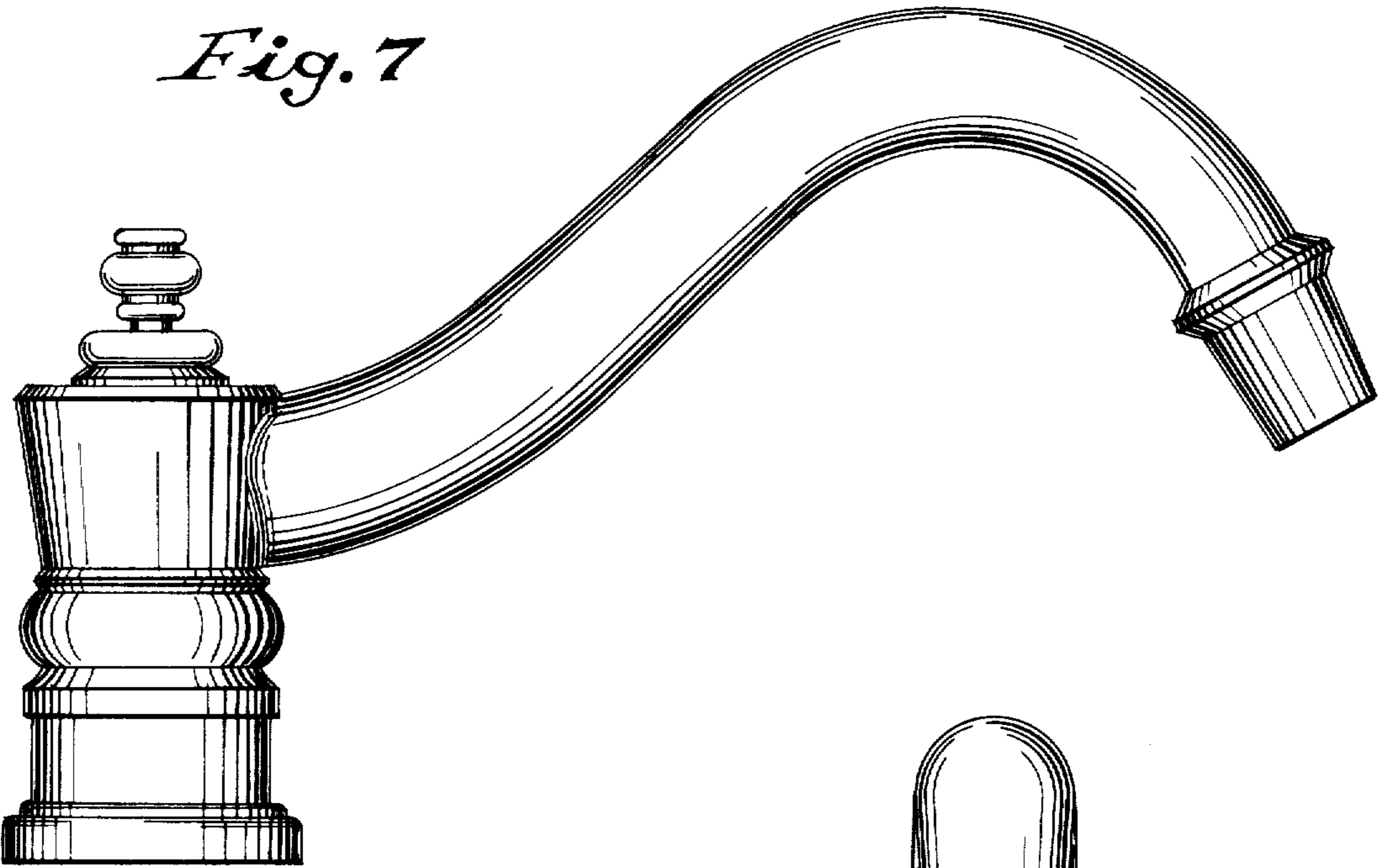
*Fig. 3*



*Fig. 5*



*Fig. 6*



*Fig. 7*

*Fig. 8*

