

[54] COMBINED TOILET TRIP LEVER AND ESCUTCHEON

[75] Inventors: Gary A. Fleischmann, Sheboygan, Wis.; Lawrence C. Peabody, Rindge, N.H.

[73] Assignee: Kohler Co., Kohler, Wis.

[**] Term: 14 Years

[21] Appl. No.: 138,834

[22] Filed: Apr. 10, 1980

[51] Int. Cl. D23-01

[52] U.S. Cl. D23/31; D4/307

[58] Field of Search D23/23-33; D6/86, 90, 93, 102, 120; D8/307; 16/110, 121

[56] References Cited

U.S. PATENT DOCUMENTS

D. 234,953	4/1975	Martin	D23/28
D. 235,098	5/1975	Doman	D23/29
D. 241,440	9/1976	Doman	D23/31

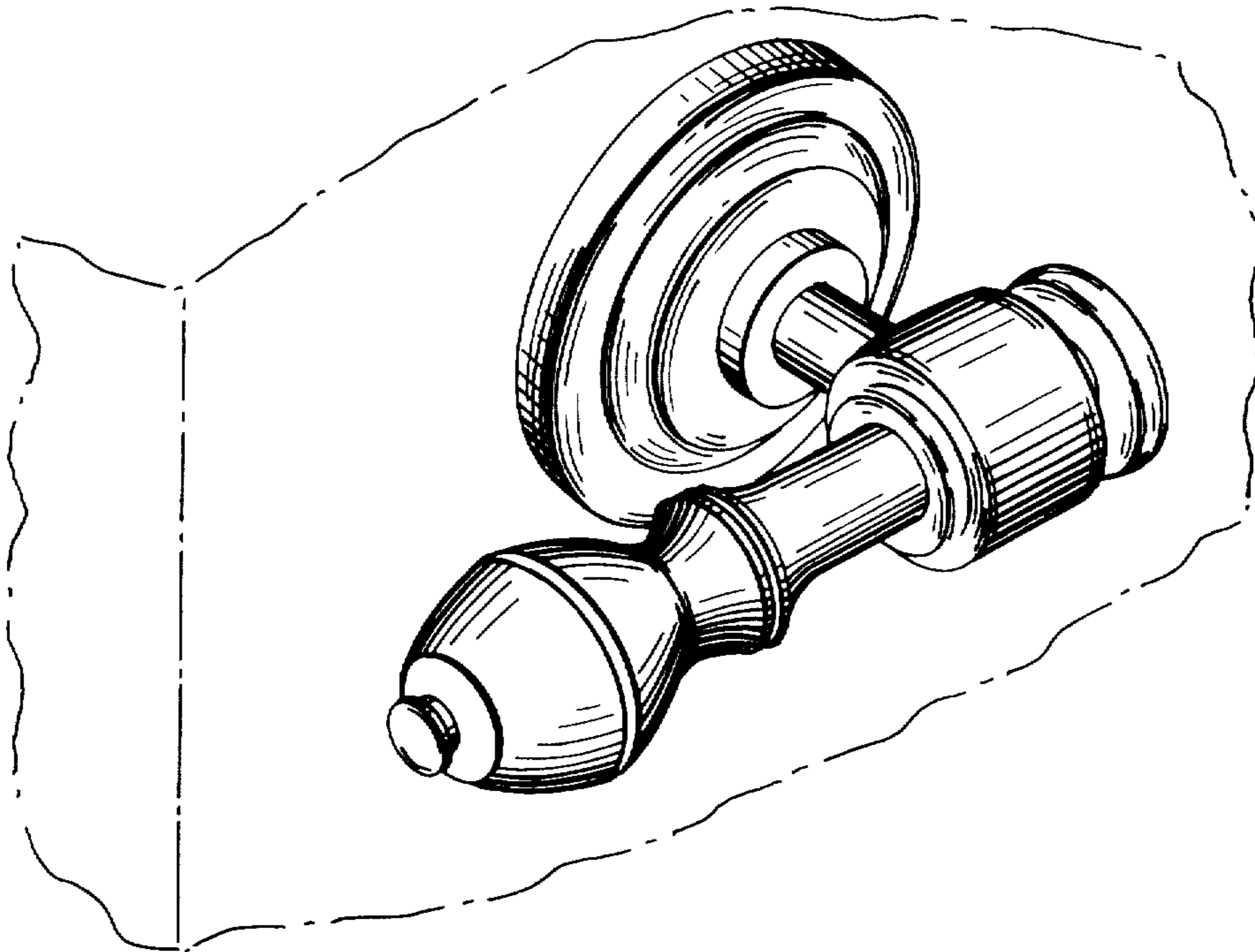
Primary Examiner—James R. Largen
Attorney, Agent, or Firm—Quarles & Brady

[57] CLAIM

The ornamental design for a combined toilet trip lever and escutcheon, as shown and described.

DESCRIPTION

FIG. 1 is a perspective view of a combined toilet trip lever and escutcheon showing my new design; FIG. 2 is a top plan view thereof; FIG. 3 is a right side elevational view thereof; FIG. 4 is a front elevational view thereof; and FIG. 5 is a left side elevational view thereof. The fragmentary broken line representation of a toilet tank in FIG. 1 is for purposes of illustration only.



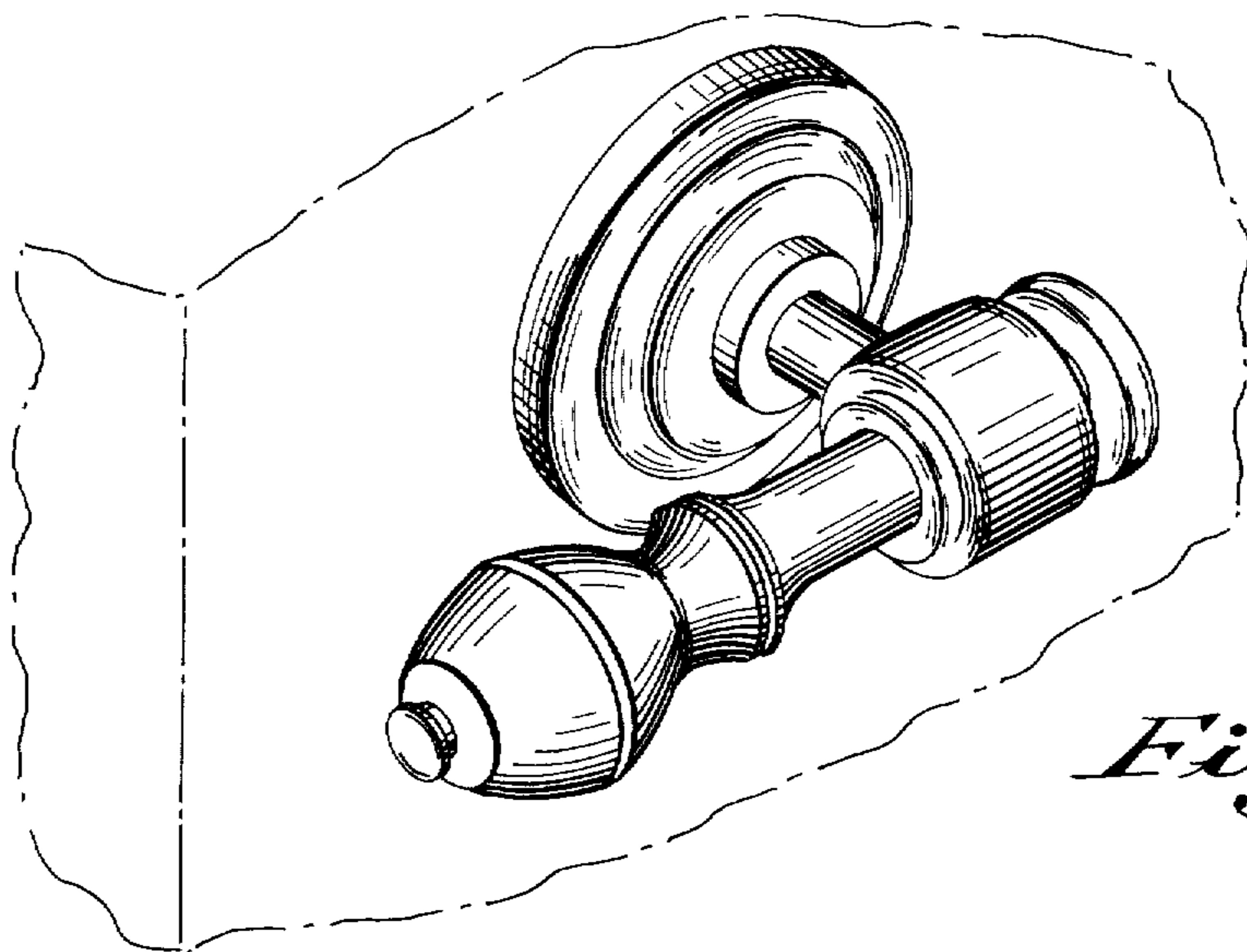


Fig. 1

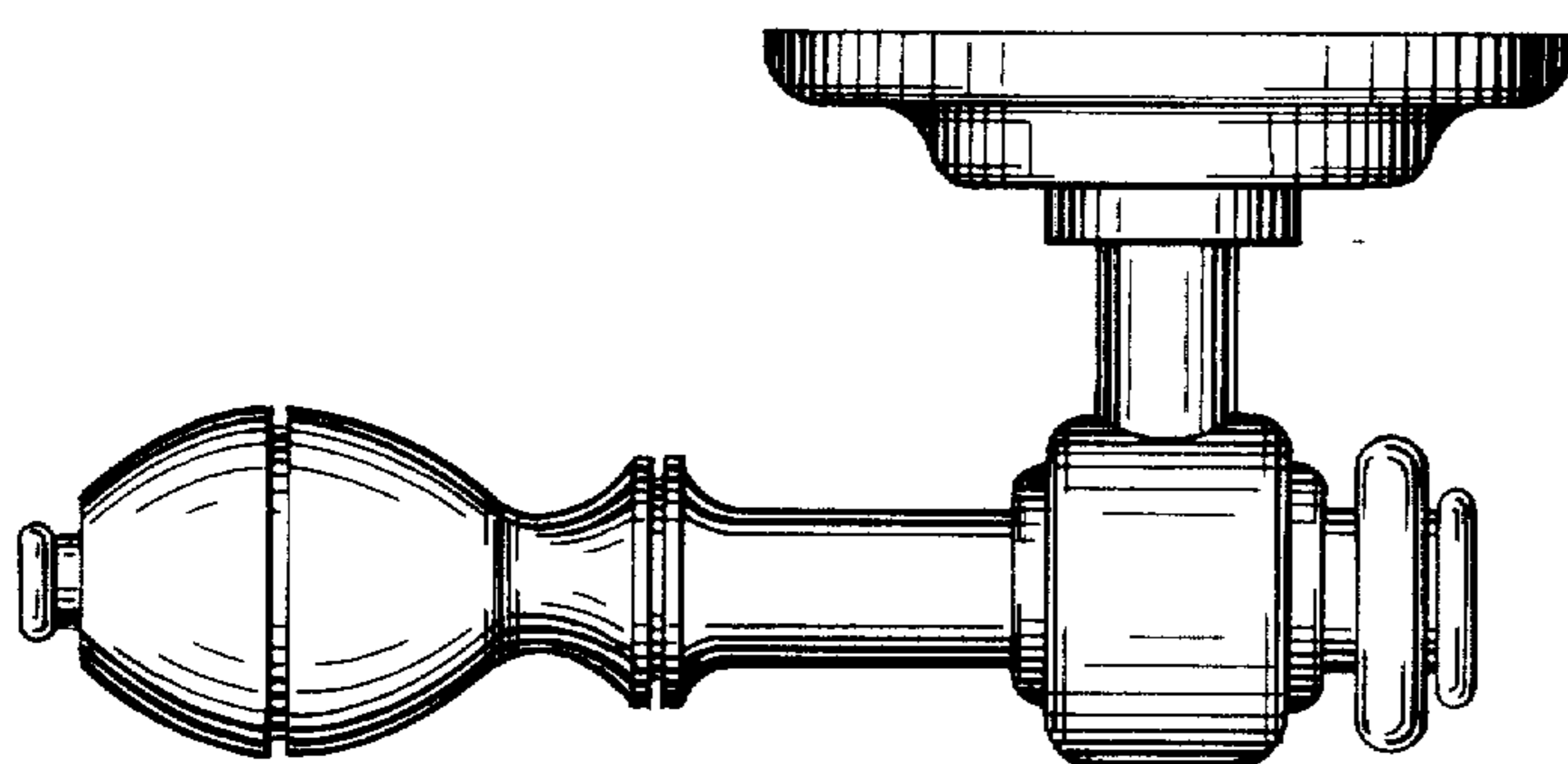


Fig. 2

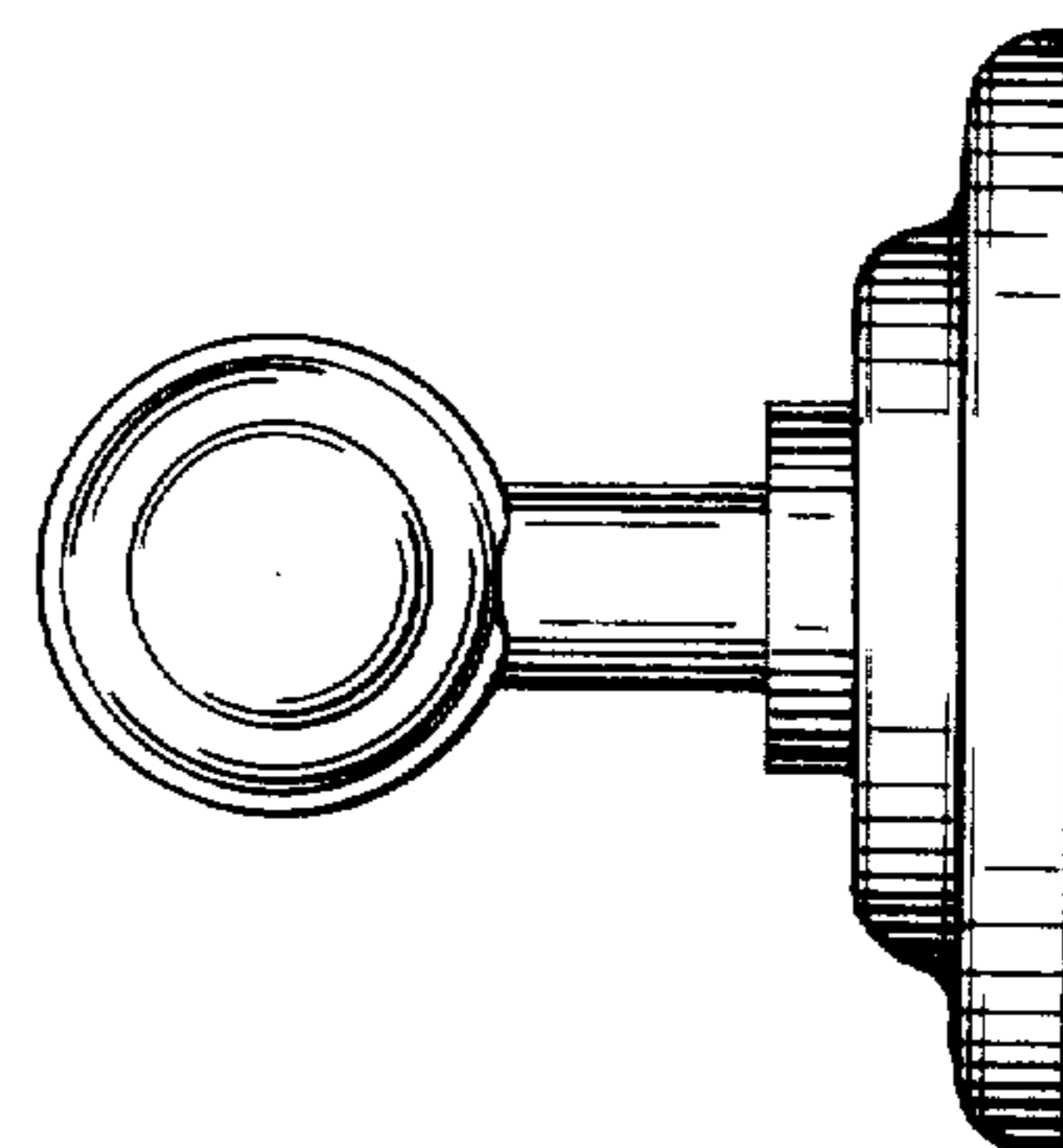


Fig. 3

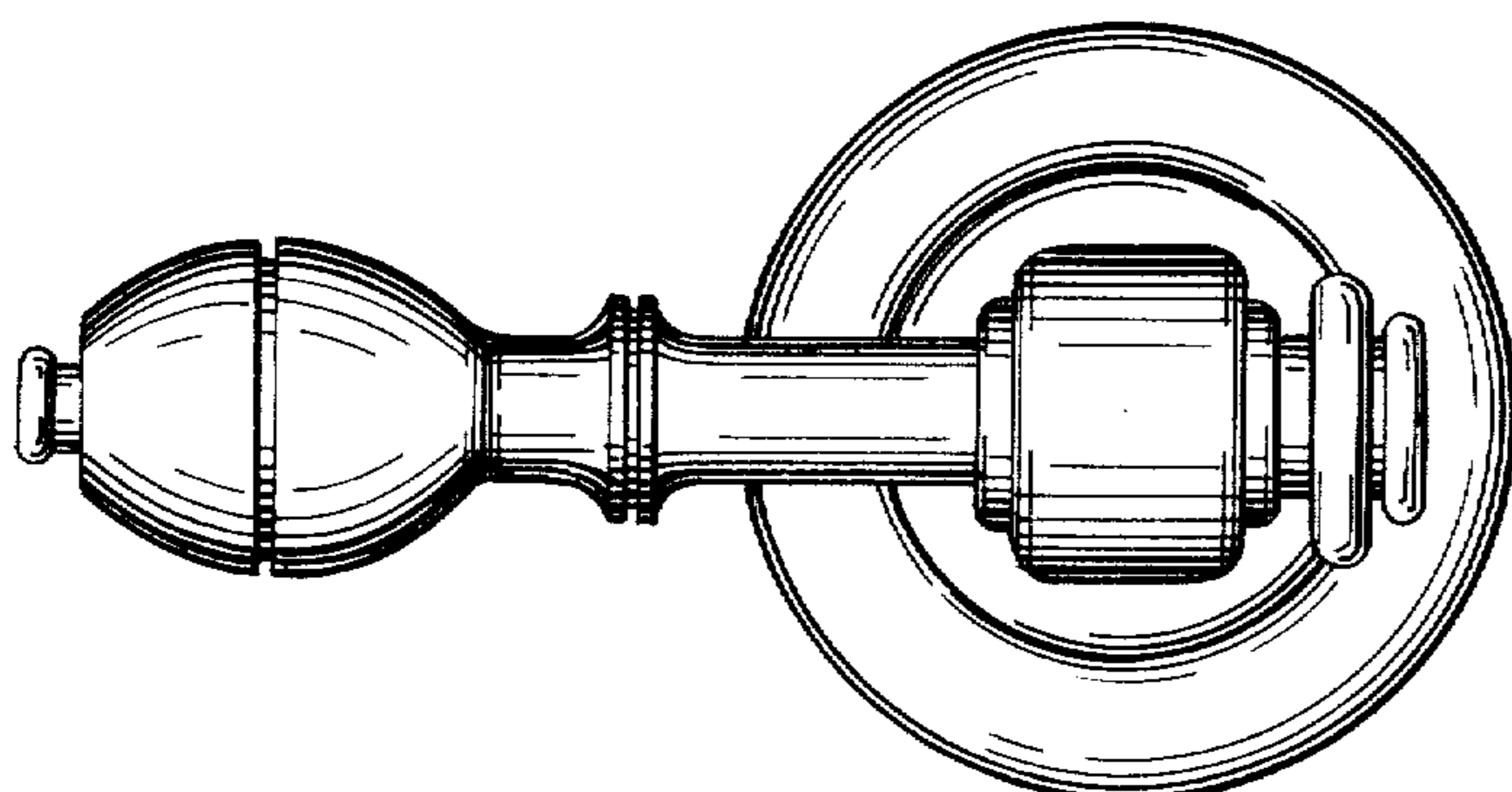


Fig. 4

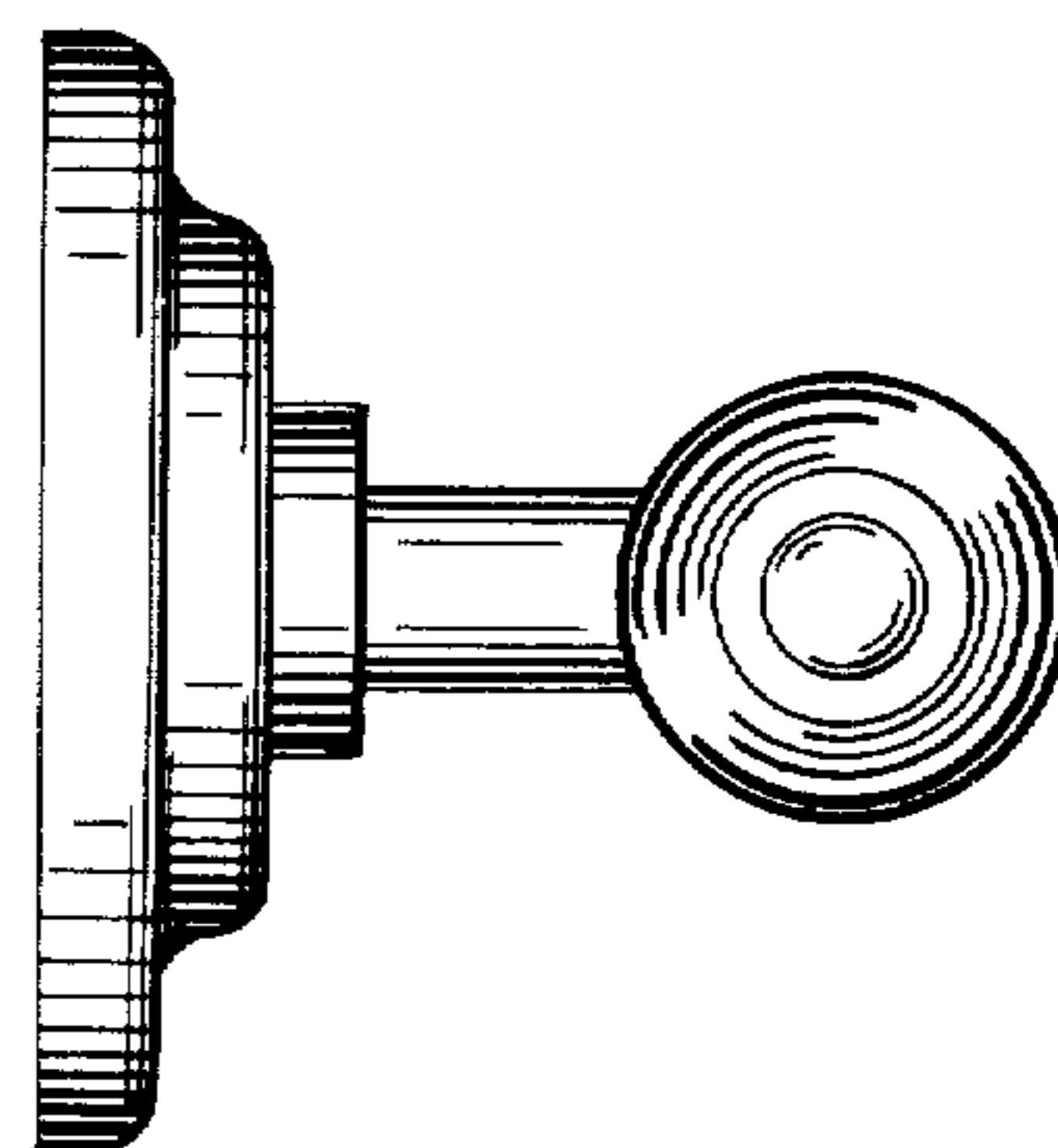


Fig. 5