

- [54] **COMBINED SHOWER HANDLE AND ESCUTCHEON**
- [75] Inventors: **Gary A. Fleischmann**, Sheboygan, Wis.; **Lawrence C. Peabody**, Rindge, N.H.
- [73] Assignee: **Kohler Co.**, Kohler, Wis.
- [**] Term: **14 Years**
- [21] Appl. No.: **138,831**
- [22] Filed: **Apr. 10, 1980**
- [51] Int. Cl. **D23-01**
- [52] U.S. Cl. **D23/31; D8/307**
- [58] Field of Search **D23/23-33; D6/86, 90, 93, 102, 120; D8/307; 16/110, 121**

D. 241,440 9/1976 Doman D23/31
Primary Examiner—James R. Largen
Attorney, Agent, or Firm—Quarles and Brady

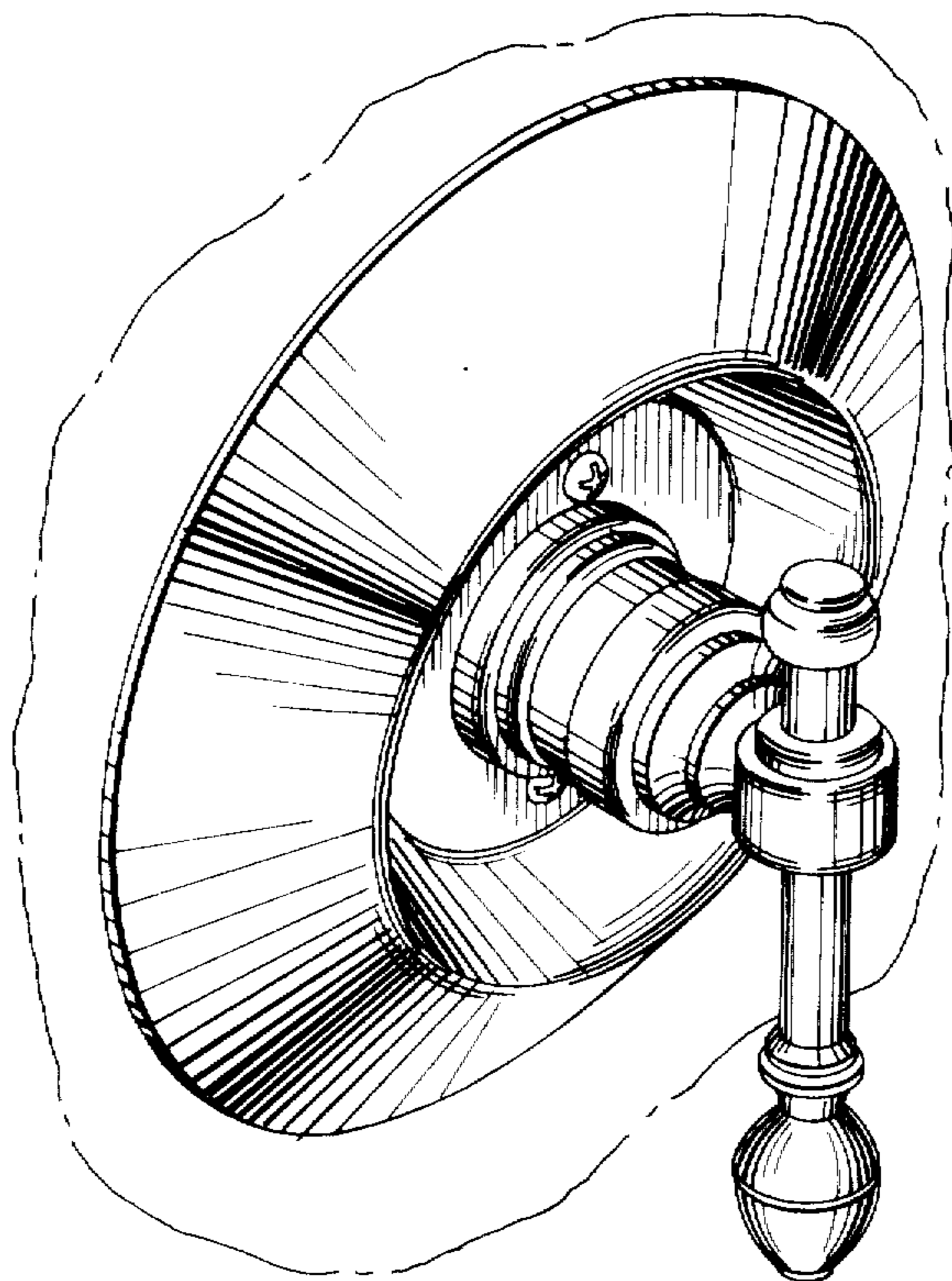
[57] **CLAIM**

The ornamental design for a combined shower handle and escutcheon, as shown and described.

DESCRIPTION

FIG. 1 is a perspective view of a combined shower handle and escutcheon showing our new design;
 FIG. 2 is a front elevational view thereof;
 FIG. 3 is a side elevational view thereof;
 FIG. 4 is a top plan view thereof;
 FIG. 5 is a bottom plan view thereof with a center portion broken away for convenience of illustration; and
 FIG. 6 is a front elevational view of a modified form of the combined shower handle and escutcheon shown in FIG. 1.
 The fragmentary broken line representation of a wall in FIG. 1 is for purposes of illustration only.

- [56] **References Cited**
- U.S. PATENT DOCUMENTS**
- D. 234,953 4/1975 Martin D23/28
- D. 235,098 5/1975 Doman D23/29



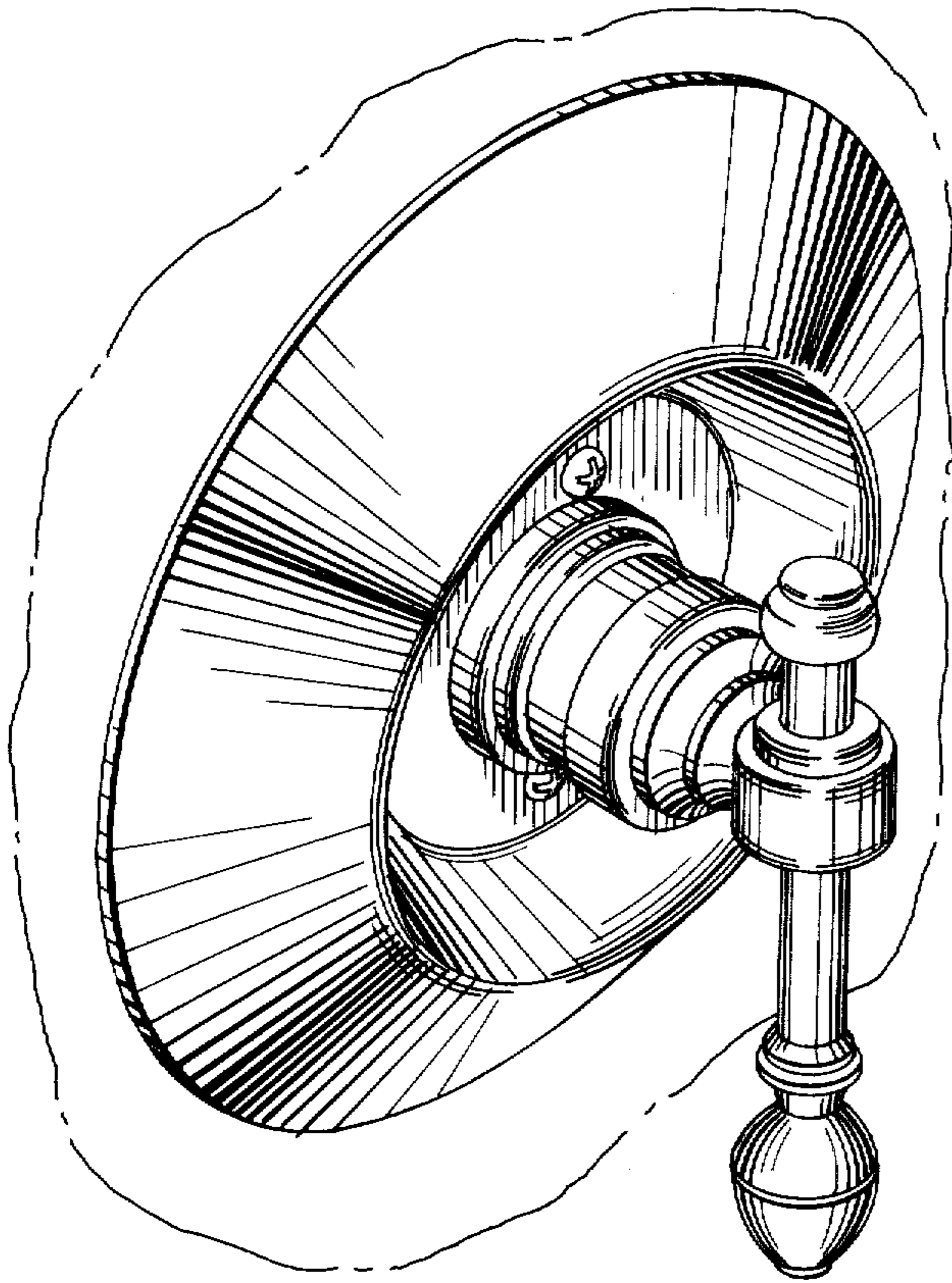


FIG. 1

FIG. 2

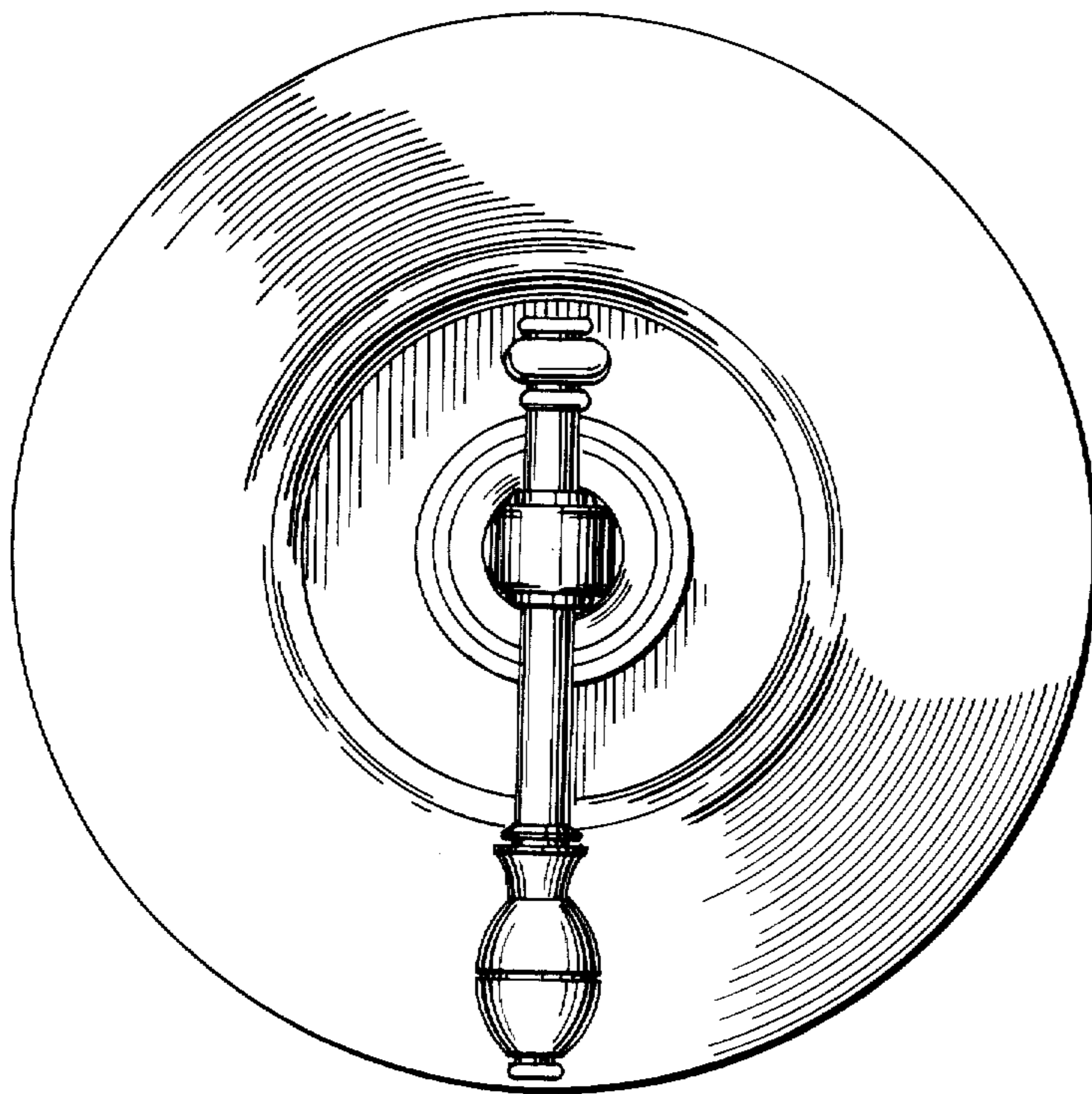


FIG. 3

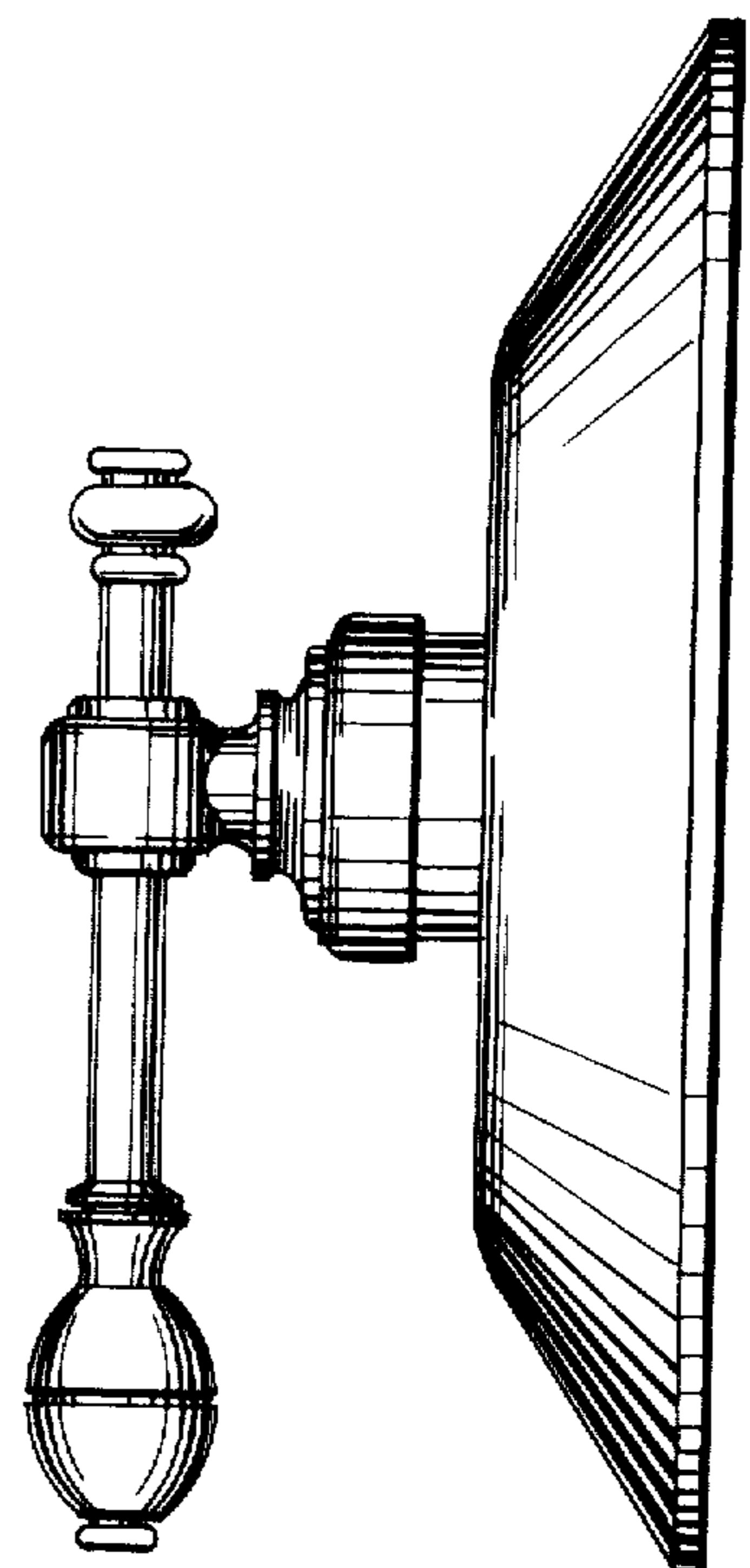


FIG. 4

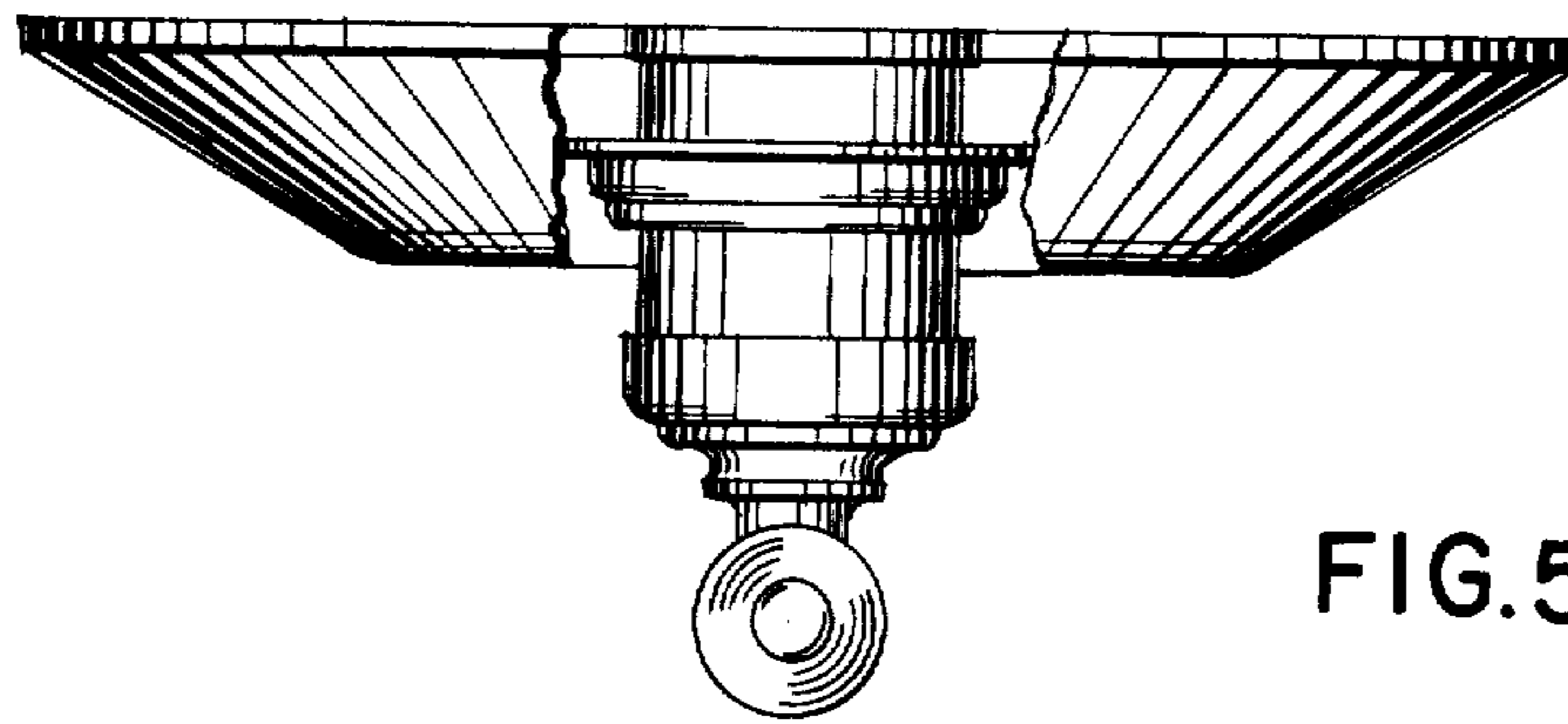
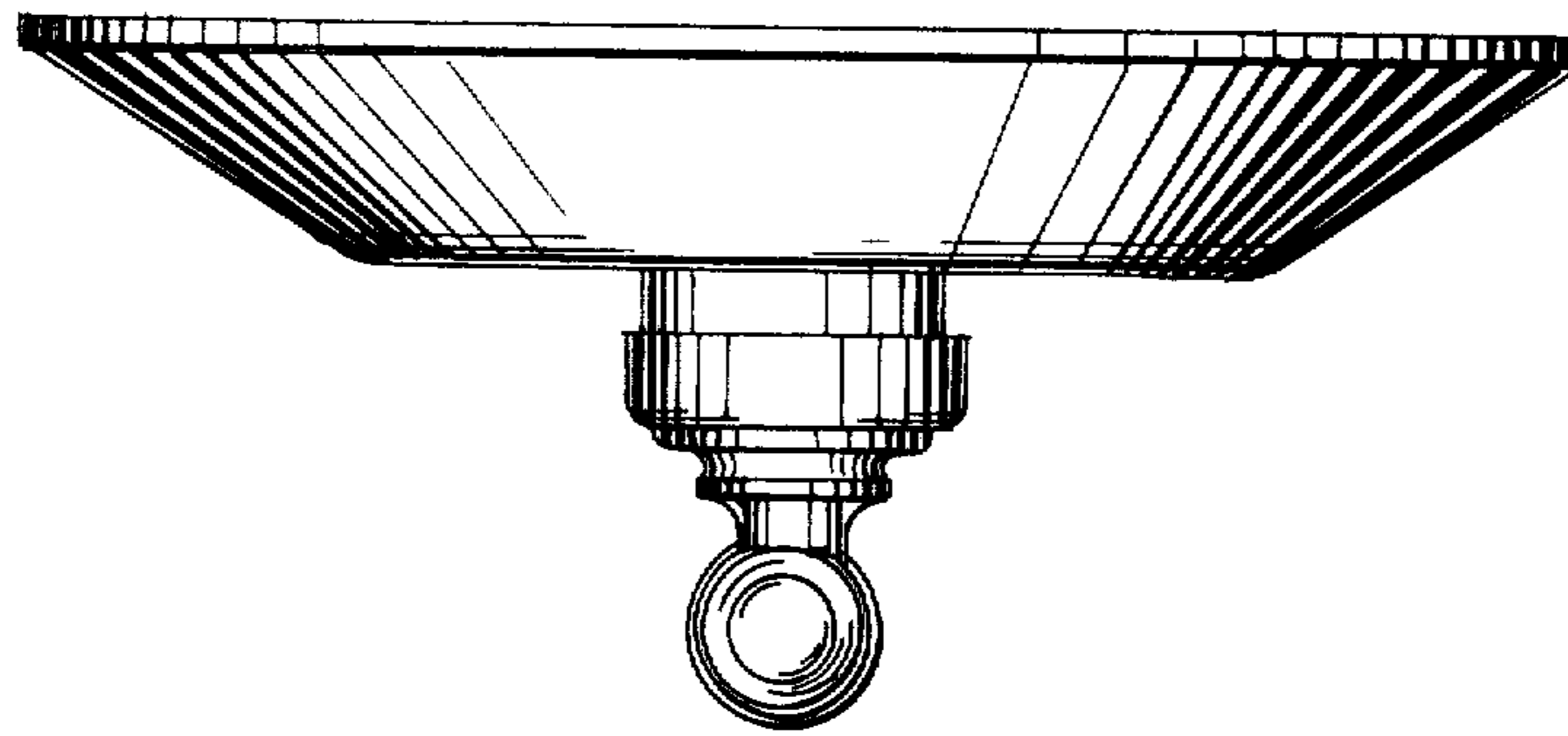


FIG. 5

FIG. 6

