

[54] **GOLF CLUB HEAD**

[75] Inventor: **Masashi Kobayashi, Matsudo, Japan**

[73] Assignee: **Maruman Golf Kabushiki Kaisha, Tokyo, Japan**

[\*\*] Term: **14 Years**

[21] Appl. No.: **101,137**

[22] Filed: **Dec. 7, 1979**

[30] **Foreign Application Priority Data**

Jul. 21, 1979 [JP] Japan ..... 54-030462

[51] Int. Cl. .... **D21-02**

[52] U.S. Cl. .... **D21/219**

[58] Field of Search ..... **D21/214-220;**  
**273/167-175, 164**

[56] **References Cited**  
**PUBLICATIONS**

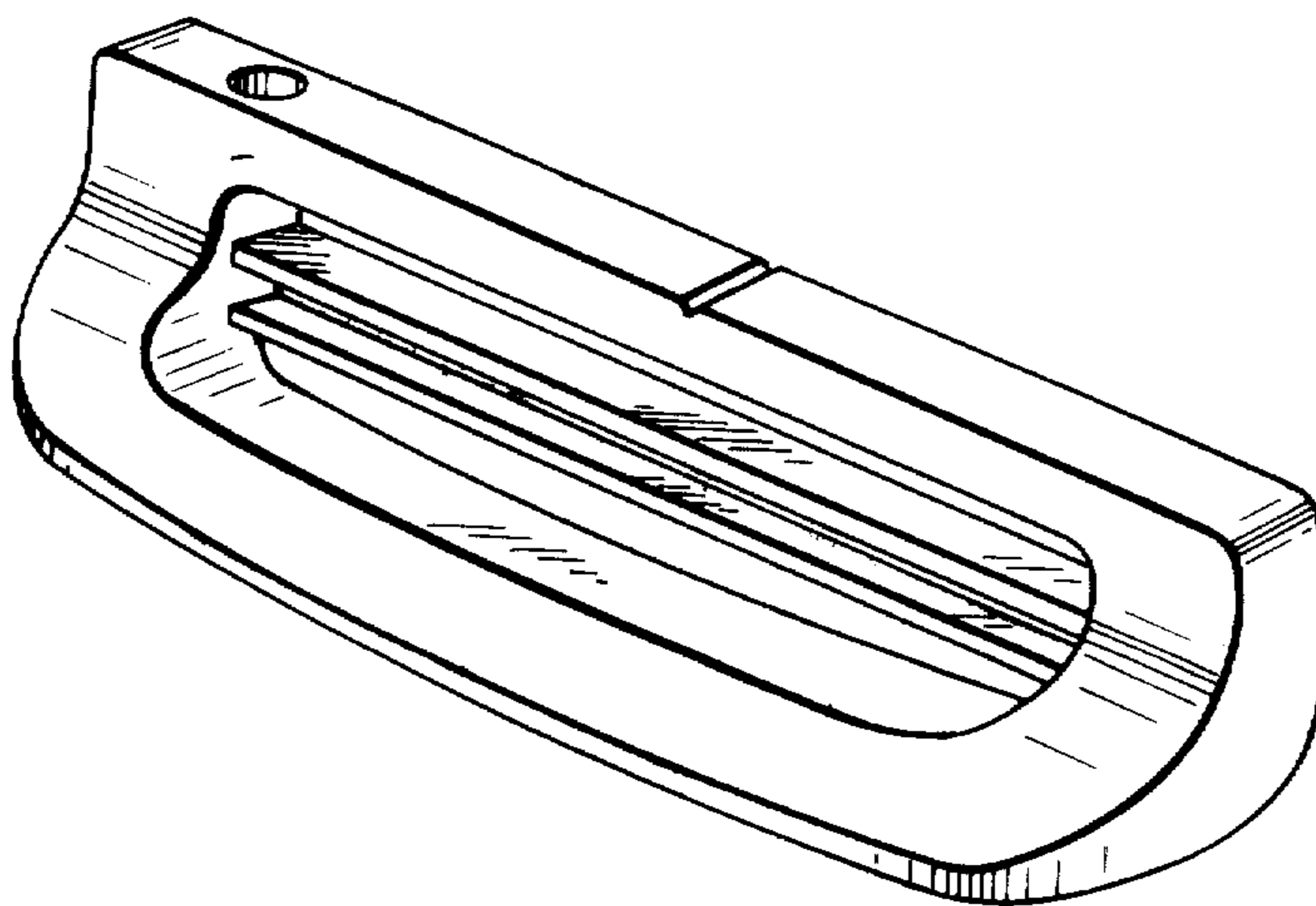
Golf Digest, Sep., 1964, p. 72, Ping Golf Clubs, No. 69 FTL.  
Golf Digest, Dec. 1974, p. 2, "Stag" Golf Club Head.  
*Primary Examiner*—Melvin B. Feifer  
*Attorney, Agent, or Firm*—Armstrong, Nikaido, Marmelstein & Kubovcik

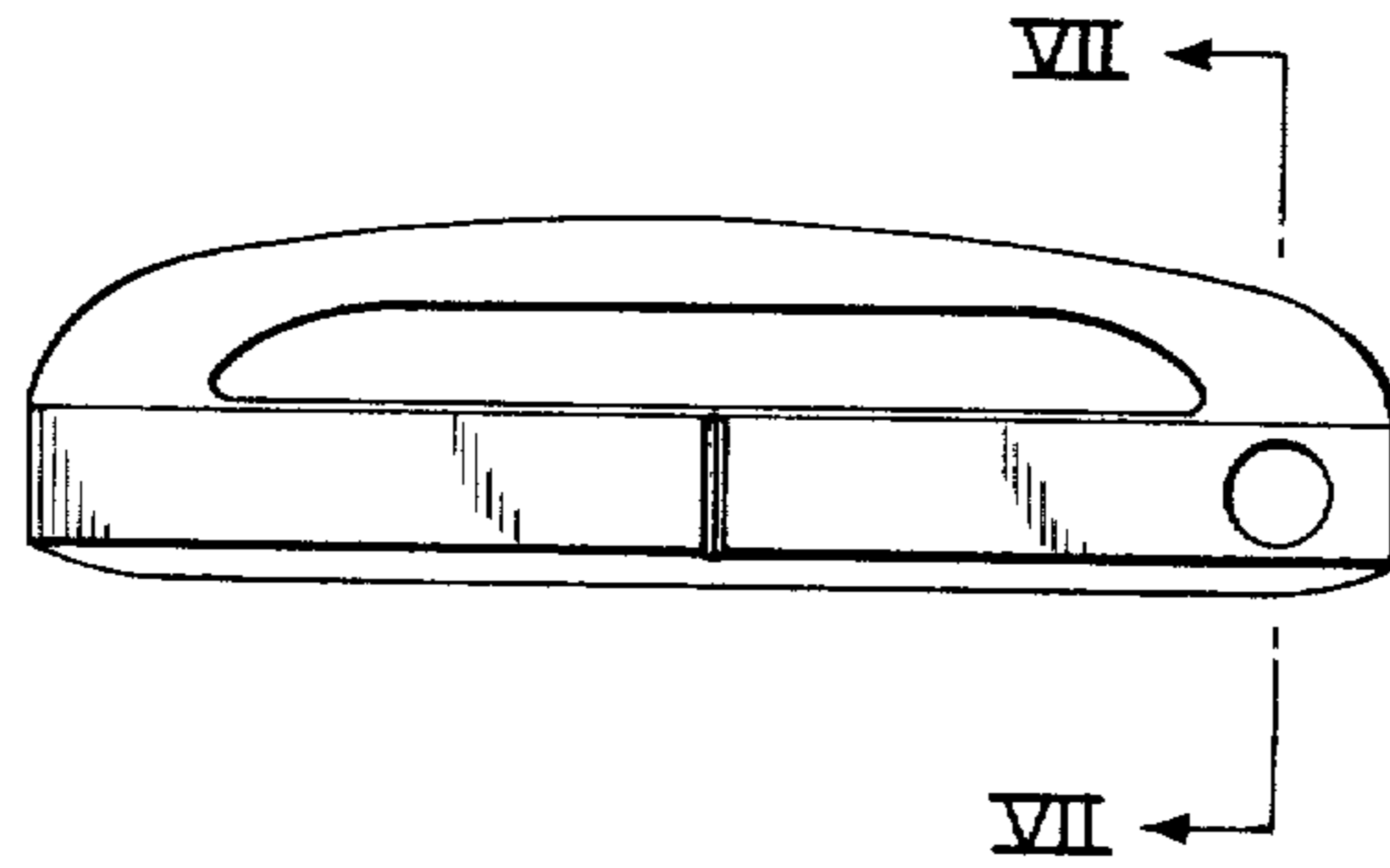
[57] **CLAIM**

The ornamental design for golf club head, as shown and described.

**DESCRIPTION**

FIG. 1 is a plan view of a golf club head showing my new design.  
FIG. 2 is a left side view thereof.  
FIG. 3 is a front elevation thereof.  
FIG. 4 is a bottom view thereof.  
FIG. 5 is a right side view thereof.  
FIG. 6 is a rear elevation thereof.  
FIG. 7 is a section through section VII—VII thereof.  
FIG. 8 is a section through section VIII—VIII thereof.  
FIG. 9 is a rear perspective view thereof.

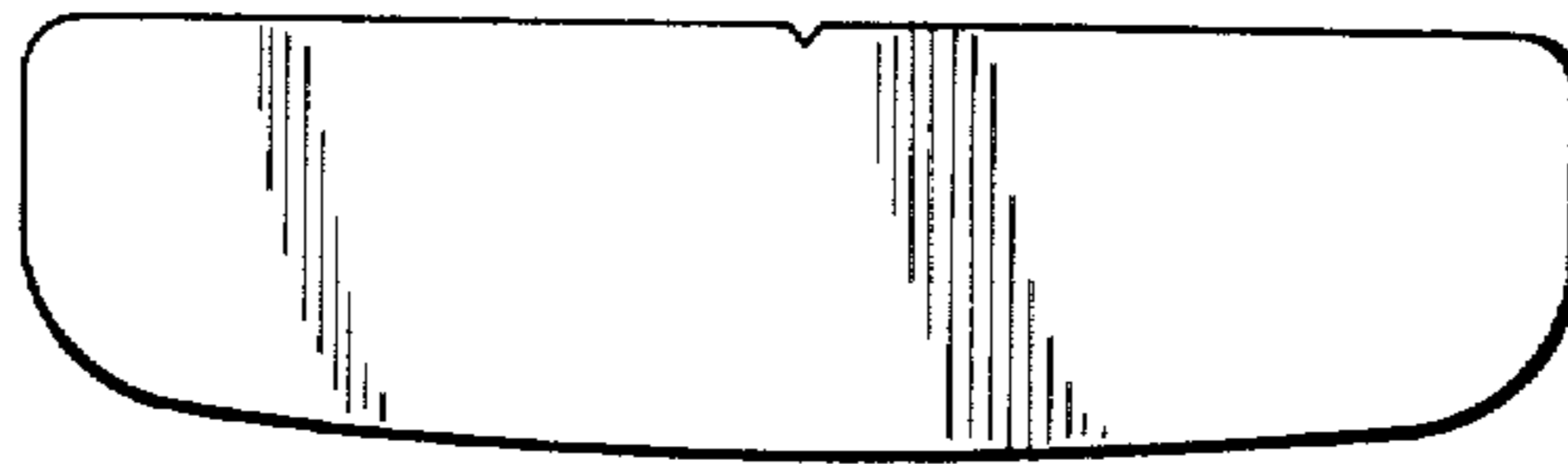




*FIG. 1*



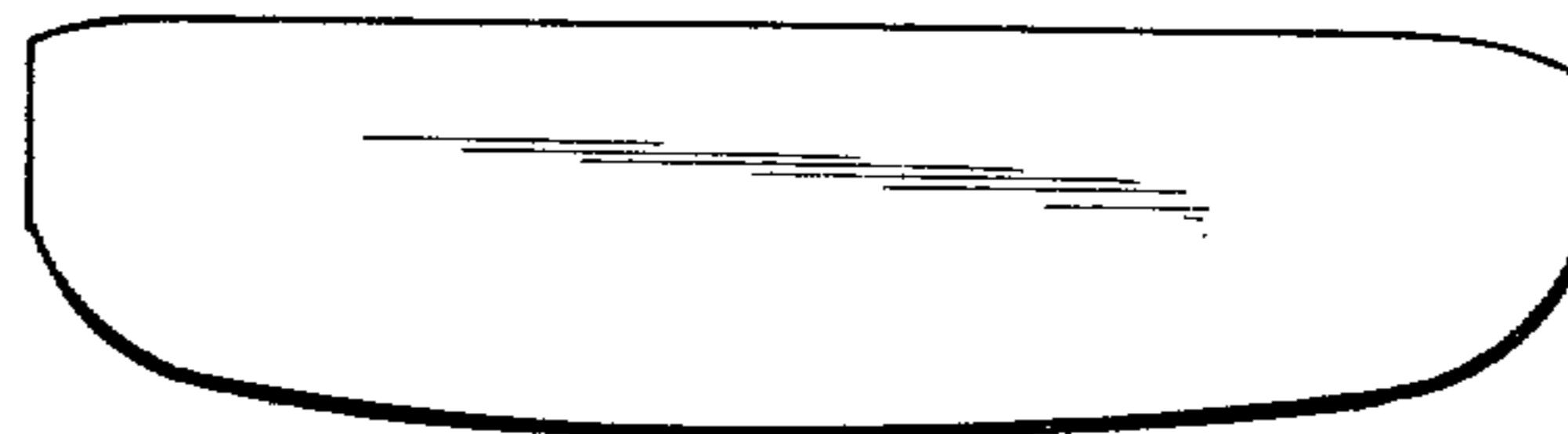
*FIG. 2*



*FIG. 3*



*FIG. 5*



*FIG. 4*

