

[54] PHYSICAL EXERCISER

[56]

References Cited

U.S. PATENT DOCUMENTS

[76] Inventor: Jerry D. Brentham, P.O. Box 599, Belton, Tex. 76513

4,185,818 1/1980 Brentham 272/130
4,227,689 10/1980 Keiser 272/130
4,254,949 3/1981 Brentham 272/130

[**] Term: 14 Years

Primary Examiner—Charles A. Rademaker
Attorney, Agent, or Firm—Gerald G. Crutsinger; John F. Booth; Monty L. Ross

[21] Appl. No.: 128,500

[57] CLAIM

The ornamental design for a physical exerciser, substantially as shown.

[22] Filed: Mar. 10, 1980

DESCRIPTION

[51] Int. Cl. D21—02

[52] U.S. Cl. D21/195

[58] Field of Search D21/191-199;
272/130, 127, 134, 144, 141, 142, 125, 68, 67

FIG. 1 is a front perspective view of a physical exerciser showing my new design;
FIG. 2 is a back perspective view thereof;
FIG. 3 is a side perspective view thereof; and
FIG. 4 is a bottom plan view.

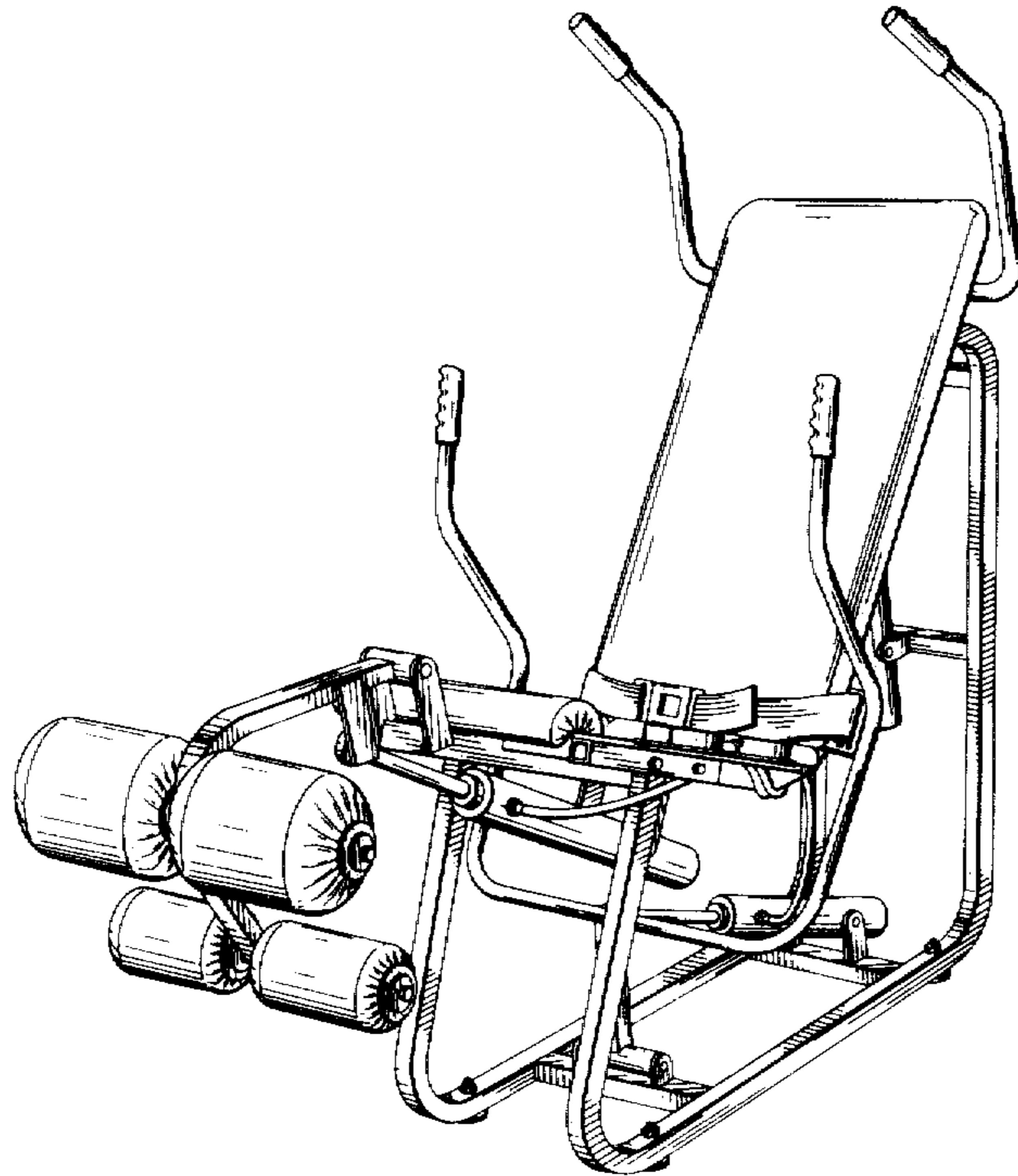


FIG. 1

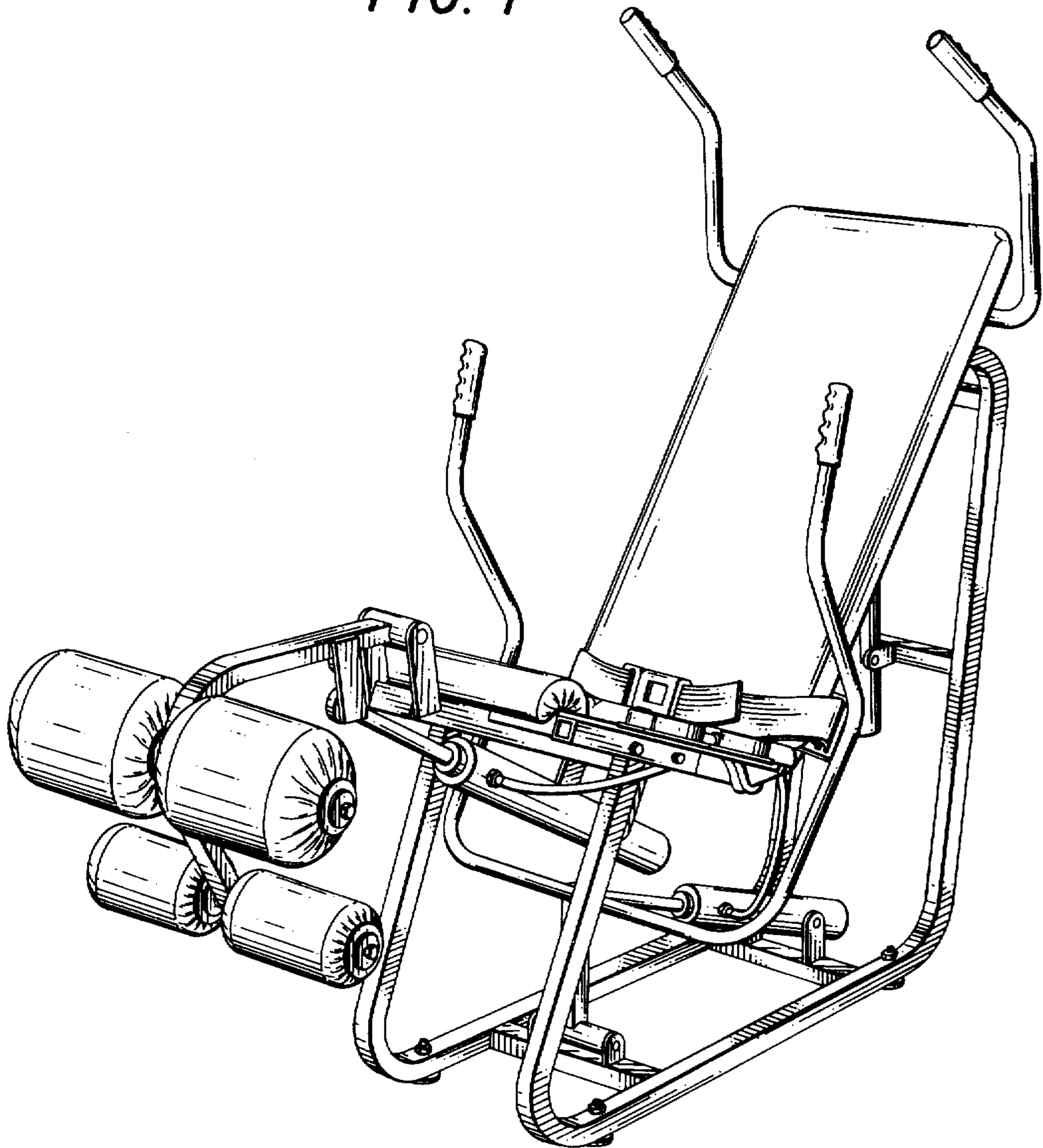


FIG. 2

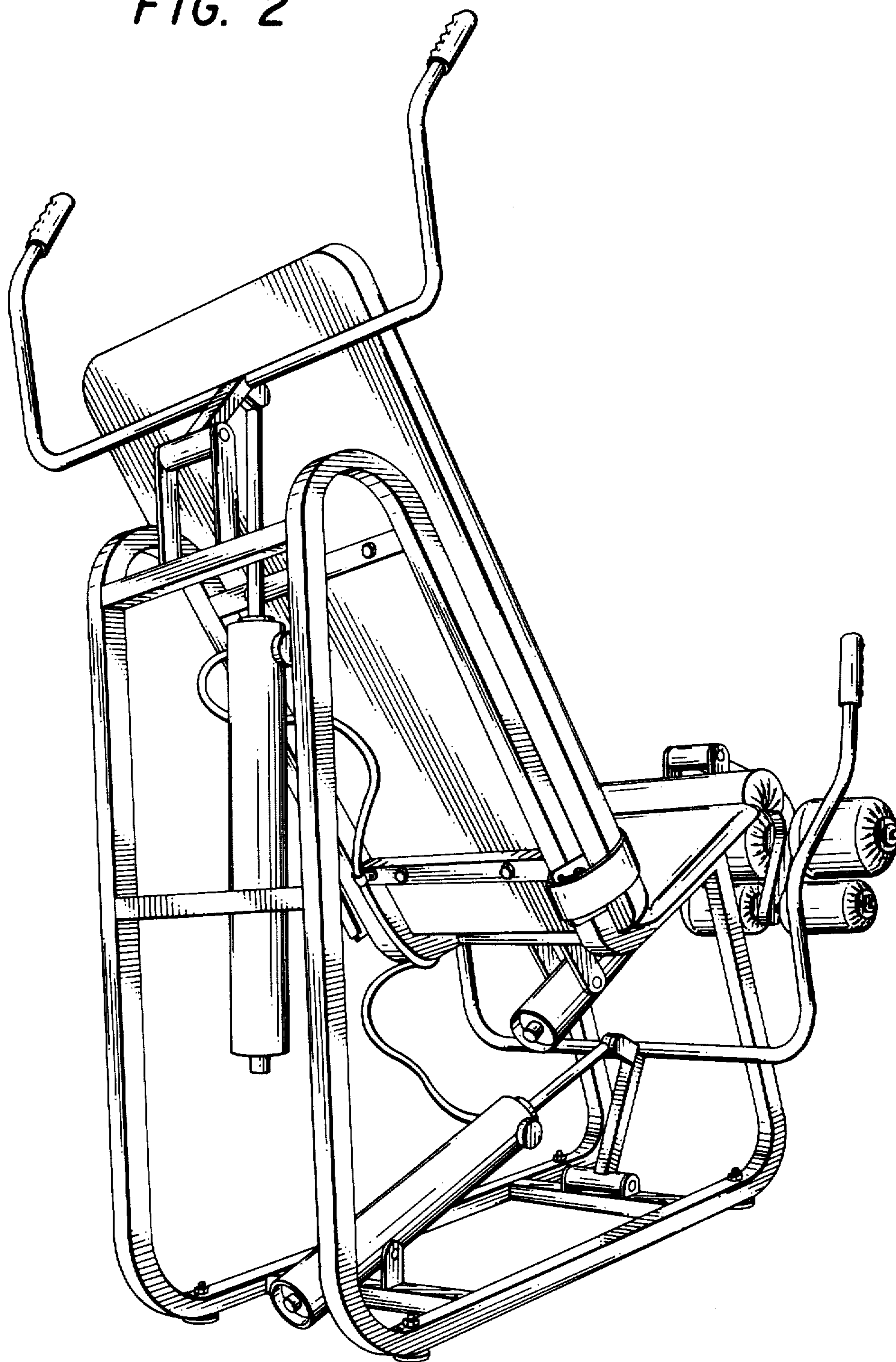


FIG. 3

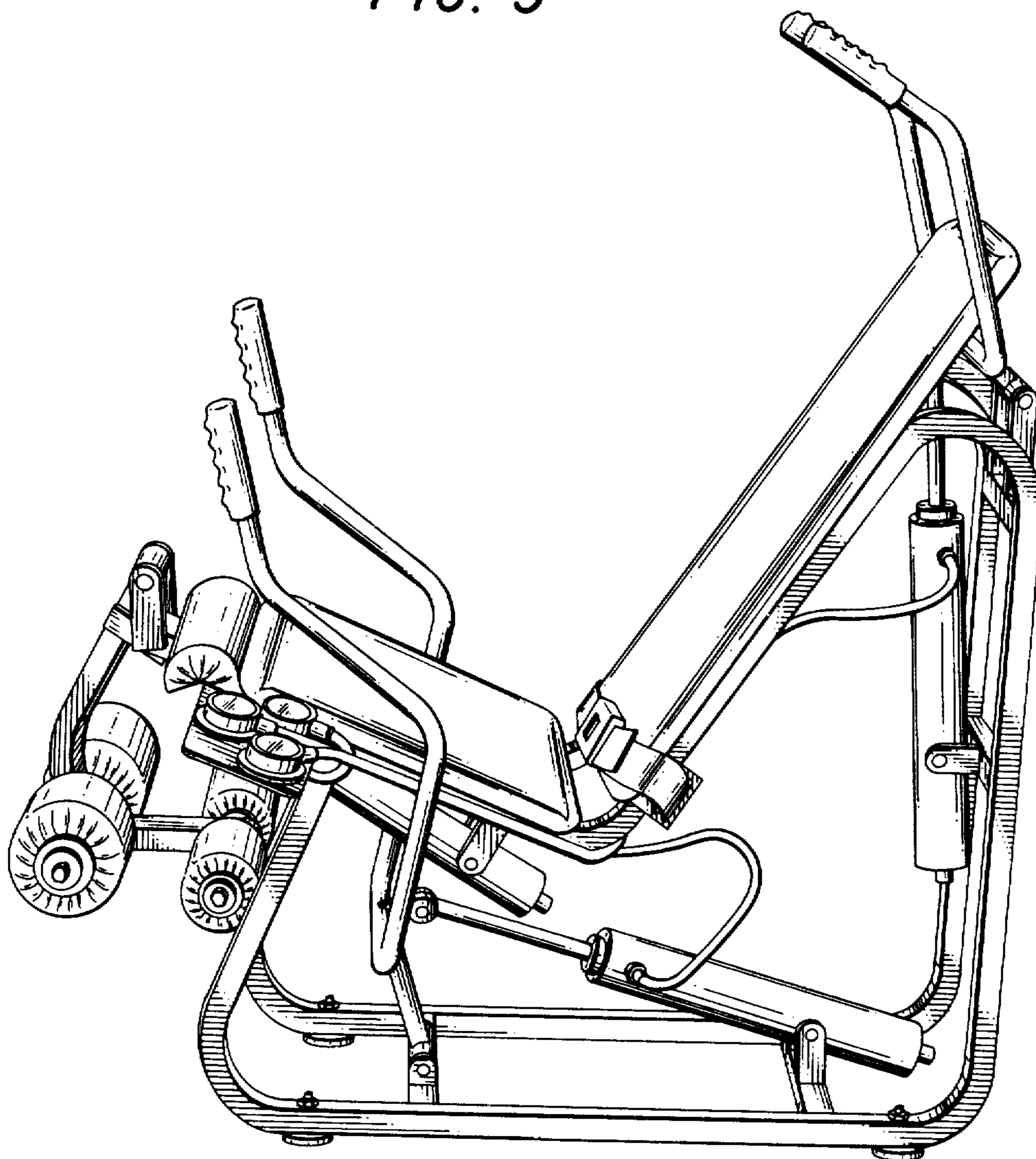


FIG. 4

