

[54] TOY DUMP TRUCK

[75] Inventor: Jack J. Breneman, Orchard Park, N.Y.

[73] Assignee: The Quaker Oats Company, Chicago, Ill.

[**] Term: 14 Years

[21] Appl. No.: 112,355

[22] Filed: Jan. 15, 1980

[51] Int. Cl. D21-01

[52] U.S. Cl. D21/134

[58] Field of Search D21/76, 78, 79, 128, D21/132, 134, 135, 136; 46/201, 204, 206, 210, 214, 221, 222, 223; D15/10; D12/14, 15

[56]

References Cited

U.S. PATENT DOCUMENTS

D. 217,726	6/1970	Cohn	D21/134
D. 227,283	6/1973	Ogasawara	D21/134
D. 239,553	4/1976	Breneman et al.	D21/134

Primary Examiner—Charles A. Rademaker
Attorney, Agent, or Firm—Cumpston & Shaw

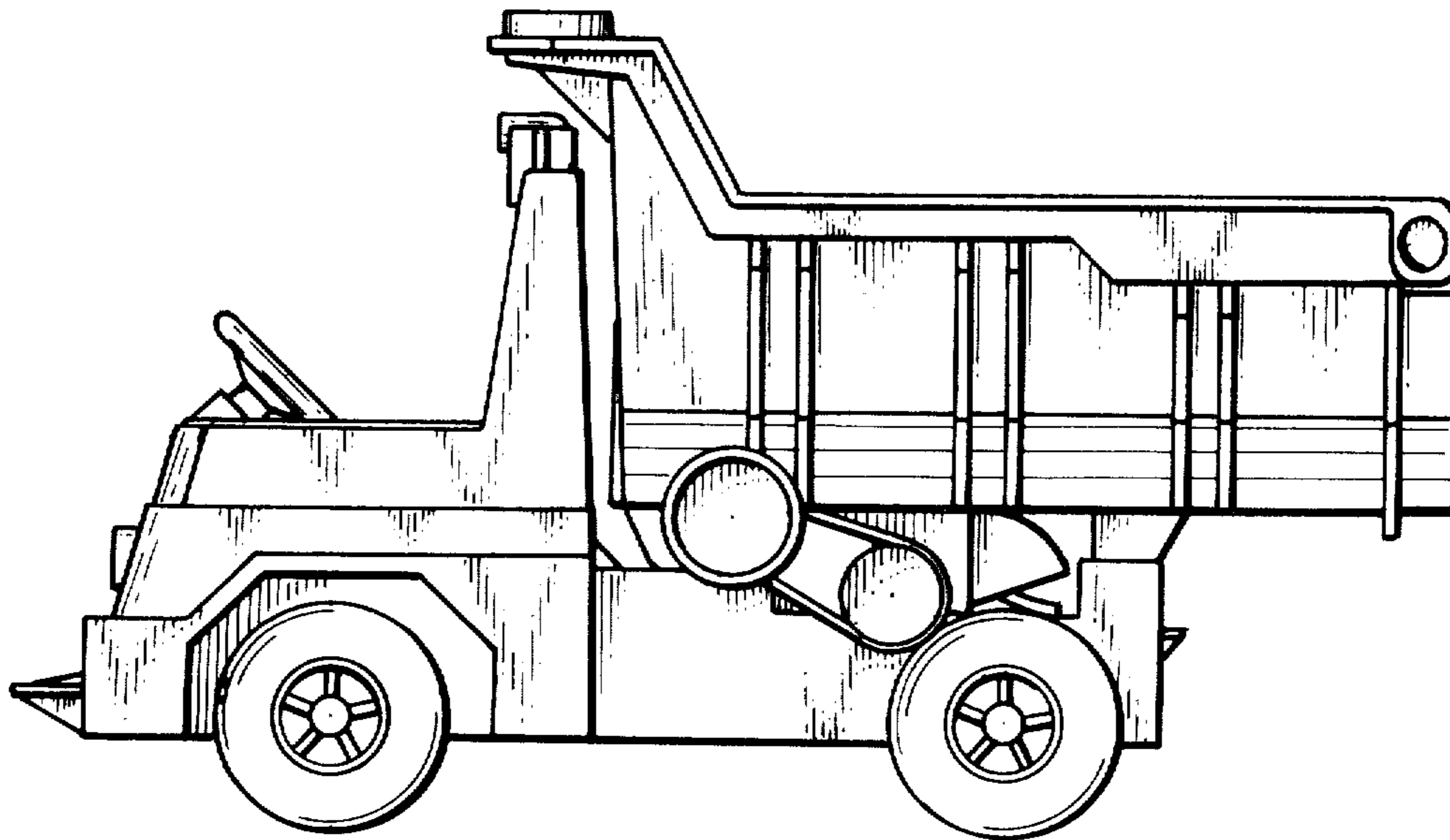
[57]

CLAIM

The ornamental design for a toy dump truck, substantially as shown and described.

DESCRIPTION

FIG. 1 is a left-side elevational view of a toy dump truck showing my new design;
FIG. 2 is a top plan view thereof;
FIG. 3 is a bottom plan view thereof;
FIG. 4 is a front elevational view thereof;
FIG. 5 is a rear elevational view thereof; and
FIG. 6 is a right-side elevational view thereof.



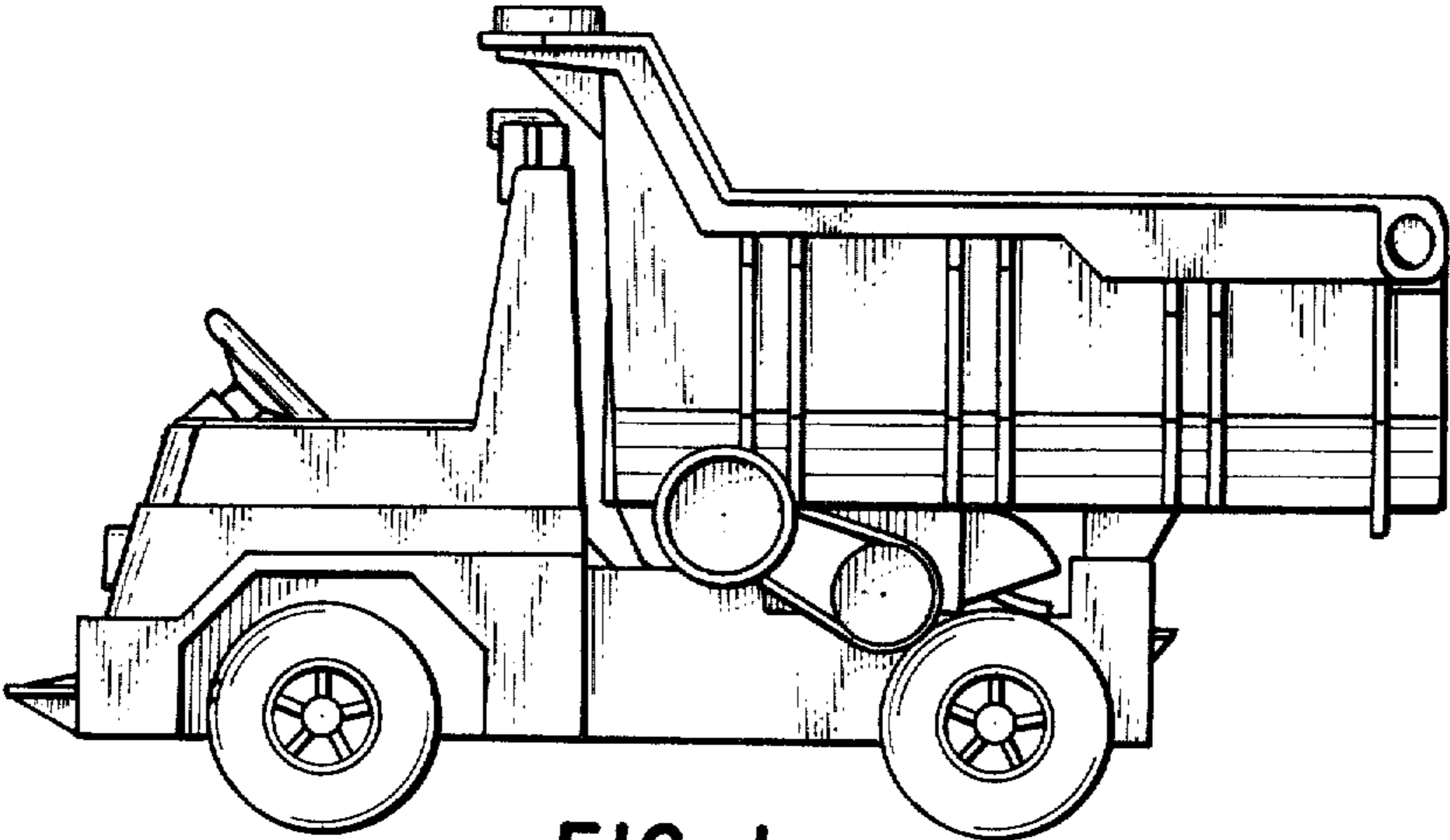


FIG. 1

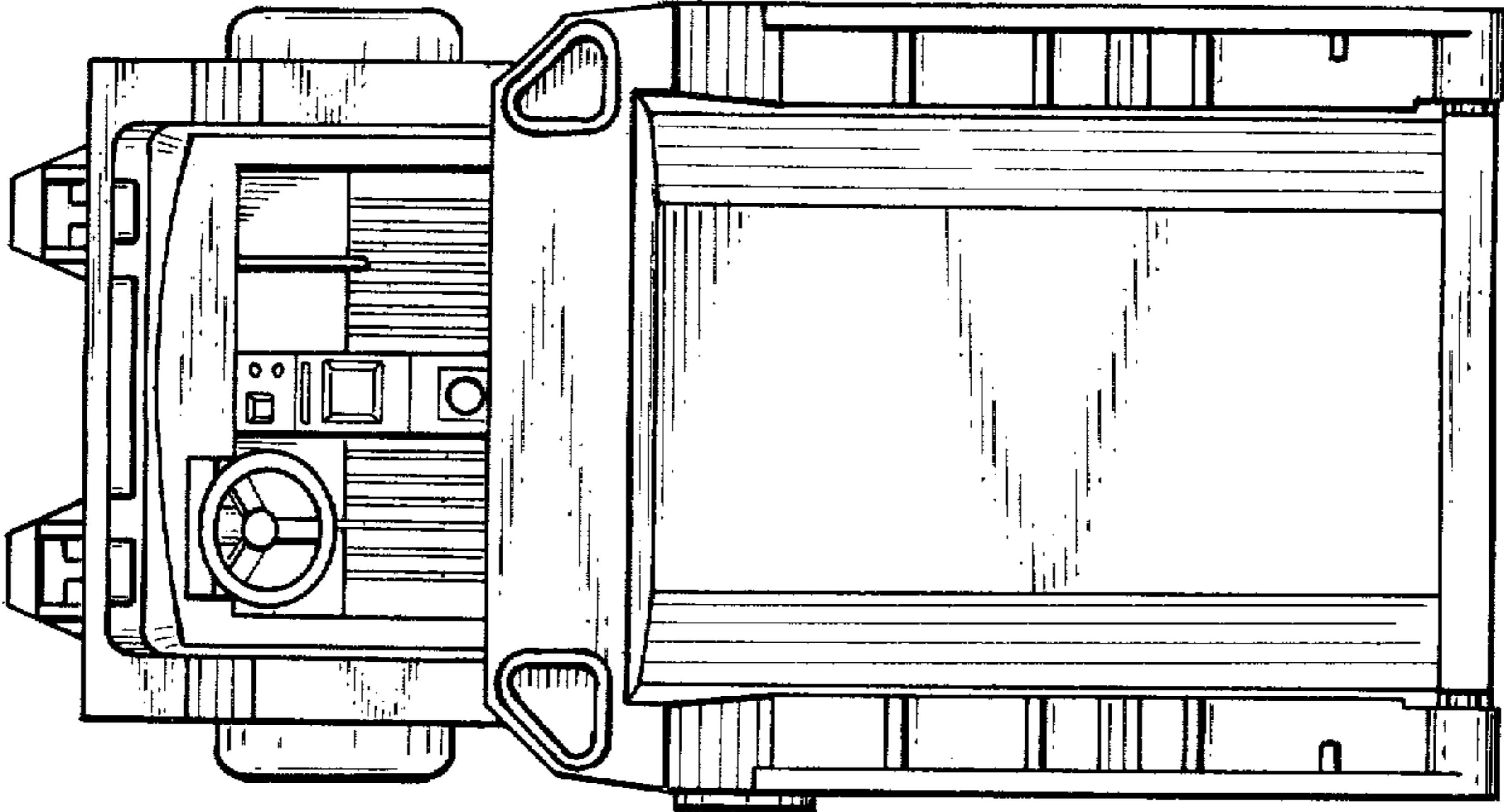


FIG. 2

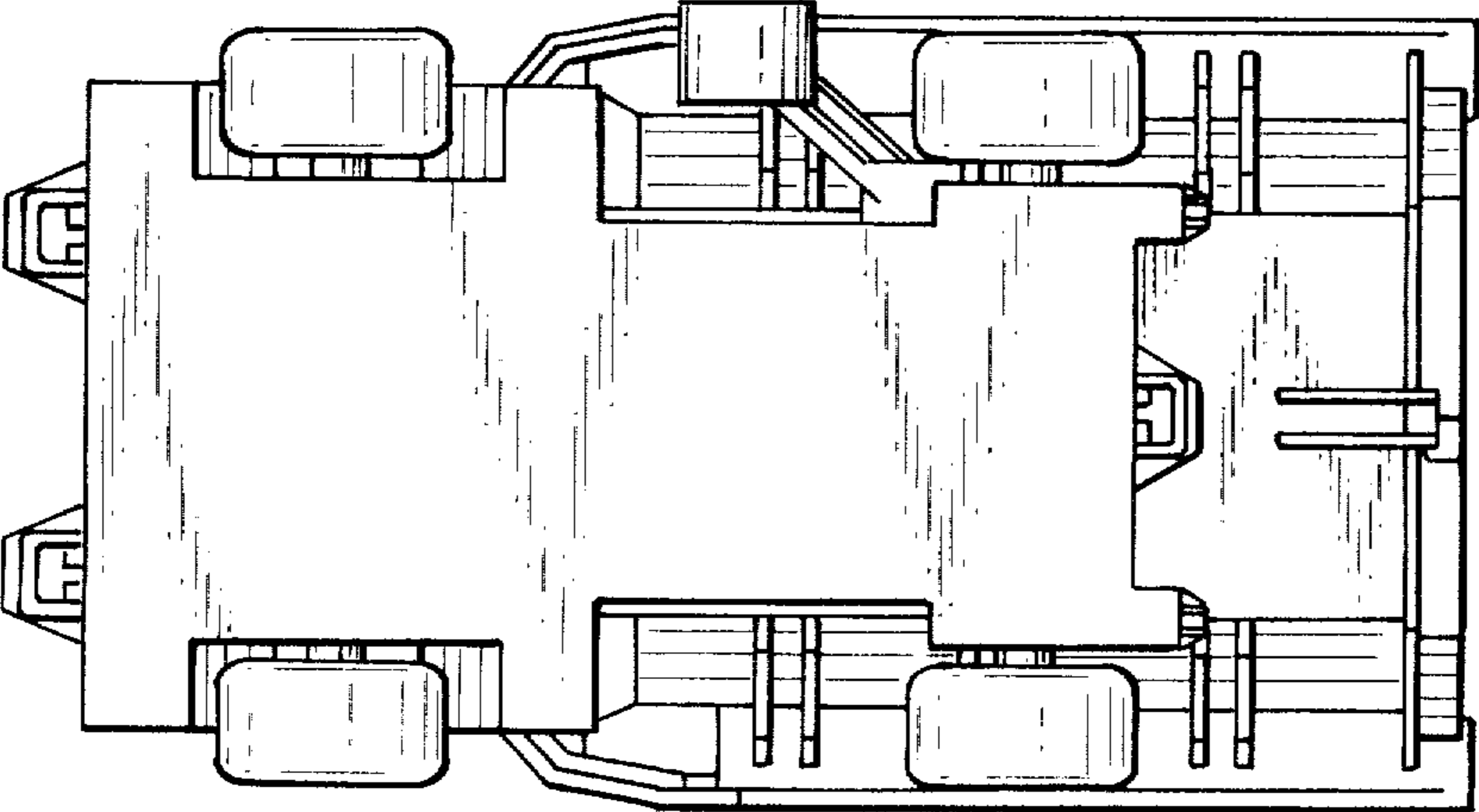


FIG. 3

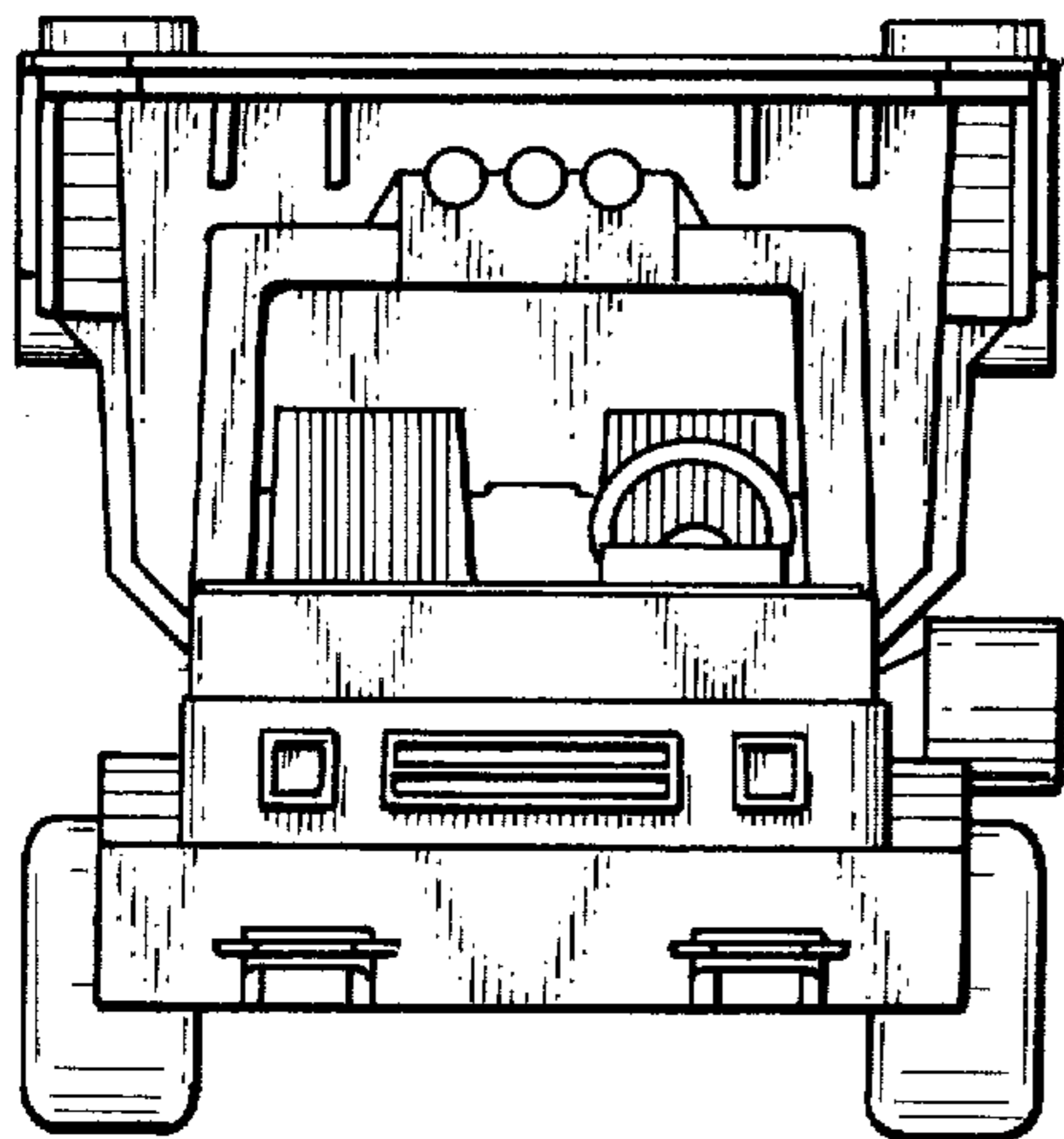


FIG. 4

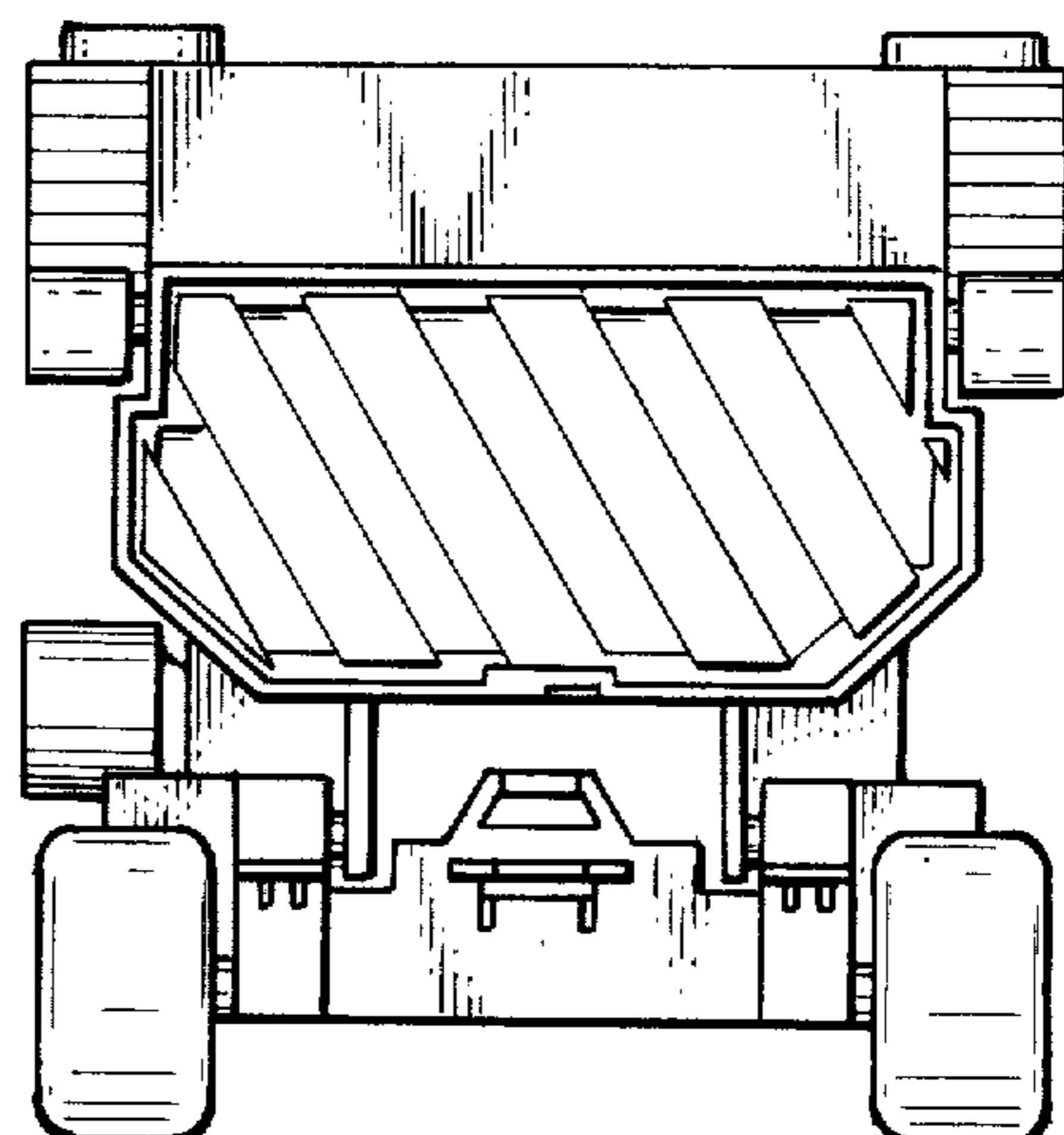


FIG. 5

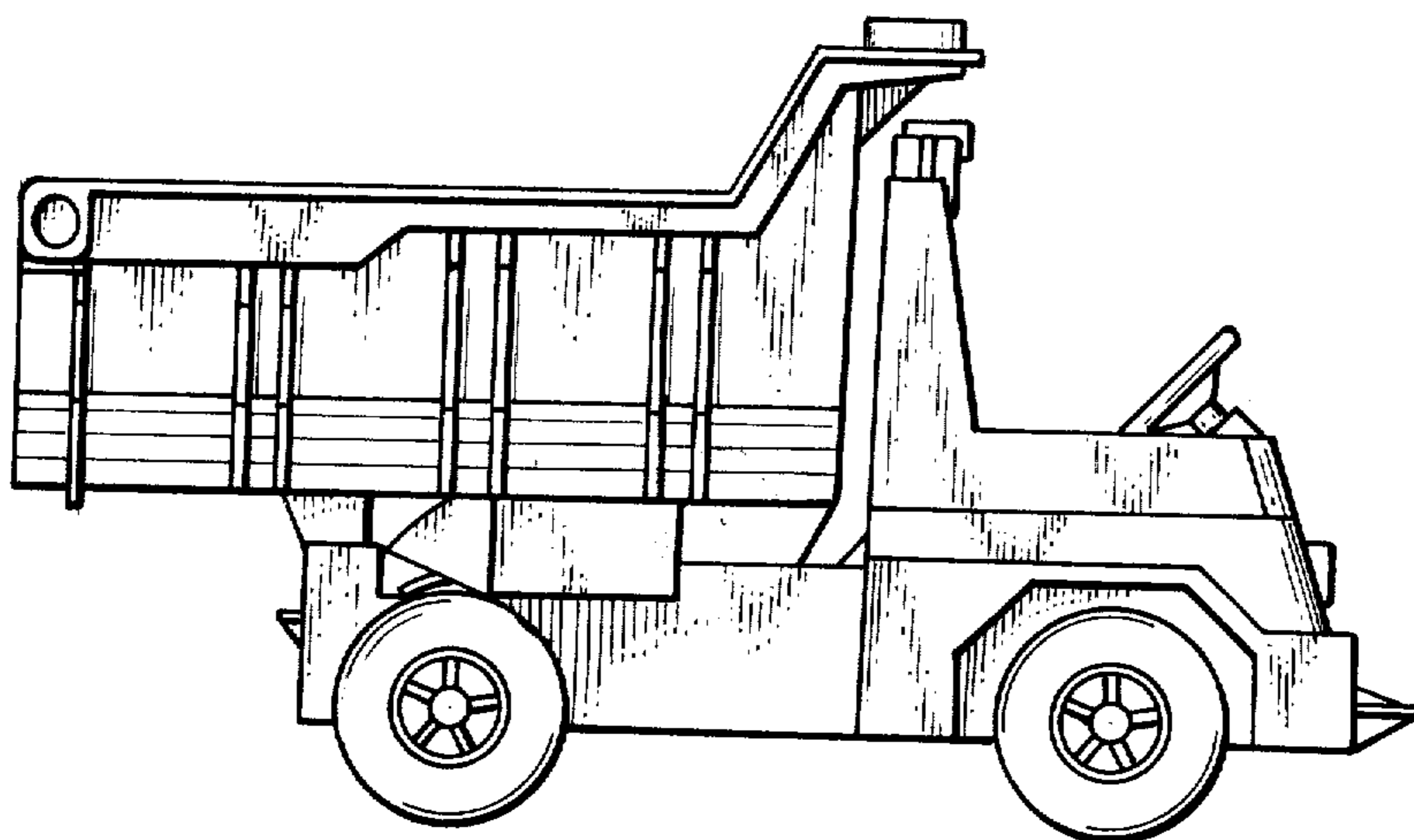


FIG. 6

**UNITED STATES PATENT OFFICE
CERTIFICATE OF CORRECTION**

PATENT NO. : **Des. 263,977**
DATED : **April 20, 1982**
INVENTOR(S) : **Jack J. Breneman**

It is certified that error appears in the above-identified patent and that said Letters Patent are hereby corrected as shown below:

On the title page, 75 Inventor:

Change the inventor's name from "Jack J. Breneman" to
"Jack L. Breneman".

Signed and Sealed this

Fifth Day of April 1983

[SEAL]

Attest:

GERALD J. MOSSINGHOFF

Attesting Officer

Commissioner of Patents and Trademarks