

[54] **COMBINED MINIATURE CAMERA WITH FLASH UNIT**

[75] Inventor: **Karl-Heinz Lange**, Bünde, Fed. Rep. of Germany

[73] Assignee: **Balda-Werke**, Bünde, Fed. Rep. of Germany

[**] Term: **14 Years**

[21] Appl. No.: **38,538**

[22] Filed: **May 14, 1979**

[51] Int. Cl. **D16-01**

[52] U.S. Cl. **D16/6**

[58] Field of Search **D16/1-10, D16/42; 354/126, 145, 152, 187, 202, 288**

[56] **References Cited**

U.S. PATENT DOCUMENTS

D. 241,167	8/1976	Woodring et al.	D16/10
4,072,970	2/1978	Winkler	354/187
4,166,680	9/1979	Maitani	354/126

OTHER PUBLICATIONS

Popular Photography, Jun. 1977, p. 95; Hanimex Model VEF Zoom.

Primary Examiner—Peter M. Caun

Attorney, Agent, or Firm—Howard I. Schuldenfrei

[57] **CLAIM**

The ornamental design for a combined miniature camera with flash unit, as shown and described.

DESCRIPTION

FIG. 1 is a perspective view of a combined miniature camera with affixed flash unit showing my new design, the camera being shown in an operative picture-taking position with the lens cover retracted and objective fully extended;

FIG. 2 is a perspective view thereof showing the camera in a closed position;

FIG. 3 is an elevated front view thereof, showing the camera in the open position;

FIG. 4 is a top plan view thereof, as oriented in the position seen in FIG. 3;

FIG. 5 is an elevated rear view thereof;

FIG. 6 is a bottom plan view thereof as oriented in the position seen in FIG. 5;

FIG. 7 is an elevated side view thereof as seen from the left of FIG. 1;

FIG. 8 is an elevated side view thereof as seen from the right of FIG. 1;

FIG. 9 is an isolated perspective view of the camera, the camera being shown in open picture-taking position with the lens cover retracted and objective extended;

FIG. 10 is an elevated front view thereof, as seen in FIG. 9;

FIG. 11 is a top plan view thereof as seen in FIG. 10;

FIG. 12 is an elevated side view thereof as seen from the left of FIG. 10;

FIG. 13 is an elevated side view thereof as seen from the right of FIG. 10;

FIG. 14 is an elevated rear view thereof of FIG. 9;

FIG. 15 is a bottom plan view thereof of FIG. 14;

FIG. 16 is a perspective view of the camera, the camera being shown in a closed position;

FIG. 17 is an elevated front view thereof of FIG. 16;

FIG. 18 is a top plan view thereof of FIG. 16;

FIG. 19 is an elevated side view thereof from the left of FIG. 17;

FIG. 20 is an elevated side view thereof from the right of FIG. 17;

FIG. 21 is another elevated rear view thereof;

FIG. 22 is a top view thereof of FIG. 21;

FIG. 23 is a perspective view of the flash unit;

FIG. 24 is an elevated front view thereof;

FIG. 25 is a top plan view thereof;

FIG. 26 is an elevated side view thereof from the left of FIG. 24;

FIG. 27 is an elevated side view thereof from the right of FIG. 24;

FIG. 28 is an elevated rear view thereof; and

FIG. 29 is a bottom plan view thereof of FIG. 24.

FIGS. 9-22 and 23-29 show the camera and flash unit separately, respectively, solely for purposes of clarity of appearance of the invention.

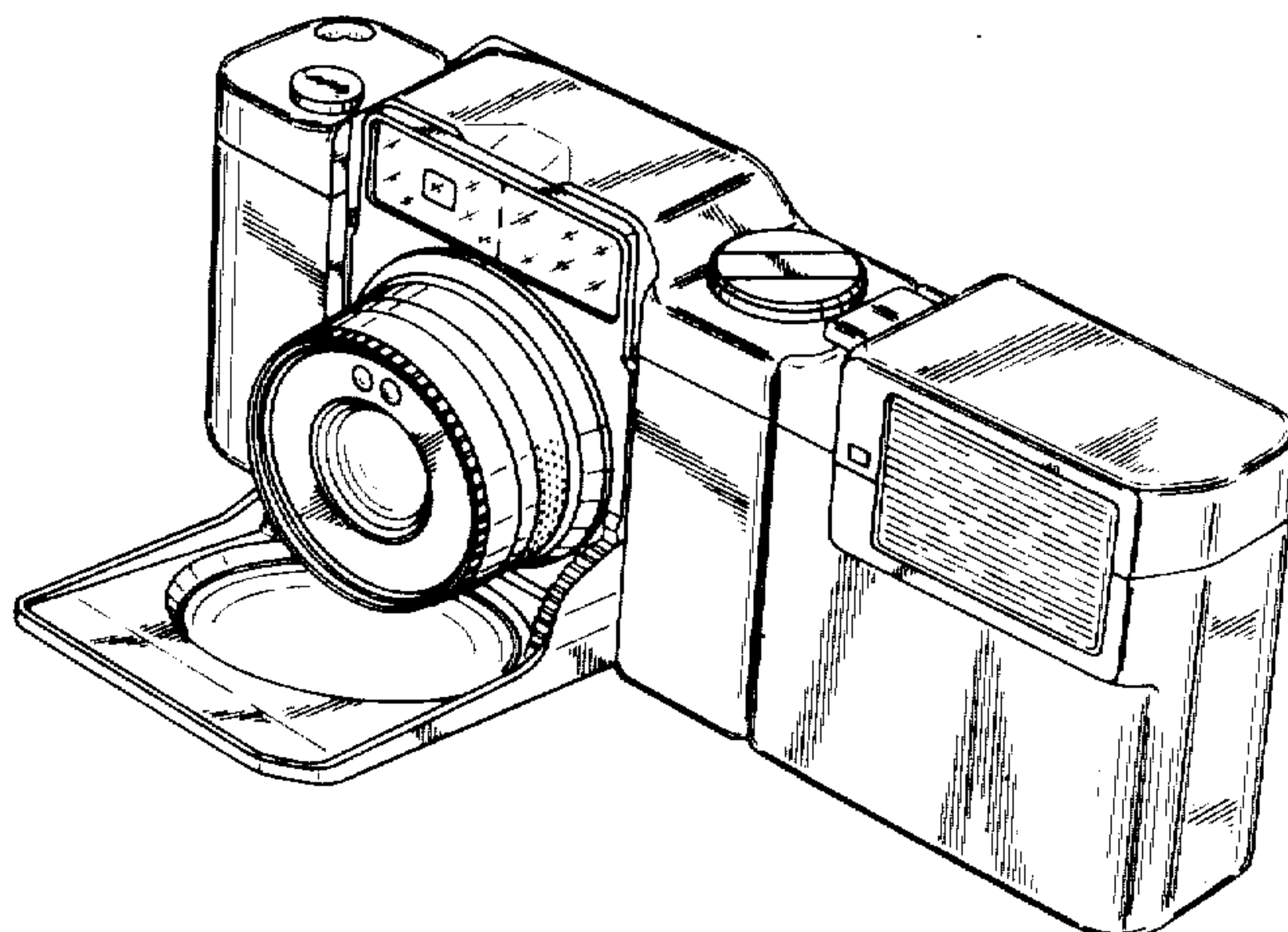


Fig.1

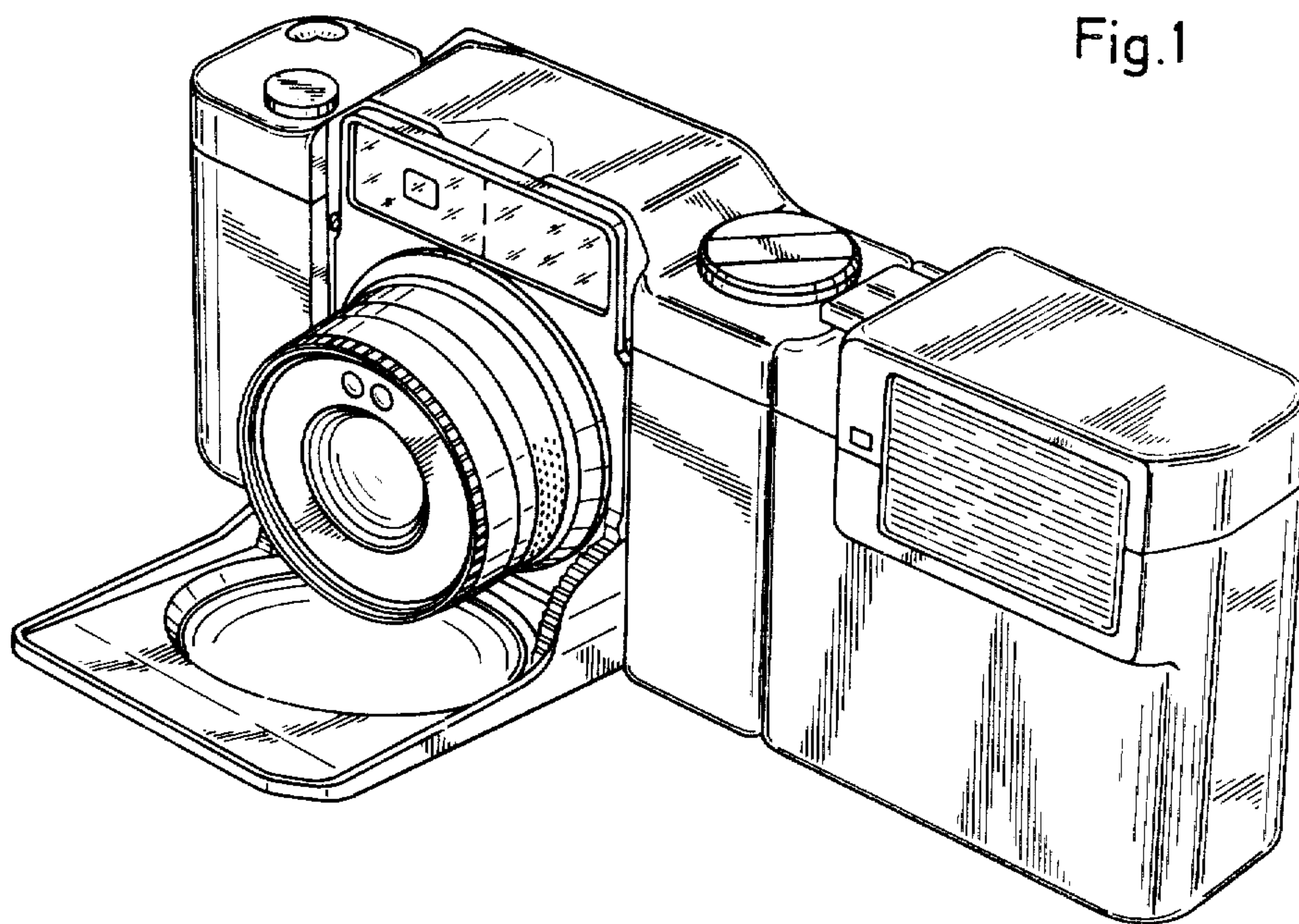


Fig.2

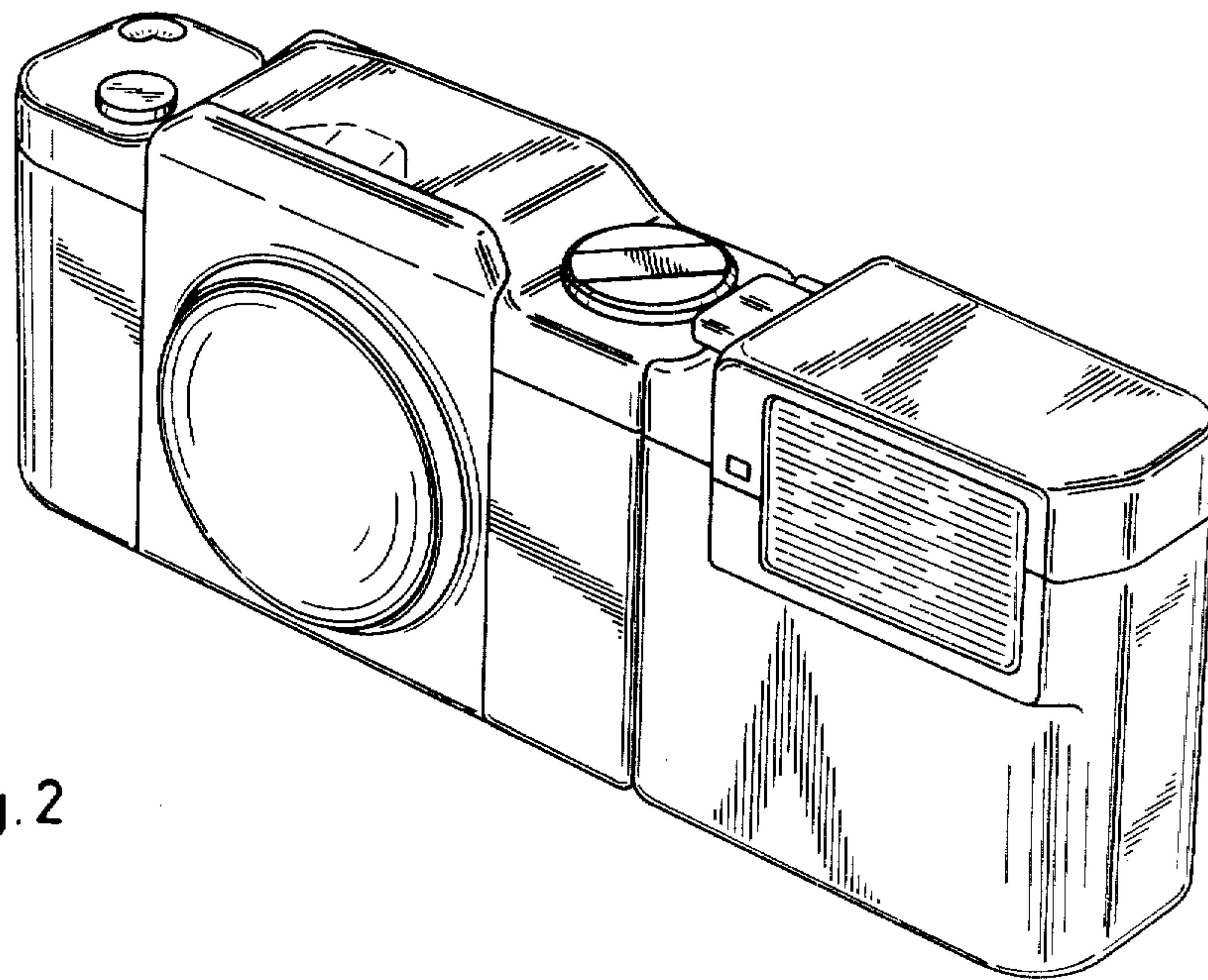


Fig. 3

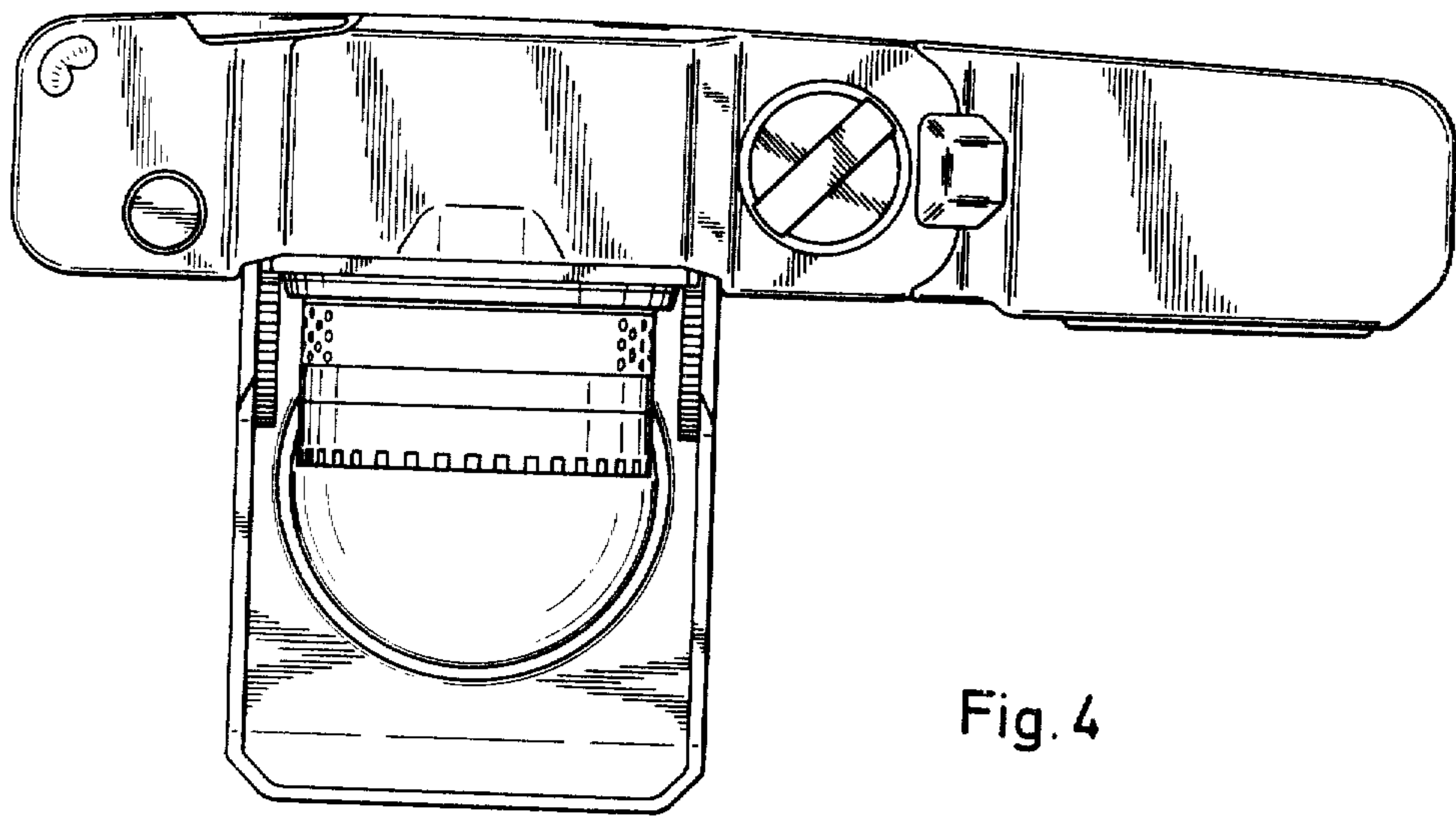
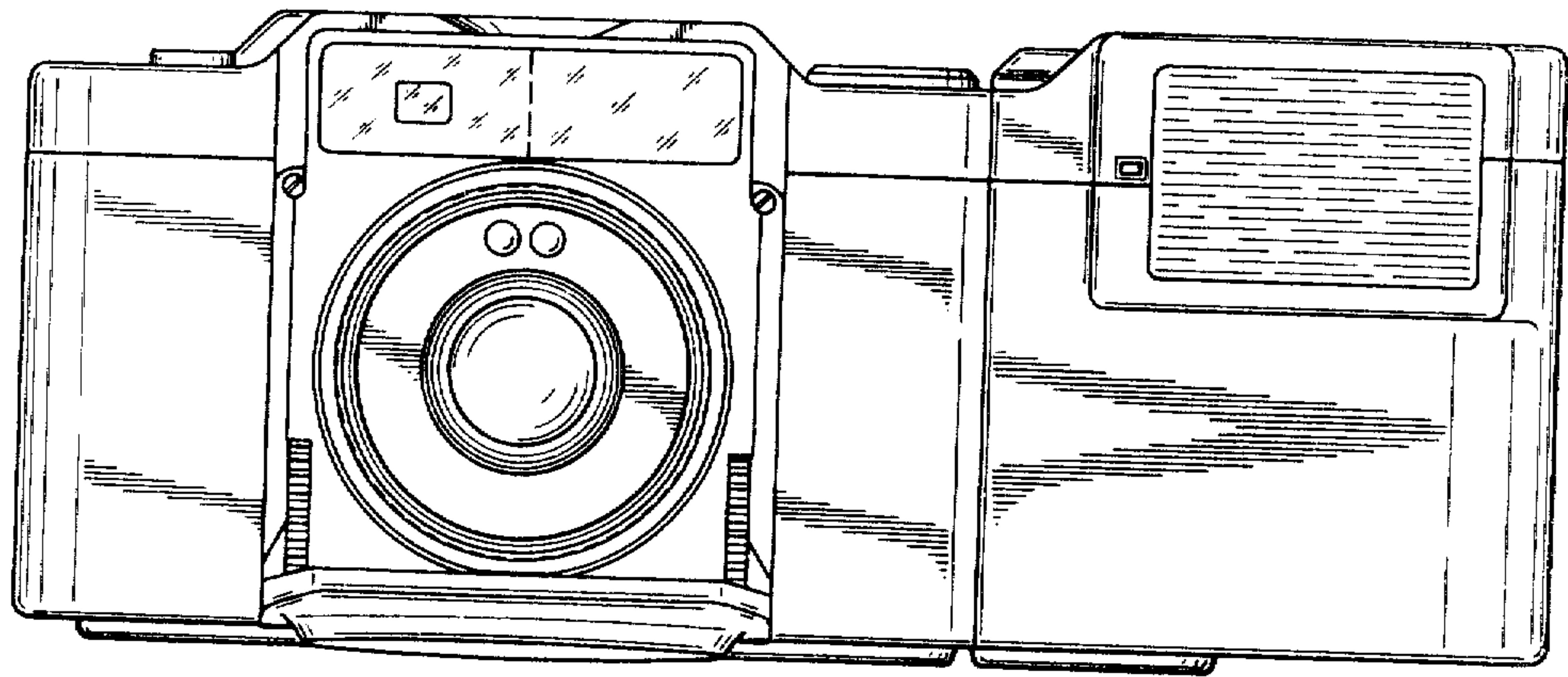


Fig. 4

Fig. 6

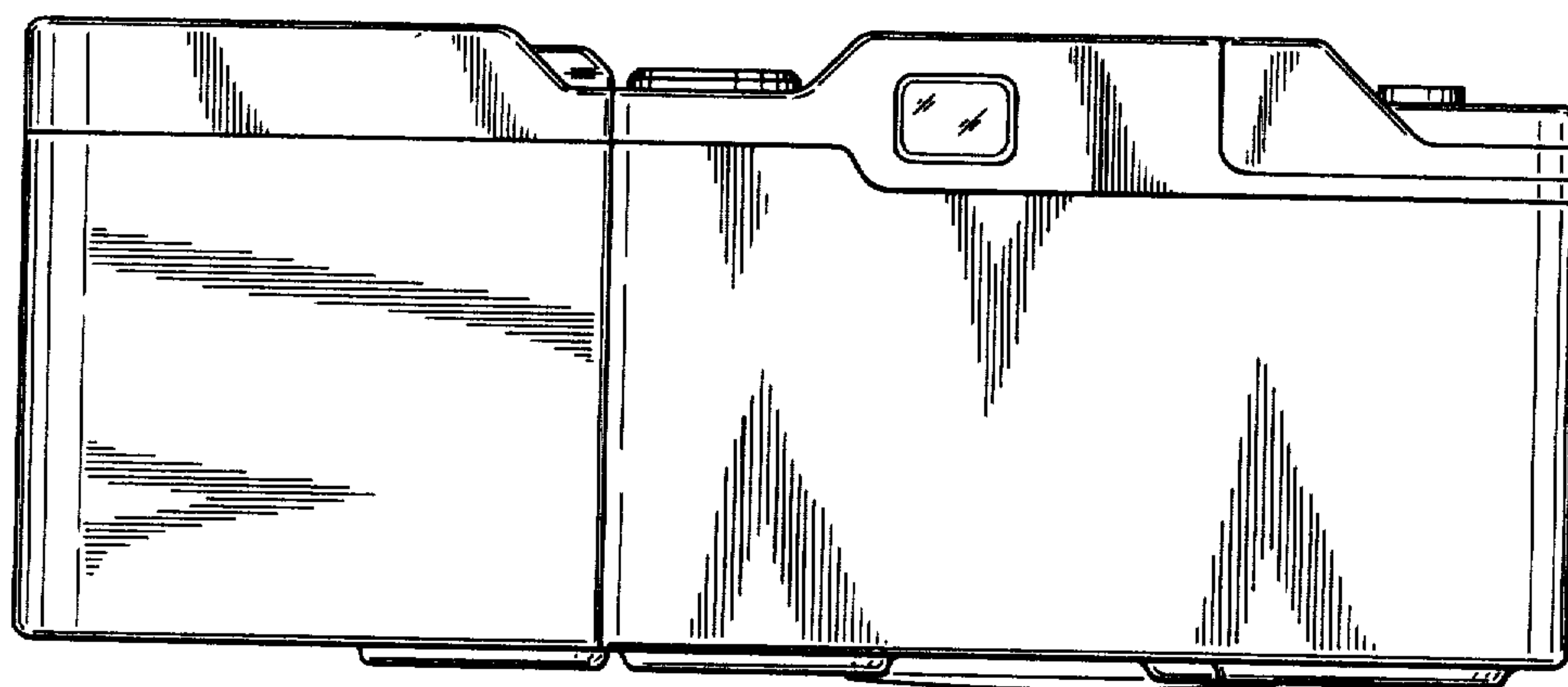
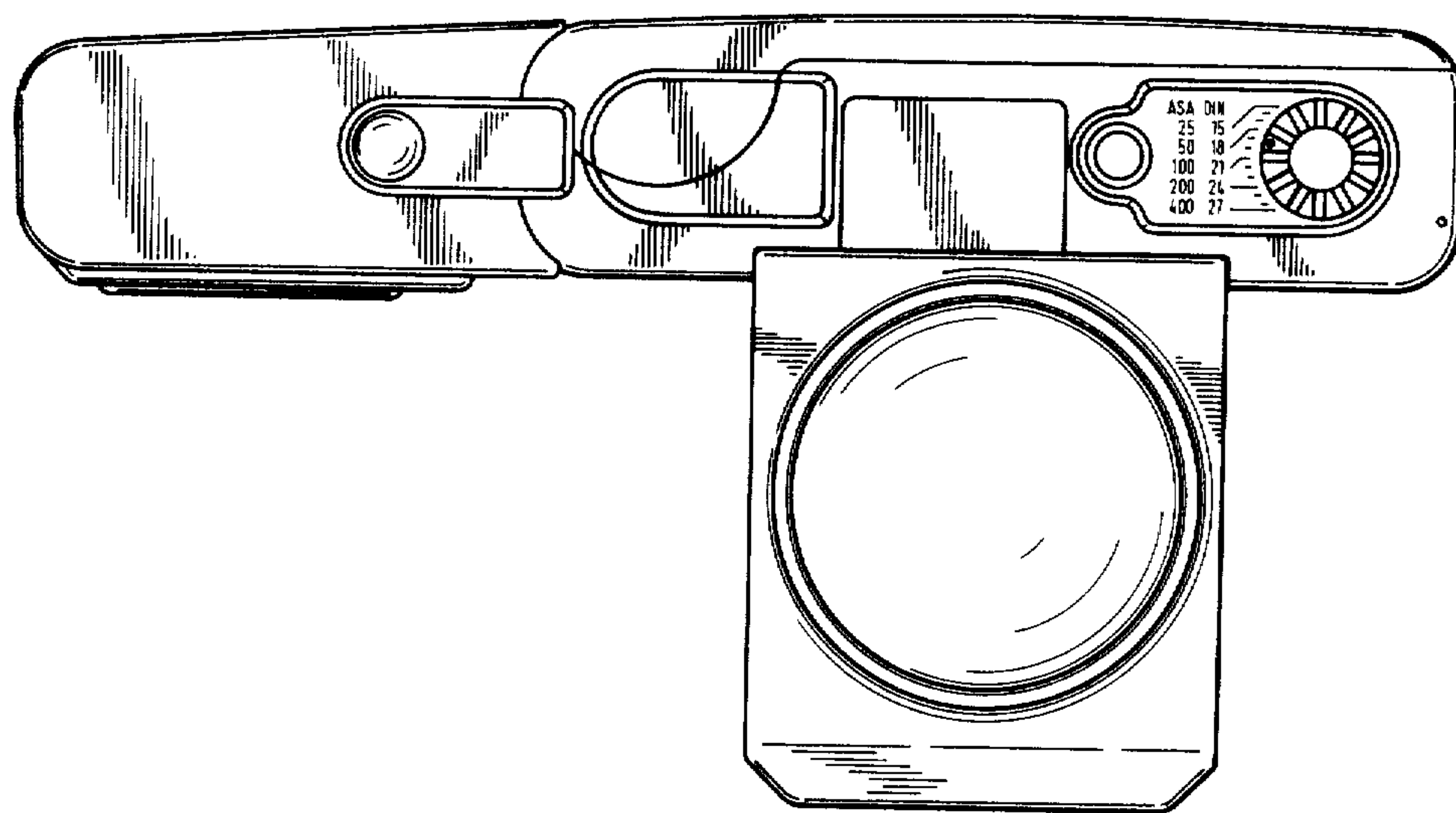
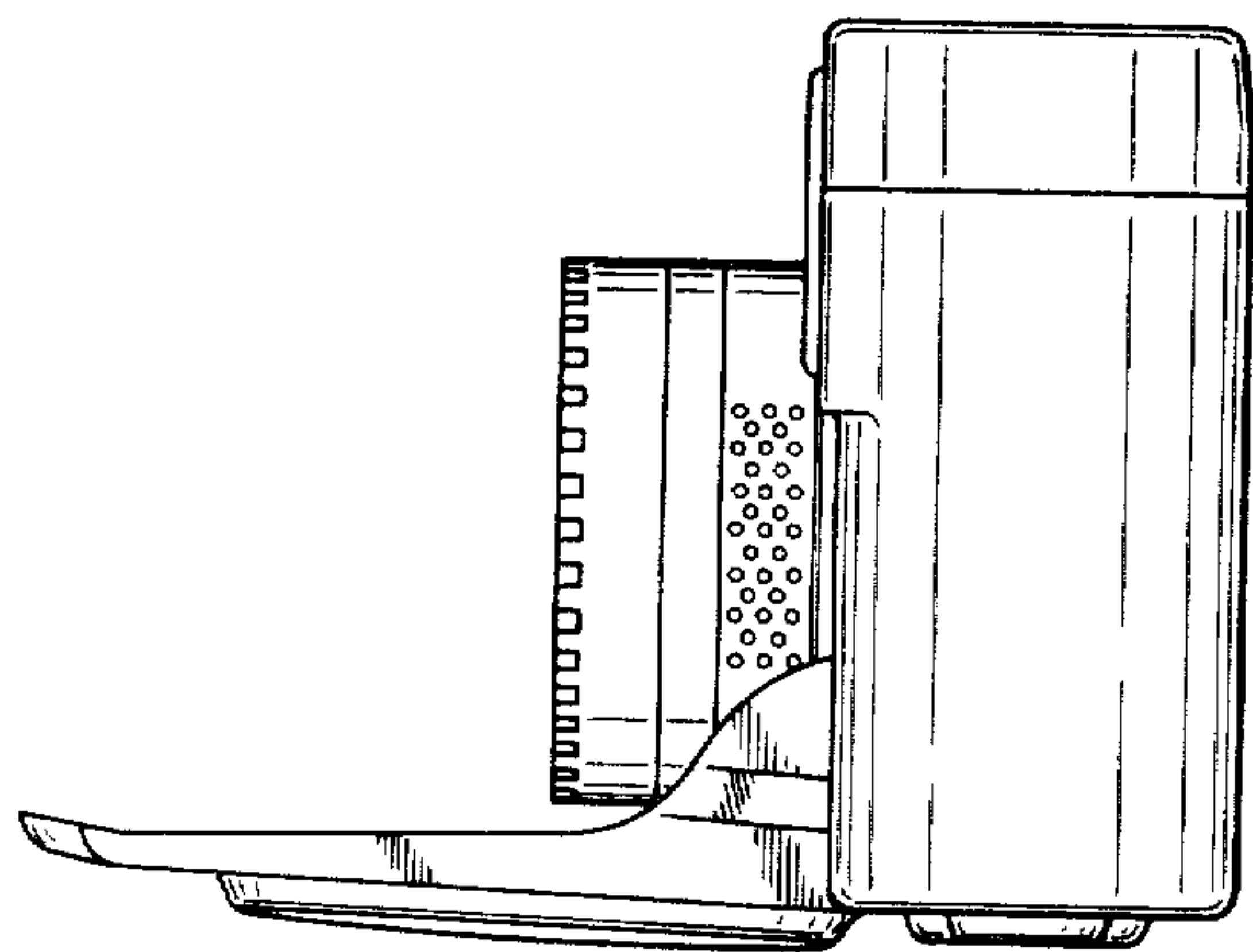
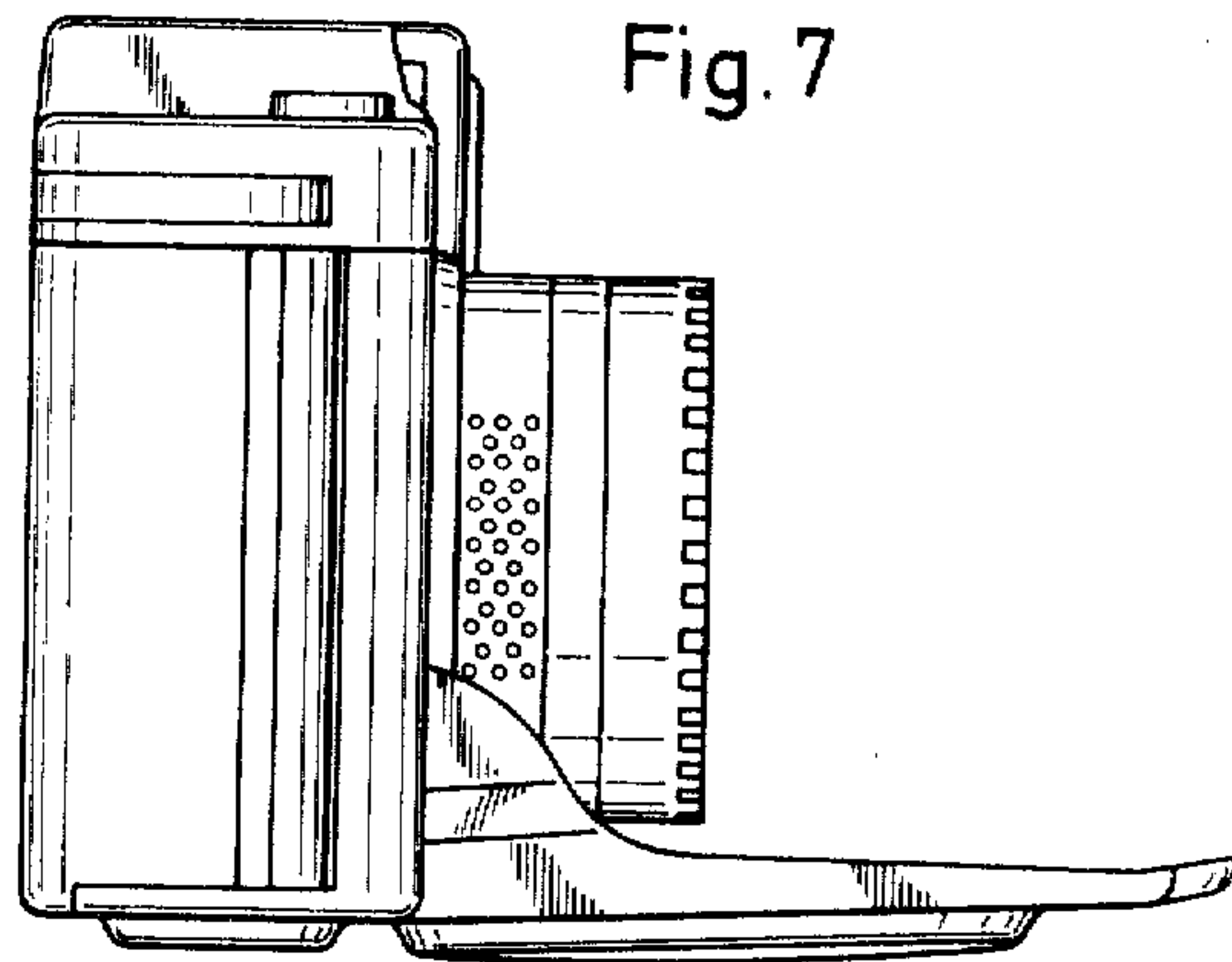


Fig. 5



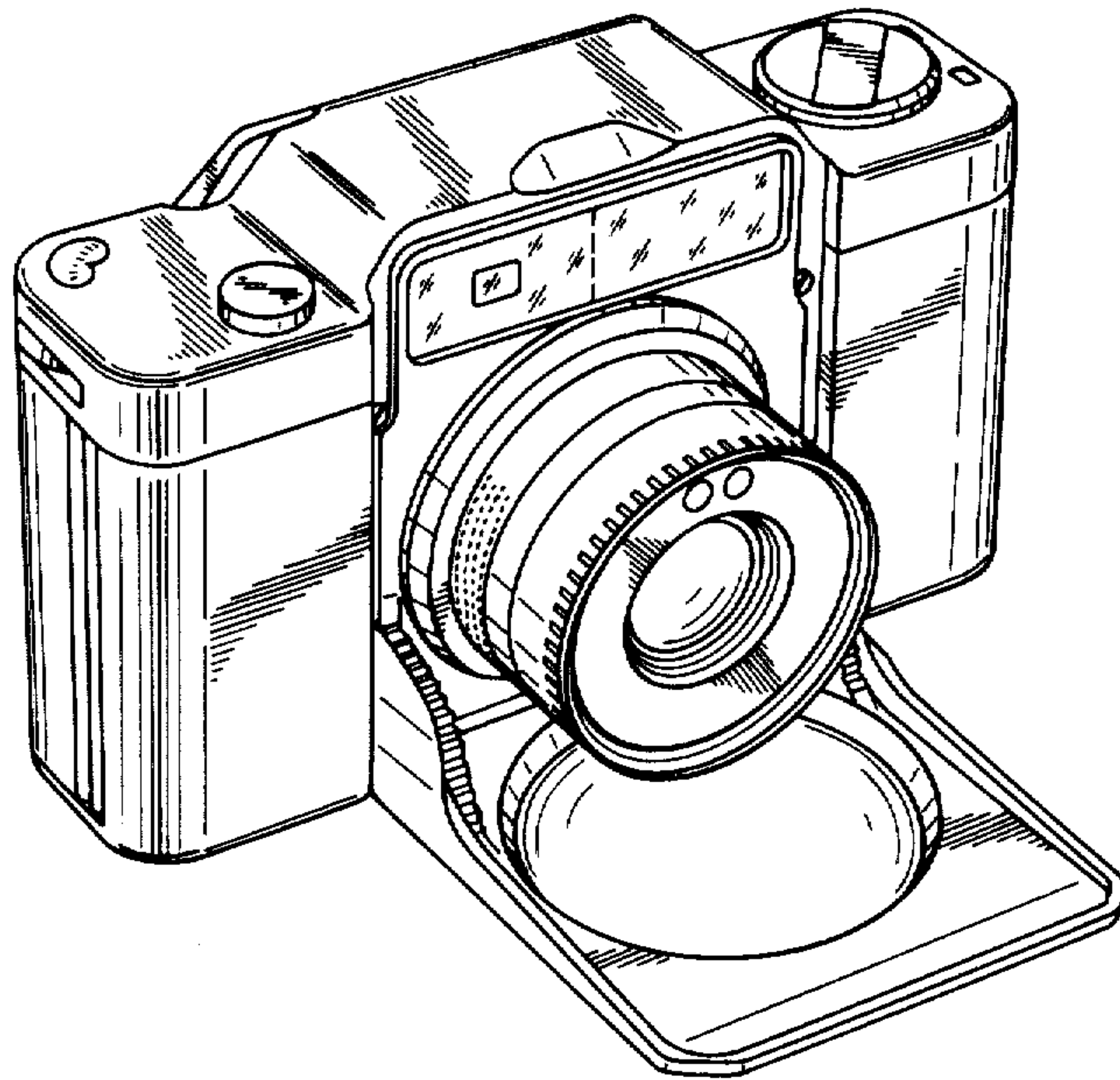


Fig. 9

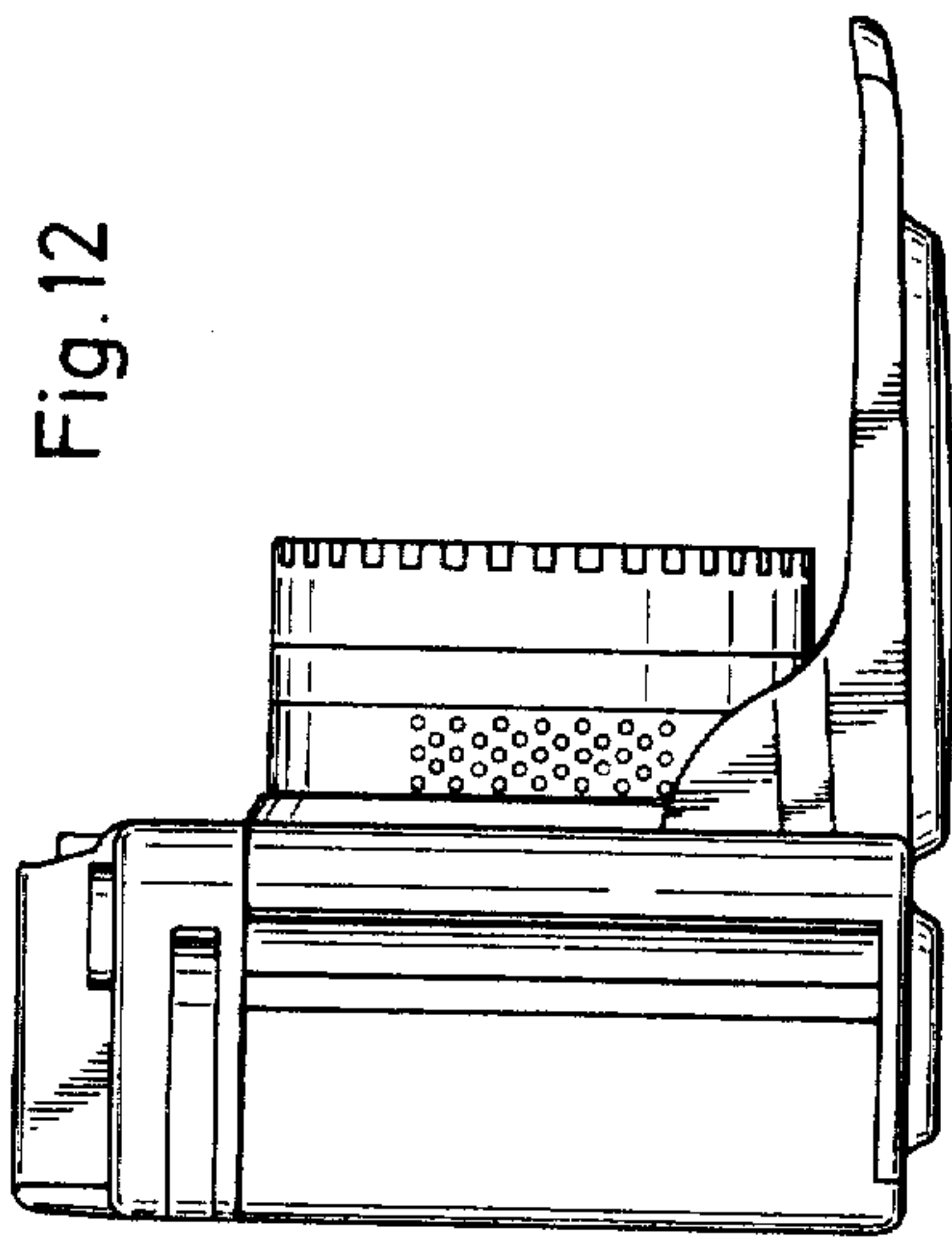


Fig. 12

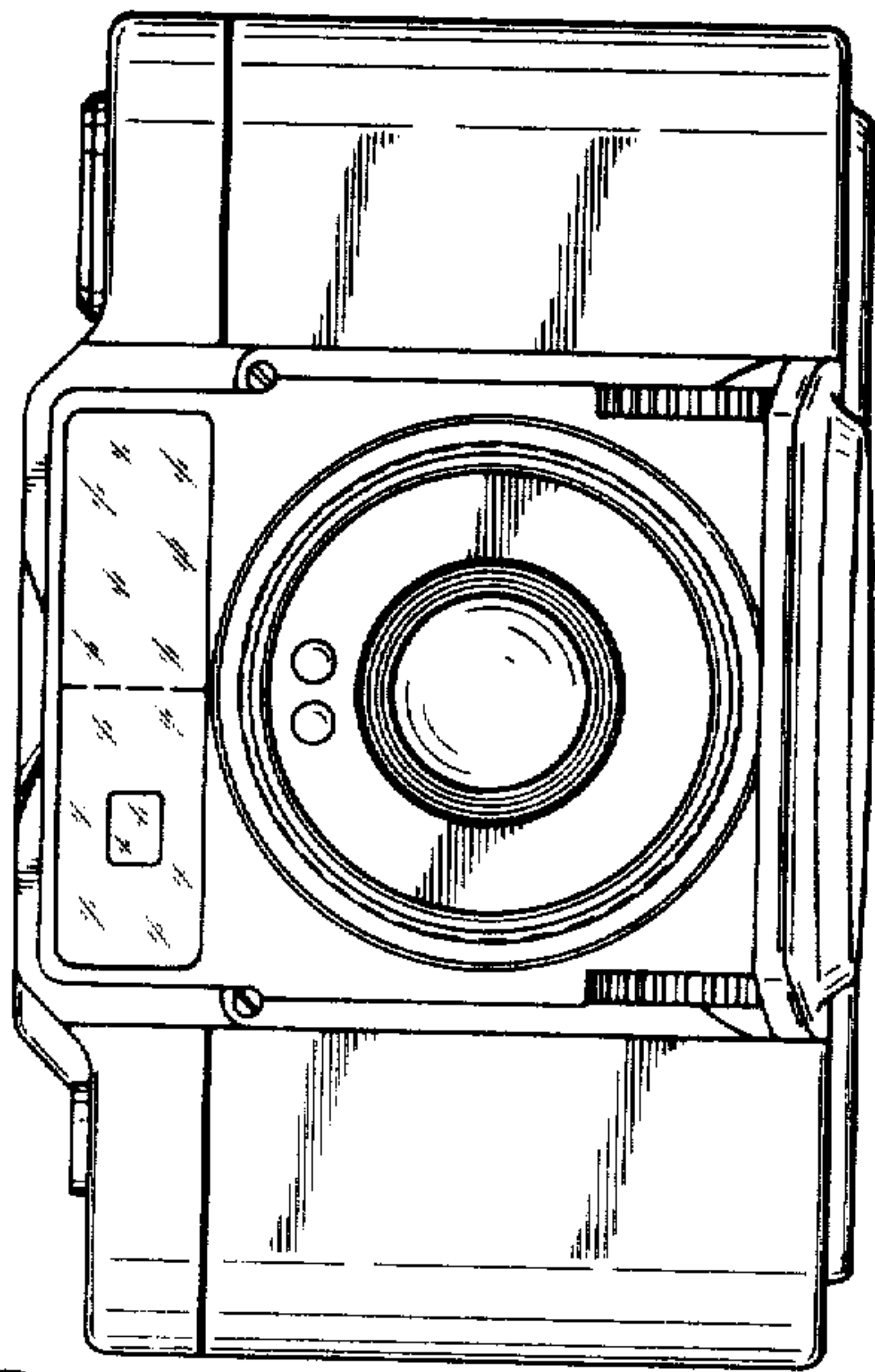


Fig. 10

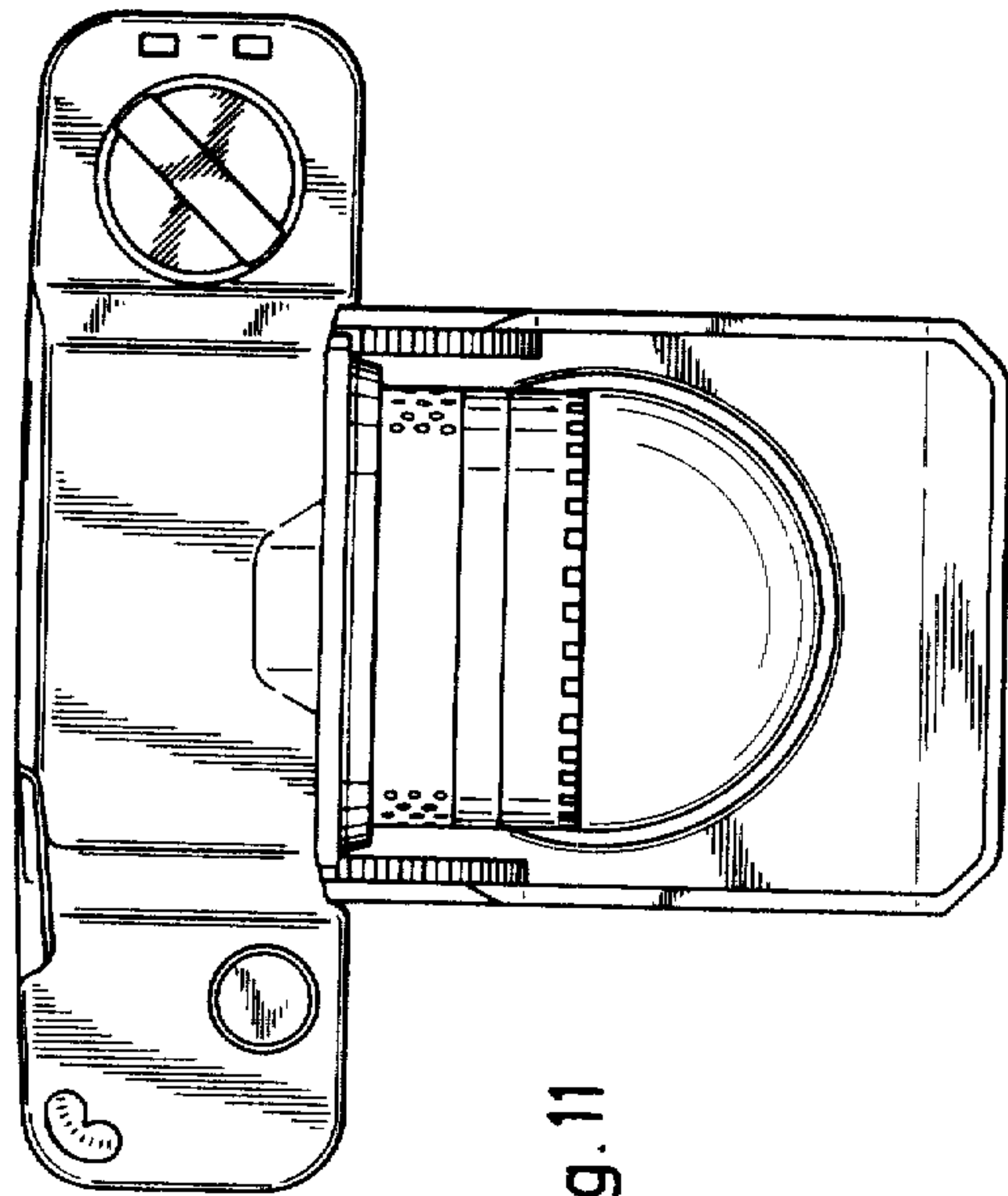


Fig. 11

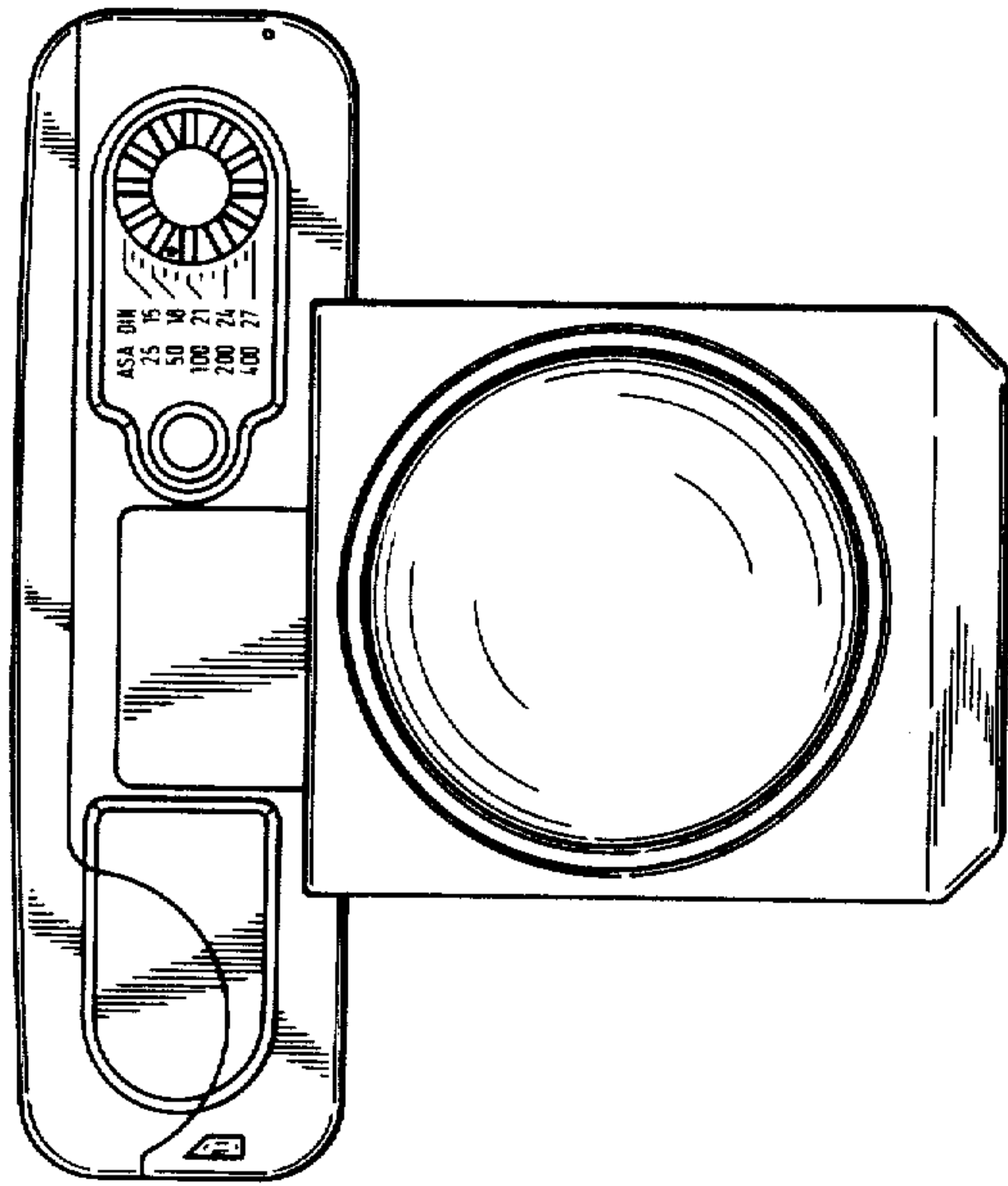


Fig. 15

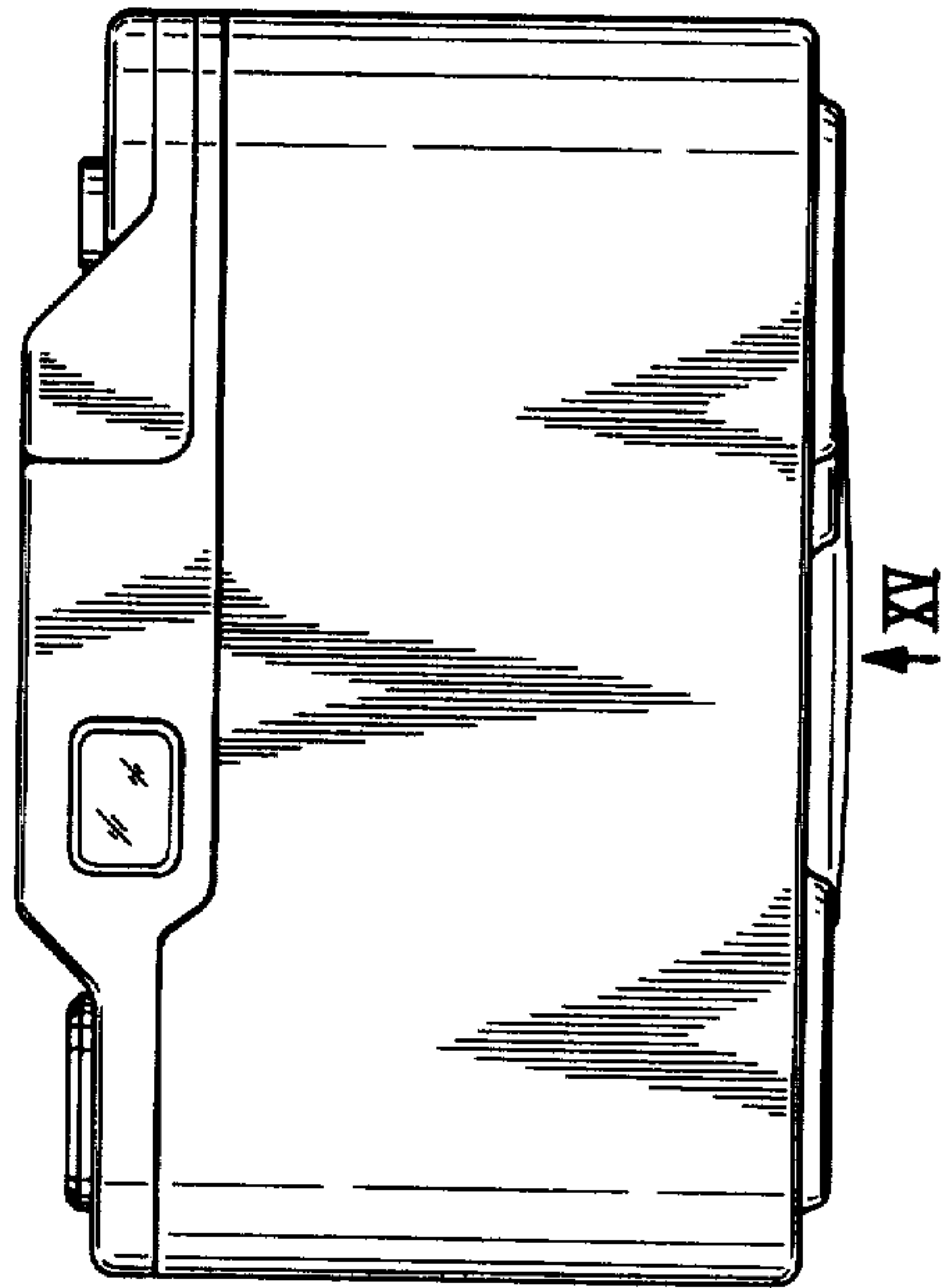


Fig. 14

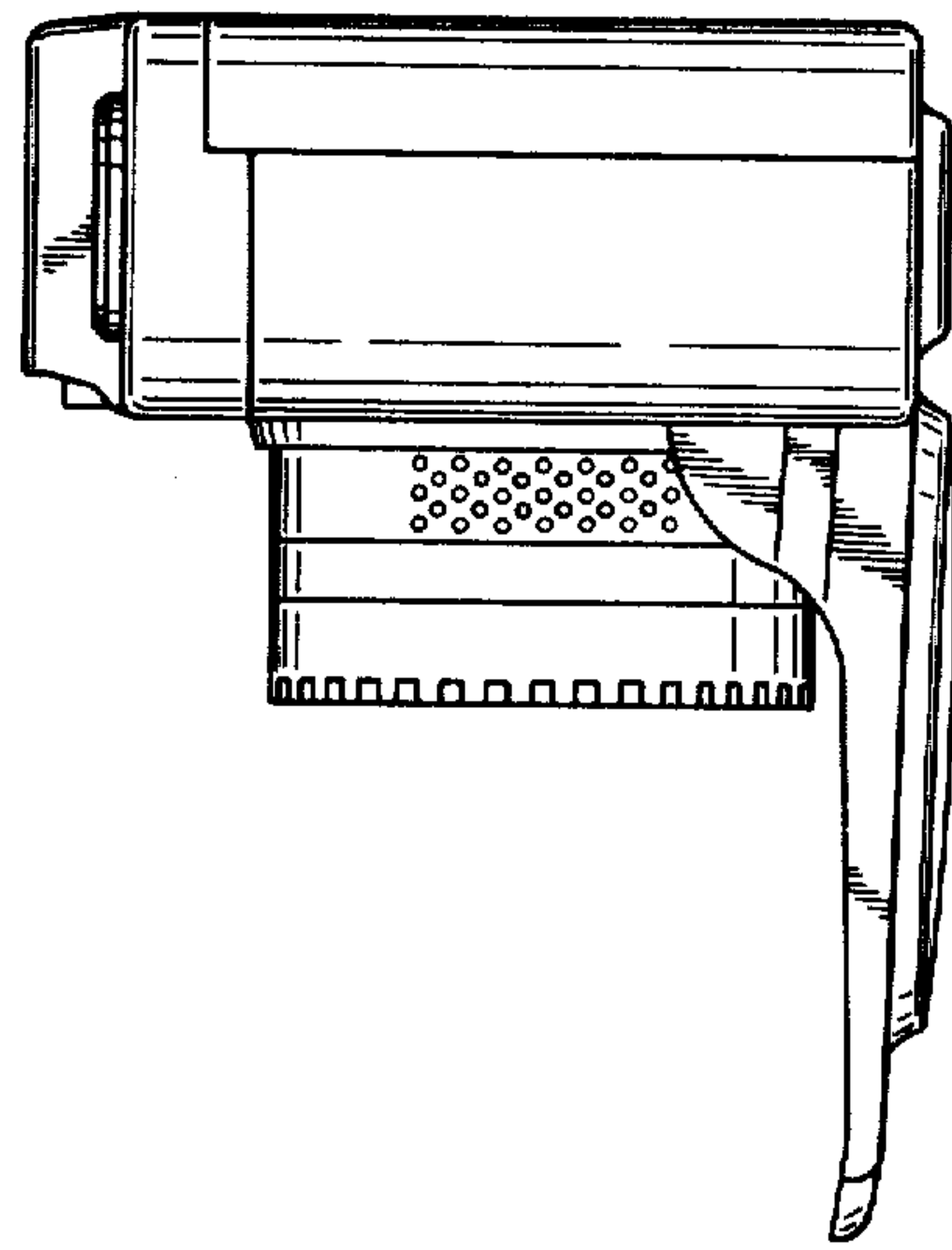


Fig. 13

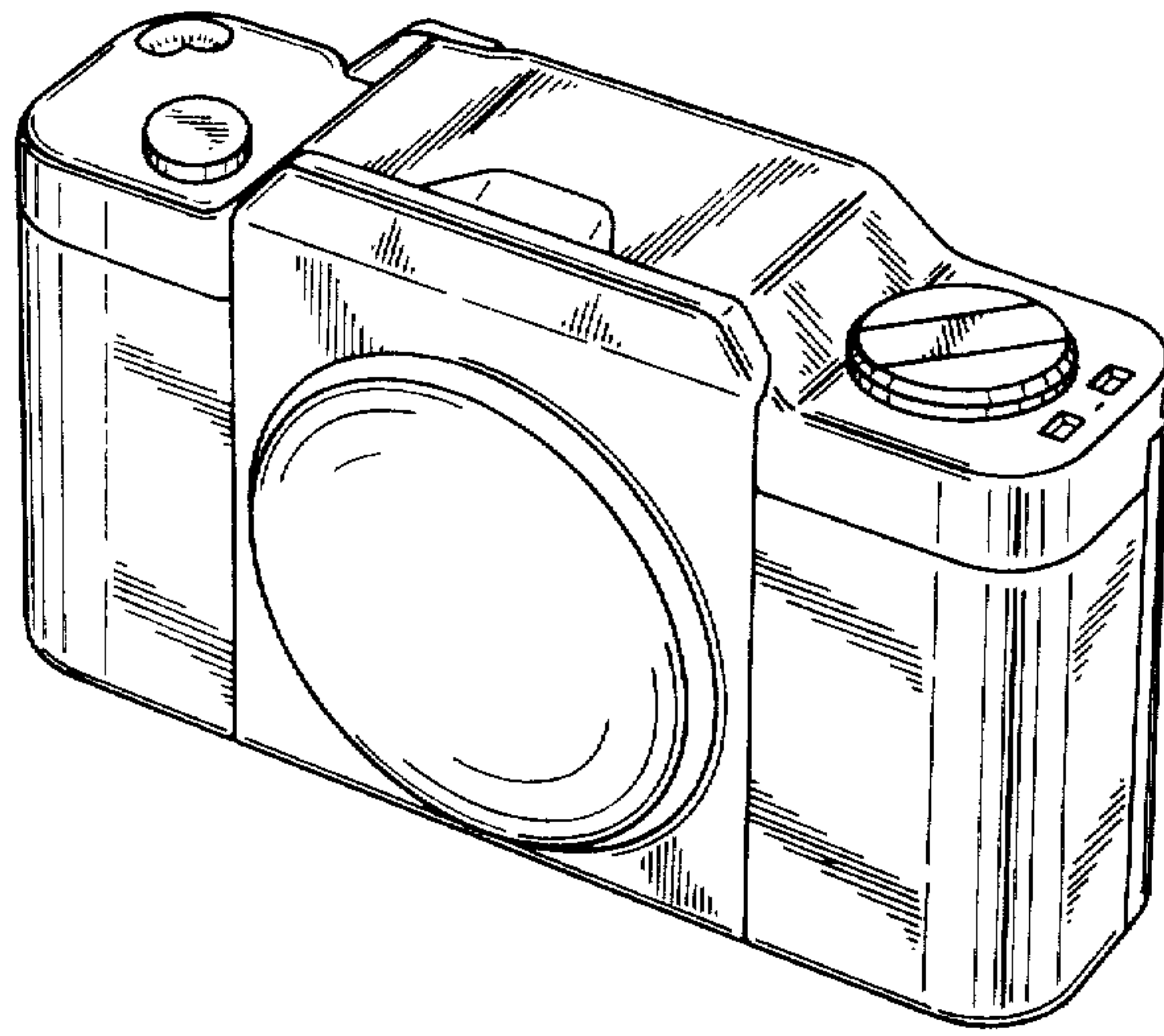


Fig. 16

Fig. 17

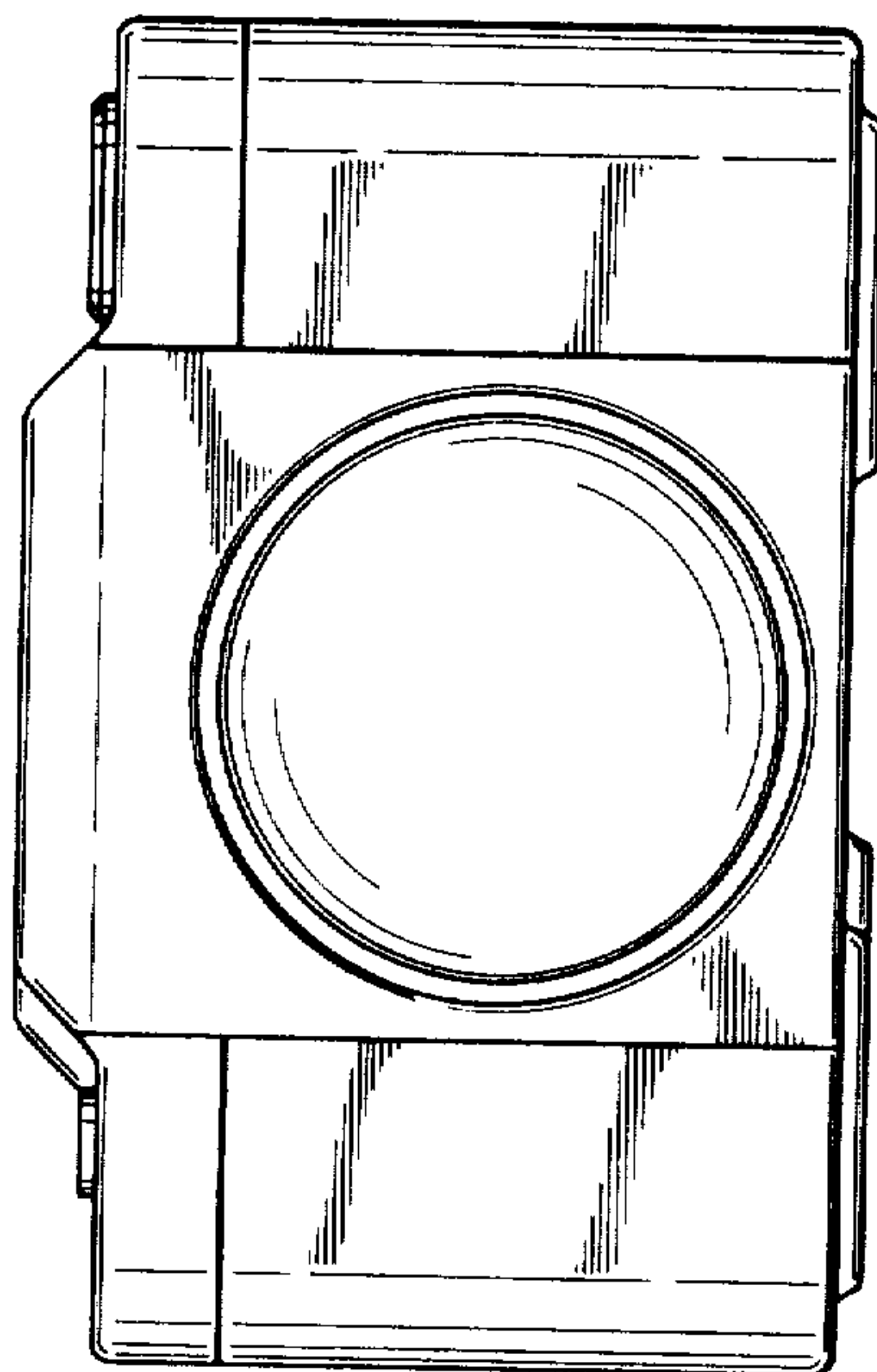


Fig. 20

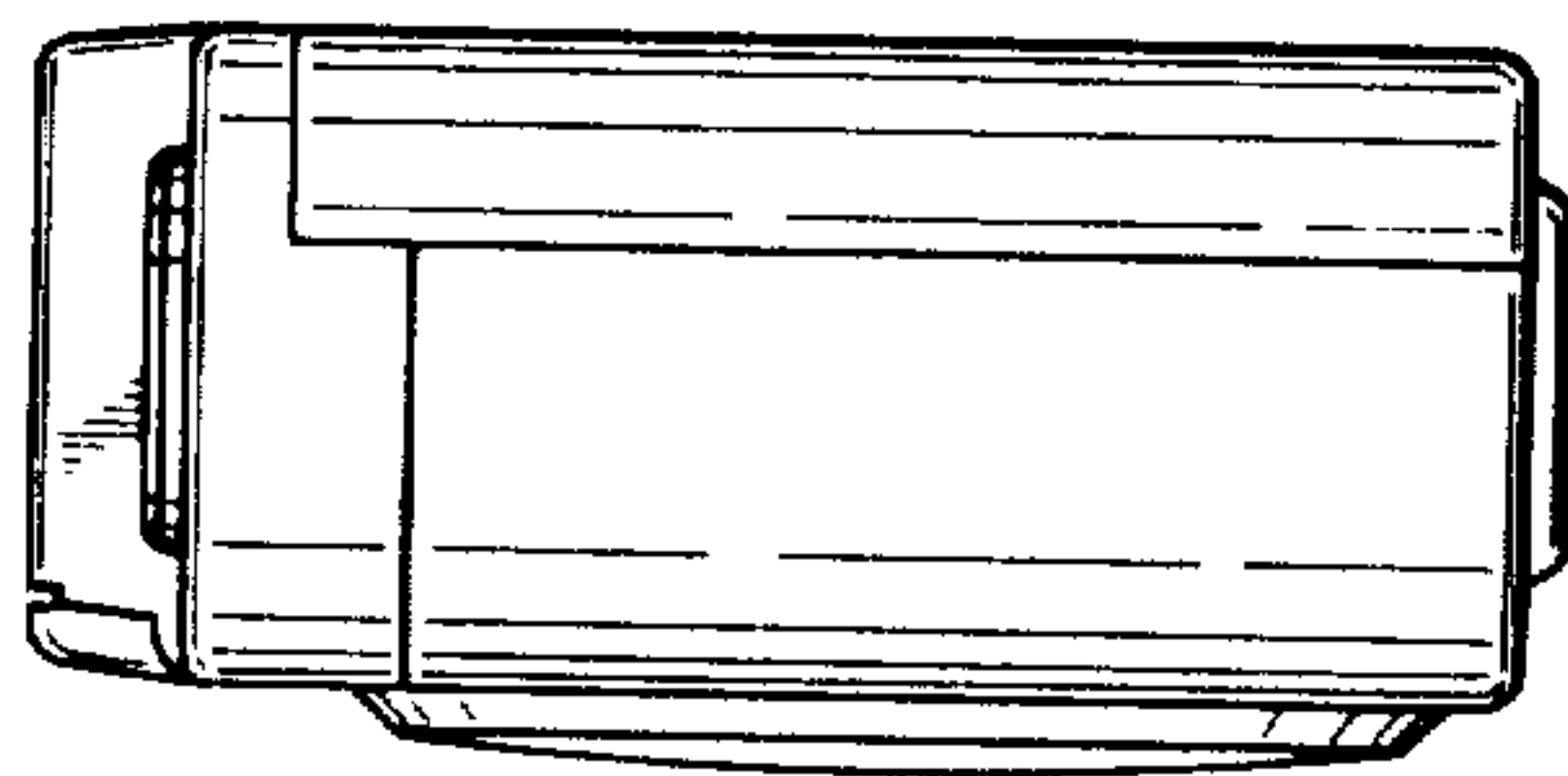


Fig. 19

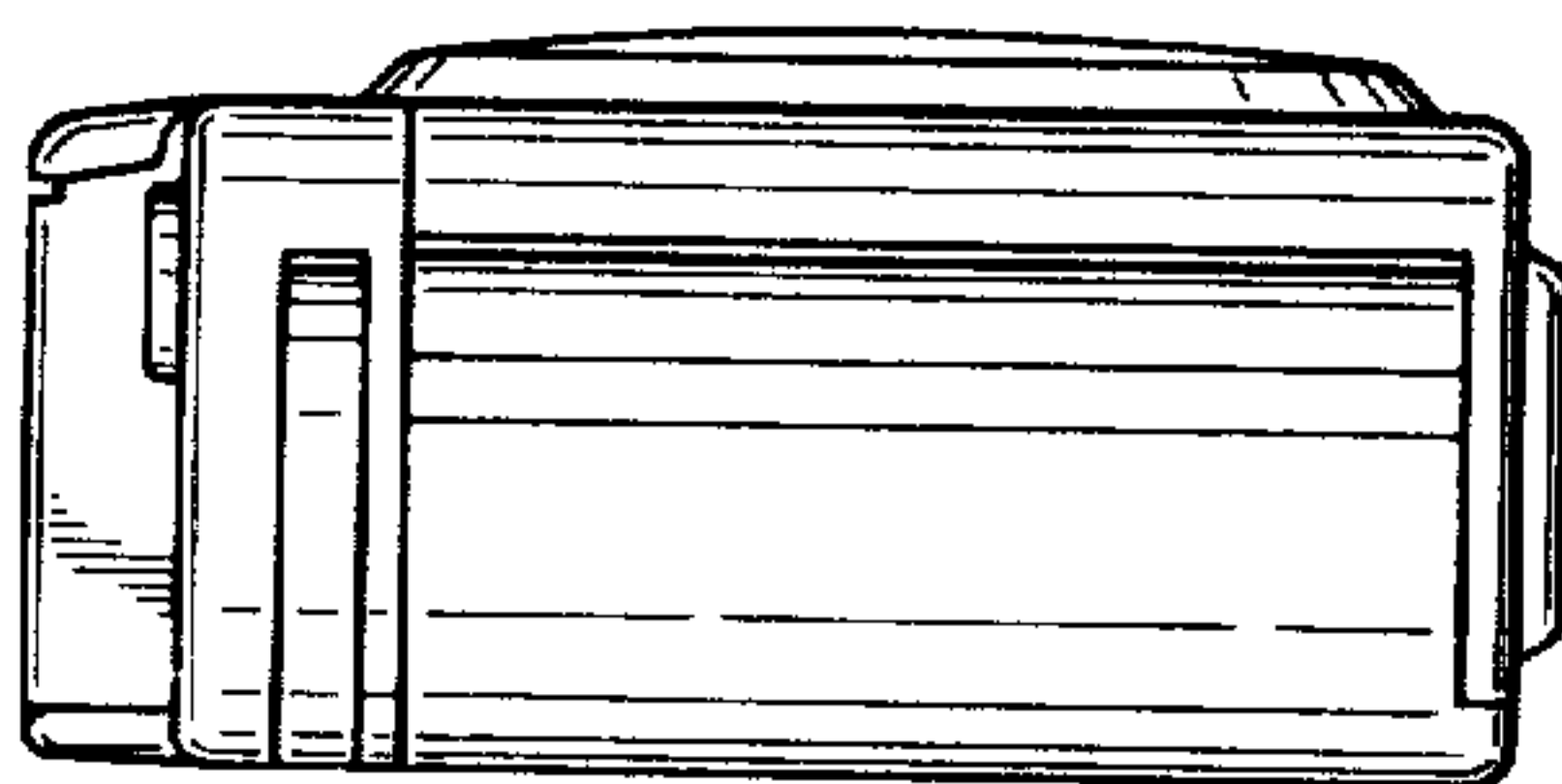


Fig. 18

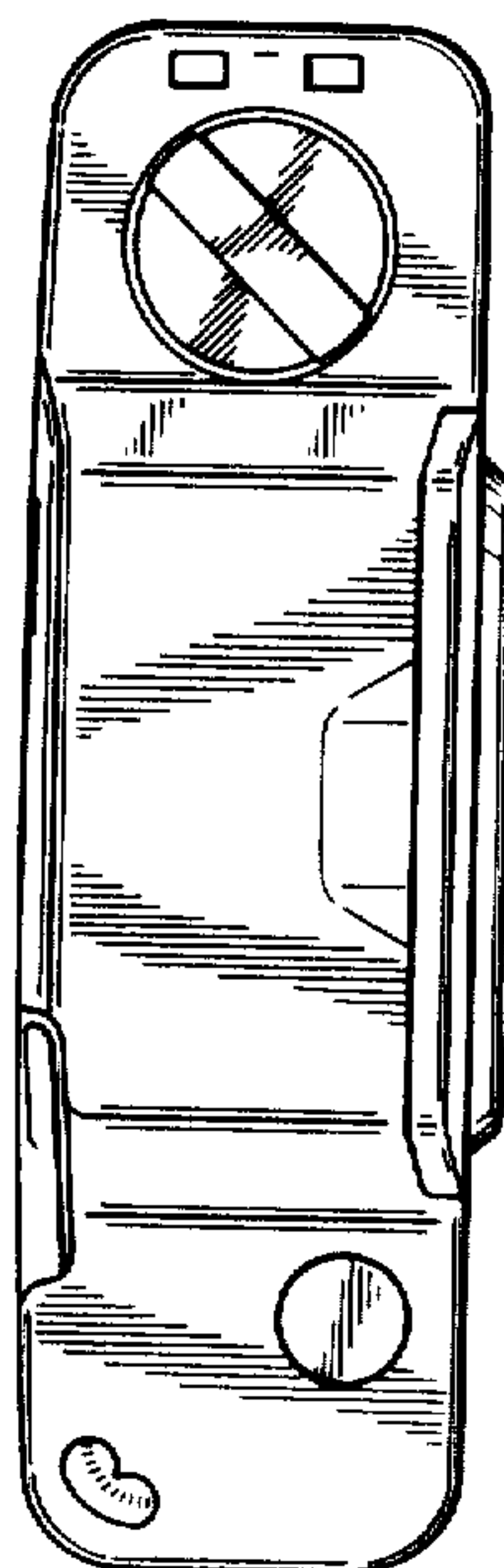


Fig. 22

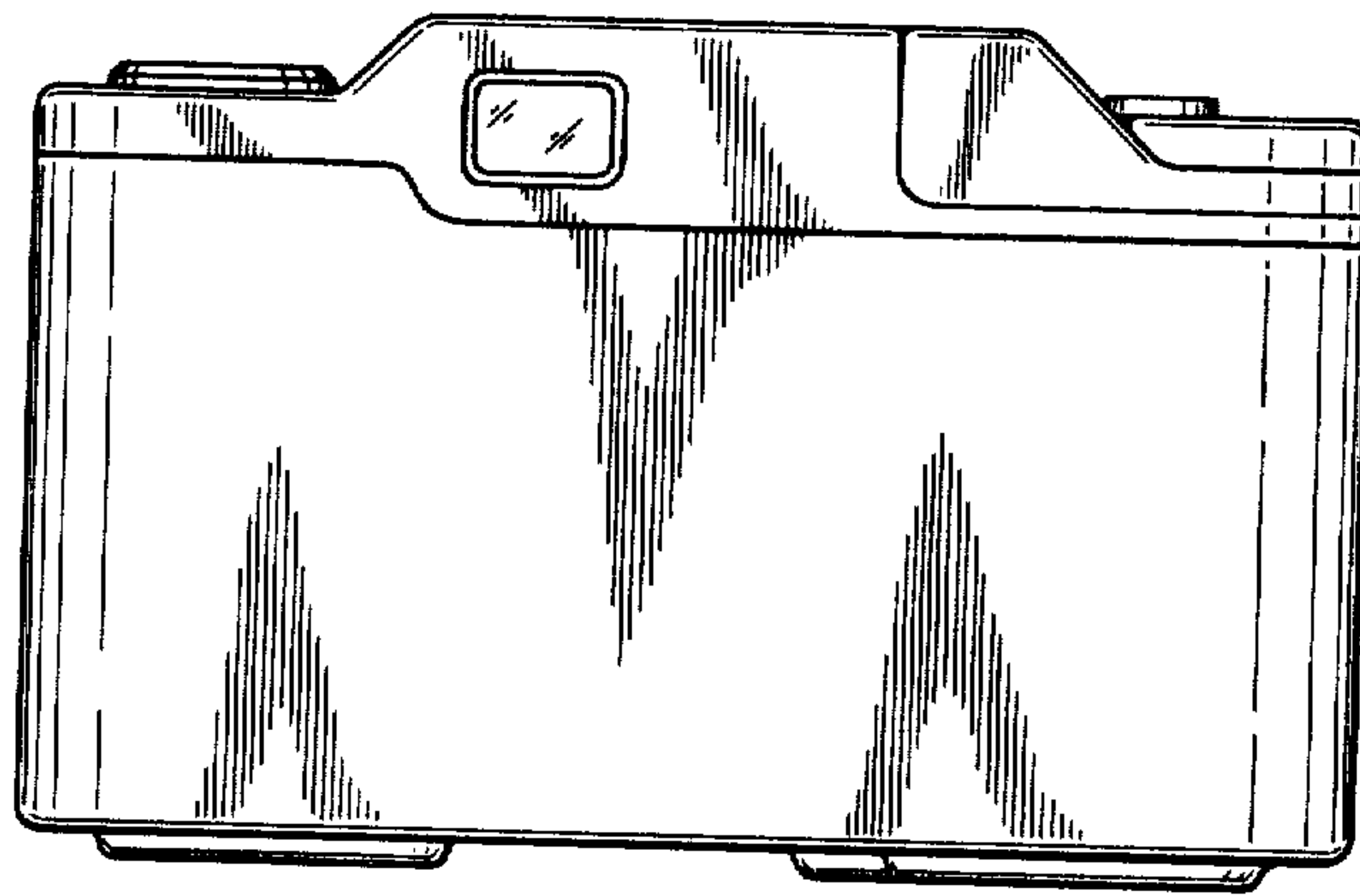
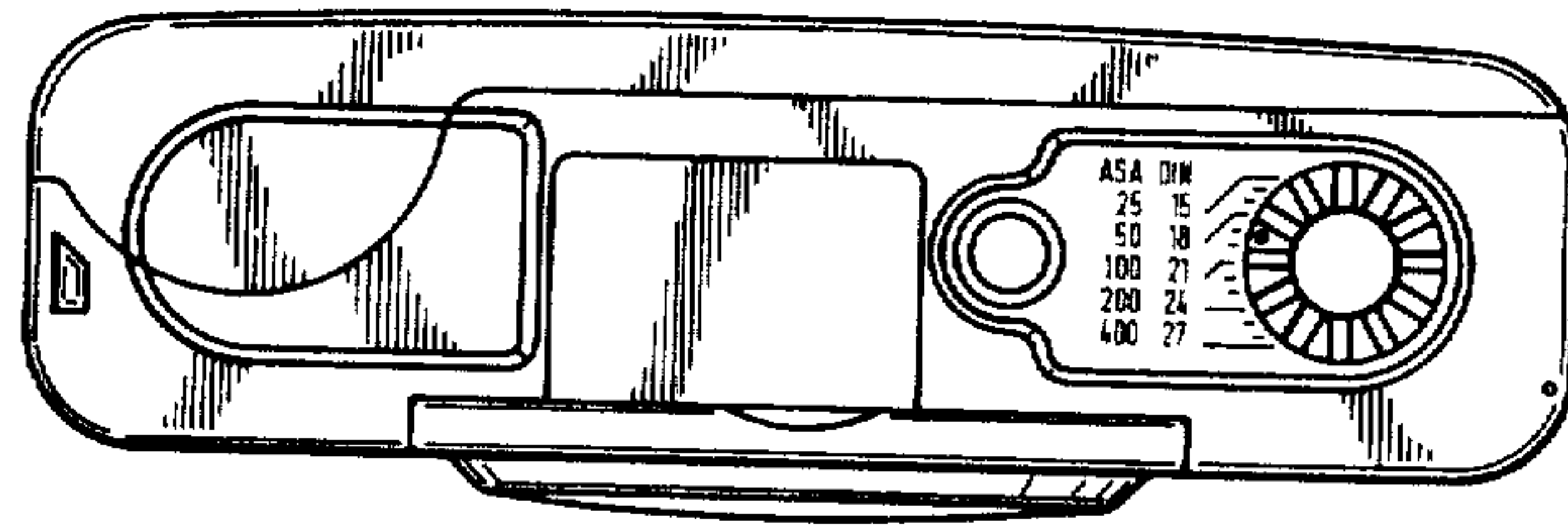


Fig. 21

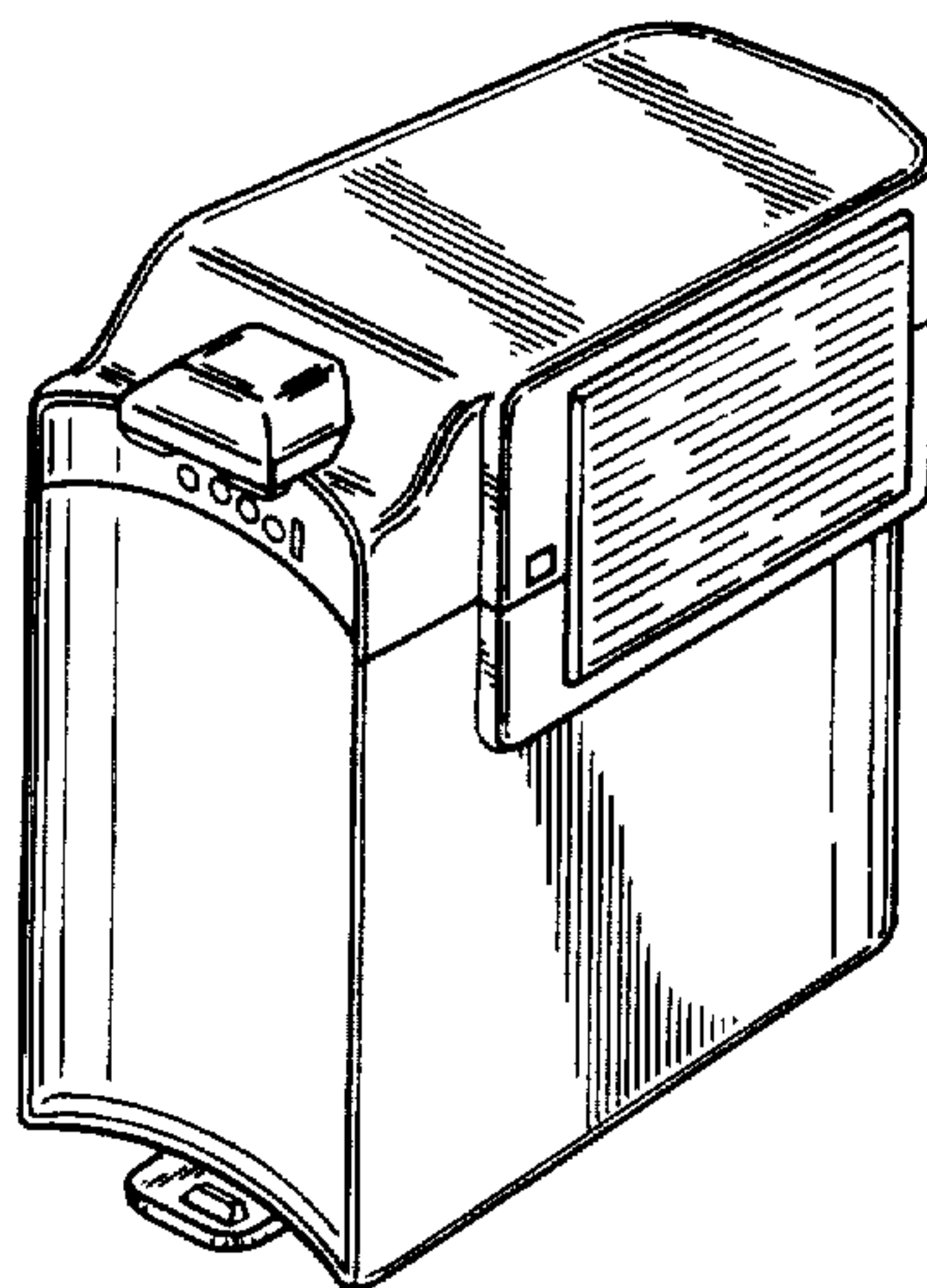


Fig. 23

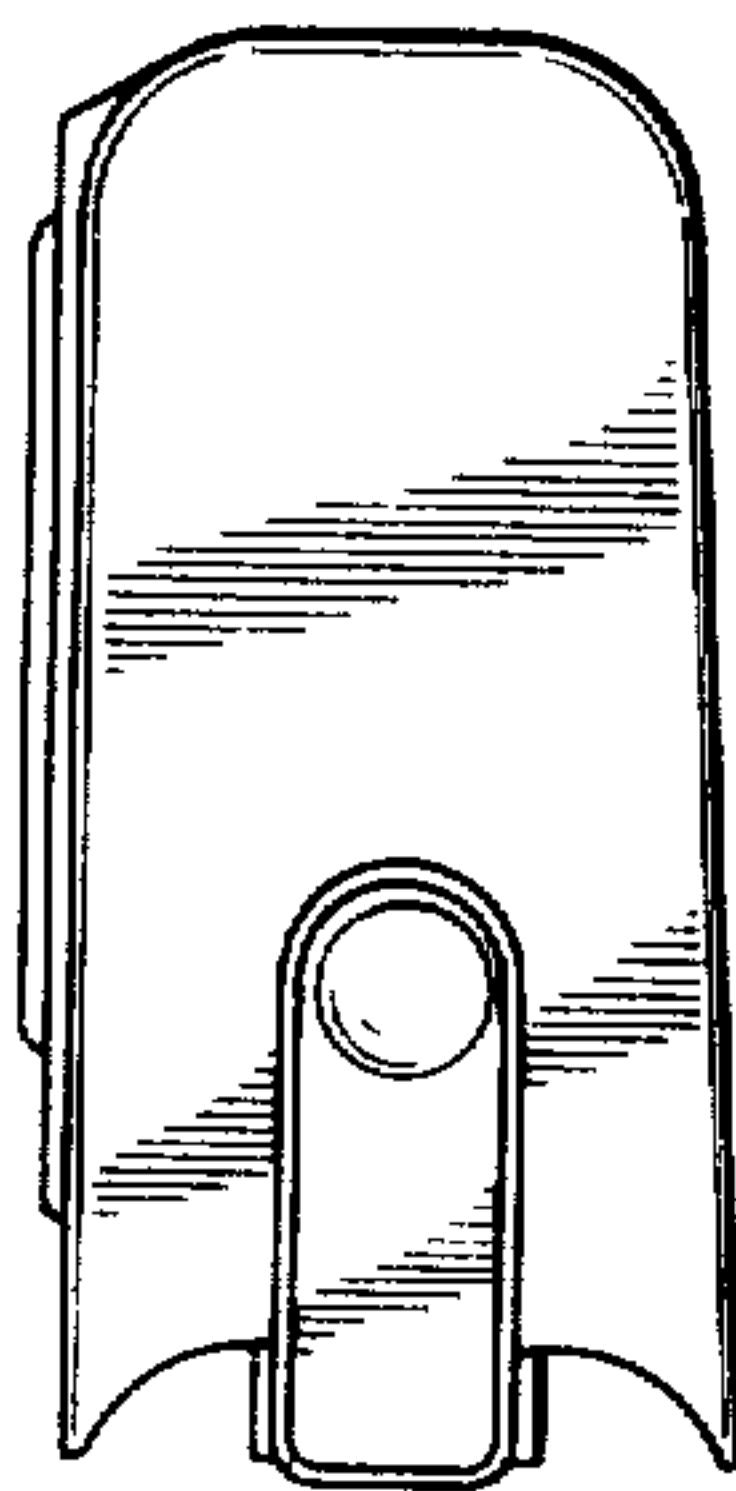


Fig. 29

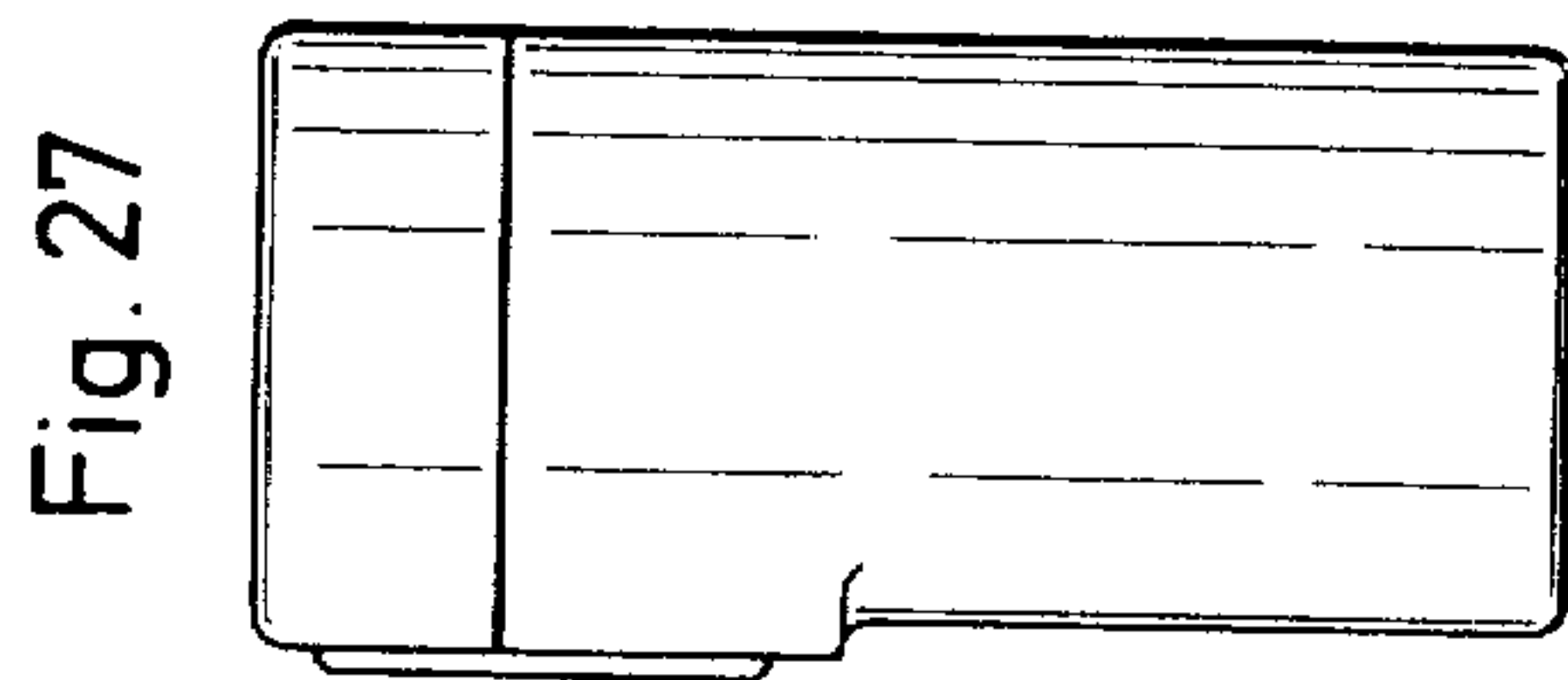


Fig. 27

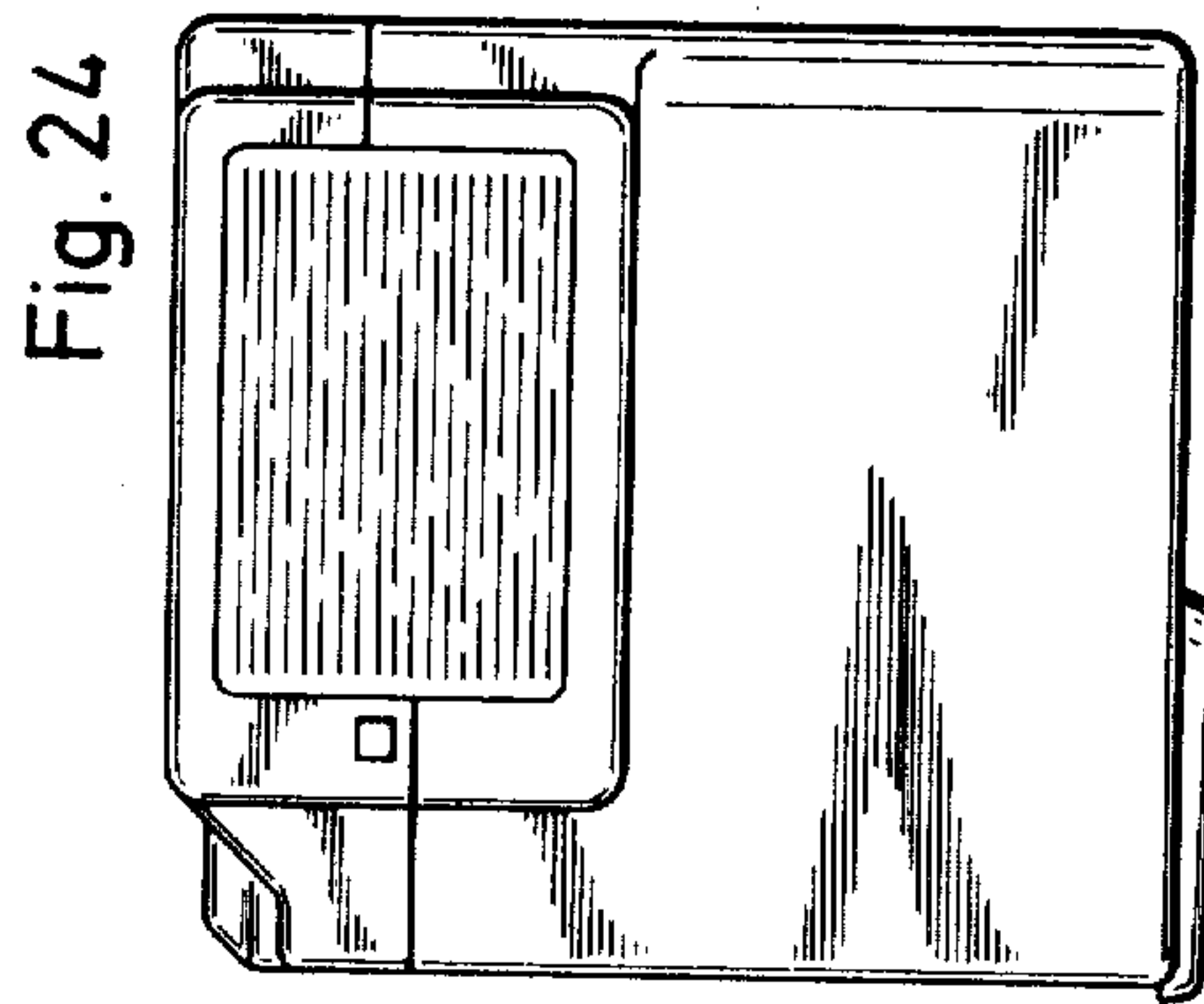


Fig. 24

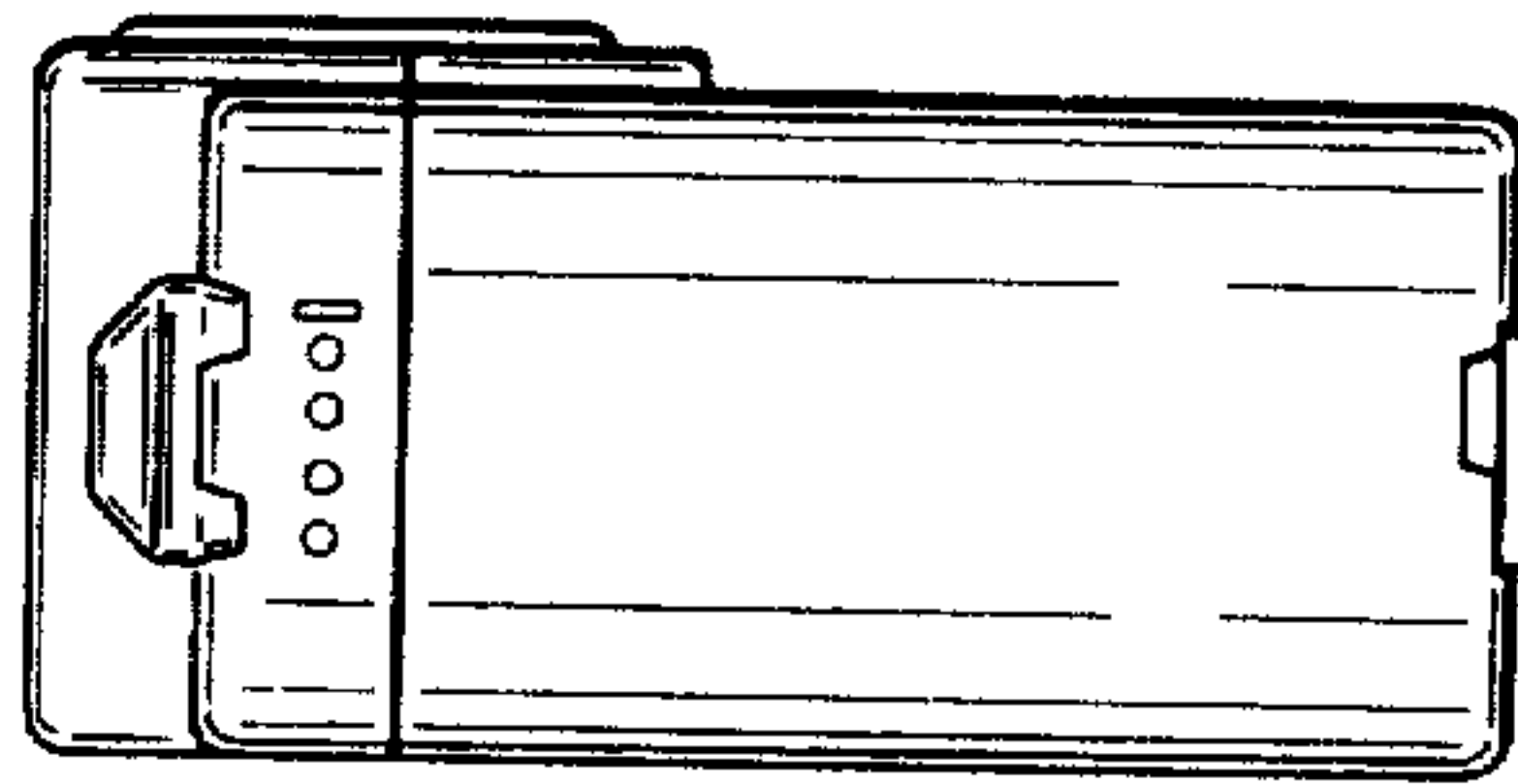


Fig. 26

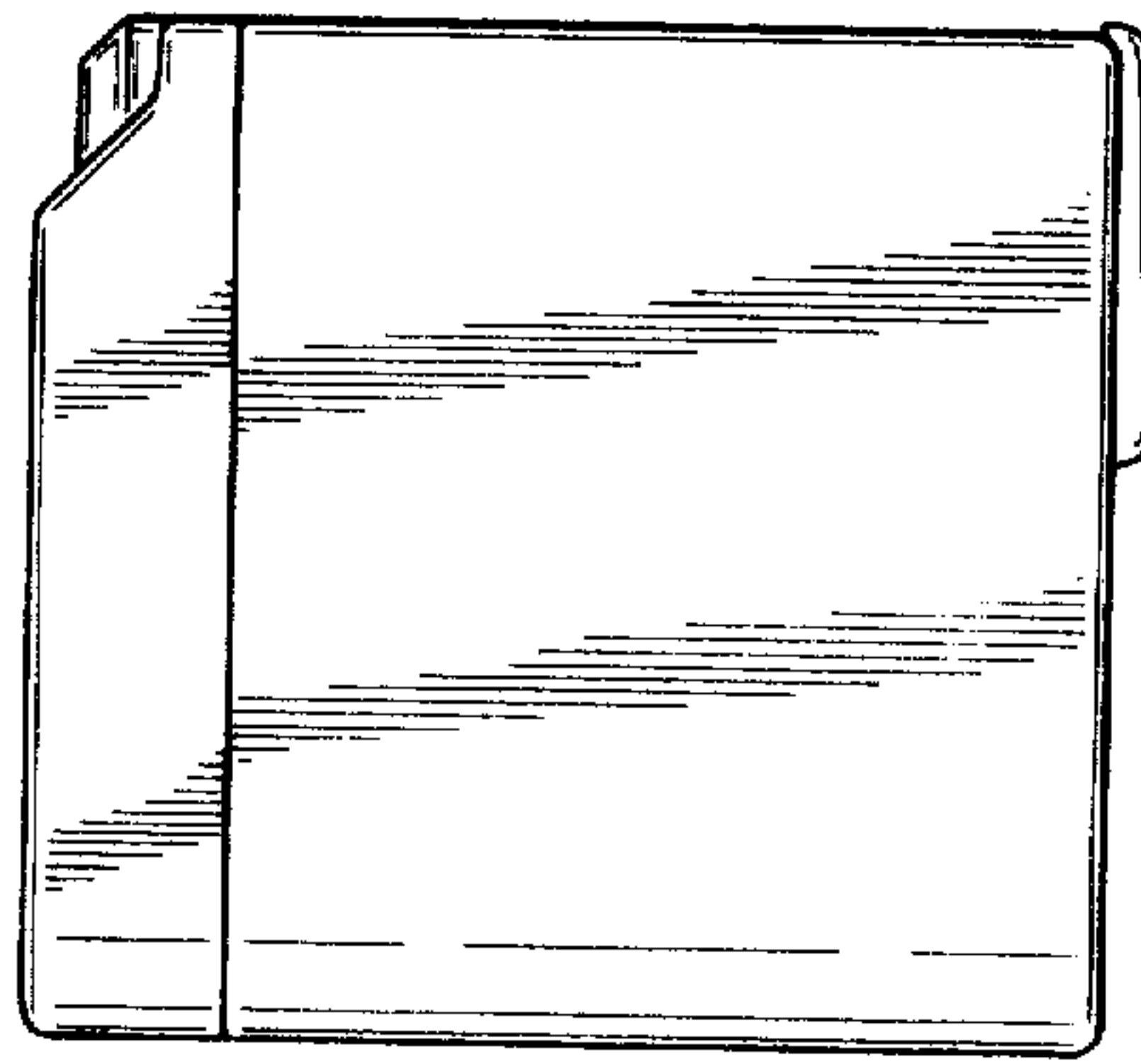


Fig. 28

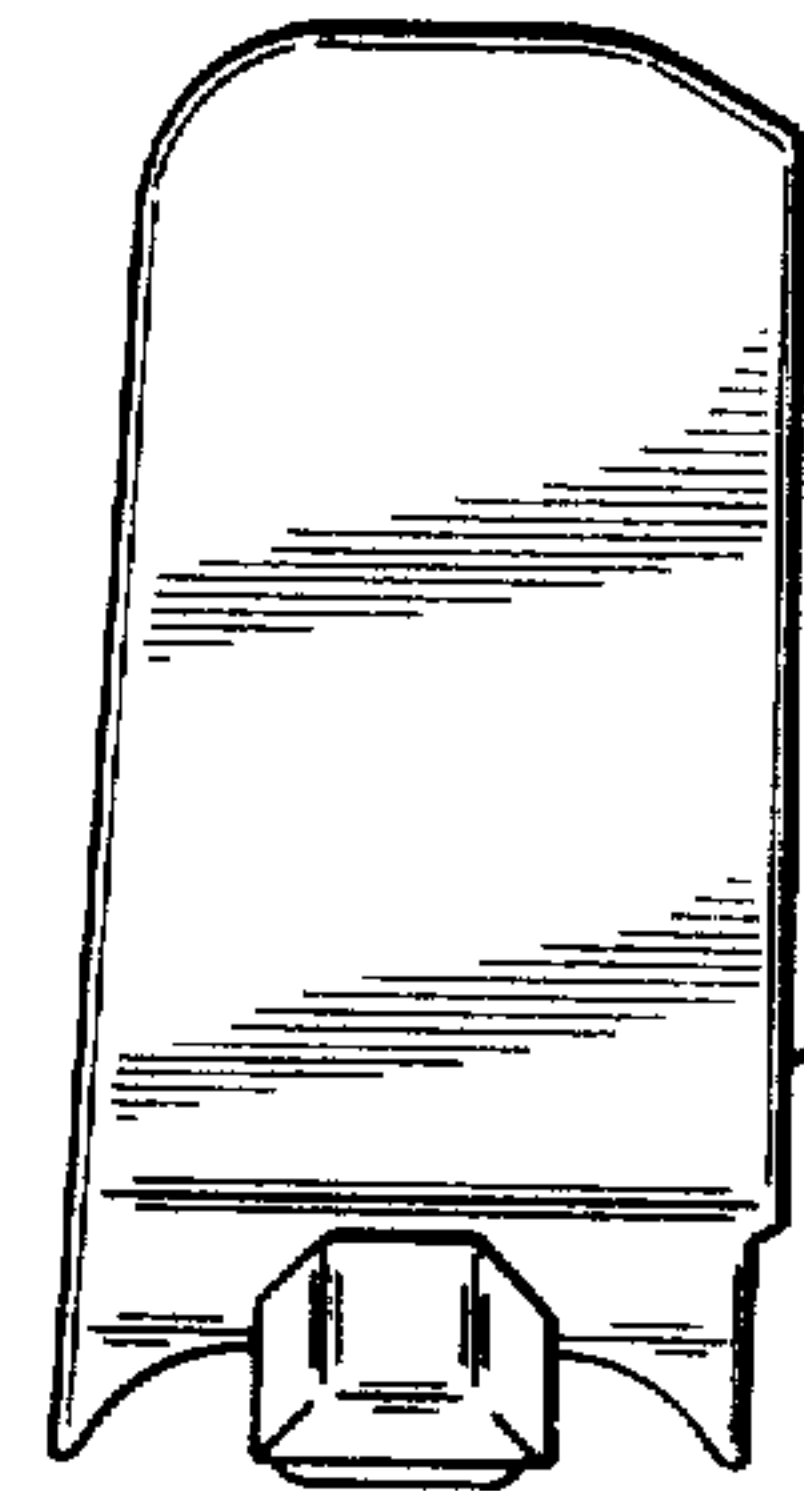


Fig. 25