

[54] BROILER OR THE LIKE

[76] Inventor: Roger M. Berg, 5845 SW. 190th, Aloha, Oreg. 97005

[\*\*] Term: 14 Years

[21] Appl. No.: 67,369

[22] Filed: Aug. 17, 1979

[51] Int. Cl. .... D15-08

[52] U.S. Cl. .... D15/104

[58] Field of Search ..... D15/92, 104, 108-110; 99/443 R, 443 C, 385-387

[56] References Cited

U.S. PATENT DOCUMENTS

2,109,079	2/1938	Zeigler et al. ....	D15/104 X
2,907,267	10/1959	Lindsey .....	99/339
3,031,948	5/1962	Lotter .....	99/390
3,421,432	1/1969	Giepen .....	99/332

OTHER PUBLICATIONS

Carcinogen Information Program, CIP Bulletin #1, Jul. 1978.

Carcinogen Information Program, CIP Bulletin #2, Aug. 1978.

Thermal Engineering Corp. Brochure, "Gas Infra-Red Heaters", p. 4.

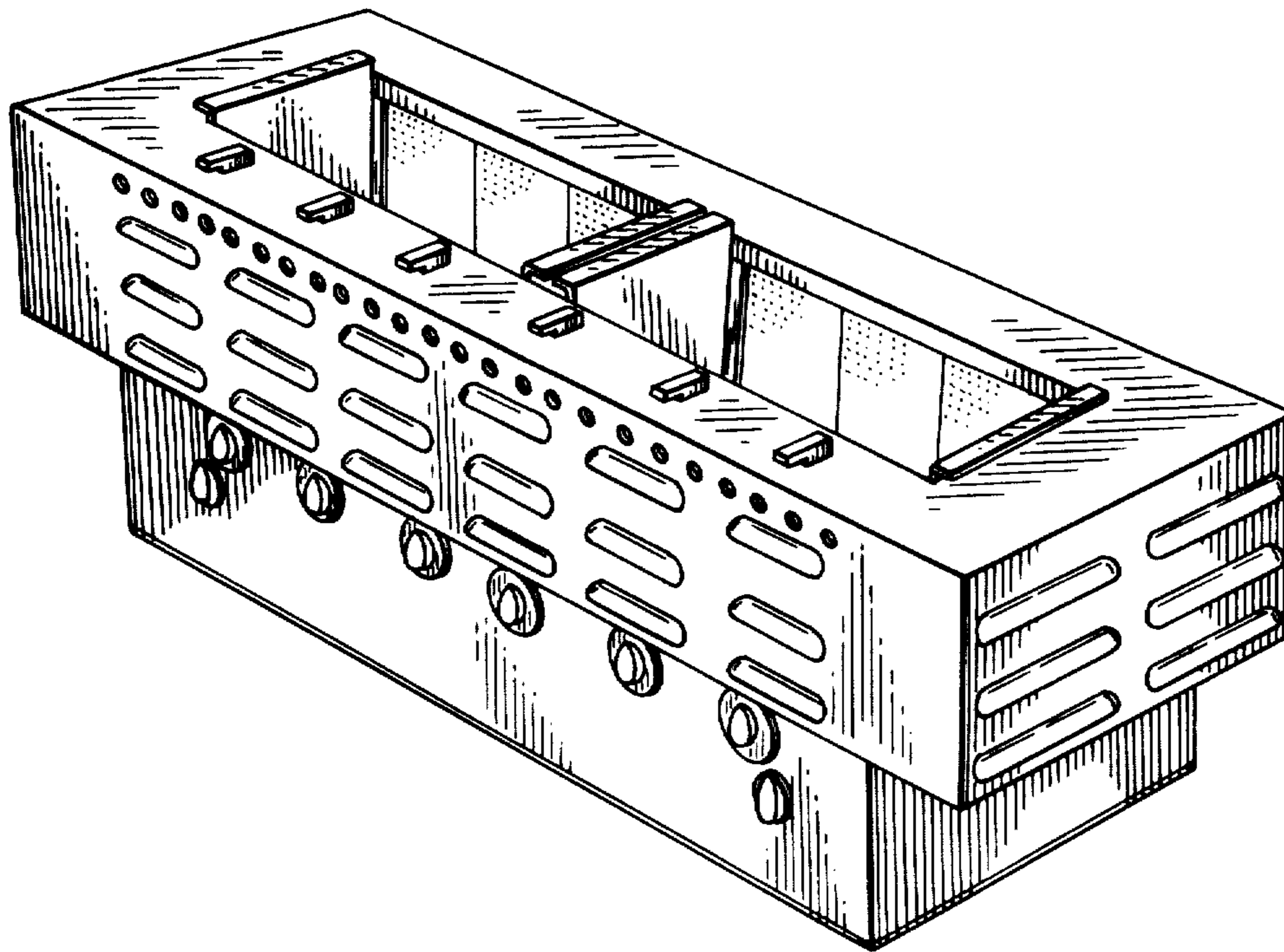
Primary Examiner—Catherine E. Kemper  
Attorney, Agent, or Firm—Klarquist, Sparkman, Campbell, Leigh, Winston & Dellett

[57] CLAIM

The ornamental design for a broiler or the like, as shown and described.

DESCRIPTION

FIG. 1 is a right front perspective view of a broiler, showing my new design;  
FIG. 2 is a right end elevation view thereof;  
FIG. 3 is a left end elevation view thereof;  
FIG. 4 is a front elevation view thereof;  
FIG. 5 is a top view thereof;  
FIG. 6 is a back elevation view thereof; and  
FIG. 7 is a bottom view thereof.



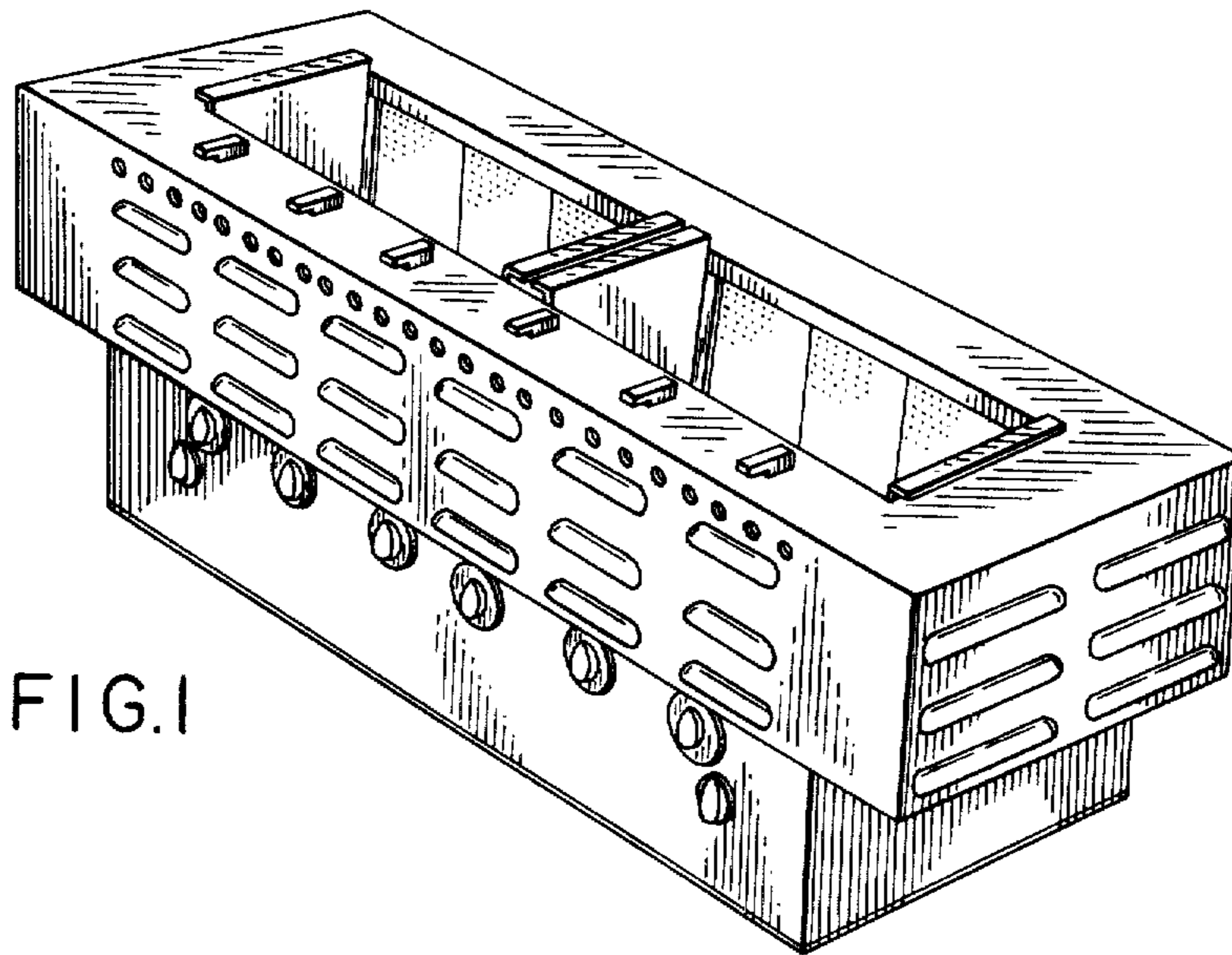


FIG. 1

FIG. 2

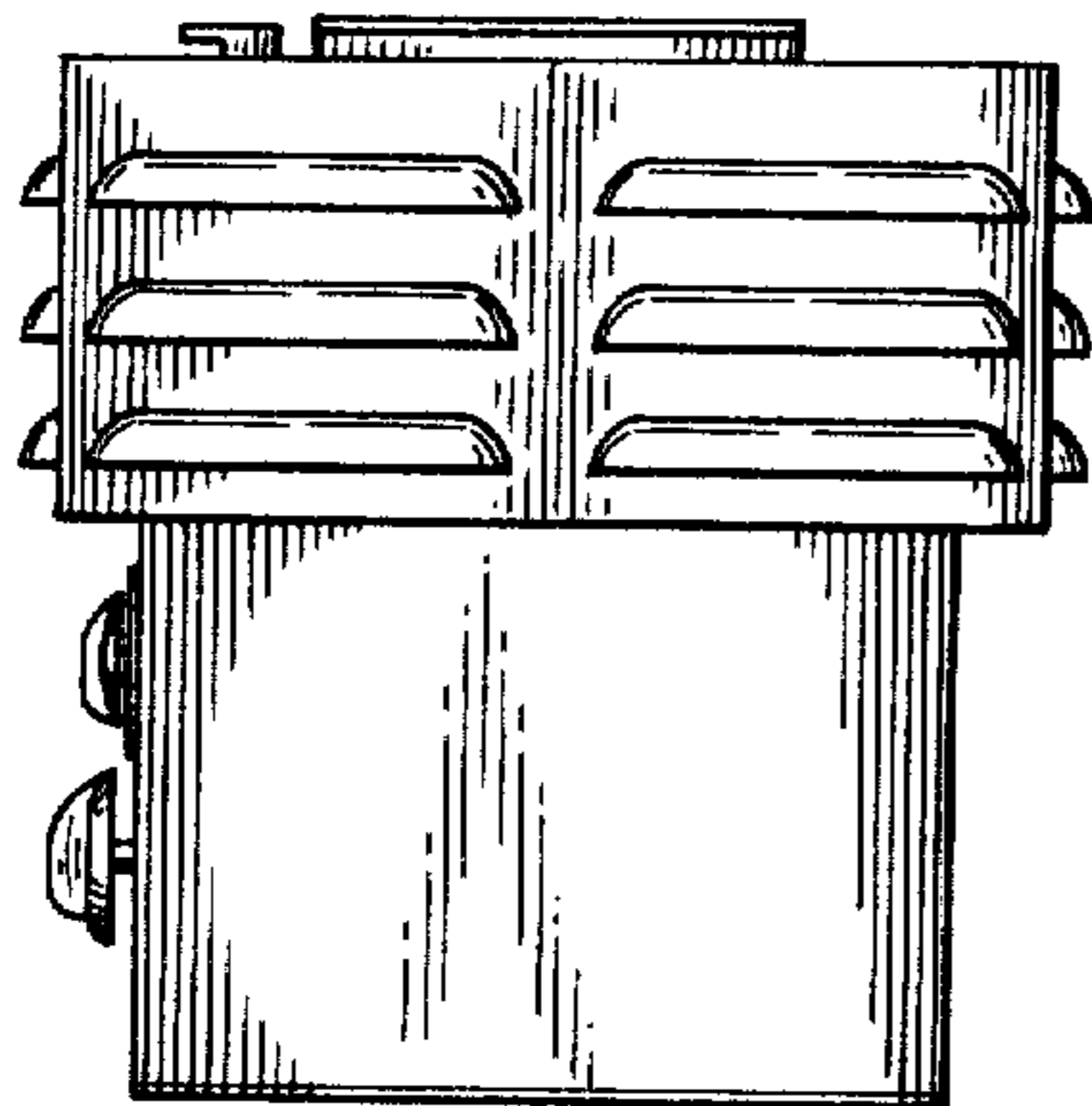


FIG. 3

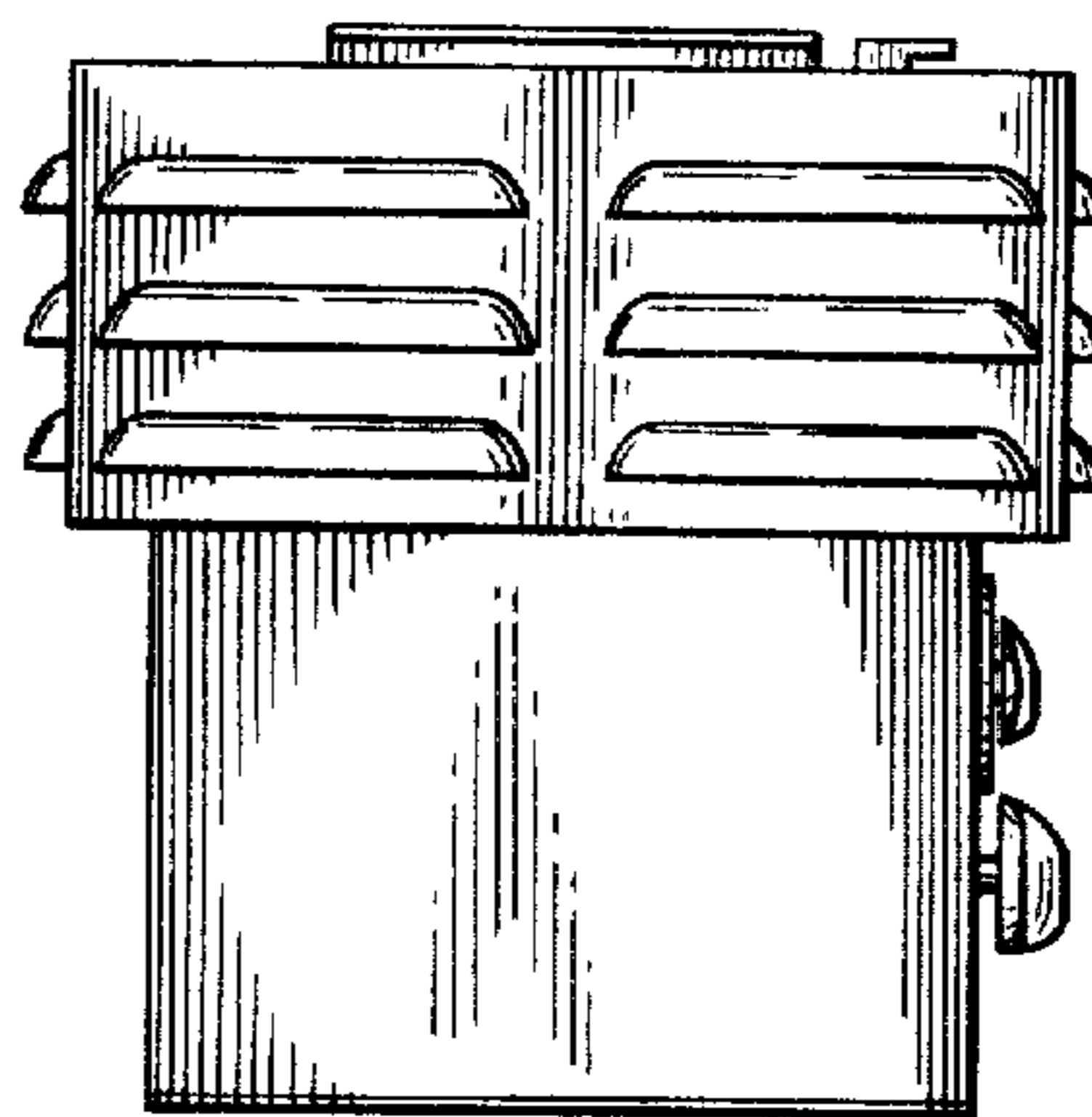


FIG. 4

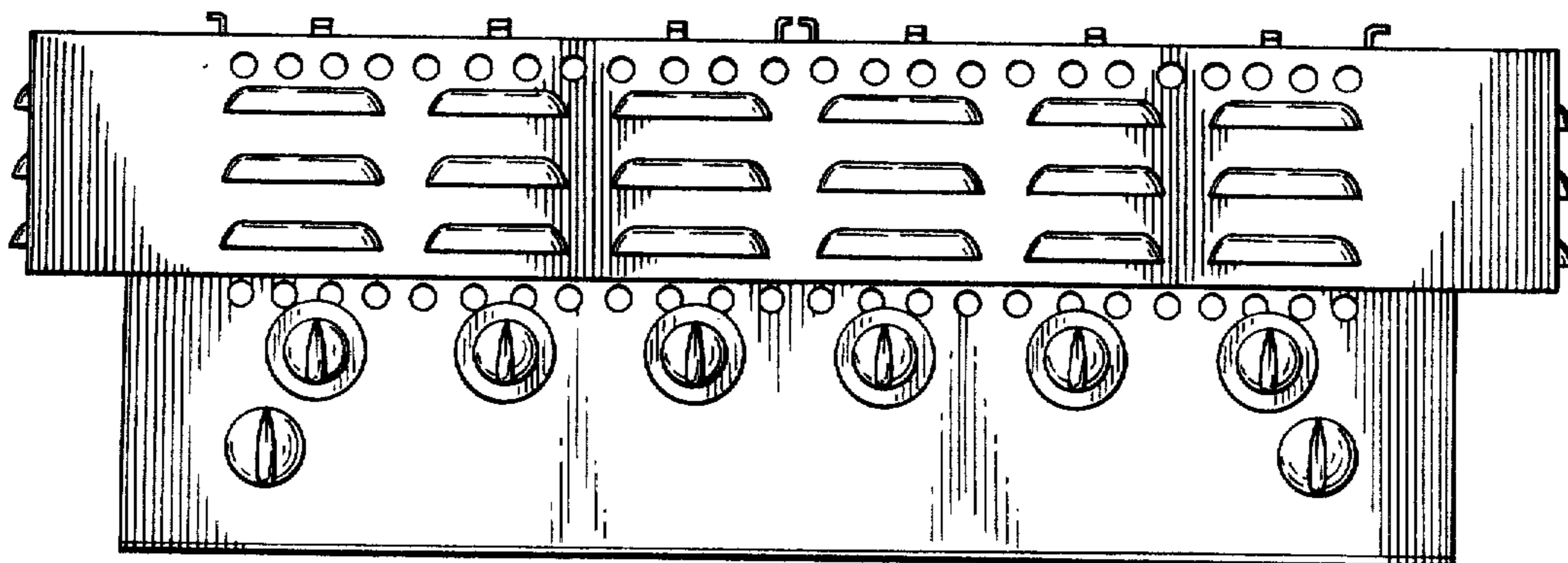


FIG. 5

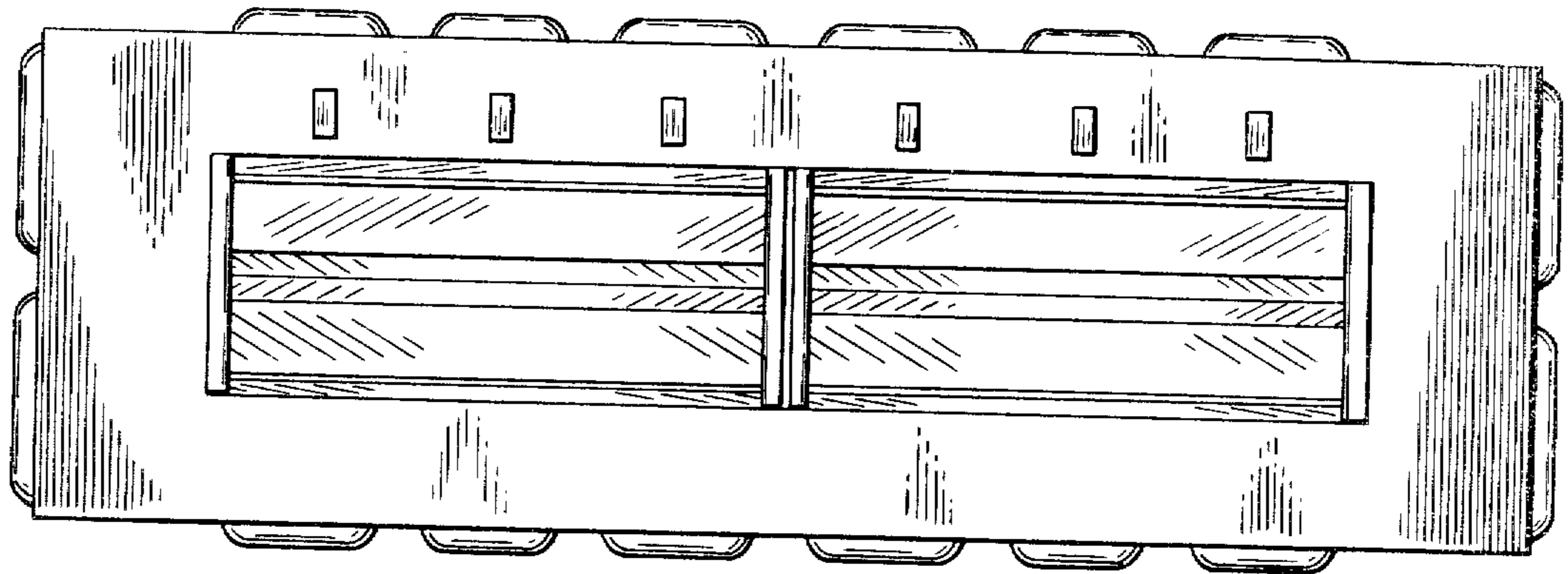


FIG. 6

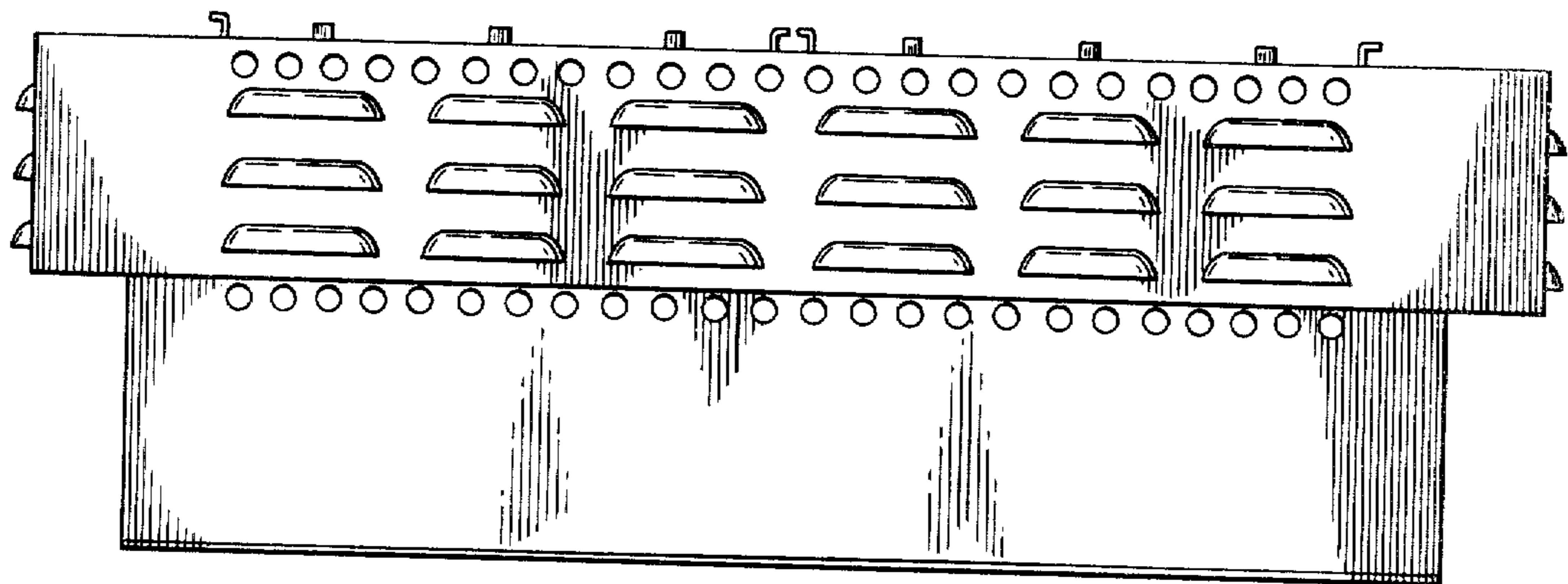


FIG. 7

