

[54] HEADGEAR TO BE USED IN RELAXATION THERAPY

[75] Inventor: Michael Stratman, Bockhorn, Fed. Rep. of Germany

[73] Assignee: Hanscarl Leuner, Göttingen, Fed. Rep. of Germany

[**] Term: 14 Years

[21] Appl. No.: 31,911

[22] Filed: Apr. 20, 1979

[30] Foreign Application Priority Data

Oct. 23, 1978 [DE] Fed. Rep. of Germany 6MR 313

[51] Int. Cl. D14-03

[52] U.S. Cl. D14/36; D14/69

[58] Field of Search D14/36, 69; 181/156, 181/141; 179/146 H, 156 R; 128/66; D24/99

[56] References Cited

U.S. PATENT DOCUMENTS

D. 235,149	5/1975	Dascal	D14/36
3,237,713	3/1966	Leslie	181/146
3,585,991	6/1971	Balamuth	179/146 H
3,900,707	8/1975	Hanson	179/156 R

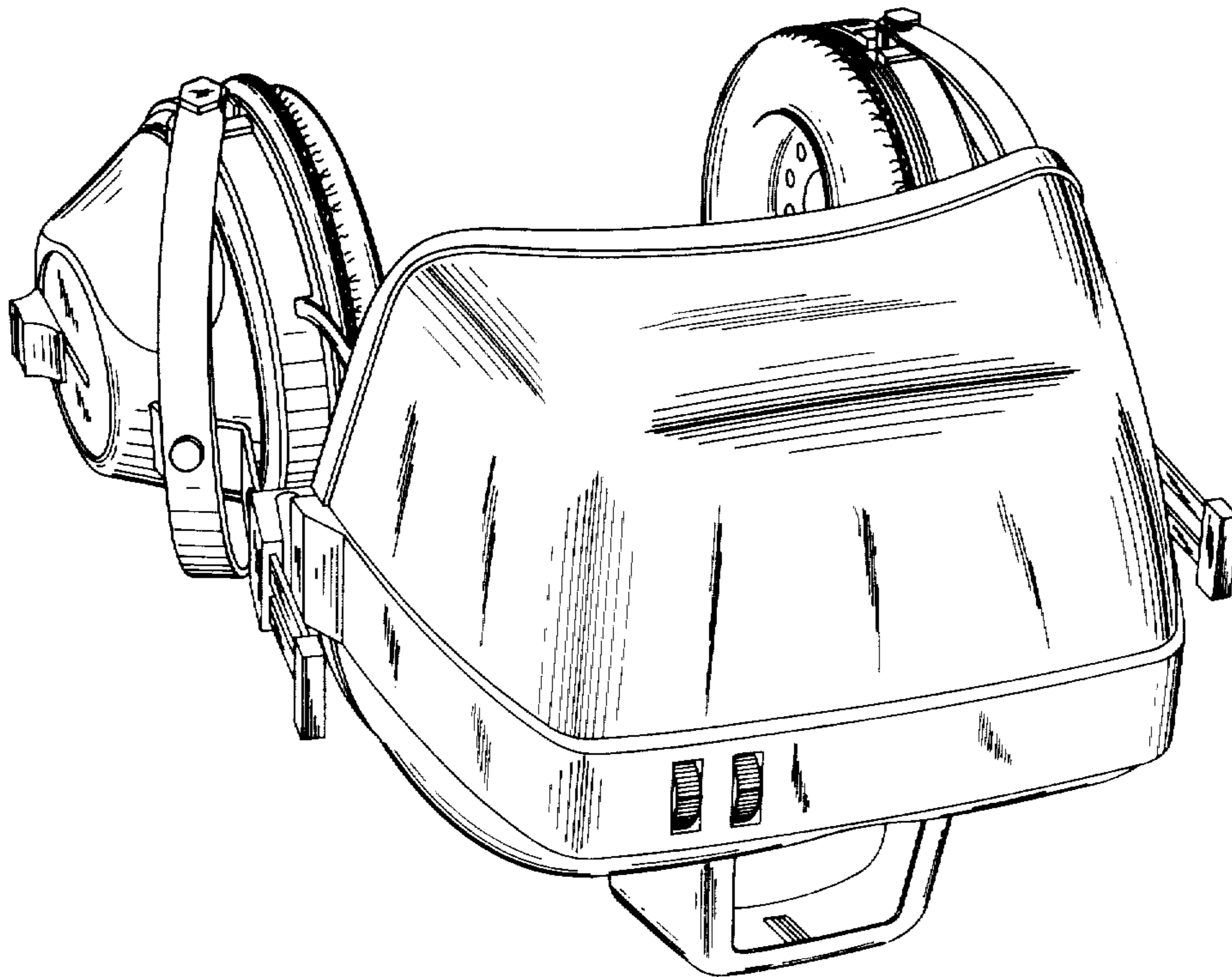
Primary Examiner—Bernard Ansher
Attorney, Agent, or Firm—Montague & Ross

[57] CLAIM

The ornamental design for a headgear to be used in relaxation therapy, as shown and described.

DESCRIPTION

FIG. 1 is a perspective view, seen from upper left front, of a headgear showing my new design; and FIG. 2 is a perspective rear view thereof. The side opposite the one shown in FIG. 1 is of substantially identical appearance.



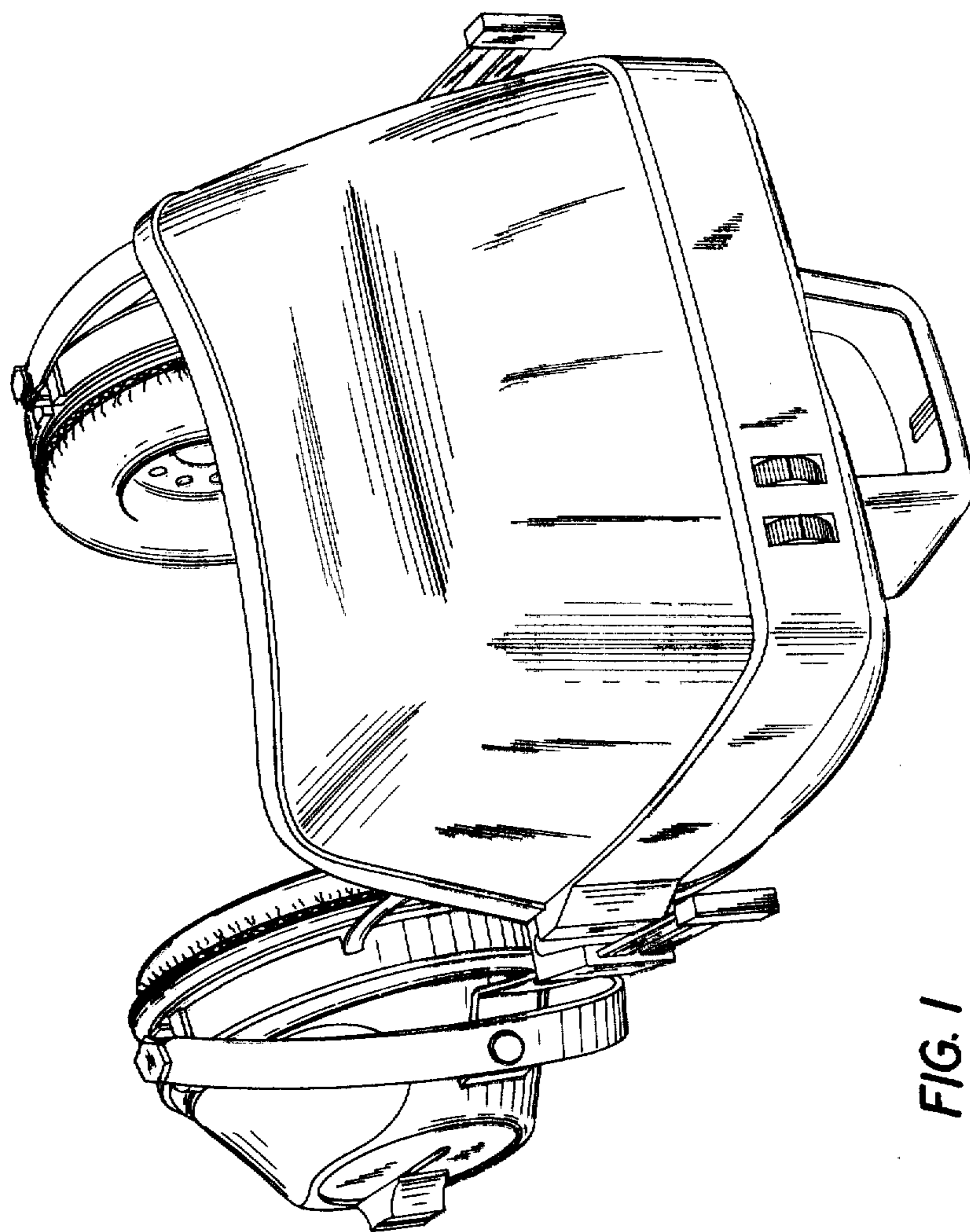


FIG. 1

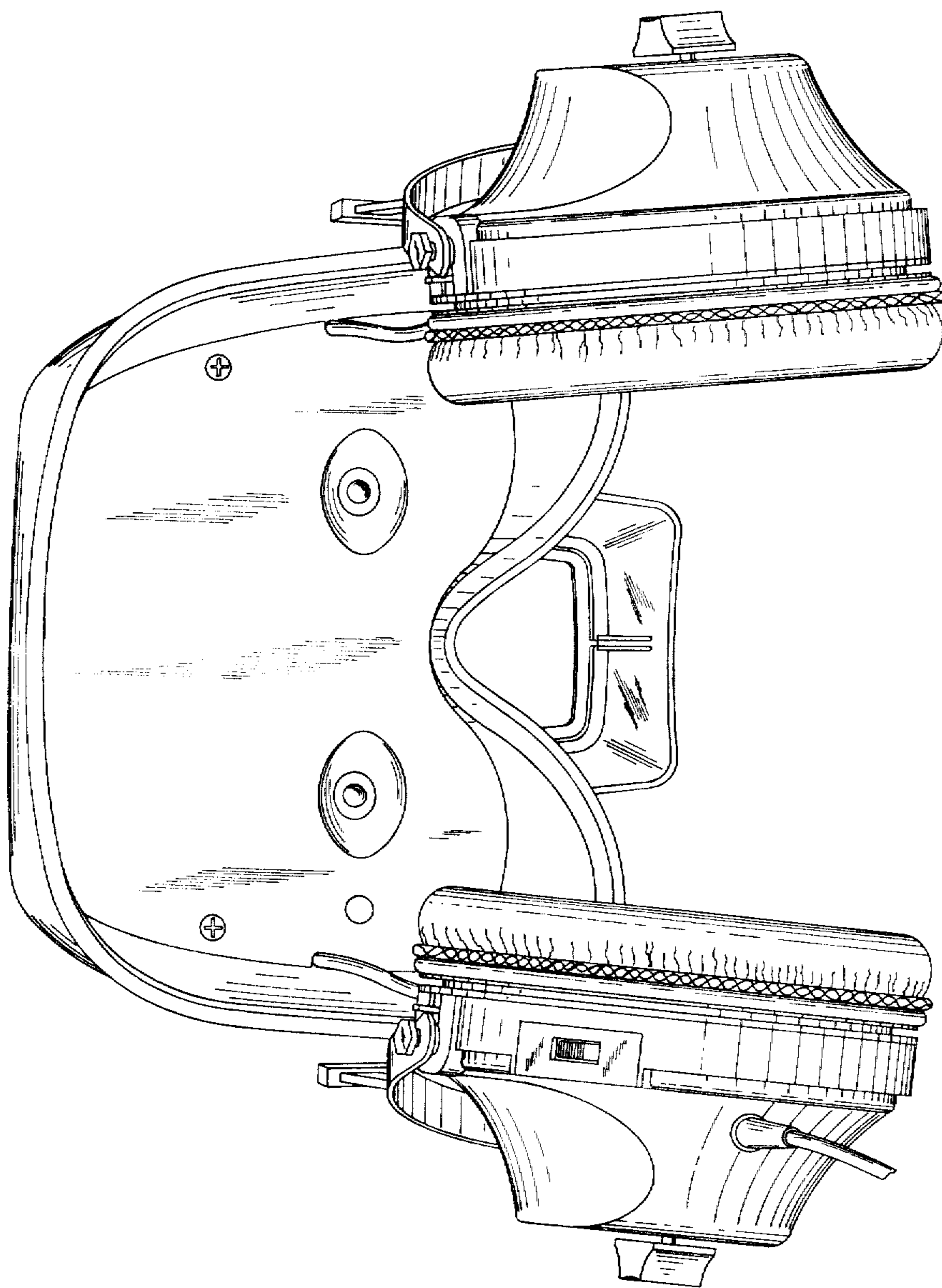


FIG. 2