

- [54] **COMBINED RADIO RECEIVER AND CASSETTE TAPE RECORDER**
- [75] Inventors: **Kunio Hoshino, Katano; Katsutoshi Kido, Kyoto, both of Japan**
- [73] Assignee: **Matsushita Electric Industrial Co., Ltd., Kadoma, Japan**
- [**] Term: **14 Years**
- [21] Appl. No.: **97,941**
- [22] Filed: **Nov. 27, 1979**

- [30] **Foreign Application Priority Data**
- May 31, 1979 [JP] Japan 54-22463
- [51] Int. Cl. **D14-01; D14-03**
- [52] U.S. Cl. **D14/5; D14/6; D14/70; D14/72**
- [58] Field of Search **D14/1, 5-7, D14/68, 70-76, 2, 79, 99**

- [56] **References Cited**
- U.S. PATENT DOCUMENTS**
- D. 244,102 4/1977 Takenaka et al. D14/5

OTHER PUBLICATIONS

Retailing Home Furnishings, 11-1-76, p. 75, Hitachi Ad, left-most item.
Retailing Home Furnishings, 4-11-77, Sanyo Item #M2422.
Merchandising, 8-77, p. 43, right-most row of items, item behind & to right of right-most package of 2 cylindrical batteries.
 Primary Examiner—Jane E. Corrigan
 Attorney, Agent, or Firm—Stevens, Davis, Miller & Mosher

[57] **CLAIM**
 The ornamental design for a combined radio receiver and cassette tape recorder, as shown.

DESCRIPTION

FIG. 1 is a front and right side perspective view of a combined radio receiver and cassette tape recorder showing our new design,
 FIG. 2 is a rear, bottom and left side perspective view thereof, and
 FIG. 3 is a top plan view thereof.

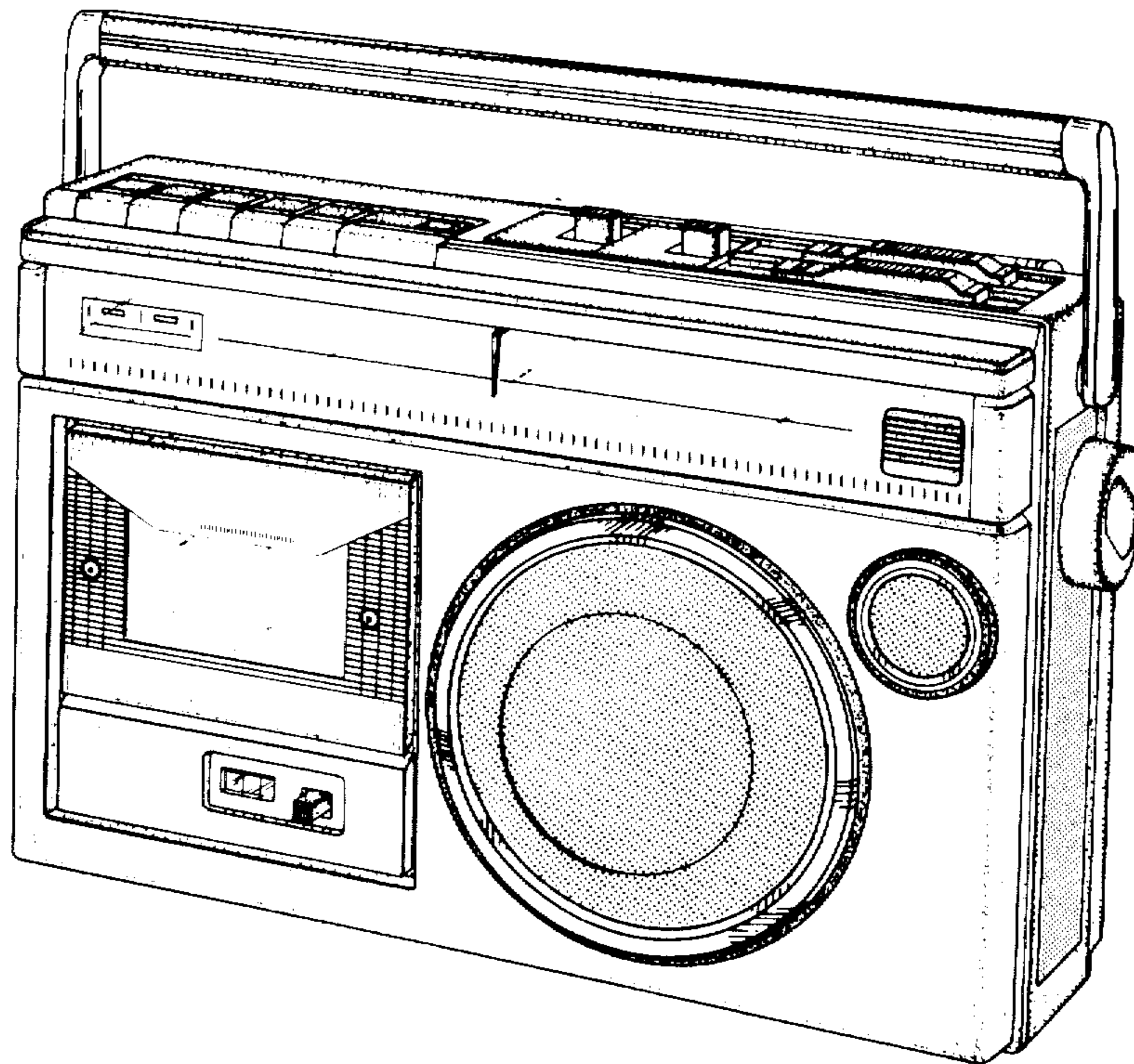


FIG. 1

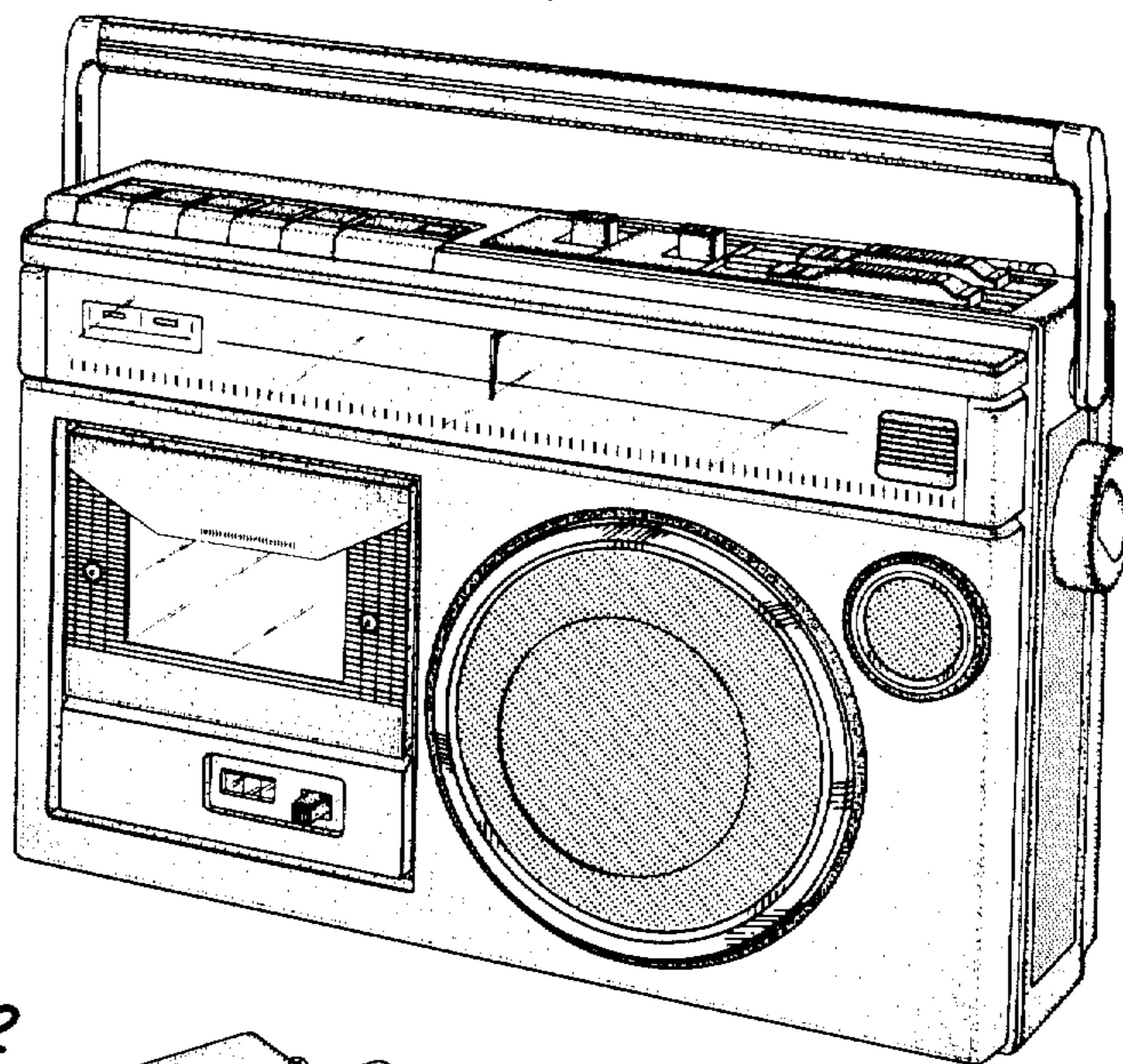


FIG. 2

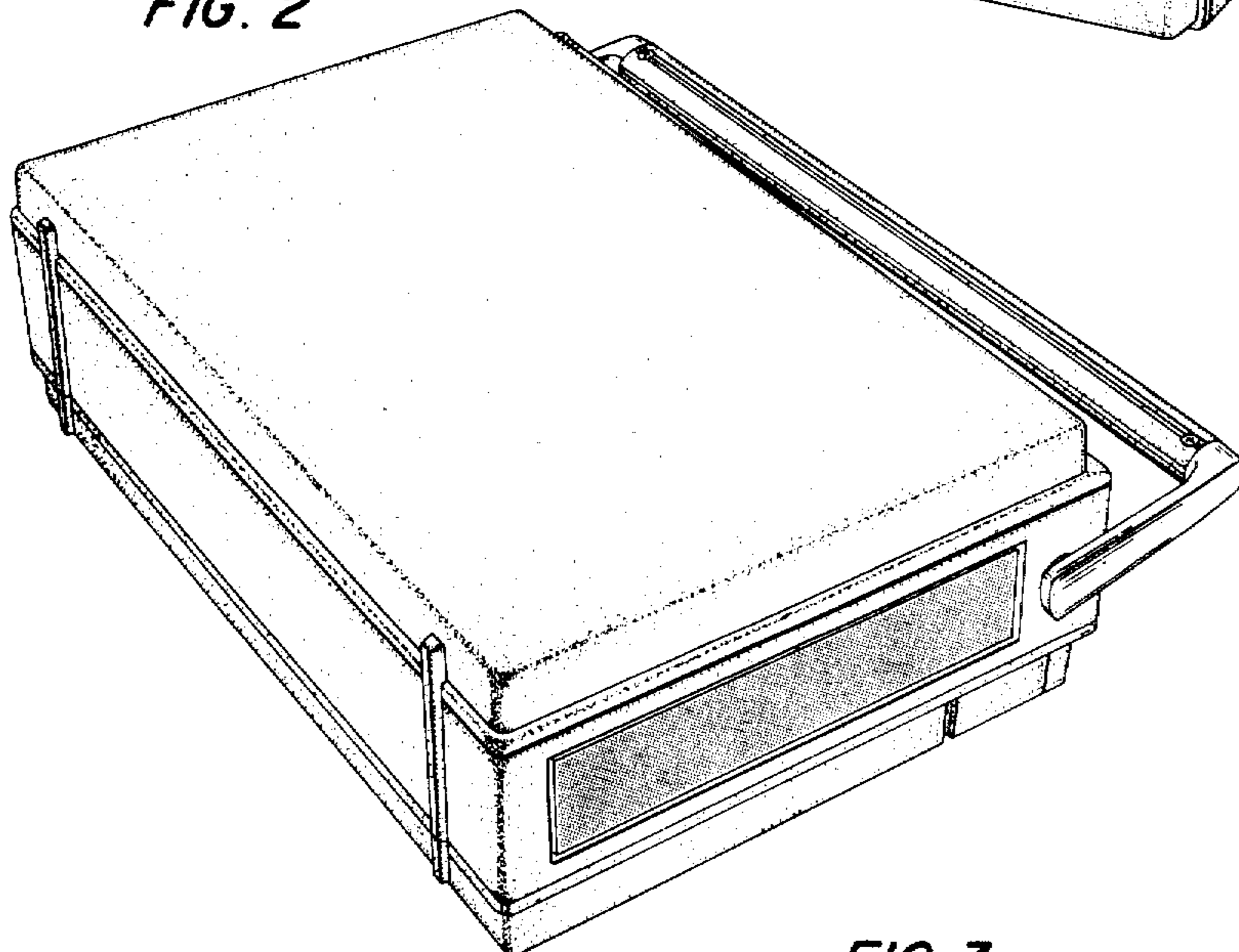


FIG. 3

