

[54] CONTAINER ADAPTOR RING OR THE LIKE

[56]

References Cited

U.S. PATENT DOCUMENTS

[75] Inventors: Robert H. C. M. Daenen, Hekelgem; Pieter K. J. De Coster, Aalst, both of Belgium

1,503,694	8/1924	McPherson	215/100 R
1,984,170	12/1934	Archbold, Jr.	220/90
2,837,256	6/1958	Daner	220/90
2,940,447	6/1960	Zanegood	215/100 R
3,543,287	11/1970	Henkel	220/90
3,894,650	7/1975	Crump	220/90

[73] Assignee: Dart Industries Inc., Los Angeles, Calif.

Primary Examiner—Joel Stearman  
Assistant Examiner—Carmen H. Vales  
Attorney, Agent, or Firm—Leigh B. Taylor

[\*\*] Term: 14 Years

[57] CLAIM

[21] Appl. No.: 66,897

The ornamental design for a container adaptor ring or the like, substantially as is shown and described.

[22] Filed: Aug. 16, 1979

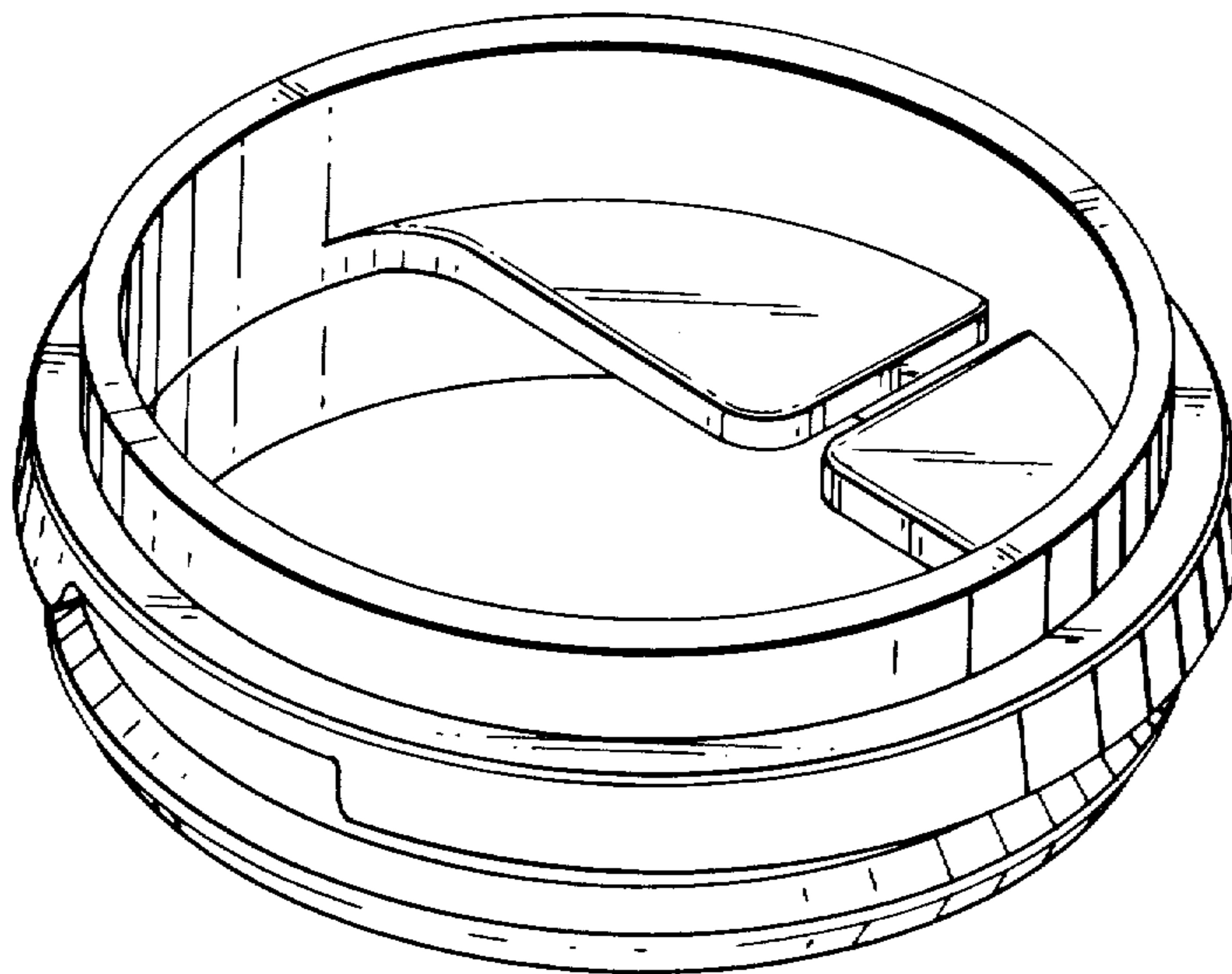
DESCRIPTION

[51] Int. Cl. D09-99

FIG. 1 is a perspective view of a container adapter ring or the like showing our new design;  
FIG. 2 is a top plan view thereof;  
FIG. 3 is a bottom plan view thereof;  
FIG. 4 is a side elevational view thereof;  
FIG. 5 is an enlarged cross-sectional view thereof taken along line 5-5 of FIG. 2.

[52] U.S. Cl. D9/434

[58] Field of Search D9/253, 254, 434, 447; 401/121; 220/90, 90.4; 215/1 R, 100 R, 228, DIG. 5; 222/570



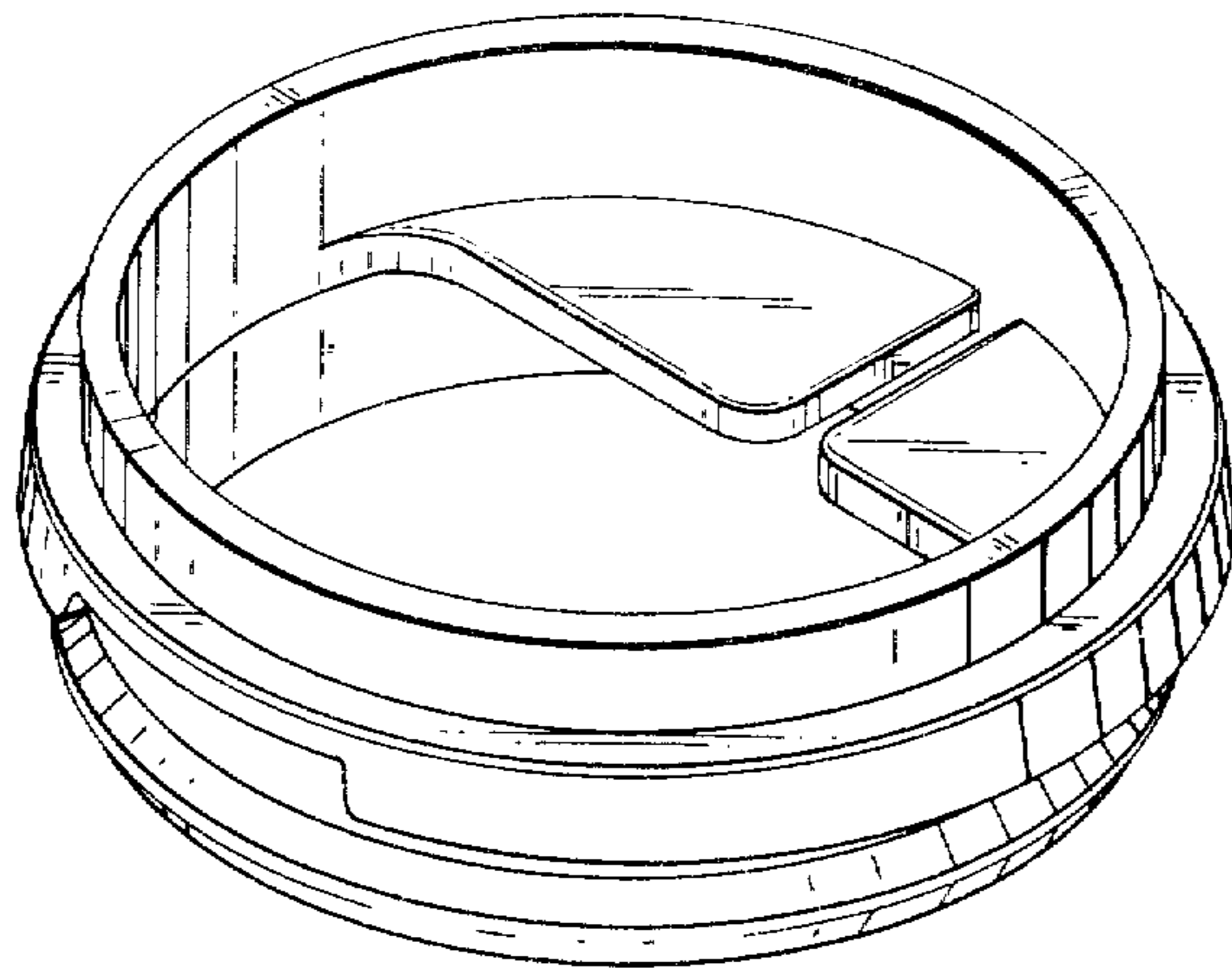


FIG. 1

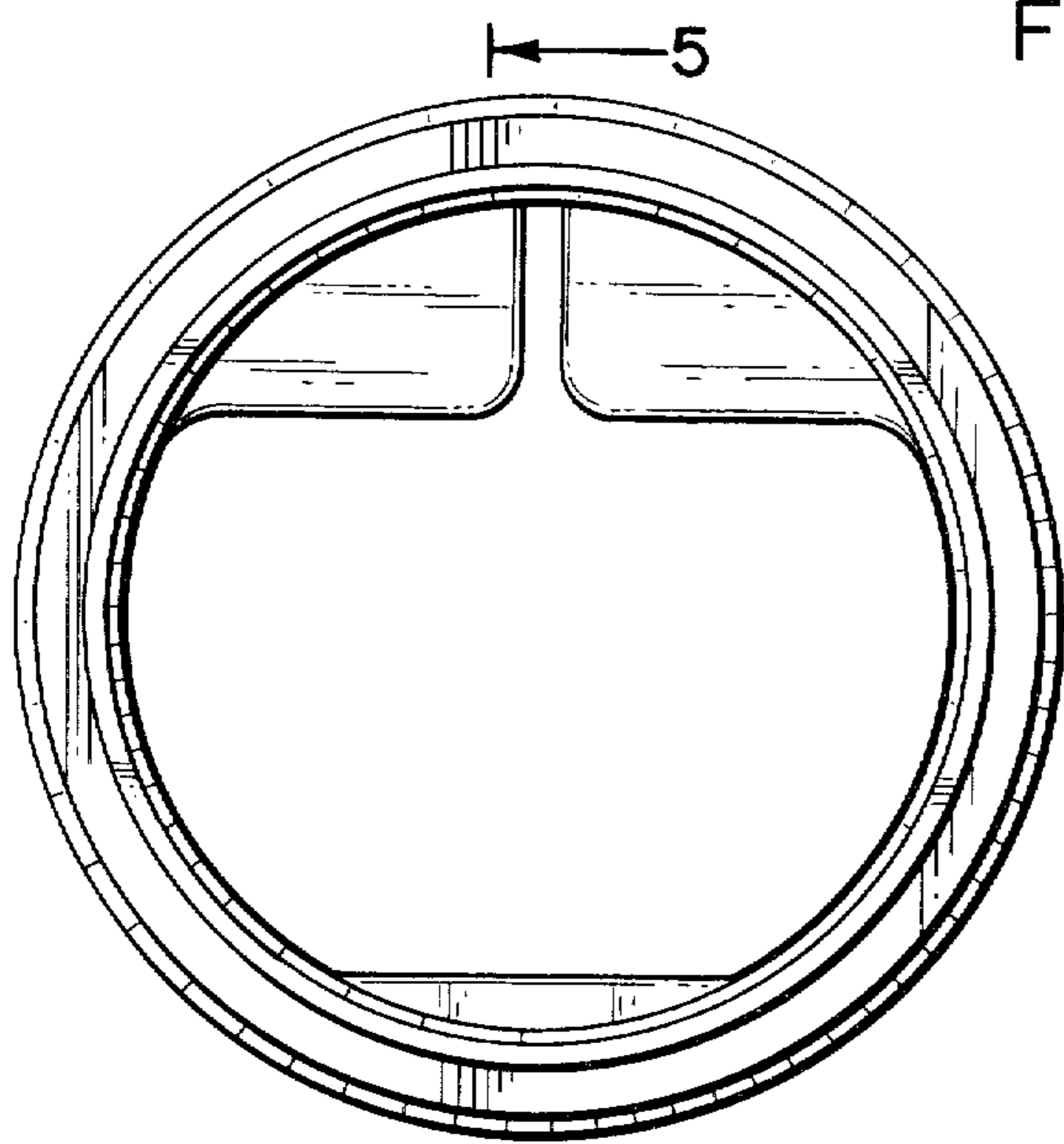


FIG. 2

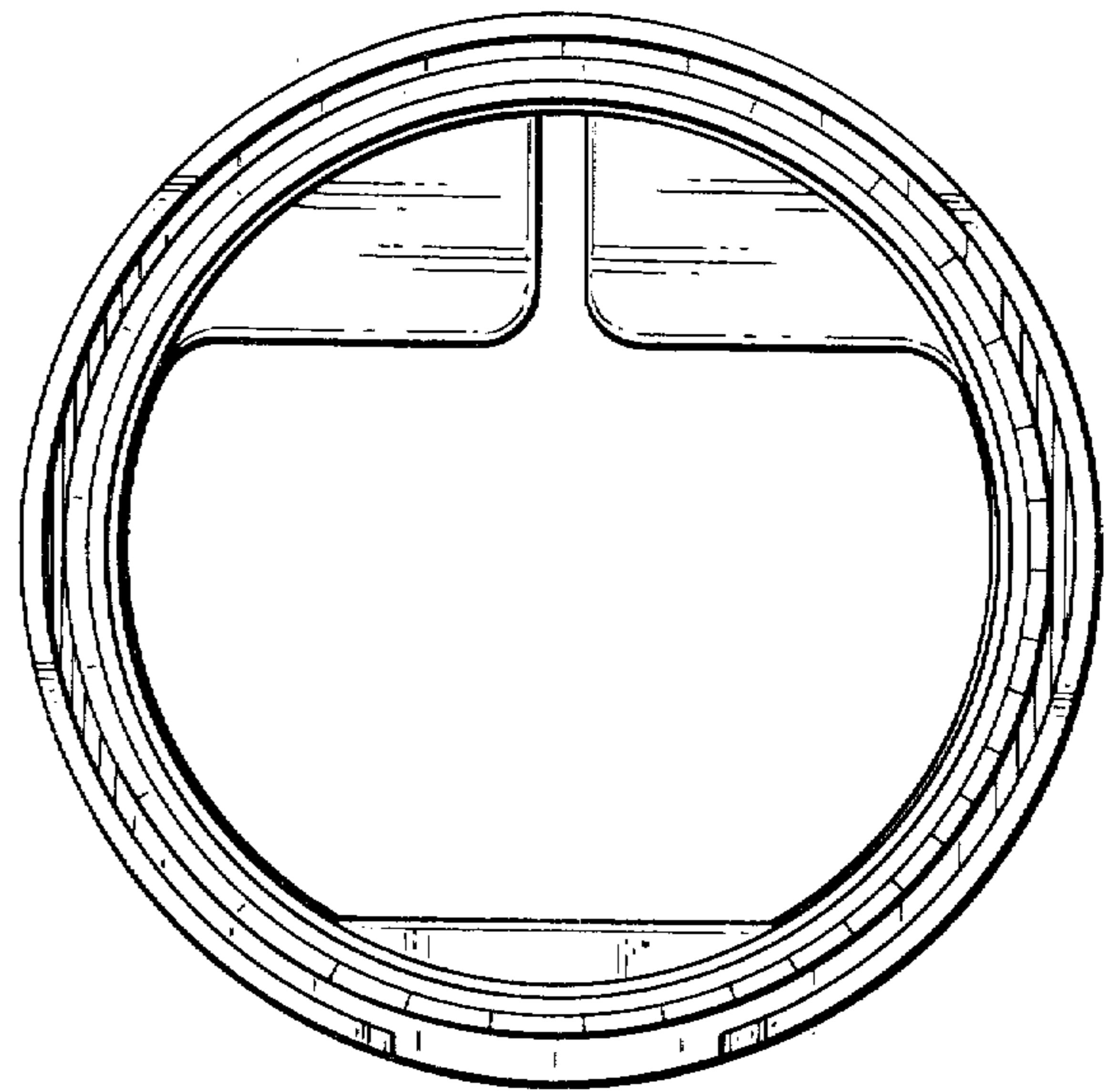


FIG. 3

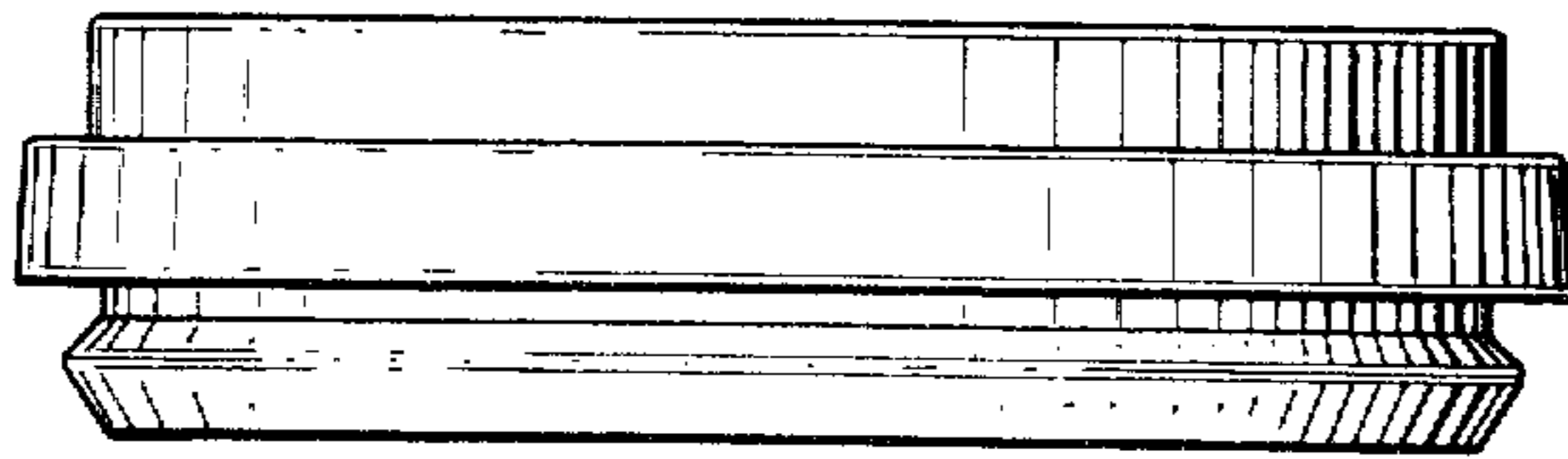


FIG. 4

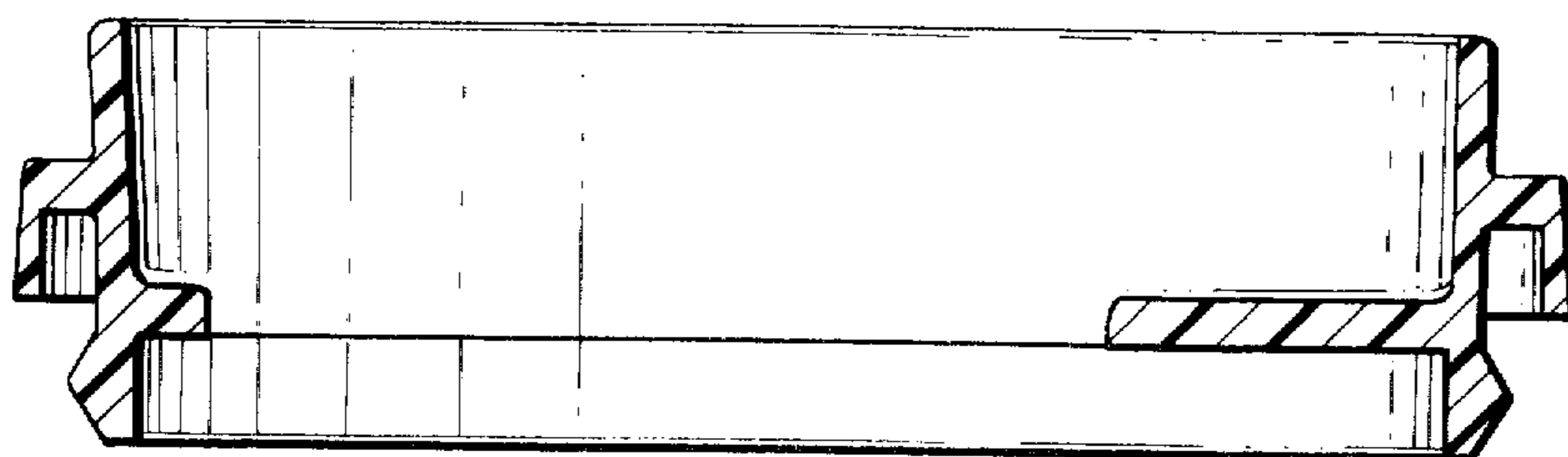


FIG. 5