

[54] **ROOF INSULATION WASHER**

[75] Inventor: **George G. Dewey**, Prospect Heights, Ill.

[73] Assignee: **Illinois Tool Works Inc.**, Chicago, Ill.

[**] Term: **14 Years**

[21] Appl. No.: **92,159**

[22] Filed: **Nov. 7, 1979**

[51] Int. Cl. **D8-08**

[52] U.S. Cl. **D8/399; D8/354**

[58] Field of Search **D8/394-399, D8/354; 405/259; 52/698; 411/371, 427, 428, 436, 437, 531, 533, 537, 538, 542, 545-547; D7/45**

[56] **References Cited**

U.S. PATENT DOCUMENTS

D. 236,428	8/1975	Stewart	D8/382
D. 236,790	9/1975	Bruno et al.	D7/45
3,090,203	5/1963	Durget	411/531
4,112,693	9/1978	Collin	405/259

FOREIGN PATENT DOCUMENTS

7415863	6/1976	Netherlands	411/531
---------	--------	-------------------	---------

Primary Examiner—B. J. Bullock
Attorney, Agent, or Firm—Thomas W. Buckman

[57] **CLAIM**

The ornamental design for a roof insulation washer, as shown.

DESCRIPTION

FIG. 1 is an isometric view of a roof insulation washer showing my new design;
FIG. 2 is a top plan view thereof;
FIG. 3 is a sectional view taken in the direction of the arrows on line 3-3 of FIG. 2.

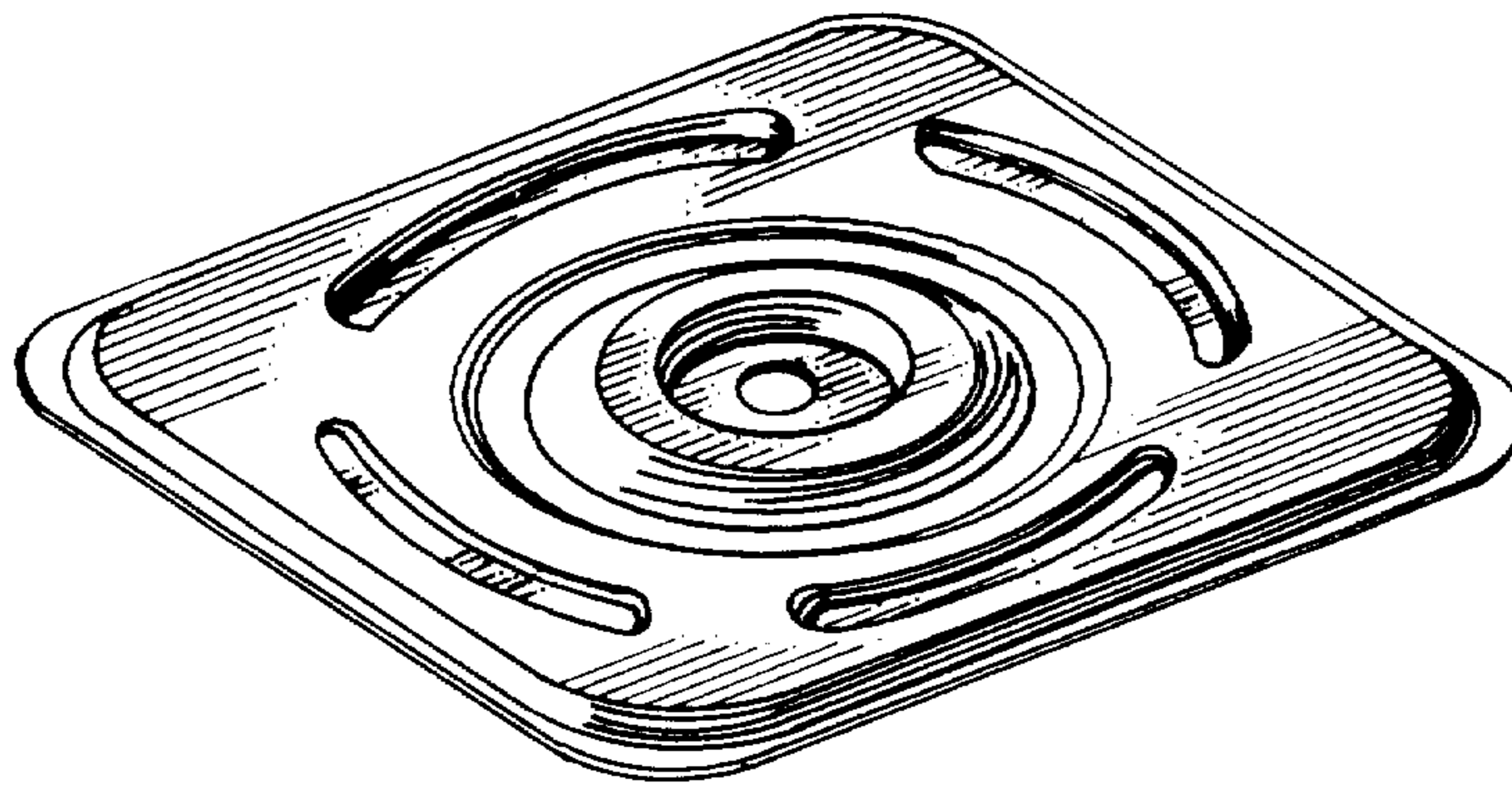


FIG. 1

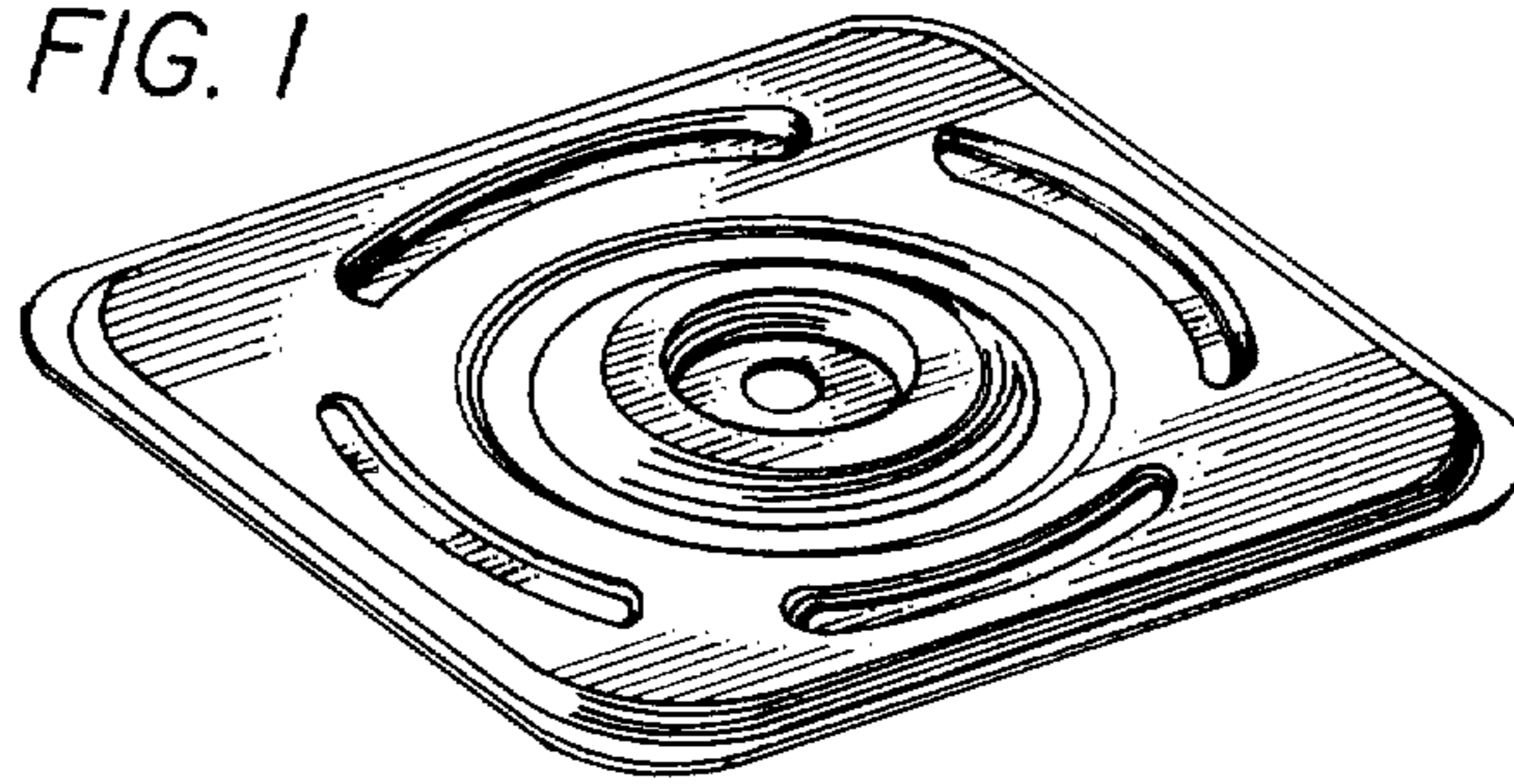


FIG. 2

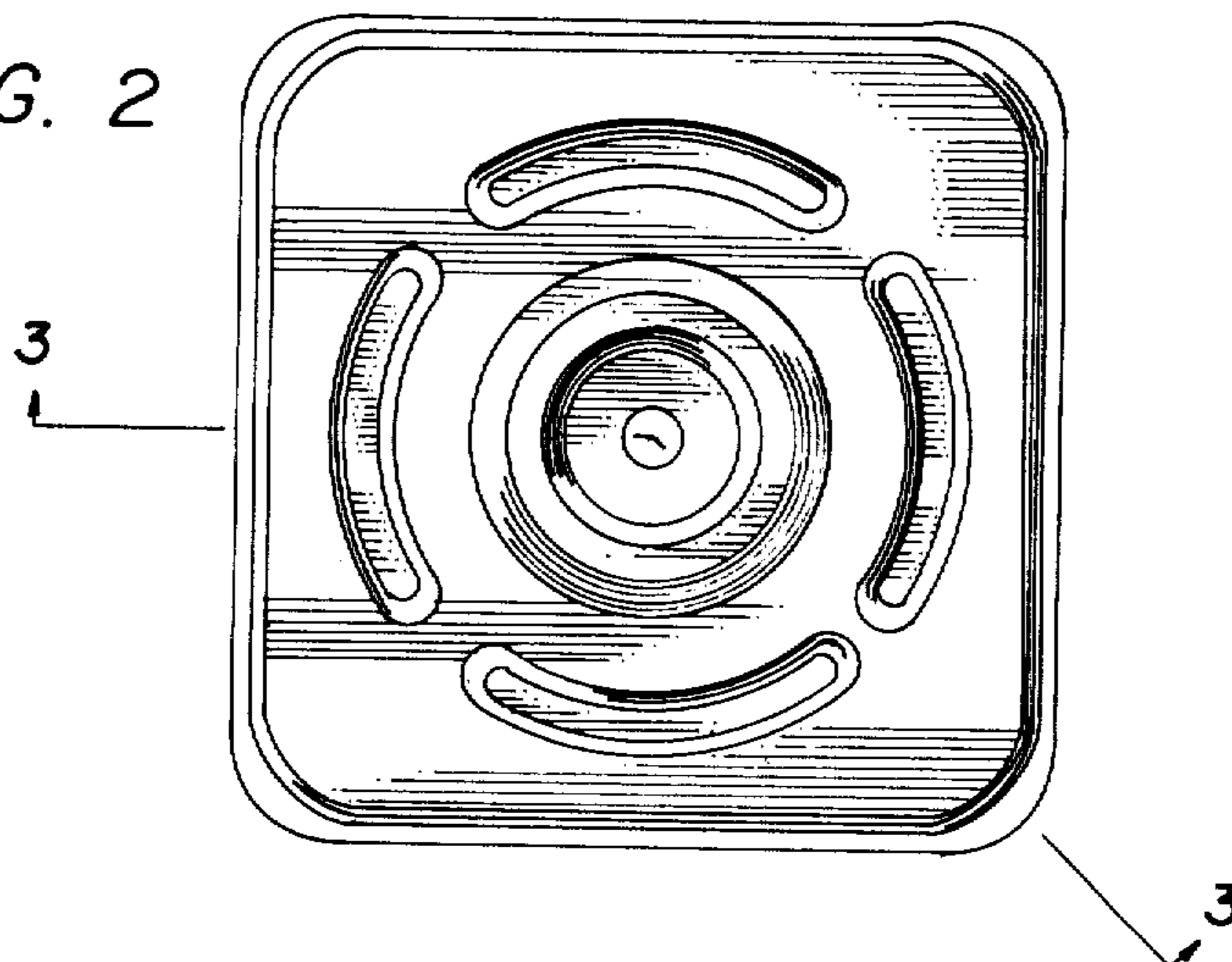


FIG. 3

