

[54] HINGE

[76] Inventor: **William P. White**, c/o Mechanical Applications, Inc., Wiscasset, Me. 04578

[**] Term: **14 Years**

[21] Appl. No.: **120,555**

[22] Filed: **Feb. 11, 1980**

[51] Int. Cl. **D8-06**

[52] U.S. Cl. **D8/327; D8/323**

[58] Field of Search D8/323, 327, 329, 330; 16/128 R, 143, 191

D. 236,797 9/1975 Sanderford et al. D8/329

1,045,851 12/1912 Johnson 16/191

2,990,572 7/1961 Schwartzberg 16/191

3,178,762 4/1965 Whiting 16/191

Primary Examiner—B. J. Bullock
Attorney, Agent, or Firm—C. Yardley Chittick

[57] **CLAIM**

The ornamental design for a hinge, as shown.

DESCRIPTION

FIG. 1 is a front elevational view of a hinge showing my new design;

FIG. 2 is a top plan view thereof;

FIG. 3 is a bottom plan view thereof;

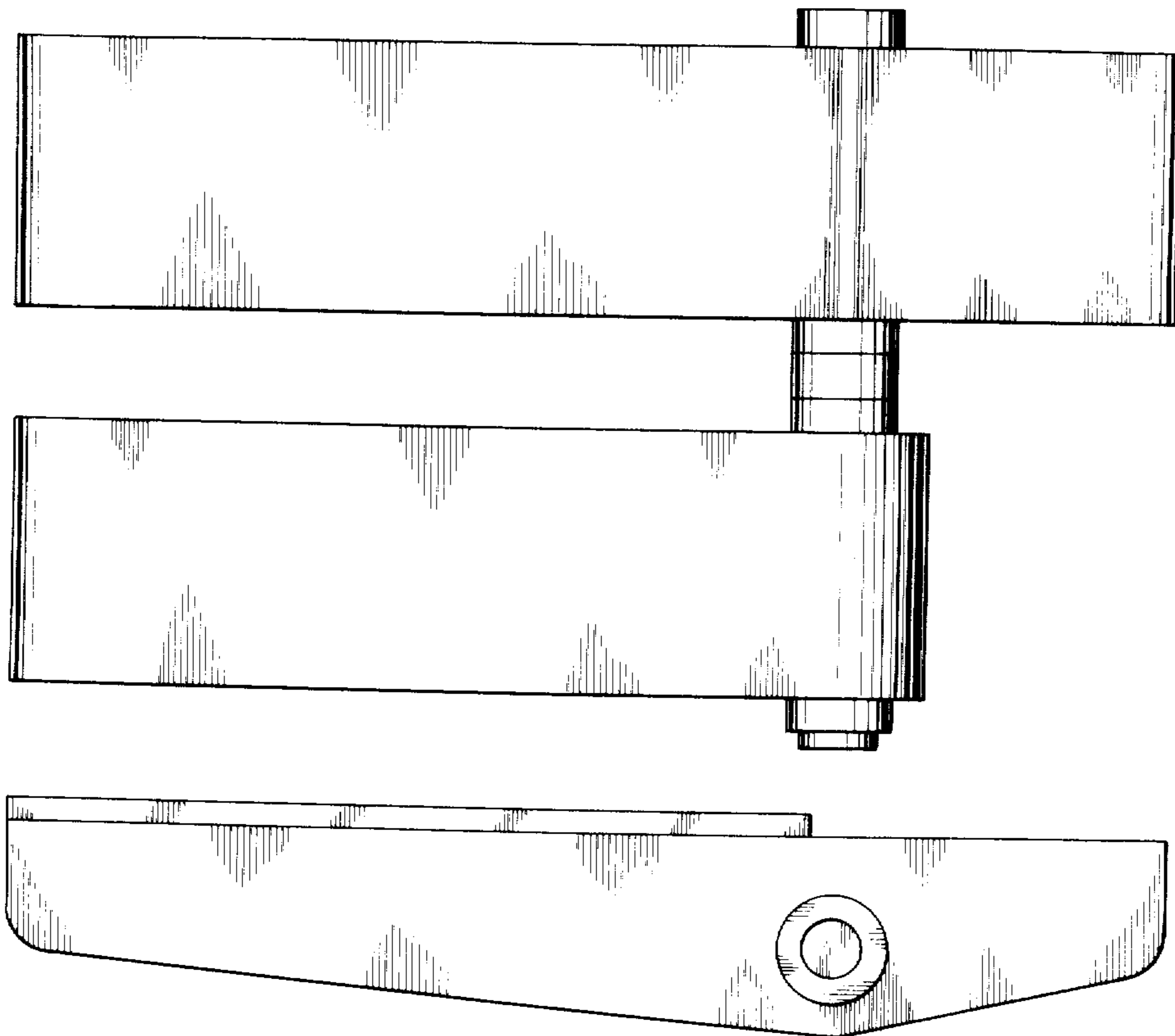
FIG. 4 is an end elevational view taken from the left of FIG. 1;

FIG. 5 is an end elevational view taken from the right of FIG. 1.

[56] **References Cited**

U.S. PATENT DOCUMENTS

77,397 4/1868 Moore et al. 16/191



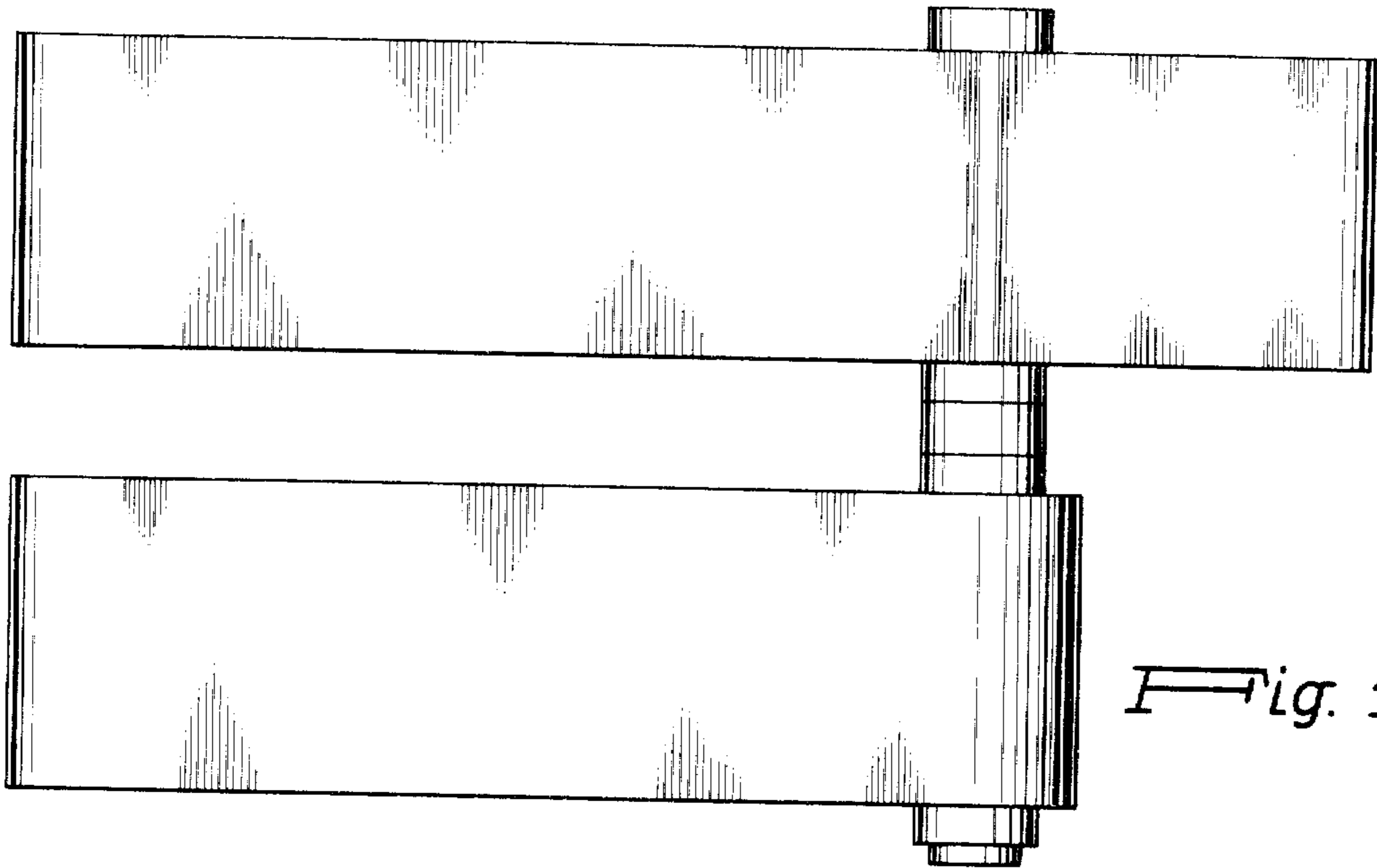


Fig. 1.

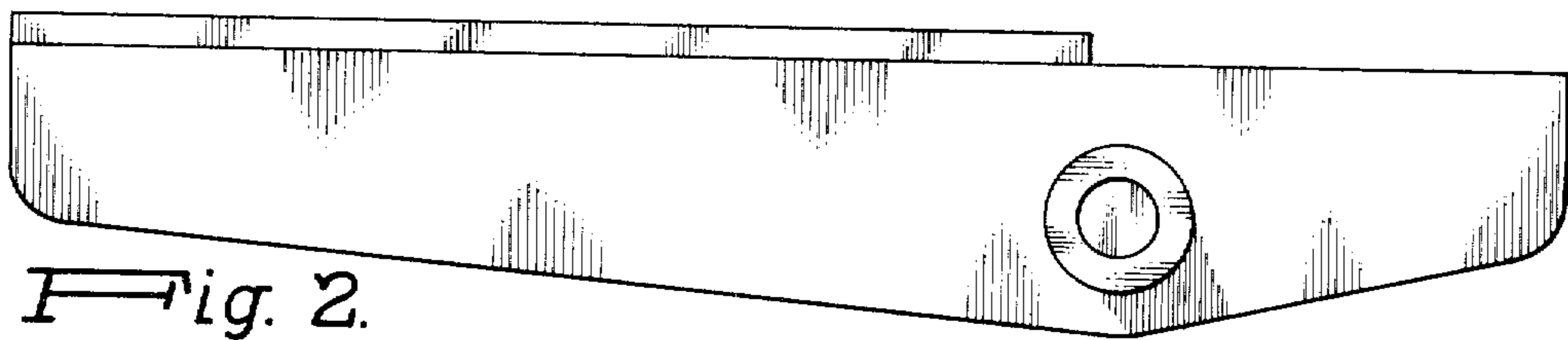


Fig. 2.

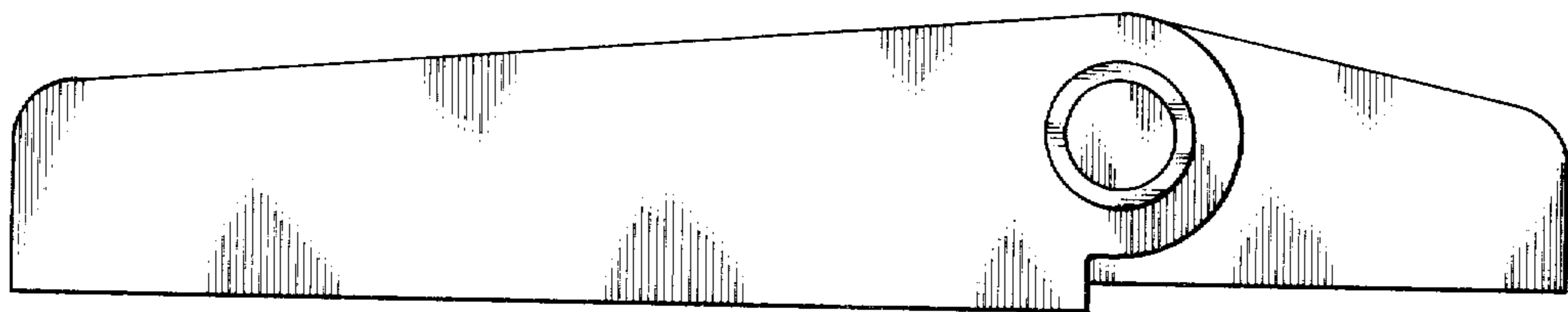


Fig. 3.

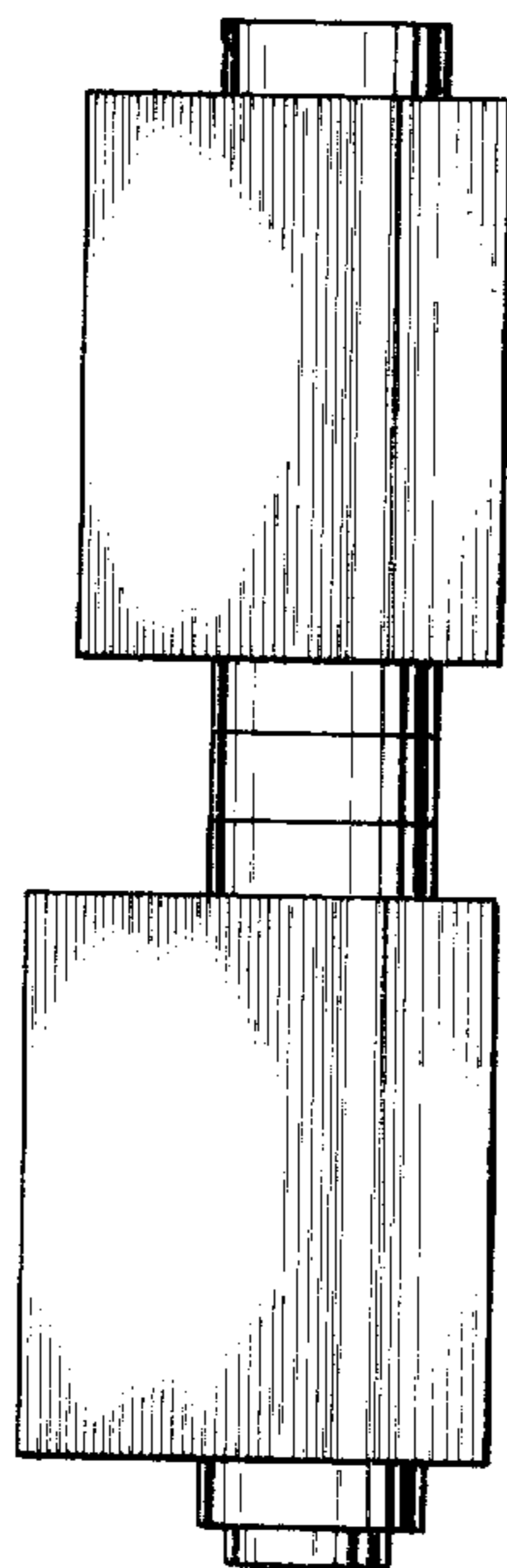


Fig. 4.

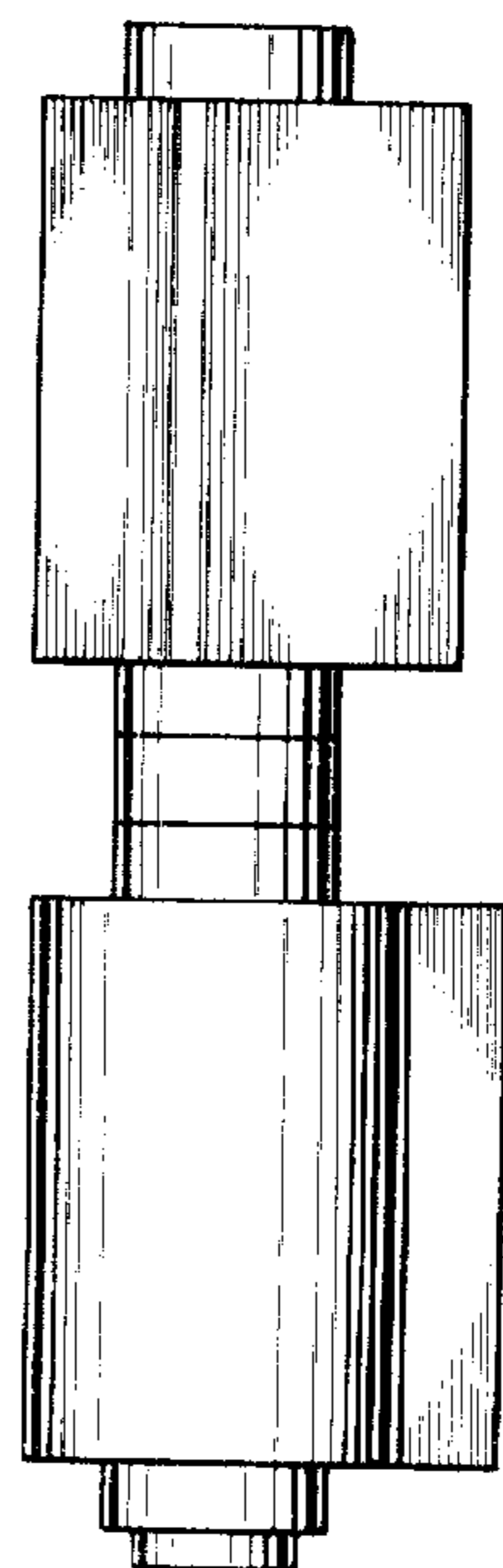


Fig. 5.