

[54] TRIVET

[75] Inventor: William M. Anderson, Jr.,
Lynnwood, Wash.

[73] Assignee: AMG Industries, Inc., Seattle, Wash.

[**] Term: 14 Years

[21] Appl. No.: 122,887

[22] Filed: Feb. 20, 1980

[51] Int. Cl. D7-06

[52] U.S. Cl. D7/130

[58] Field of Search D7/21, 37, 45, 94, 125,
D7/129, 130; D25/87, 88; 248/127, 128

[56] References Cited

U.S. PATENT DOCUMENTS

- D. 205,716 9/1966 Christoffersen D7/130
- D. 246,883 1/1978 DiRuscio D7/130

OTHER PUBLICATIONS

W. Bell & Co. Catalogue, 1979, p. 294, trivet M in bot-
tom center.

The Amana Radar Range Microwave Oven Cookbook,
pp. 12 and 13, 1977, trivet in lower left of p. 13.

Primary Examiner—Leland A. Sebastian

Attorney, Agent, or Firm—Graybeal & Uhler

[57] CLAIM

The ornamental design for a trivet, substantially as
shown.

DESCRIPTION

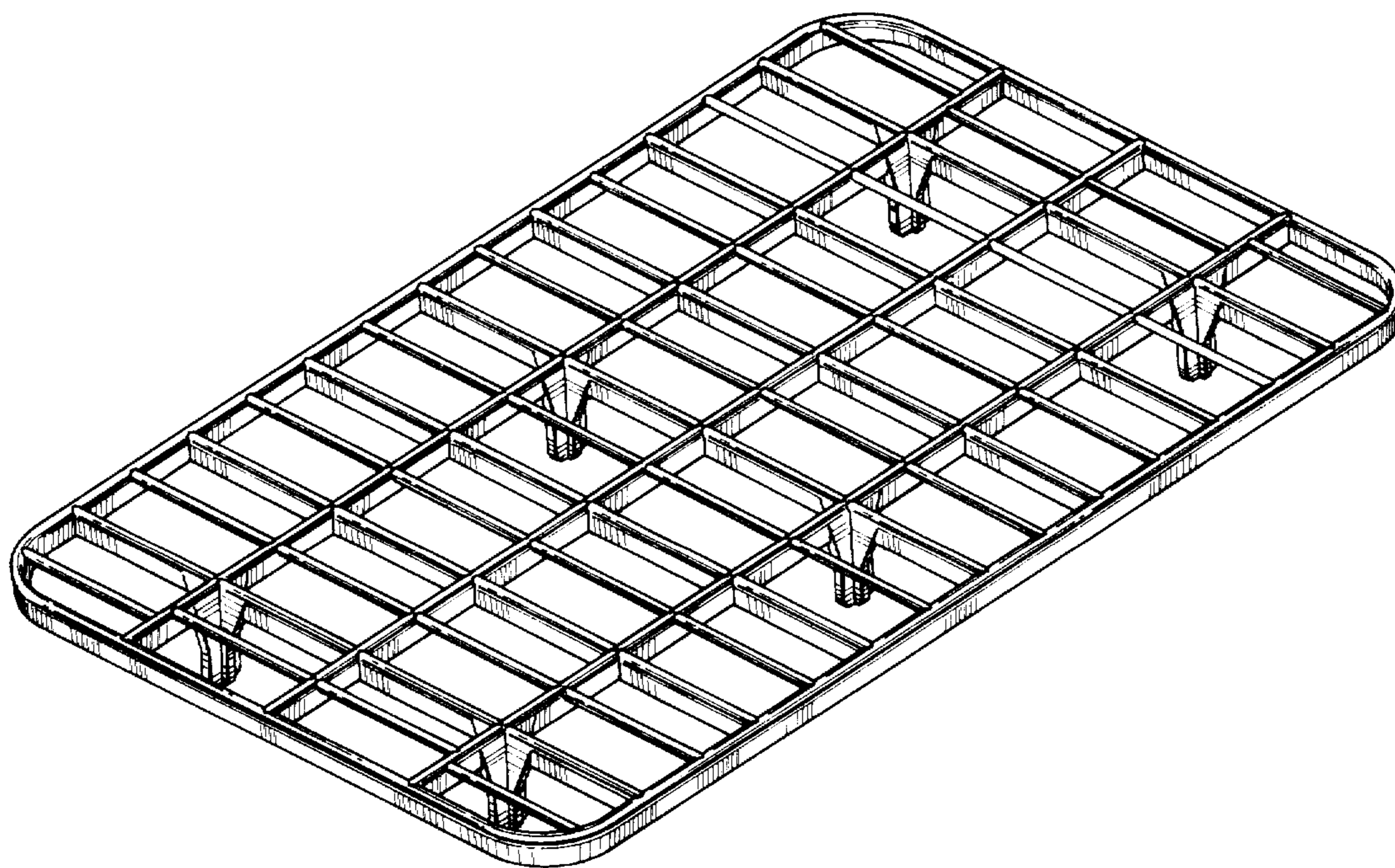
FIG. 1 is a top perspective view of a trivet, showing my
new design;

FIG. 2 is a side elevational view thereof;

FIG. 3 is an end elevational view thereof;

FIG. 4 is a top plan view thereof; and

FIG. 5 is a bottom plan view thereof.



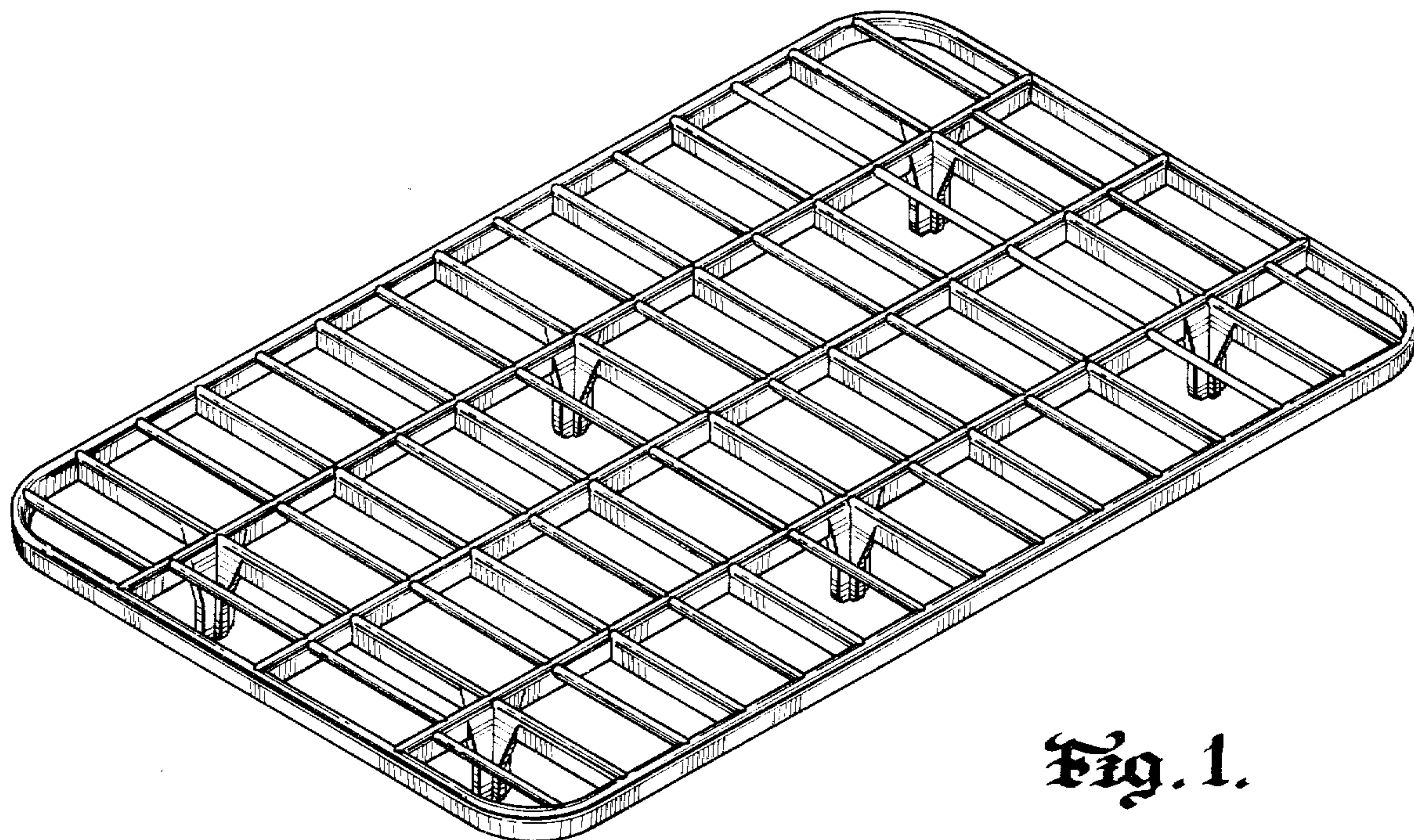


Fig. 1.

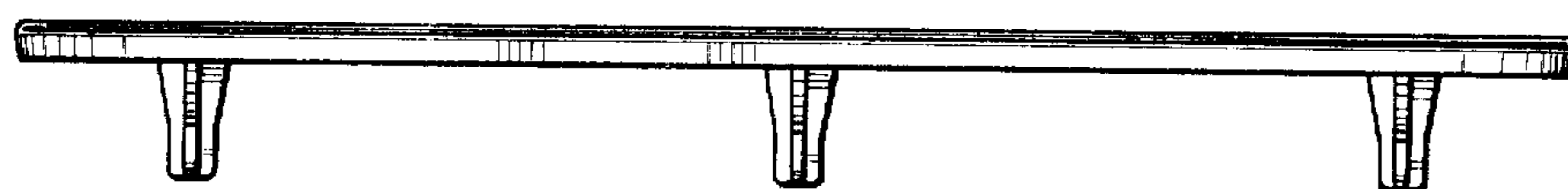


Fig. 2.

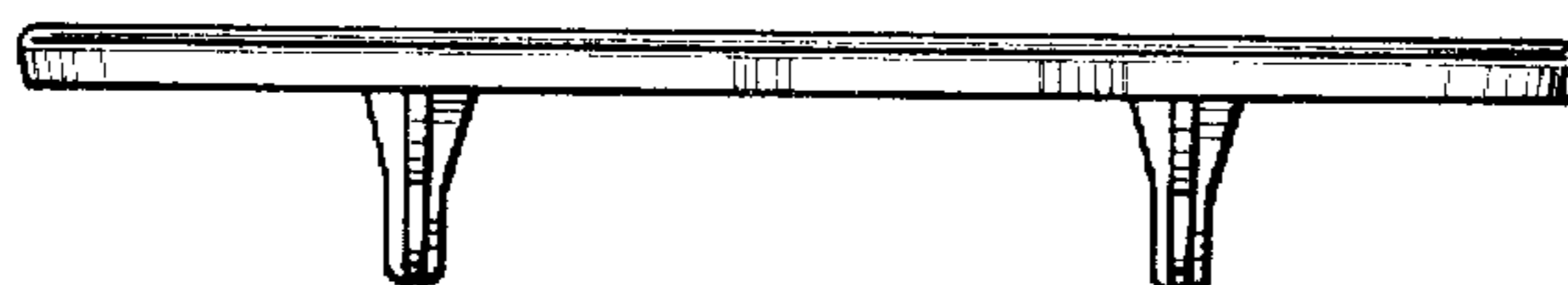


Fig. 3.

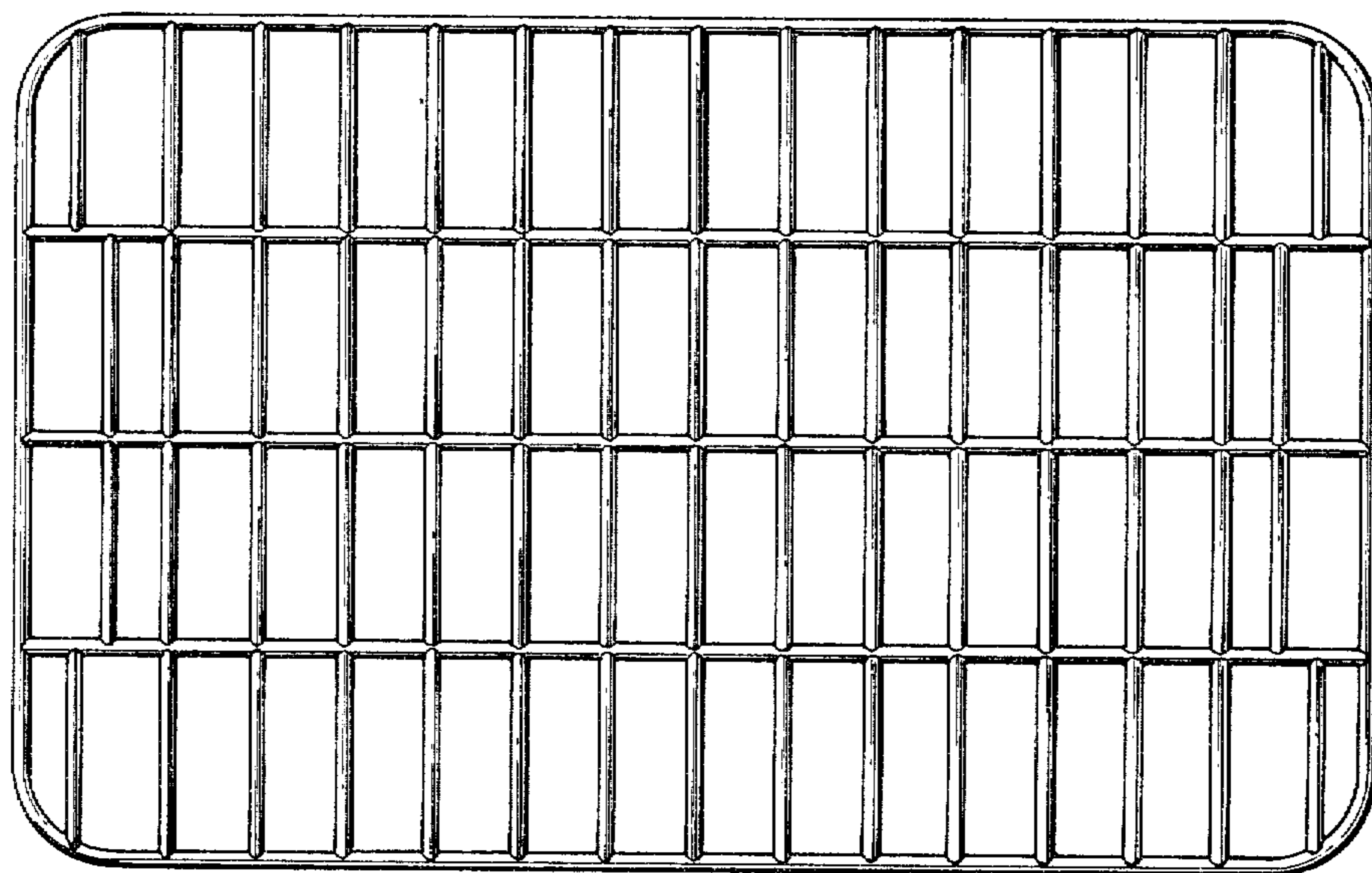


Fig. 4.

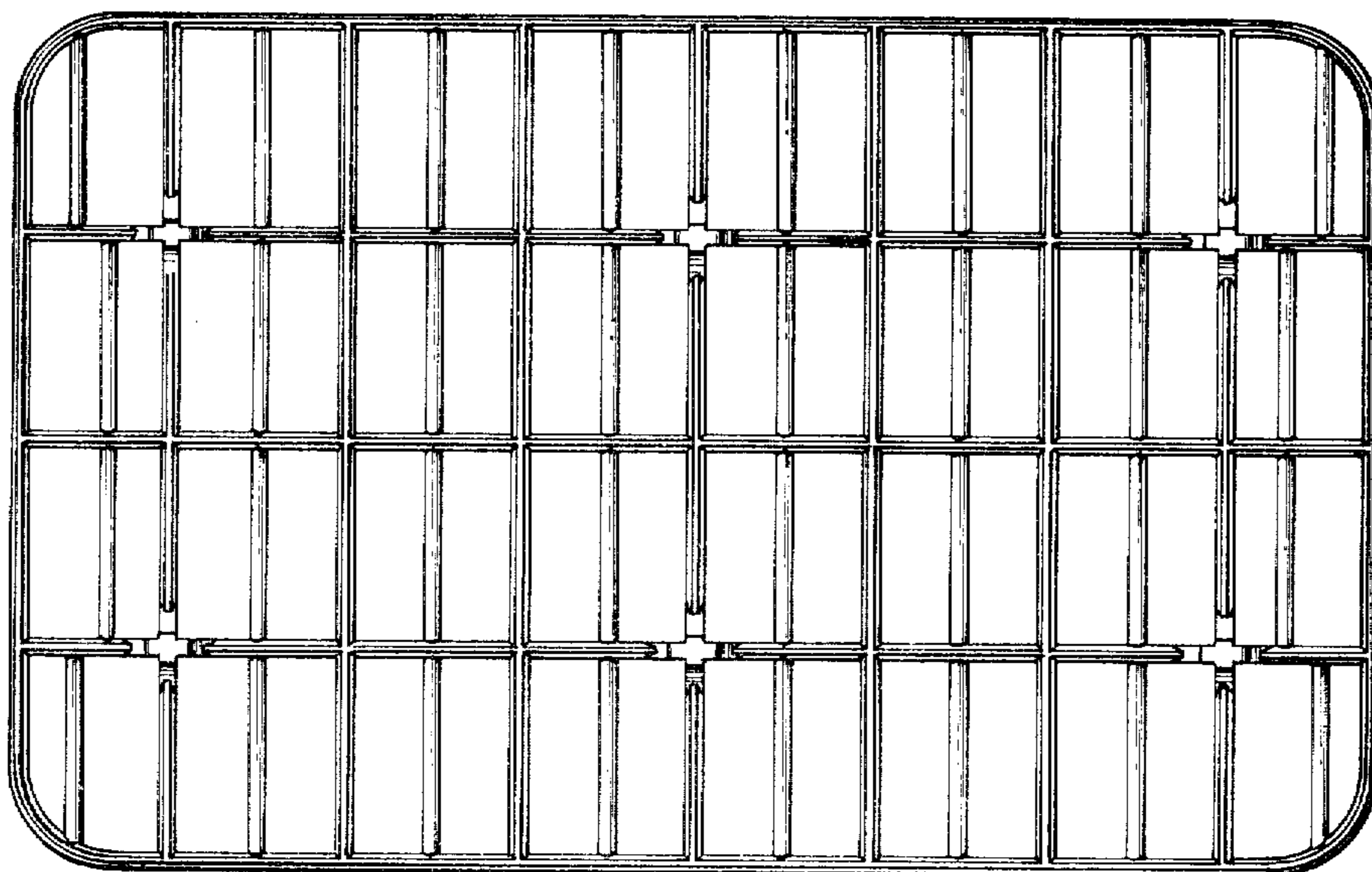


Fig. 5.