

[54] PORTABLE BARBECUE
[76] Inventor: Charles N. Boyd, 904 Joni La.,
Redlands, Calif. 92373
[**] Term: 14 Years
[21] Appl. No.: 124,583
[22] Filed: Feb. 25, 1980
[51] Int. Cl. D7-02
[52] U.S. Cl. D7/107
[58] Field of Search D7/107, 108, 109, 110;
126/25 R, 25 A, 25 AA, 25 B, 25 C, 29, 30, 9 R,
9 A, 9 B

[56] **References Cited**
U.S. PATENT DOCUMENTS
D. 247,661 4/1978 Willard et al. D7/107
2,827,846 3/1958 Karkling D7/107 X

3,079,854 3/1963 Shepherd 126/25 R X
3,127,888 4/1964 Burnham, Jr. et al. 126/25 R

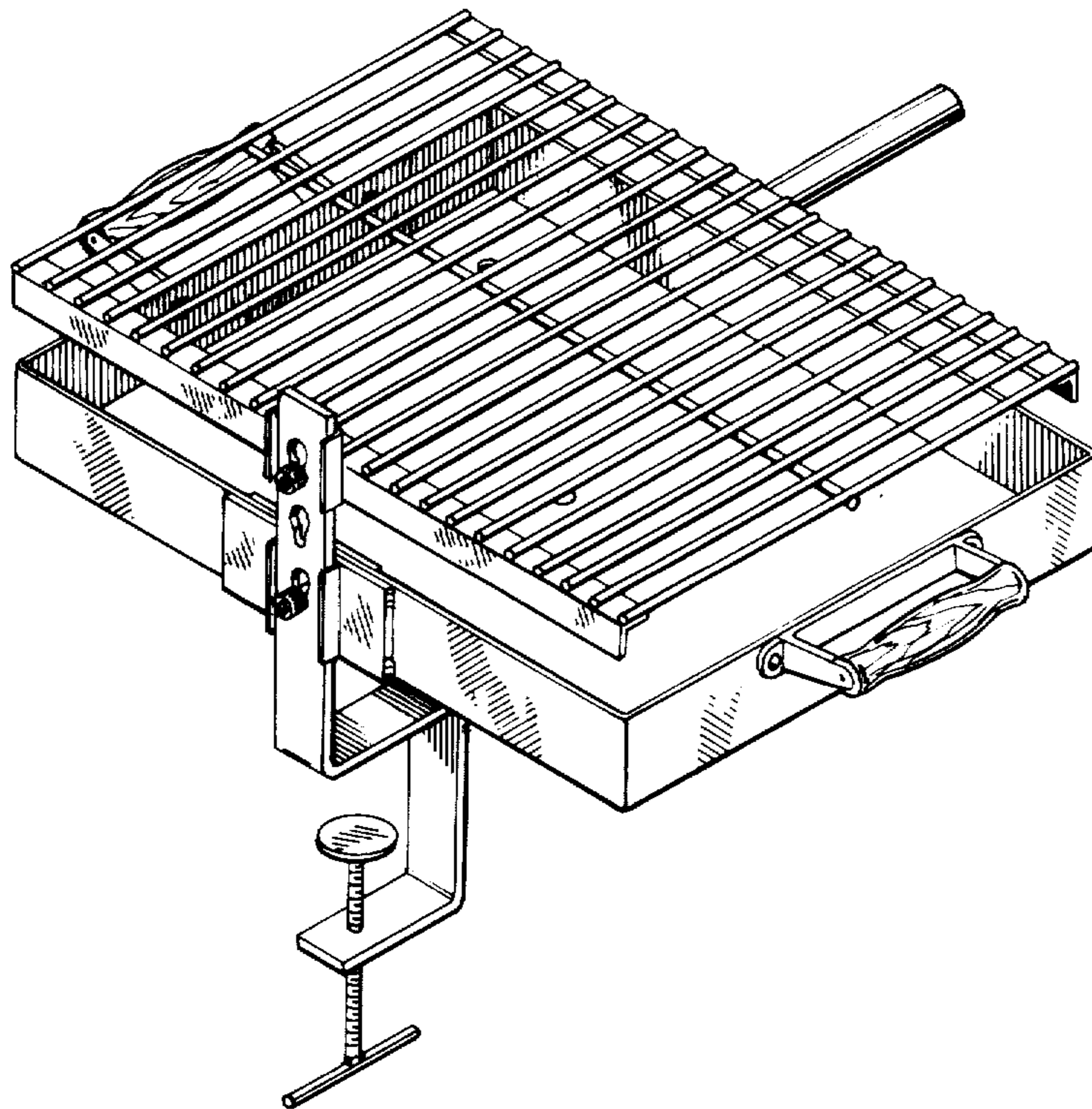
Primary Examiner—Catherine E. Kemper
Attorney, Agent, or Firm—John H. Crowe

[57] **CLAIM**

The ornamental design for a portable barbecue, substantially as shown and described.

DESCRIPTION

FIG. 1 is a perspective view of a portable barbecue showing my new design.
FIG. 2 is a side elevational view of the portable barbecue, the opposite side elevational view being a mirror image thereof.
FIG. 3 is a top plan view thereof.
FIG. 4 is a front elevational view of the portable barbecue.
FIG. 5 is a rear elevational view thereof.
FIG. 6 is a bottom plan view thereof.



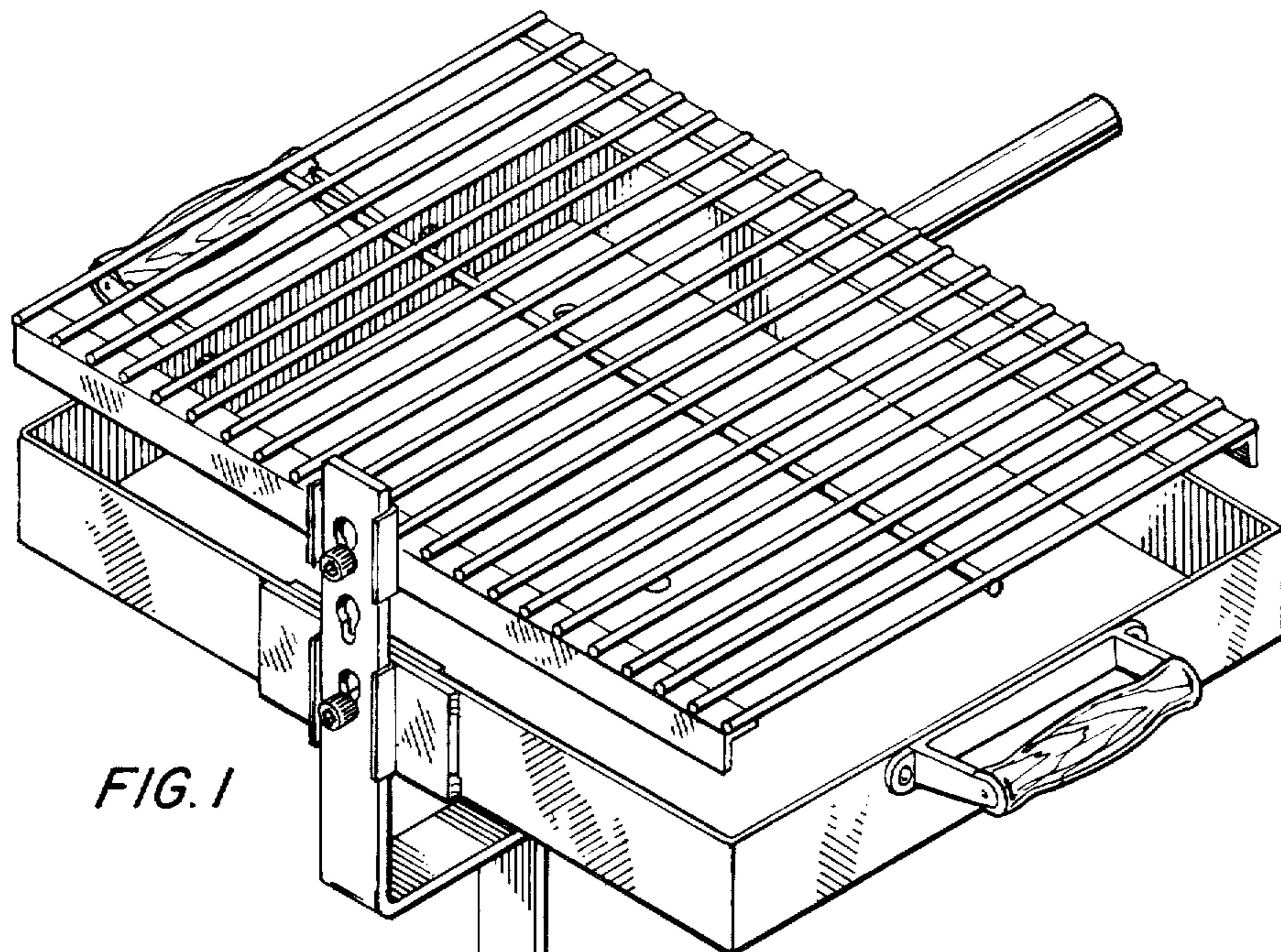


FIG. 1

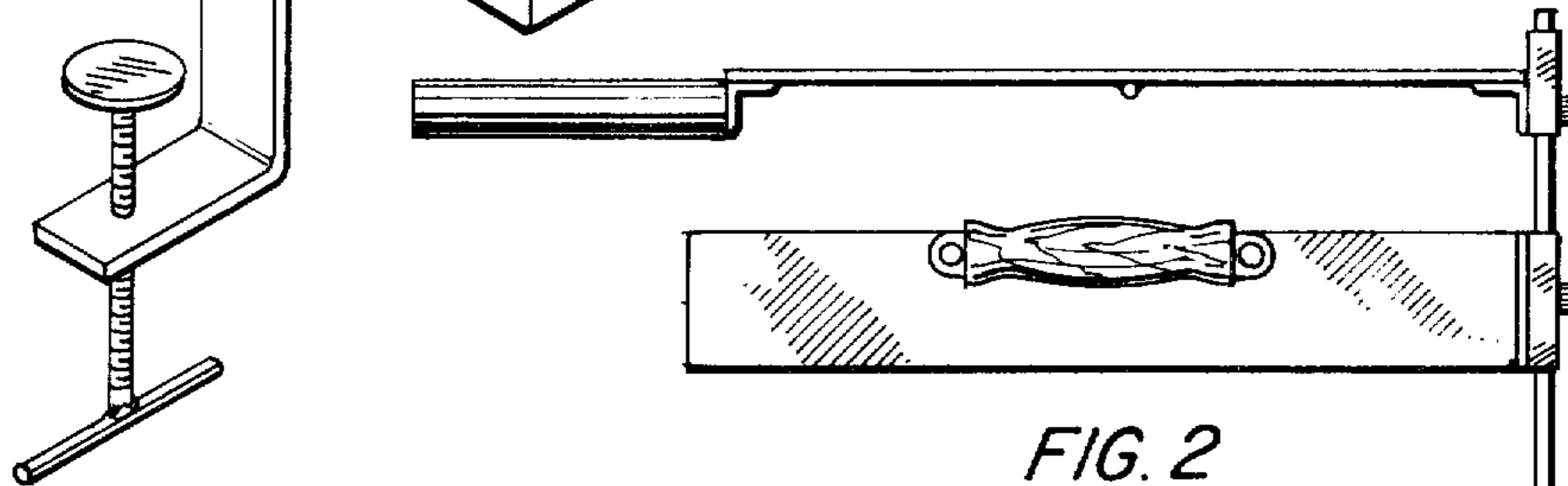


FIG. 2

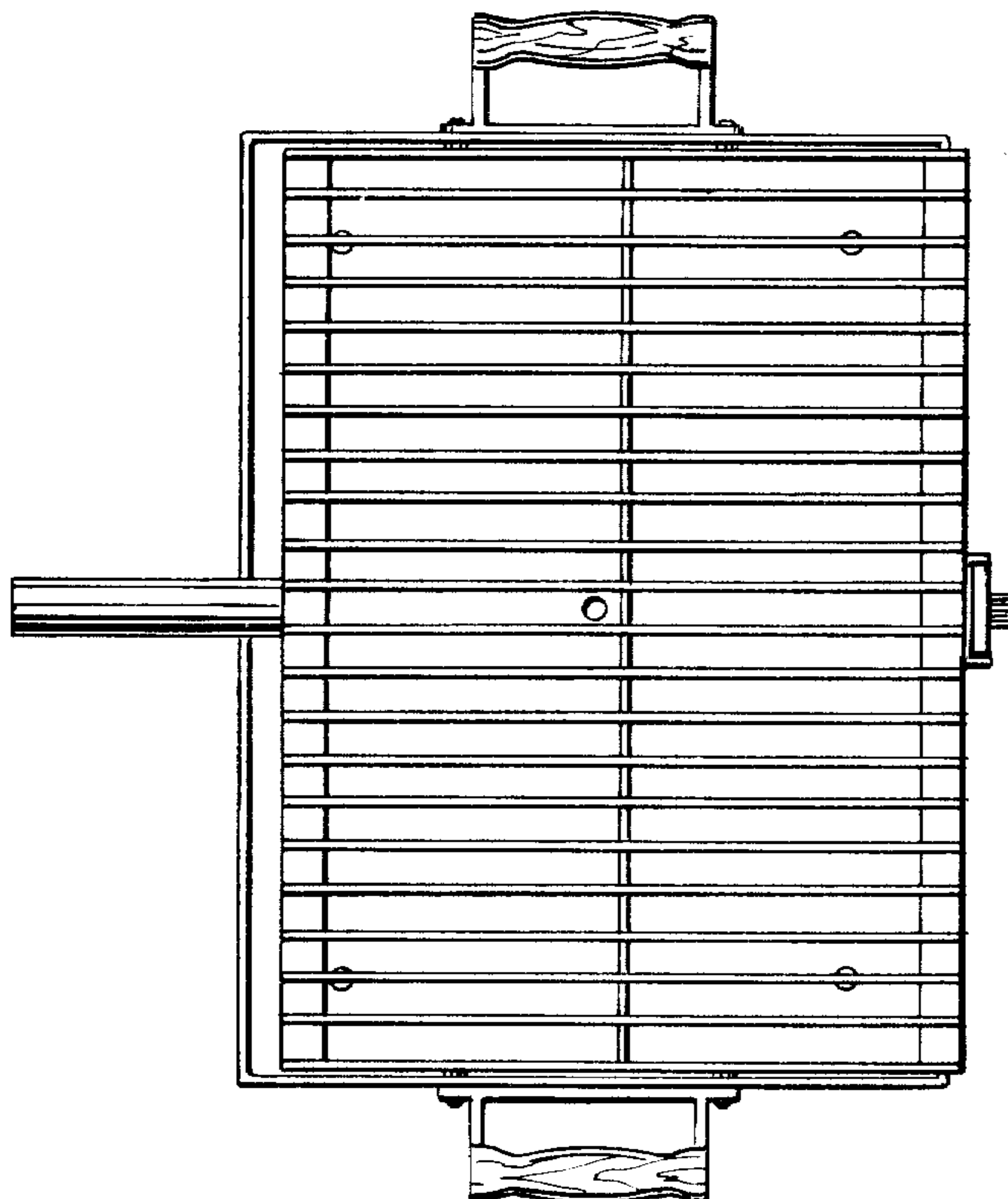


FIG. 3

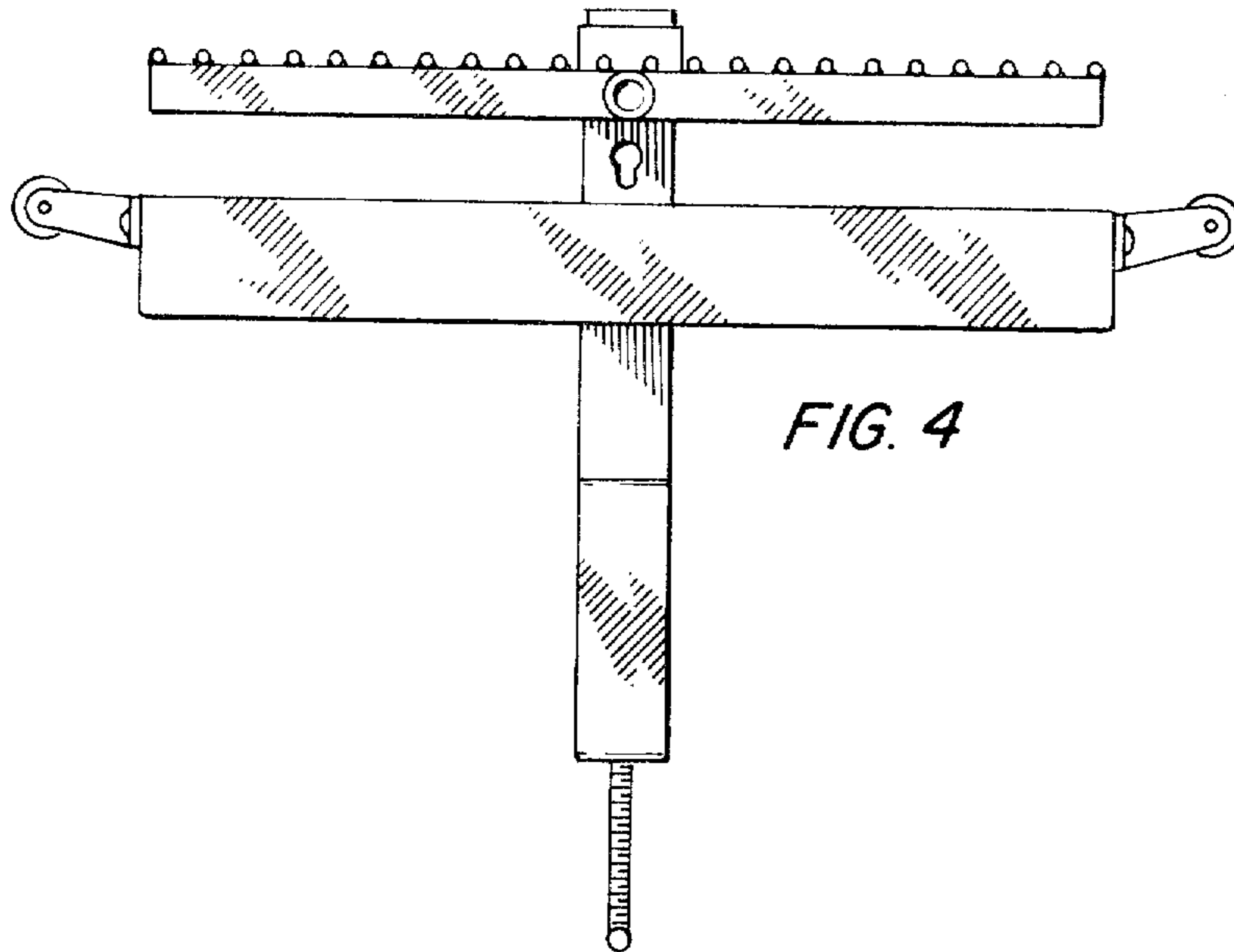


FIG. 4

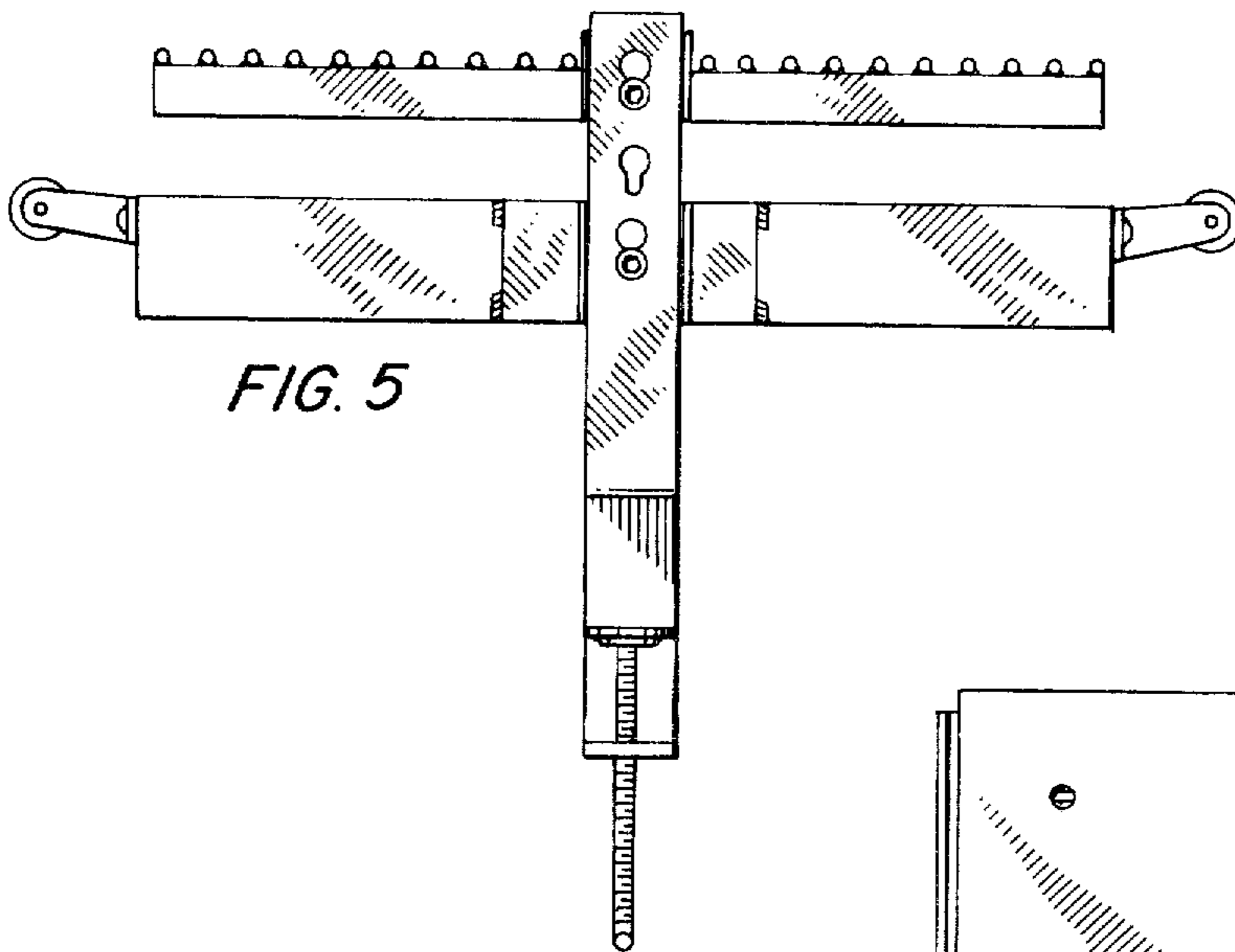


FIG. 5

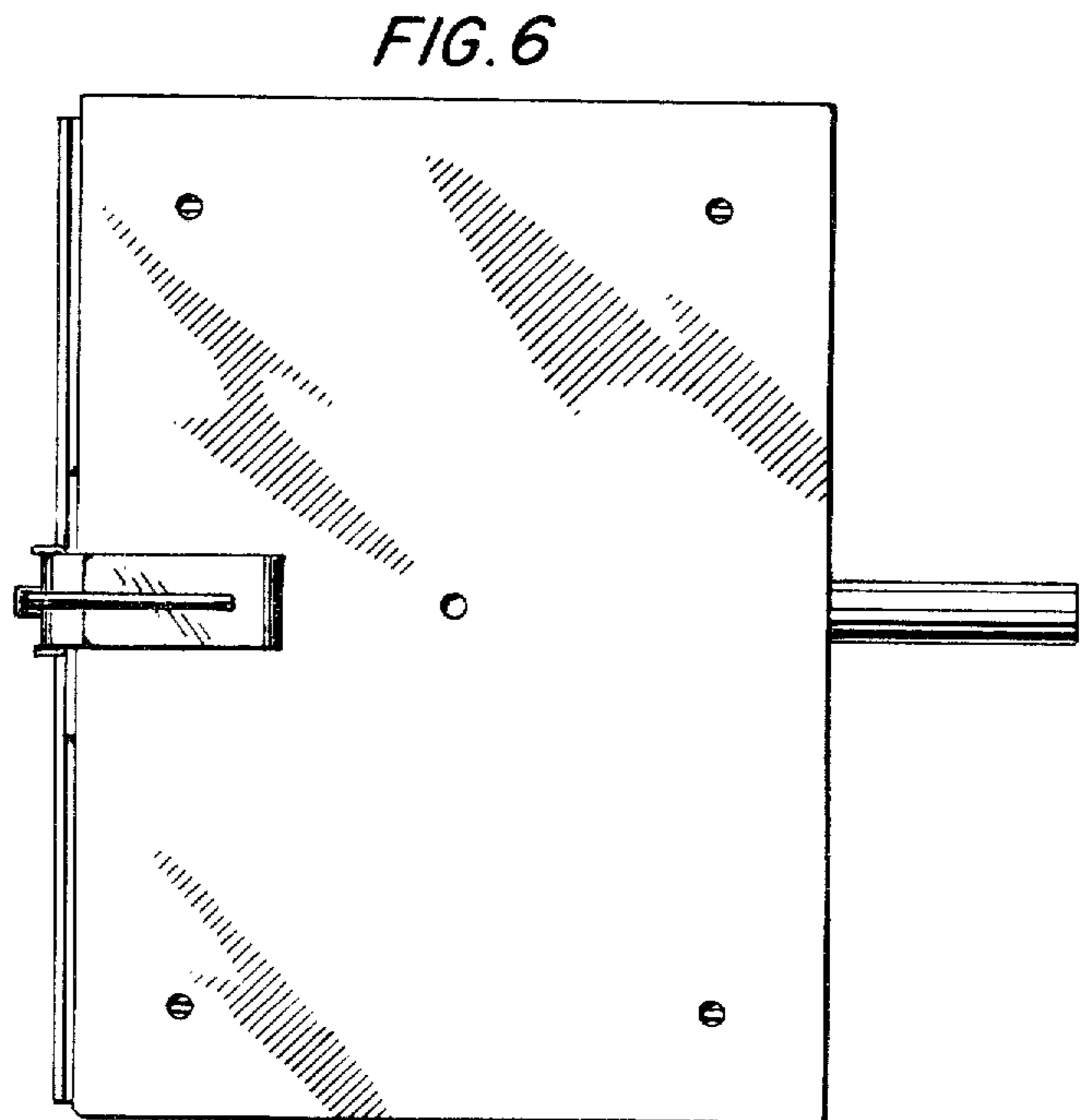


FIG. 6