

- [54] **DRAWER RUNNER**
- [75] Inventors: **Leon G. Litchfield; Terence Hardy,**
both of Belper, England
- [73] Assignee: **L.B. (Plastics) Limited,** Derby,
England
- [**] Term: **14 Years**
- [21] Appl. No.: **81,347**
- [22] Filed: **Oct. 3, 1979**
- [30] **Foreign Application Priority Data**
Apr. 12, 1979 [GB] United Kingdom 989482
- [51] Int. Cl. **D6—06**
- [52] U.S. Cl. **D6/191**
- [58] Field of Search D6/191; 312/330, 333,
312/339, 350, 351
- [56] **References Cited**
U.S. PATENT DOCUMENTS
D. 218,321 8/1970 Vander Ley D6/191

D. 240,585	7/1976	Kaplan	D6/191
2,614,022	10/1952	Kurtzon	312/339
3,099,501	7/1963	Hillson et al.	312/341 R
3,664,716	5/1972	Johnson	312/339 X
3,701,577	10/1972	Fischer	312/339
3,995,927	12/1976	Stein	312/333
4,162,114	7/1979	Litchfield et al.	312/350 X

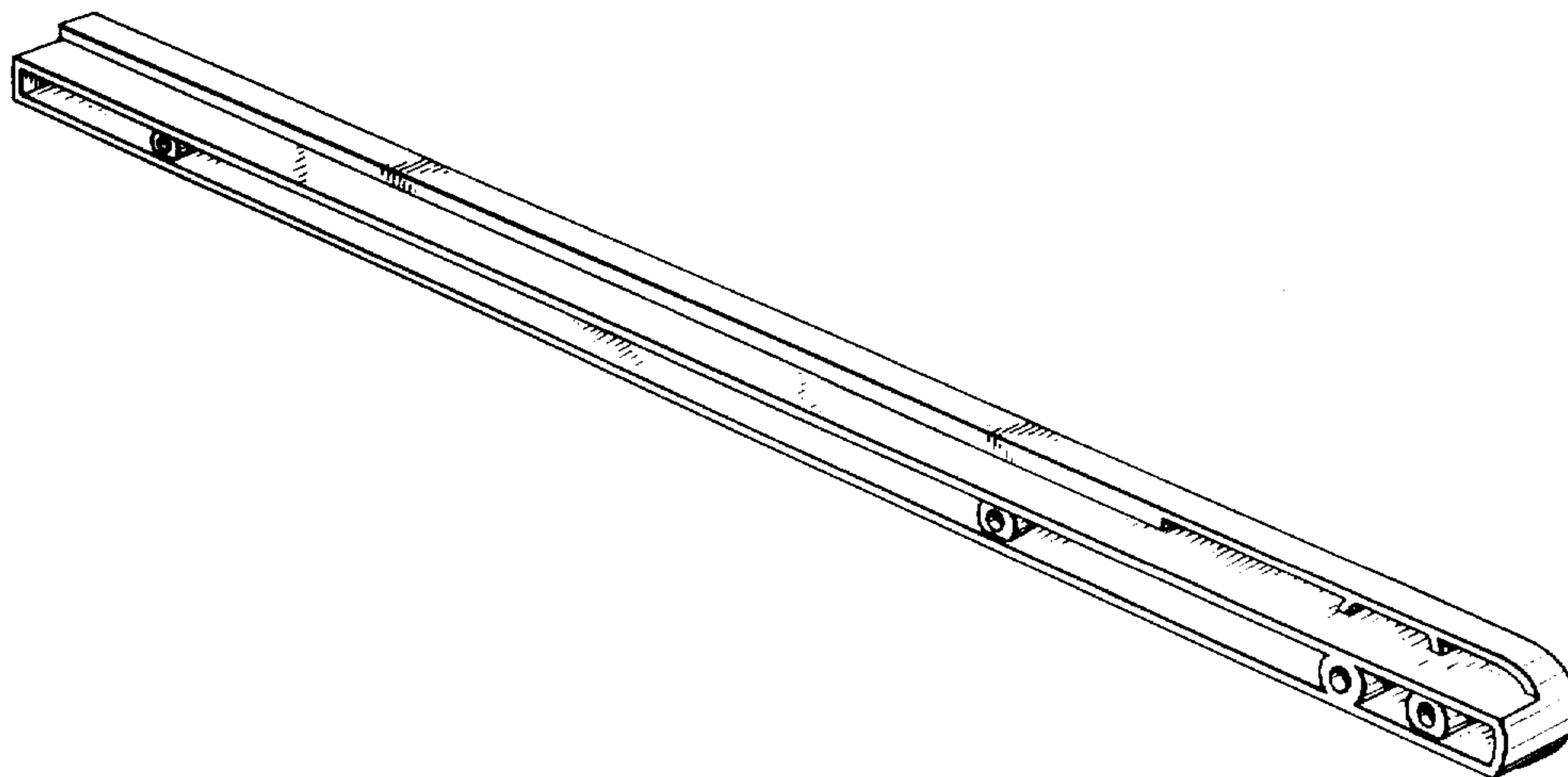
Primary Examiner—Bruce W. Dunkins
Attorney, Agent, or Firm—C. O. Marshall, Jr.

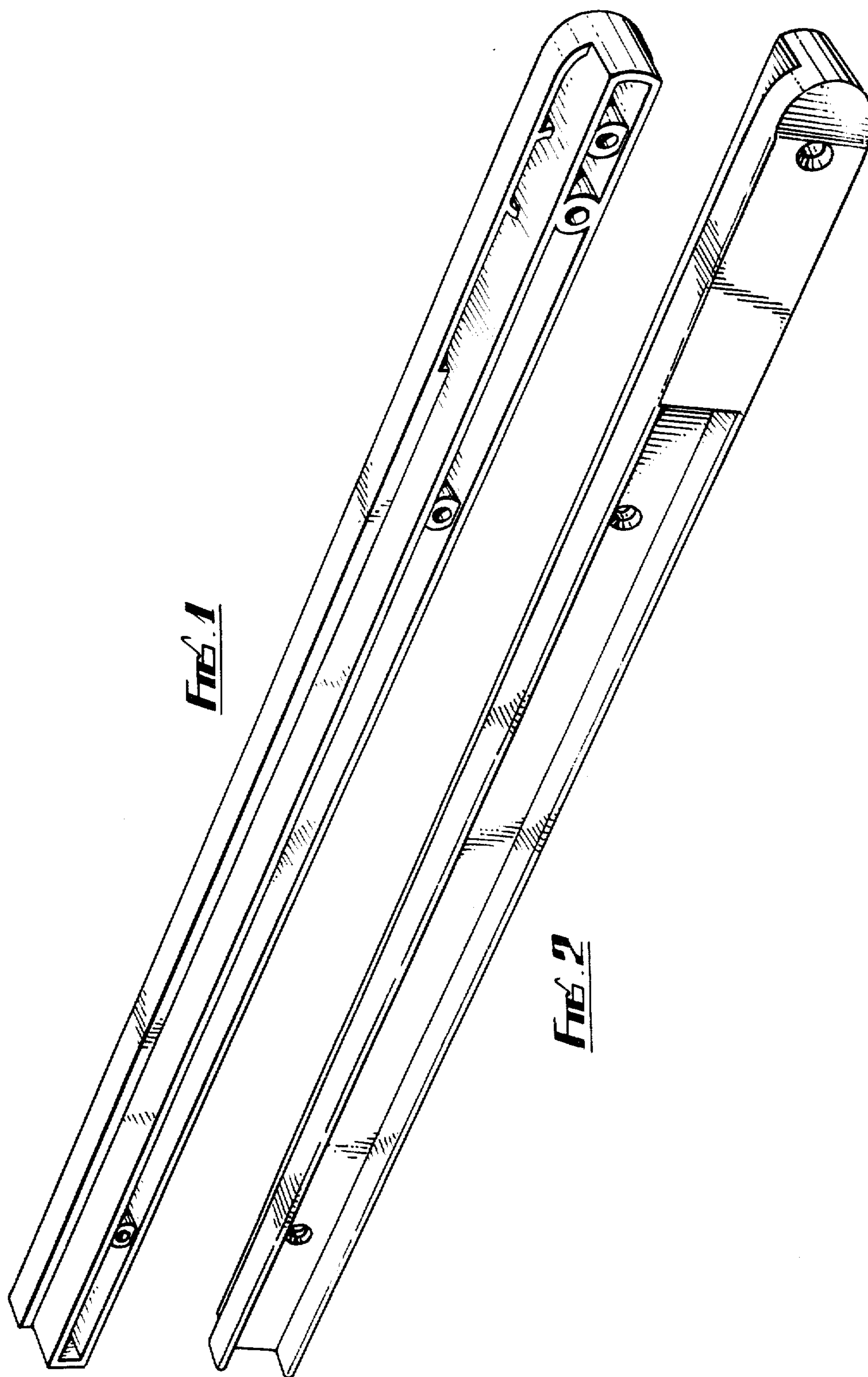
[57] **CLAIM**

The ornamental design for a drawer runner, as shown and described.

DESCRIPTION

FIG. 1 is a perspective view of the drawer runner from above and one side showing our design;
FIG. 2 is a perspective view of the drawer runner from above and the other side;
FIG. 3 is a side view of the runner;
FIG. 4 is a plan view of the runner;
FIG. 5 is a front view of the runner; and
FIG. 6 is a rear view of the runner.





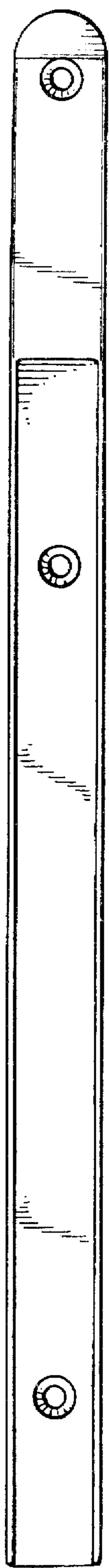


FIG. 3

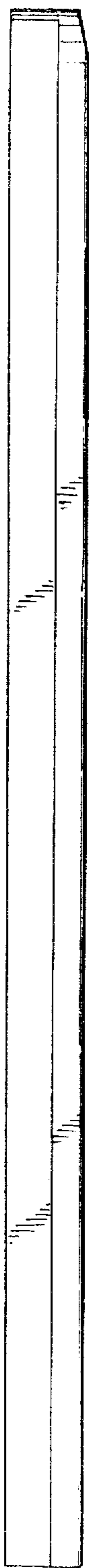


FIG. 4



FIG. 5



FIG. 6